



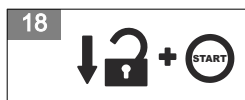
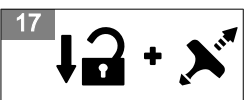
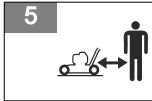
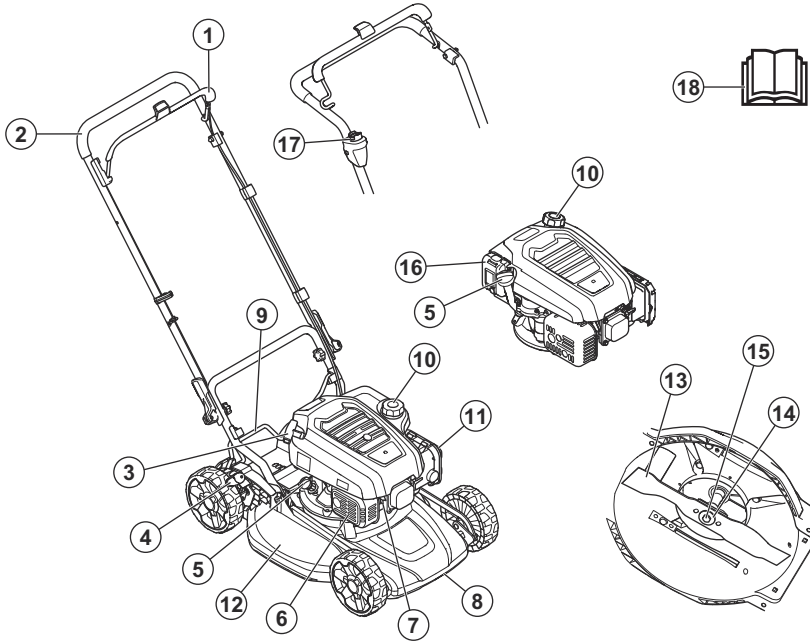
Husqvarna®



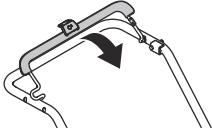
LB 144, LB 244E



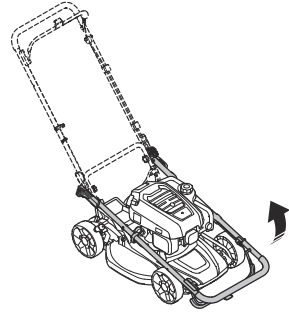
EN	Operator's manual	7-21
BG	Ръководство за експлоатация	22-38
CS	Návod k použití	39-53
DA	Brugsanvisning	54-68
DE	Bedienungsanweisung	69-84
EL	Οδηγίες χρήσης	85-100
ES	Manual de usuario	101-116
ET	Kasutusjuhend	117-130
FI	Käyttöohje	131-145
FR	Manuel d'utilisation	146-161
HR	Priručnik za korištenje	162-176
HU	Használati utasítás	177-191
IT	Manuale dell'operatore	192-207
LT	Operatoriaus vadovas	208-222
LV	Lietošanas pamācība	223-237
NL	Gebbruiksaanwijzing	238-252
NO	Bruksanvisning	253-266
PL	Instrukcja obsługi	267-282
PT	Manual do utilizador	283-298
RO	Instrucțiuni de utilizare	299-313
RU	Руководство по эксплуатации	314-330
SK	Návod na obsluhu	331-345
SL	Navodila za uporabo	346-359
SR	Priručnik za rukovaoca	360-374
SV	Bruksanvisning	375-388
TR	Kullanım kılavuzu	389-403
UK	Посібник користувача	404-419



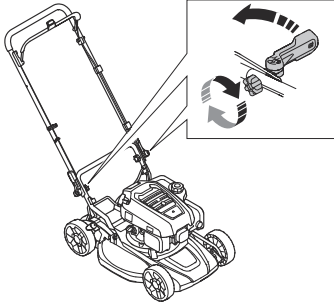
19



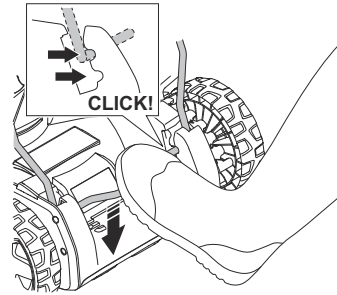
20



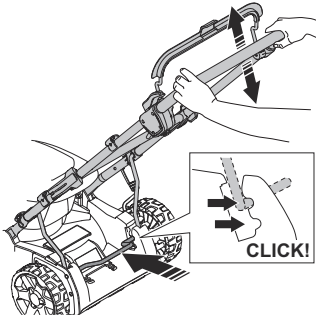
21



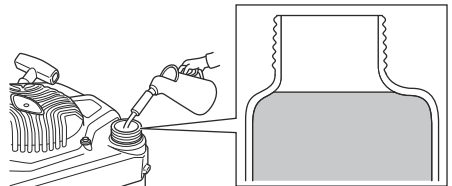
22



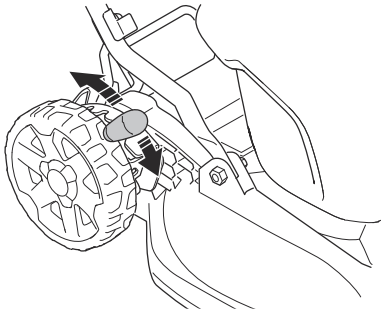
23



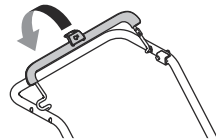
24



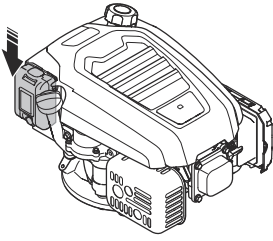
25



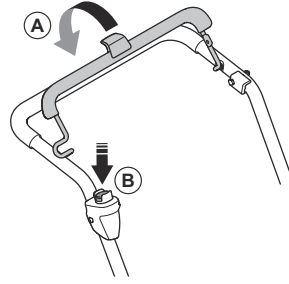
26



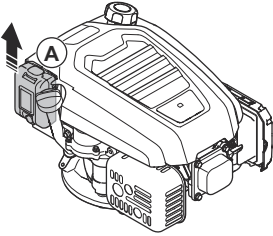
27



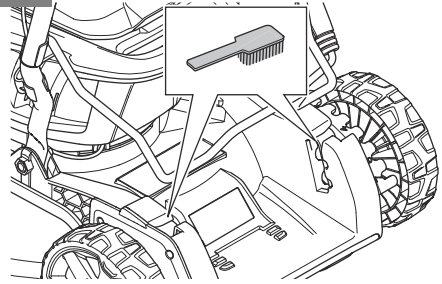
28



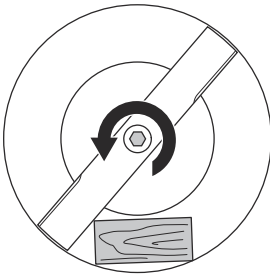
29



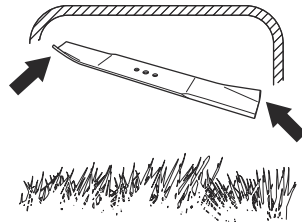
30



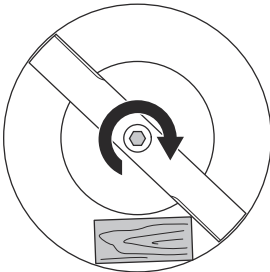
31



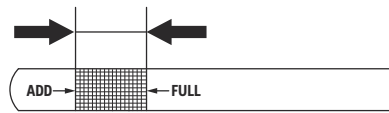
32

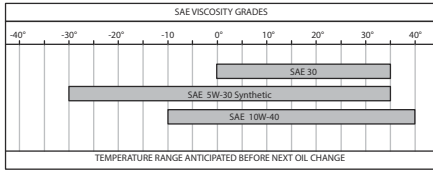
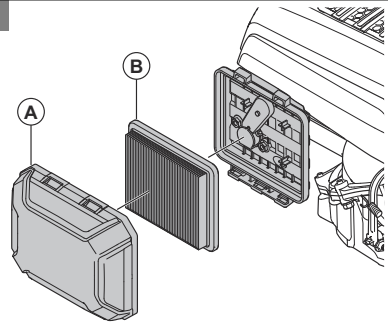
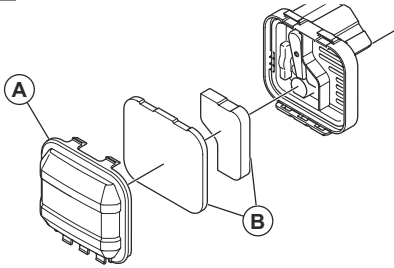
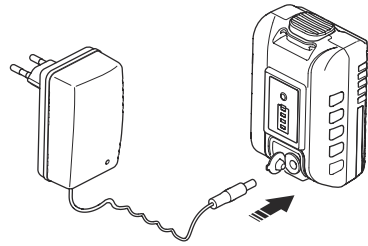
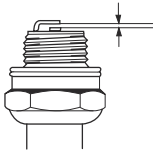
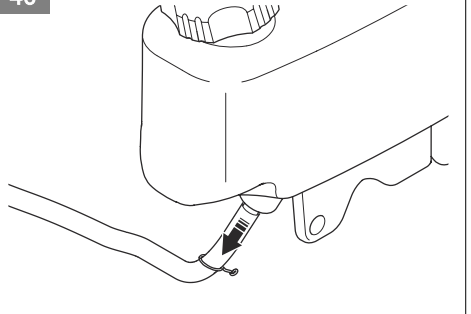
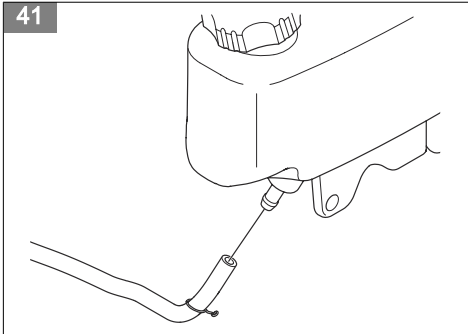
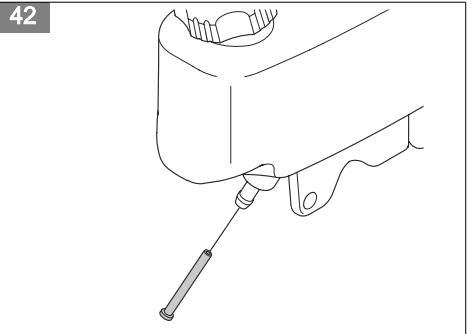


33

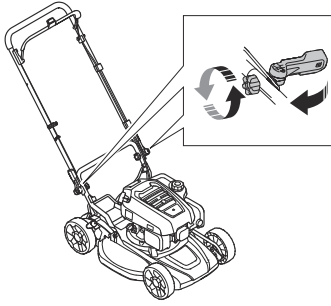


34

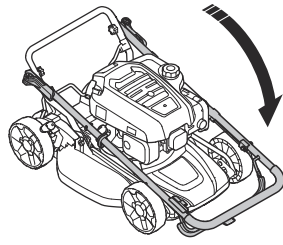


35**36****37****38****39****40****41****42**

43



44



Contents

Introduction.....	7	Engine troubleshooting.....	16
Safety.....	8	Transportation, storage and disposal.....	17
Assembly.....	11	Technical data.....	18
Operation.....	11	Declaration of Conformity.....	20
Maintenance.....	12		

Introduction

Product description

The product is a pedestrian-controlled rotary lawn mower that uses BioClip to cut the grass into fertilizer.

Intended use

Use the product to cut grass. Do not use the product for other tasks.

Product overview

(Fig. 1)

1. Engine brake handle
2. Handle/Handlebar
3. Starter rope handle (LB 144)
4. Cutting height lever
5. Oil cap and dipstick
6. Muffler
7. Spark plug
8. Lift handle
9. Height adjustment bail for the handlebar
10. Fuel tank cap
11. Air filter
12. Cutting cover
13. Blade
14. Spring washer
15. Blade bolt
16. Battery, safety device (LB 244E)
17. Electrical starter button (LB 244E)
18. Operator's manual

(Fig. 7)

Warning: Keep hands and feet away from rotating parts.

(Fig. 8)

Stop the engine and remove the ignition cable before repairs or maintenance.

(Fig. 9)

This product is in accordance with applicable EC directives.

(Fig. 10)

Noise emission to the environment label as per EU and UK directives and regulations, and New South Wales legislation "Protection of the Environment Operations (Noise Control) Regulation 2017". The guaranteed sound power level of the product is specified in *Technical data on page 18* and on the label.

(Fig. 11)

This product conforms to applicable UK regulations.

(Fig. 12)

Risk of fire.

(Fig. 13)

Do not breathe in exhaust fumes. The exhaust fumes from the engine contain carbon monoxide, an odourless, poisonous and very dangerous gas. Do not start the engine indoors or in closed spaces.

(Fig. 14)

Hot surface.

(Fig. 16)

Fill the engine with oil before you start the product.

(Fig. 17)

Start procedure for LB 144: Push the engine brake handle down and pull the starter rope handle.

Symbols on the product

(Fig. 2)

WARNING! Be careful and use the product correctly. This product can cause serious injury or death to the operator or others.

(Fig. 3)

Please read the operator's manual carefully and make sure that you understand the instructions before use.

(Fig. 4)

Look out for thrown objects and ricochets.

(Fig. 5)

Keep persons and animals at a safe distance from the work area.

(Fig. 6)

Warning: Keep hands and feet away from the rotating blade.

(Fig. 18)

Start procedure for LB 244E:
Push the engine brake handle
down and push the start but-
ton.

- the product is incorrectly repaired.
- the product is repaired with parts that are not from the manufacturer or not approved by the manufacturer.
- the product has an accessory that is not from the manufacturer or not approved by the manufacturer.
- the product is not repaired at an approved service center or by an approved authority.

(Fig. 15) Scannable code.

Note: Other symbols/decals on the product refer to certification requirements for other commercial areas.

Product damage

We are not responsible for damages to our product if:



WARNING: Tampering with the engine voids the EU type-approval of this product.

Safety

Safety definitions

Warnings, cautions and notes are used to point out specially important parts of the manual.



WARNING: Used if there is a risk of injury or death for the operator or bystanders if the instructions in the manual are not obeyed.



CAUTION: Used if there is a risk of damage to the product, other materials or the adjacent area if the instructions in the manual are not obeyed.

Note: Used to give more information that is necessary in a given situation.

General safety instructions



WARNING: Read the warning instructions that follow before you use the product.

- This product is dangerous if used incorrectly or if you are not careful. Injury or death can occur if you do not obey the safety instructions.
- This product produces an electromagnetic field during operation. This field may under some circumstances interfere with active or passive medical implants. To reduce the risk of serious or fatal injury we recommend persons with medical implants to consult their physician and the medical implant manufacturer before operating this product.
- Always be careful and use your common sense. If you are not sure how to operate the product in a special situation, stop and speak to your Husqvarna dealer before you continue.

- Keep in mind that the operator will be held responsible for accidents that involve other persons or their property.
- Keep the product clean. Make sure that you can clearly read signs and decals.
- Do not let a person use the product unless you make sure that they read and understand the contents of the operator's manual.
- Do not let a child operate the product.
- Keep children away from the work area. A responsible adult must be there at all times.
- Do not let a person, without knowledge of the instructions, operate the product.
- Always monitor a person, with decreased physical capacity or mental capacity, that uses the product. A responsible adult must be there at all times.
- Do not use the product if you are tired, ill, or under the influence of alcohol, drugs or medicine. This has a negative effect on your vision, alertness, coordination and judgment.
- Do not use a product that is damaged or does not operate correctly.
- Do not change this product or use it if it is possible that it has been changed by others.
- Do not change the adjustment for the engine speed control.

Work area safety



WARNING: Read the warning instructions that follow before you use the product.

- Remove objects such as branches, twigs and stones from the work area before you use the product.
- Objects that hit against the cutting equipment can eject and cause damage to persons and objects. Keep bystanders and animals at a safe distance from the product.
- Never use the product in bad weather such as fog, rain, strong winds, intense cold and risk of lightning.

To use the product in bad weather or in moist or wet locations is tiring. Bad weather can cause dangerous conditions, such as slippery surfaces.

- Look out for persons, objects and situations that can prevent safe operation of the product.
- Look out for obstacles, such as roots, stones, twigs, pits and ditches. Long grass can hide obstacles.
- To cut grass on slopes can be dangerous. Do not use the product on ground that slopes more than 15°.
- Operate the product across the face of slopes. Do not move up and down.
- Be careful when you go near hidden corners and objects that prevent a clear view.

Work safety



WARNING: Read the warning instructions that follow before you use the product.

- Use this product to cut grass lawns only. It is not permitted to use it for other tasks.
- Use personal protective equipment. Refer to *Personal protective equipment on page 9*.
- Make sure that you know how to stop the engine quickly in an emergency.
- Never start the engine in a closed space or near flammable material. The exhaust fumes from the engine are hot and can contain sparks which can start a fire.
- Do not operate the product unless the blade and all covers are attached correctly. An incorrectly attached blade can come loose and cause personal injury.
- Make sure that the blade does not hit objects such as stones and roots. This can do damage to the blade and bend the engine shaft. A bent axle causes heavy vibration and a very high risk that the blade becomes loose.
- If the blade hits an object or if vibrations occur, stop the product immediately. Disconnect the ignition cable from the spark plug. Examine the product for damages. Repair damages or let an authorised service agent do the repair.
- Never attach the engine brake handle permanently to the handle when the engine is started.
- Put the product on a stable, flat surface and start it. Make sure that the blade does not hit the ground or other objects.
- Always stay behind the product when you operate it.
- Let all the wheels stay on the ground and keep 2 hands on the handle when you operate the product. Keep your hands and feet away from the rotating blades.
- Do not tilt the product when the engine is started.
- Be careful when you pull the product rearward.

- Never lift up the product when the engine is started. If you must lift the product, first stop the engine and disconnect the ignition cable from the spark plug.
- Do not walk rearward when you operate the product.
- Stop the engine when you move across areas without grass, for example paths made of gravel, stone and asphalt.
- Do not run with the product when the engine is started. Always walk when you operate the product.
- Stop the engine before you change the cutting height. Never make adjustments with the engine started.
- Never let the product stay out of view with the engine started. Stop the engine and make sure that the cutting equipment does not rotate.

Safety instructions for operation

Personal protective equipment



WARNING: Read the warning instructions that follow before you use the product.

- Personal protective equipment cannot fully prevent injury but it decreases the degree of injury if an accident does occur. Let your dealer help you select the right equipment.
- Use hearing protection if the noise level is higher than 85 dB.
- Use heavy-duty slip-resistant boots or shoes. Do not use open shoes or go with bare feet.
- Use heavy, long pants.
- Use protective gloves when necessary, for example when you attach, examine or clean the cutting equipment.

Safety devices on the product



WARNING: Read the warning instructions that follow before you use the product.

- Do not use a product with safety devices that are damaged or do not operate correctly.
- Do a check of the safety devices regularly. If the safety devices are damaged or do not operate correctly, speak to your Husqvarna servicing dealer.
- Do not make modifications to safety devices.

To do a check of the cutting cover

The cutting cover decreases vibrations in the product and decreases the risk of injury from the blade.

- Examine the cutting cover to make sure that there are no damages such as cracks.

Battery (LB 244E)



WARNING: A damaged battery decreases the safety of the product. Always use a battery approved by the manufacturer.

The battery gives power to the electrical start and is a safety device that prevents accidental start. Remove the battery when you do not operate the product and when you let it stay out of view.

To do a check of the engine brake handle

The engine brake handle stops the engine. When the engine brake handle is released, the engine stops.

- Start the engine and then release the engine brake handle. If the engine does not stop in 3 seconds, let an approved Husqvarna service agent adjust the engine brake. (Fig. 19)

Muffler

The muffler keeps the noise levels to a minimum and sends the exhaust fumes away from the operator.

Do not use the product if the muffler is missing or damaged. A damaged muffler increases the noise level and the risk of fire.



WARNING: The muffler becomes very hot during and after use and when the engine operates at idle speed. Be careful near flammable materials and/or fumes to prevent fire.

To do a check of the muffler

- Examine the muffler regularly to make sure that it is attached correctly and not damaged.

Fuel safety



WARNING: Read the warning instructions that follow before you use the product.

- Do not start the product if there is fuel or engine oil on the product. Remove the unwanted fuel/oil and let the product dry.
- If you spill fuel on your clothing, change clothing immediately.
- Do not get fuel on your body, it can cause injury. If you get fuel on your body, use soap and water to remove the fuel.
- Do not start the product if the engine has a leak. Examine the engine for leaks regularly.
- Be careful with fuel. Fuel is flammable and the fumes are explosive and can cause injuries or death.

- Do not breathe in the fuel fumes, it can cause injury. Make sure that there is a sufficient airflow.
- Do not smoke near the fuel or the engine.
- Do not put warm objects near the fuel or the engine.
- Do not add the fuel when the engine is on.
- Make sure that the engine is cool before you refuel.
- Before you refuel, open the fuel tank cap slowly and release the pressure carefully.
- Do not add fuel to the engine in an indoor area. Not sufficient airflow can cause injury or death because of asphyxiation or carbon monoxide.
- Tighten the fuel tank cap fully. If the fuel tank cap is not tightened, there is a risk of fire.
- Move the product a minimum of 3 m / 10 ft from the position where you filled the tank before a start.
- Do not fill the fuel tank fully. Heat causes the fuel to expand. Keep a space at the top of the fuel tank.
- Never store the product with fuel in the fuel tank inside a building where ignition sources are present such as hot water heaters, space heaters or clothes dryers. Allow the engine to cool Before storing in any enclosure.

Safety instructions for maintenance



WARNING: Read the warning instructions that follow before you use the product.

- The exhaust fumes from the engine contain carbon monoxide, an odourless, poisonous and very dangerous gas. Do not start the engine indoors or in closed spaces.
- Before you do the maintenance on the product, stop the engine and remove the ignition cable from the spark plug. On LB 244E, also remove the battery.
- Use protective gloves when you do maintenance on the cutting equipment. The blade is very sharp and cuts can easily occur.
- Accessories and changes to the product that are not approved by the manufacturer, can cause serious injury or death. Do not change the product. Always use accessories that are approved by the manufacturer.
- If the maintenance is not done correctly and regularly, the risk of injury and damage to the product increases.
- Only do the maintenance as given in this owner's manual. All other servicing must be done by an approved Husqvarna service agent.
- Let an approved Husqvarna service agent do servicing on the product regularly.
- Replace damaged, worn or broken parts.

Assembly

Introduction



WARNING: Before you assemble the product, you must read and understand the safety chapter.



WARNING: Remove the spark plug cable from the spark plug before you assemble the product.

To assemble the handle

1. Pull the handle rearward until it is in the end position. (Fig. 20)

2. Tighten the handle knobs. (Fig. 21)

To adjust the handle height

1. Make sure that the height adjustment bail is in the groove. Press down the height adjustment bail with your foot, if the height adjustment bail is not put in the groove. (Fig. 22)
2. Press in the height adjustment bail with your foot.
3. Put the handlebar in the correct position and release the handlebar. (Fig. 23)

Operation

Introduction



WARNING: Before you operate the product, you must read and understand the safety chapter.

Husqvarna Connect

Husqvarna Connect is a free app for your mobile device. The Husqvarna Connect app gives extended functions for your Husqvarna product:

- Extended product information.
- Information about, and help with, product parts and servicing.

To start to use Husqvarna Connect

1. Download the Husqvarna Connect app on your mobile device.
2. Register in the Husqvarna Connect app.
3. Do the instruction steps in the Husqvarna Connect app to connect and register the product.

Before you operate the product

1. Read the operator's manual carefully and make sure that you understand the instructions.
2. Examine the cutting equipment to make sure that it is correctly attached and adjusted. Refer to *To examine the cutting equipment on page 14*.
3. Do a check of the oil level and fill with engine oil if it is necessary. Refer to *To do a check of the oil level on page 14*.
4. Fill the fuel tank. Refer to *To fill fuel on page 11*.

To fill fuel

If available, use gasoline with a low emission grade/alkylate fuel. If gasoline with a low emission grade/alkylate fuel is not available, use good quality unleaded gasoline or leaded gasoline with octane number not less than 91.



CAUTION: Do not use gasoline with an octane number less than 91 RON. This can cause damage to the product.



CAUTION: Replace the fuel filter yearly or more frequently if it is necessary. A new fuel filter is available at your Husqvarna dealer.



CAUTION: Always stop the engine before you fill fuel.



CAUTION: Do not use pressurized starting fluids.

1. Open the fuel tank cap slowly to release the pressure.
2. Fill slowly with a fuel can. If you spill fuel, remove it with a cloth and let remaining fuel dry off. (Fig. 24)
3. Clean the area around the fuel tank cap.
4. Tighten the fuel tank cap fully. If the fuel tank cap is not tightened, there is a risk of fire.
5. Move the product a minimum of 3 m / 10 ft from the position where you filled the tank before a start.

To set the product in operation position

1. Assemble the handle. Refer to *To assemble the handle on page 11*.
2. Adjust the handle height. Refer to *To adjust the handle height on page 11*.



CAUTION: Make sure that there is not too much tension in the cables. Too much tension can cause damage to the cable if the handle is folded into transport position.



WARNING: Do not operate the product unless the handle is fully folded up and set in one of the applicable height positions. Refer to *To adjust the handle height on page 11*.

To set the cutting height

The cutting height can be adjusted in 6 different steps.

1. Stop the engine.
2. Move the cutting height lever rearward to increase the cutting height. (Fig. 25)
3. Move the cutting height lever forward to decrease the cutting height.



CAUTION: Do not set the cutting height too low. The blades can hit the ground if the surface of the lawn is not level.

To start the product

- Make sure that the ignition cable is connected to the spark plug.

Manual start (LB 144)

1. Stay behind the product.
2. Hold the engine brake handle against the upper handle. (Fig. 26)
3. Hold the starter rope handle with your right hand.
4. Slowly pull out the starter rope until you feel some resistance.
5. Pull with force to start the engine.



WARNING: Do not twist the starter rope around your hand.

Electrical start (LB 244E)

1. Make sure that the battery is charged. Refer to *Battery maintenance (LB 244E) on page 15*.
2. Attach the battery to the engine. The battery locks into position when you hear a click. (Fig. 27)
3. Stay behind the product and hold the engine brake handle (A) against the upper handle. (Fig. 28)
4. Push and hold the electrical start button (B) for 3-5 seconds. The engine starts.

Note: If the engine does not start, wait 1 minute and try to start the product again.

To stop the product

- To stop the engine, release the engine brake handle.

To remove the battery (LB 244E)

To prevent accidental start of the engine, remove the battery when the product is not in operation.

- Push the lock button (A) and pull the battery straight out. (Fig. 29)

To get a good result

- Always use a sharp blade. A blunt blade gives an irregular result and the cut surface of the grass becomes yellow. A sharp blade also uses less energy than a blunt blade.
- Do not cut more than $\frac{1}{3}$ of the length of the grass. Cut first with the cutting height set high. Examine the result and lower the cutting height to an applicable level. If the grass is very long, drive slowly and cut 2 times if necessary.
- Cut in different directions each time to prevent stripes in the lawn.
- Keep the cutting cover clean. Buildup from grass and dirt on the inner side of the cutting cover can decrease the cutting result. Refer to *To clean the inner surface of the cutting cover on page 13*.

Maintenance

Introduction



WARNING: Before you do maintenance, you must read and understand the safety chapter.

For all servicing and repair work on the product, special training is necessary. We guarantee the availability of

professional repairs and servicing. If your dealer is not a service agent, speak to them for information about the nearest service agent.

For more detailed information, refer to www.husqvarna.com.

Maintenance schedule



CAUTION: Make sure that the air filter is up and not against the ground when you tilt the product. Risk of engine damage.



CAUTION: For models with electrical start, remove the battery before you do maintenance, repairs or clean the product.

The maintenance intervals are calculated from daily use of the product. The intervals change if the product is not used daily.

For maintenance identified with * refer to instructions in *Safety devices on the product on page 9.*

Maintenance	Daily	Monthly	Each season
Do a general inspection	X		
Examine the oil level	X		
Replace the oil (the first time after 5 h of use, then after each 50 h of use) ¹			X
Clean the product	X		
Clean the area around the handle height adjustment bail	X		
Examine the cutting equipment	X		
Examine the cutting cover *	X		
Examine the engine brake handle *	X		
Examine the muffler *		X	
Examine the spark plug. Clean or replace the spark plug if it is necessary			X
Examine the air filter	X		
Clean the air filter ²		X	
Replace the air filter			X
Examine the fuel system			X
Clean the cooling fins on the cylinder		X	

To do a general inspection

- Make sure that all nuts and screws on the product are tightened correctly.

To clean the product externally

- Use a brush to remove leaves, grass and dirt.
- Make sure that the air intake on the top of the engine is not blocked.
- Do not use a high pressure washer to clean the product.
- If you use water to clean the product, do not flush water directly on the engine.

To clean the area around the handle height adjustment bail

- Use a brush to remove leaves, grass and dirt. (Fig. 30)

To clean the inner surface of the cutting cover

1. Empty the fuel tank.
2. Tilt the product. Make sure that the spark plug point up.

¹ If the product is operated with heavy load or in high ambient temperatures, replace the engine oil each 25 hours.

² Clean more often under dusty conditions or when airborne debris is present. Replace air filter, if it is very dirty.



CAUTION: If the product is put with the air filter down, the engine can become damaged.

3. Hose down the inner surface of the cutting cover with water.

To examine the cutting equipment



WARNING: To prevent accidental start remove the ignition cable from the spark plug.



WARNING: Use protective gloves when you do maintenance on the cutting equipment. The blade is very sharp and cuts can easily occur.

1. Examine the cutting equipment for damage or cracks. Always replace a damaged cutting equipment.
2. Look at the blade to see if it is damaged or blunt.

Note: It is necessary to balance the blade after it is sharpened. Let a service center sharpen, replace and balance the blade. If you hit an obstacle that causes the product to stop, replace the damaged blade. Let the service center estimate if the blade can be sharpened or must be replaced.

To replace the blade

1. Lock the blade with a block of wood. (Fig. 31)
2. Remove the blade bolt and spring washer.
3. Remove the blade.
4. Examine the blade support and blade bolt to see if there are damages.
5. Examine the engine shaft to make sure that it is not bent.
6. When you attach the new blade, point the angled ends of the blade in the direction of the cutting cover. (Fig. 32)
7. Make sure that the blade is aligned with the center of the engine shaft.
8. Lock the blade with a block of wood. Attach the spring washer and tighten the bolt and washer with a torque of 44-46 Nm. (Fig. 33)
9. Pull the blade around by hand and make sure that it turns freely.



WARNING: Use heavy duty gloves. The blade is very sharp and cuts can easily occur.

10. Start the product to do a test of the blade. If the blade is not correctly attached, there is vibration in the product or the cutting result is unsatisfactory.

To do a check of the oil level



CAUTION: A too low oil level can do damage to the engine. Do a check of the oil level before you start the product.

1. Put the product on level ground.
2. Remove the oil tank cap and the attached dipstick.
3. Clean the oil from the dipstick.
4. Push the dipstick fully into the oil tank.
 - a) Do not attach the oil tank cap on LB 144.
 - b) Attach the oil tank cap on LB 244E.
5. Remove the oil tank cap and the dipstick.
6. Examine the oil level on the attached dipstick.
7. If the oil level is low, fill with engine oil and do a check of the oil level again. (Fig. 34)

Note: Use a funnel to prevent spill.

8. Install the oil tank cap when the oil level is correct.

To replace the engine oil



WARNING: Engine oil is very hot directly after the engine is stopped. Let the engine become cool before you drain the engine oil. If you spill engine oil on your skin, clean with soap and water.

(Fig. 35)

1. Operate the product until the fuel tank is empty.
2. Remove the ignition cable from the spark plug.
3. Remove the oil tank cap and the attached dipstick.
4. Put a container below the product to collect the engine oil in.
5. Tilt the product or drain the engine oil from the oil tank with an oil pump (accessory).
6. Fill with new engine oil of the type recommended in *Technical data on page 18*.
7. Do a check of the oil level. Refer to *To do a check of the oil level on page 14*.
8. Install the oil tank cap when the oil level is correct.

Air filter

A dirty air filter can cause the engine to be damaged or not operate correctly. Do maintenance on the air filter more frequently in dusty conditions. Refer to *Maintenance schedule on page 13* for information about when to replace the air filter.

Note: Always replace a damaged air filter.

To remove and install the air filter (LB 244E)



WARNING: Use protective gloves.

1. Push the clips on the air filter cover.
2. Carefully remove the air filter cover (A) from the engine.
3. Remove the air filter (B). (Fig. 36)
4. Examine the air filter for damages. Replace a damaged air filter.
5. Clean and examine the air filter. Refer to *To clean the air filter (LB 244E) on page 15*.
6. Install in the opposite sequence.

To clean the air filter (LB 244E)

A dirty air filter can cause the engine to be damaged or not operate correctly. Do maintenance on the air cleaner more frequently in dusty conditions.

Refer to *Maintenance schedule on page 13* for information about when to replace the air filter.

1. Remove the air filter cover and remove the filter.
2. Clean the filter by hitting it against a flat surface. Do not use solvent with petroleum, kerosene or compressed air to clean the filter.

Note: Air filters in operation for a long time cannot be cleaned fully. Replace the air filter at regular intervals. Damaged air filters must always be replaced.

3. When you assemble the air filter, make sure that it fully seals against the filter holder.

To clean the foam plastic filter (LB 144)



CAUTION: Do not start the engine without the air filters. The wear of the engine increase if the air is dirty.

1. Remove the air filter cover (A). (Fig. 37)
2. Remove the foam plastic filters (B).



CAUTION: Examine the foam plastic filters for damage or wear. Replace all damaged foam plastic filters.

3. Clean the foam plastic filters with soap and water.
4. Flush the foam plastic filters in clean water.
5. Squeeze the water from the foam plastic filters and let them dry.



CAUTION: Do not use compressed air. It can cause damage to the foam plastic filter.

6. Lubricate the foam plastic filters with engine oil.
7. Press a clean cloth against the foam plastic filter to remove unwanted oil.
8. Install the foam plastic filters. Make sure that the foam plastic filters fully seals against the air filter holder.
9. Install the air filter cover.

Battery maintenance (LB 244E)

The battery is maintenance free. Only let an approved service center do servicing on the battery if it is necessary.

To use the battery for the first time (LB 244E)



CAUTION: Do not let the battery become empty. If the battery becomes empty, it can cause damage to the battery.

You must charge the battery before first operation.

1. Connect the battery charger to the battery, refer to *To charge the battery (LB 244E) on page 15*.
2. Wait until a minimum of 1 green LED comes on.
3. Attach the battery to the engine, refer to *Electrical start (LB 244E) on page 12*.

To charge the battery (LB 244E)

If only 1 or 0 lamp indicators on the battery are on, it is necessary to charge it. An empty battery is fully charged in 2 hours. To charge for shorter periods of time does not do damage to the battery.

1. Connect the battery charger to the battery. (Fig. 38)
2. Connect the battery charger to a power socket, 100-240V, 50-60Hz.
3. Remove the charger from the power socket first, then remove the charger from the battery.

Status for battery charge

LED display on the battery	Status
LED 1 flashes red.	1%-9%
LED 1 is constant red.	10%-32%
LED 1 is green and LED 2 is red.	33%-54%
LED 1 and 2 are green and LED 3 is red.	55%-77%
LED 1, 2 and 3 are green and LED 4 is red.	78%-100%

Lamp indicator on the battery charger	Status
Constant red light	The battery charges.
Constant green light	The battery is fully charged.

- Examine the fuel hose to make sure that there are no leaks. If the fuel hose is damaged, let a service agent replace it.

To drain the fuel tank

- Put a container below the fuel tank.
- Remove the fuel tank cap.
- Push the hose clips on the fuel hose against the carburetor.
- Remove the fuel hose from the carburetor.
- Put the fuel tank hose in the container and remove the hose clips.
- Tilt the product and drain the fuel into the container.

To replace the fuel filter



WARNING: Use protective gloves.

- Drain the fuel tank.
- Move the hose clip away from the fuel tank. (Fig. 40)
- Remove the fuel hose from the fuel tank. A small quantity of fuel can leak. (Fig. 41)
- Remove the fuel filter from the fuel tank. (Fig. 42)
- Install a new fuel filter in the fuel tank.
- Attach the fuel hose to the fuel tank.
- Put the hose clip in position against the fuel tank.

To do a check of the spark plug



CAUTION: Always use the recommended spark plug type. Incorrect spark plug type can cause damage to the product.

- Do a check of the spark plug if the engine is low on power, is not easy to start or does not operate correctly at idle speed.
- To decrease the risk of unwanted material on the spark plug electrodes, obey these instructions:
 - Make sure that the idle speed is correctly adjusted.
 - Make sure that the fuel mixture is correct.
 - Make sure that the air filter is clean.
- If the spark plug is dirty, clean it and make sure that the electrode gap is correct, refer to *Technical data on page 18*. (Fig. 39)
- Replace the spark plug if it is necessary.

To examine the fuel system

- Examine the fuel tank cap and the seal for the fuel tank cap to make sure that there are no damages.

Engine troubleshooting

Problem	Possible cause	Solution
The engine does not start.	The ignition cable is not connected correctly.	Connect the ignition cable to the spark plug.
	The fuel tank is empty.	Fill the fuel tank with correct fuel type.
	The fuel is old.	Drain the fuel tank and the carburetor. Refuel with new gasoline.
	There is dirt in the carburetor or fuel line.	Clean the carburetor and/or fuel line.
	The spark plug is damaged.	Adjust the electrode gap, clean or replace the spark plug.
	There is fuel on the spark plug.	Clean the spark plug.
The engine does not stop.	The stop mechanism does not operate correctly.	Disconnect the ignition cable from the spark plug. Let an approved service agent repair the product.

Problem	Possible cause	Solution
The engine does not operate smoothly.	The ignition cable is not connected correctly.	Connect the ignition cable to the spark plug.
	There is dirt in the fuel line or the fuel has expired.	Clean the fuel line. Fill the fuel tank with new fuel of the correct type.
	There is blockage in the fuel tank cap.	Clean the fuel tank cap.
	There is water or dirt in the fuel system.	Drain the fuel tank. Fill the fuel tank with new fuel of the correct type.
	The air filter is dirty.	Clean the air filter.
	The carburetor must be adjusted.	Let a servicing dealer adjust the carburetor.
The engine becomes too hot.	The engine oil level is too low.	Fill engine oil.
	The air flow is not sufficient.	Clean the air filter and the air filter housing.
	The carburetor must be adjusted.	Let a servicing dealer adjust the carburetor.
There is misfire in the engine when it operates at high speed.	The electrode gap in the spark plug is too small.	Adjust the electrode gap.
Unusual noises from the engine during normal load.	Incorrect type of gasoline.	Drain the fuel tank and the carburetor. Refuel with new gasoline. Refer to <i>To examine the fuel system on page 16</i> . If the problem continues speak to your local service dealer.
The engine does not operate smoothly at idle speed.	The spark plug is dirty,damaged or the electrode gap is too wide.	Adjust the electrode gap or replace the spark plug.
	The carburetor must be adjusted.	Adjust the carburetor.
	The air filter is dirty.	Clean the air filter.

Transportation, storage and disposal

Transportation and storage

- For storage and transportation of the product and fuel, make sure that there are no leaks or fumes. Sparks or open flames, for example from electrical devices or boilers, can start a fire.
- Always use approved containers for storage and transportation of fuel.
- Empty the fuel tank before you put the product in storage for a long period of time. Discard the fuel at an applicable disposal location
- Safely attach the product during transportation to prevent damage and accidents.
- Keep the product in a locked area to prevent access for children or persons that are not approved.
- Keep the product in a dry and frost free area.

To set the product in transport position

1. Release the handle knobs. (Fig. 43)
2. Fold the handle forward until it has reached the end position. (Fig. 44)

Transportation and storage for battery and charger

- Do not remove the battery until the product is stationary and cool. To remove the battery, press and hold the button on the top of the battery and remove it from its slot.
- If the time of storage is more than 30 days, charge the battery until it has more than 3 green lights.

- Charge the battery one time each 3 months to prevent damage to the battery.
- The battery and battery charger must be kept in storage between 5 °C and 40 °C. Higher temperatures or high temperature sources, such as fire, can cause damage to the battery.
- Do not disassemble the battery.
- Do not put the battery fully into water. Keep the battery in a cool and dry environment with good airflow.
- If the battery smells, is hot or if the heat causes deformation to the battery during operation, storage or charging, remove the battery and do not use it.
- Make sure that the battery or battery charger are attached during transportation to prevent damage.

- Make sure that the battery charger does not become too hot.

Disposal

- Obey the local recycling requirements and applicable regulations.
- Discard all chemicals, such as engine oil or antifreeze, at a service center or at an applicable disposal location.
- When the product is no longer in use, send it to a Husqvarna dealer or discard it at a recycling location.
- Discard the battery at a service center or discard it at a disposal location for used batteries.

Technical data

Technical data

	LB 144	LB 244E
Engine		
Brand	Husqvarna	Husqvarna
Model	HS 123A	HS 139AE
Engine type	Single cylinder, 4-Stroke, Forced Air Cooling, OHV	Single cylinder, 4-Stroke, Forced Air Cooling, OHV
Displacement, cm ³	123	139
Engine speed – Nominal, rpm	3000/min	2900/min
Nominal engine output, kW ³	1.95	2.2
Ignition system		
Spark plug	Husqvarna HQT-7	Husqvarna HQT-7
Electrode gap, mm	0.7-0.8	0.7-0.8
Fuel and lubrication system		
Engine lubrication type	Splash	Splash
Fuel tank capacity, l	0.9	0.9
Oil tank capacity, l	0.5	0.5

³ The power rating of the engine indicated is the average net output (at specified rpm) of a typical production engine for the engine model measured to SAE standard J1349/ISO1585. Mass production engines may differ from this value. Actual power output for the engine installed on the final product will depend on the operating speed, environmental conditions and other values.

	LB 144	LB 244E
Engine oil ⁴	Husqvarna SAE 30, Husqvarna SAE 5W-30 Synthetic, Husqvarna SAE 10W-40	Husqvarna SAE 30, Husqvarna SAE 5W-30 Synthetic, Husqvarna SAE 10W-40
Weight		
With empty tanks, kg	22	23.5
Noise emissions⁵		
Sound power level, measured dB (A)	91	92
Sound power level, guaranteed L _{WA} dB (A)	94	94
Sound levels⁶		
Sound pressure level at the operator's ear, dB (A)	79	80
Vibration levels⁷		
Vibrations upper handle, m/s ²	7.6	6.0
Cutting equipment		
Cutting height, mm	25–75	25–75
Cutting width, mm	440	440
Cutting system	Bioclip®	Bioclip®
Blade - Standard	Mulch 5464584-10	Mulch 5464584-10
Start system		
Electric starter	No	Yes
Battery	-	Li-ion, 10.8V, 21.6Wh

⁴ Use engine oil of quality API SJ or higher. If SAE-30 oil is used at temperature lower than +5 °C, there is a risk that it does not lubricate the engine sufficiently. This can cause engine damage. Refer to *To replace the engine oil on page 14* for the correct oil for low temperatures. Refer to the viscosity chart in the engine manual (if included) and select the best viscosity based on the expected outside temperature.

⁵ Noise emissions in the environment measured as sound power (L_{WA}) in conformity with EC directive 2000/14/EC.

⁶ Reported data for noise pressure level has a typical statistical dispersion (standard deviation) of 1.2 dB (A).

⁷ Reported data for vibration level has a typical statistical dispersion (standard deviation) of 0.2 m/s².

Declaration of Conformity

EU Declaration of Conformity

We, **Husqvarna AB**, SE-561 82 Huskvarna, Sweden, tel: +46-36-146500, declare on our sole responsibility that the product:

Description	Lawn Mower
Brand	Husqvarna
Type / Model	LB 144, LB 244E
Identification	Serial numbers dating from 2023 and onwards

complies fully with the following EU directives and regulations:

Regulation	Description
2006/42/EC	"relating to machinery"
2014/30/EU	"relating to electromagnetic compatibility"
2000/14/EC	"relating to the noise emissions in the environment"
2011/65/EU	"on the restriction of the use of certain hazardous substances in electrical and electronic equipment"

and that the following standards and/or technical specifications are applied:
EN ISO 5395-1:2013+A1:2018, EN ISO 5395-2:2013+A1:2016+A2:2017, EN IEC 63000:2018, EN ISO 14982:2009

Notified Body: 0404, SMP Svensk Maskinprovning AB, Box 4053, SE-904 03 Umeå, Sweden has certified conformity with the council's directive 2000/14/EC, conformity assessment procedure: Annex VI.

For information relating to noise emissions, refer to *Technical data on page 18*.

Huskvarna, 2023-09-18



Claes Losdal, Development Manager/Garden Products
Husqvarna AB

Responsible for technical documentation



UK Declaration of Conformity

We, **Husqvarna AB**, SE-561 82 Huskvarna, Sweden, tel: +46-36-146500, declare on our sole responsibility that the product:

Description	Lawn Mower
Brand	Husqvarna
Type / Model	LB 144
Identification	Serial numbers dating from 2023 and onwards

complies fully with the following UK regulations:

Description
The Restriction of the Use of Certain Hazardous Substances in Electrical and Electronic Equipment Regulations 2012
The Supply of Machinery (Safety) Regulations 2008
The Noise Emission in the Environment by Equipment for use Outdoors Regulations 2001, schedule 9
Electromagnetic Compatibility Regulations 2016

and that the following standards and/or technical specifications are applied:
EN ISO 5395-1:2013+A1:2018, EN ISO 5395-2:2013+A1:2016+A2:2017, EN IEC 63000:2018, EN ISO 14982:2009

Approved body: has carried out certified conformity according to the Outdoor Noise Regulations of 2001, conformity assessment procedure: Schedule 9.

For information relating to noise emissions, refer to *Technical data on page 18*.

Huskvarna, 2023-09-18



Claes Losdal, Development Manager/Garden Products
Husqvarna AB

Responsible for technical documentation



UK Importer:
Husqvarna UK Ltd
Preston Road, Co. Durham
DL5 6UP

Съдържание

Въведение.....	22	Търсене и отстраняване на неизправностите по двигателя.....	33
Безопасност.....	23	Транспортиране, съхранение и изхвърляне.....	34
Монтаж.....	26	Технически данни.....	35
Операция.....	27	Декларация за съответствие.....	38
Поддръжка.....	28		

Въведение

Описание на продукта

Продуктът е пешеходно управлявана ротационна косачка за трева, която използва BioClip за нарязване на тревата и превръщането ѝ в изкуствен тор.

Общ преглед на продукта

(Фиг. 1)

1. Ръчка за спирачката на двигателя
2. Ръкохватка/направляваща дръжка
3. Ръкохватка на въжето на стартера (LB 144)
4. Лост за височината на рязане
5. Капачка за масло и мерителна пръчка
6. Ауспух
7. Запалителна свещ
8. Повдигаща ръкохватка
9. Дръжка за регулиране на височината за удължителната дръжка
10. Капачка на резервоара за гориво
11. Въздушен филтър
12. Капак на режещите части
13. Нож
14. Пружинна шайба
15. Придържач болт на ножовете
16. Акумулаторна батерия, устройство за безопасност (LB 244E)
17. Бутон на електрическия стартер (LB 244E)
18. Ръководство за оператора

Символи върху продукта

(Фиг. 2) **ПРЕДУПРЕЖДЕНИЕ!** Внимавайте и използвайте продукта правилно. Този продукт може да причини сериозно нараняване или смърт на оператора и други хора.

(Фиг. 3) Прочетете внимателно ръководството за оператора и се уверете, че разбирате инструкциите, преди да използвате машината.

Предназначение

Използвайте продукта за косене на трева. Не използвайте продукта за други задачи.

(Фиг. 4) Пазете се от отскачащи предмети и рикшети.

(Фиг. 5) Дръжте хората и животните на безопасно разстояние от работната площ.

(Фиг. 6) Предупреждение: Дръжте ръцете и краката си далеч от въртящия се нож.

(Фиг. 7) Предупреждение: Дръжте ръцете и краката си далеч от въртящи се части.

(Фиг. 8) Спрете двигателя и отстранете запалителния кабел преди ремонти или техническо обслужване.

(Фиг. 9) Този продукт отговаря на изискванията на приложимите директиви на ЕО.

(Фиг. 10) Етикет за шумовите емисии за околната среда съгласно директивите и регламентите на ЕС и Обединеното кралство и законодателството на Нов Южен Уелс "Регламент 2017 относно защитата от дейности, оказващи влияние на околната среда (контрол на шума)". Гарантираното ниво на звуковата мощност на продукта е посочено в *Технически данни на страница 35* и върху етикета.

(Фиг. 11) Този продукт съответства на приложимите регламенти на Обединеното кралство.

(Фиг. 12) Риск от пожар.

(Фиг. 13) Не вдишвайте отработени газове. Отработените газове от двигателя съдържат въглероден окис – много опасен отровен газ без миризма. Не стартирайте двигателя на закрито или в затворени пространства.

(Фиг. 14) Гореща повърхност.

(Фиг. 16) Преди да стартирате продукта, напълнете двигателя с масло.

(Фиг. 17) Процедура за стартиране на LB 144: Натиснете надолу ръкохватката на спирачката на двигателя и дръпнете ръкохватката на стартерното въже.

(Фиг. 18) Процедура за стартиране на LB 244E: Натиснете надолу ръкохватката на спирачката на двигателя и натиснете бутона за стартиране.

(Фиг. 15) Код с възможност за сканиране.

Забележка: Останалите символи/стикери на продукта се отнасят до изисквания по отношение на сертификати за други търговски площи.

Повреда на продукта

Ние не носим отговорност за повреди по нашия продукт, ако:

- продуктът е неправилно ремонтиран.
- продуктът е ремонтиран с части, които не са от производителя или не са одобрени от производителя.
- продуктът има принадлежност, която не е от производителя или не е одобрена от производителя.
- продуктът не е ремонтиран в одобрен сервизен център или от одобрен орган.

Емисии Euro V



ПРЕДУПРЕЖДЕНИЕ: Намесата в двигателя прави невалидно ЕС одобрението на тип на този продукт.

Безопасност

Дефиниции за безопасност

Предупреждения, знаци за внимание и бележки се използват за указване на особено важни части на инструкцията.



ПРЕДУПРЕЖДЕНИЕ: Използва се, ако има опасност от нараняване или смърт за оператора или за околните, ако не се спазват инструкциите в ръководството.



ВНИМАНИЕ: Използва се, ако има опасност от повреждане на машината, други материали или съседната зона, ако не се спазват инструкциите в ръководството.

Забележка: Използва се за предоставяне на повече информация, която е необходима в дадена ситуация.

Общи инструкции за безопасност



ПРЕДУПРЕЖДЕНИЕ: Прочетете следващите предупредителни

инструкции, преди да използвате продукта.

- Този продукт е опасен, ако се използва неправилно или ако не сте внимателни. Неспазването на инструкциите за безопасност може да доведе до нараняване или смърт.
- Този продукт създава електромагнитно поле по време на работа. При някои условия това поле може да предизвика смущения в активни или пасивни медицински импланти. За да намалите риска от тежко или смъртоносно нараняване, ние препоръчваме лицата с медицински импланти да говорят с лекаря си и производителя на медицинския имплант, преди да започнат да работят с този продукт.
- Винаги бъдете внимателни и подхождайте разумно. Ако не сте сигурни как да работите с продукта при специална ситуация, спрете и се обърнете към Вашия дилър на Husqvarna, преди да продължите.
- Имайте предвид, че операторът носи отговорност за злополуки, включващи други лица или тяхното имущество.
- Поддържайте продукта чист. Уверете се, че разчитате ясно знаците и стикерите.
- Не позволявайте на лице да работи с продукта, освен ако не се уверите, че е прочело и разбрало съдържанието на ръководството за оператора.

Безопасност при работа



ПРЕДУПРЕЖДЕНИЕ: Прочетете следващите предупредителни указания, преди да използвате машината.

- Използвайте този продукт само за косене на мрави. Не се допуска използването му за други цели.
- Използвайте лични предпазни средства. Вижте *Лични предпазни средства на страница 25*.
- Уверете се, че знаете как бързо да спрете двигателя при аварийна ситуация.
- Никога не стартирайте двигателя в затворено пространство или близо до запалими материали. Отработените газове от двигателя са горещи и могат да съдържат искри, които да предизвикат пожар.
- Не работете с продукта, докато ножът и всички капаци не се монтират правилно. Неправилно монтираният нож може да се разхлаби и да причини телесна повреда.
- Уверете се, че ножът няма да се удря в обекти, като например камъни и корени. Това може да доведе до повреда на ножа и до огъване на двусекционния вал на двигателя. Огънатата ос предизвиква силни вибрации и има много голяма опасност ножът да се разхлаби.
- Ако ножът се удари в някакъв обект или се получи вибрации, спрете веднага продукта. Изключете запалителния кабел от запалителната свещ. Проверете продукта за повреда. Ремонттирайте повредите или потърсете оторизиран сервиз за това.
- Никога не прикрепяйте ръчката на спирачката на двигателя за постоянно върху дръжката, когато двигателят е стартиран.
- Поставете продукта върху стабилна, равна повърхност и го стартирайте. Уверете се, че ножът не се допира в земята или в други предмети.
- Винаги стойте зад продукта, когато го използвате.
- Всички колела трябва да бъдат на земята и да държите дръжката с 2 ръце, когато работите с продукта. Дръжте ръцете и краката си далеч от въртящите се остриета.
- Не наклоняйте продукта при стартиран двигател.
- Бъдете внимателни, когато дърпате продукта назад.
- Никога не повдигайте продукта при стартиран двигател. Ако се налага да вдигнете продукта, първо спрете двигателя и изключете запалителния кабел от запалителната свещ.
- Не се движете назад при работа с продукта.
- Спрете двигателя, когато преминавате през области без трева, например пътеки от чакъл, камък или асфалт.

- Не позволявайте на дете да работи с продукта.
- Дръжте децата далеч от работната зона. През цялото време трябва да присъства отговорен възрастен.
- Не позволявайте на лице, което не е запознато с инструкциите, да работи с продукта.
- Винаги наблюдавайте лице с намален физически или умствен капацитет, което използва продукта. През цялото време трябва да присъства отговорен възрастен.
- Не използвайте продукта, ако сте уморени, болни или под въздействието на алкохол, наркотици или лекарства. Това състояние оказва отрицателно въздействие върху Вашето зрение, бдителност, координация и преценка.
- Не използвайте продукт, който е повреден или не работи правилно.
- Не променяйте този продукт и не го използвайте, ако има вероятност той да е бил променен от други лица.
- Не променяйте регулировката за управление на оборотите на двигателя.

Безопасност на работната област



ПРЕДУПРЕЖДЕНИЕ: Прочетете следващите предупредителни указания, преди да използвате машината.

- Отстранете препятствия като клони, пръчки и камъни от работната зона, преди да използвате продукта.
- Обектите, които се удрят в режещото оборудване, могат да бъдат изхвърлени и да причинят нараняване на лицата и щети на предметите. Дръжте страничните наблюдатели и животните на безопасно разстояние от продукта.
- Никога не използвайте продукта в лошо време – например при мъгла, дъжд, силни ветрове, много силен студ и риск от мълнии. Използването на продукта в лошо време или върху влажни или мокри терени е изморително. Лошото време може да създаде опасни условия, като например хлъзгави повърхности.
- Внимавайте за лица, предмети и ситуации, които могат да са причина за намаляване на безопасната работа на продукта.
- Внимавайте за препятствия като корени, камъни, клони, ями и канавки. Дългата трева може да крие препятствия.
- Косенето на трева на склон може да бъде опасно. Не работете с продукта, когато наклонът на повърхността е повече от 15°.
- Използвайте продукта напречно на склона. Не се движете нагоре и надолу.
- Внимавайте, когато преминавате покрай закриват ъгли и предмети, които скриват зрителното Ви поле.

- Не тичайте с продукта, когато двигателят работи. Винаги ходете, когато работите с продукта.
- Спрете двигателя, преди да промените височината на рязане. Никога не регулирайте при стартиран двигател.
- Никога не оставяйте продукта без надзор, когато двигателят работи. Спрете двигателя и се уверете, че режещото оборудване не се върти.

Инструкции за безопасност за работа

Лични предпазни средства



ПРЕДУПРЕЖДЕНИЕ: Прочетете следващите предупредителни указания, преди да използвате машината.

- Личните предпазни средства не изключват изцяло риска от нараняване, но намаляват степента на нараняването при злополука. Нека вашият дилър Ви помогне да изберете подходящото оборудване.
- Използвайте антифони, ако нивото на шума е по-високо от 85 dB.
- Носете ботуши или обувки, устойчиви на хлъзгане. Не носете отворени обувки и не ходете боси.
- Използвайте дълги панталони от здрав плат.
- Когато е необходимо, носете защитни ръкавици, например, когато закрепвате, проверявате или почиствате режещото оборудване.

Устройства за безопасност на продукта



ПРЕДУПРЕЖДЕНИЕ: Прочетете следващите предупредителни инструкции, преди да използвате продукта.

- Не използвайте продукт с устройства за безопасност, които са повредени или не работят правилно.
- Извършвайте редовно проверка на устройствата за безопасност. Ако устройствата за безопасност са повредени или не работят правилно, се обърнете към Вашия сервизен дилър на Husqvarna.
- Не правете модификации по устройствата за безопасност.

За проверка на капака срещу порязване

Капакът срещу порязване намалява вибрациите в продукта и опасността от нараняване, причинени от острието.

- Проверете капака срещу порязване, за да се уверите, че няма повреди, като например пукнатини.

Акумулаторна батерия (LB 244E)



ПРЕДУПРЕЖДЕНИЕ:

Повредената акумулаторна батерия намалява безопасността на продукта. Винаги използвайте акумулаторна батерия, одобрена от производителя.

Акумулаторната батерия захранва електрическия стартер и е устройство за безопасност, което предотвратява случайно стартиране. Когато не работите с продукта и когато го оставяте без наблюдение, отстранете акумулаторната батерия.

За проверка на ръчката на спирачката на двигателя

Ръчката за спирачката на двигателя спира двигателя. Когато ръчката за спирачката на двигателя бъде пусната, двигателят спира.

- Запалете двигателя и след това освободете ръчката на спирачката на двигателя. Ако двигателят не спре след 3 секунди, позволете на одобрен Husqvarna сервиз да регулира спирачката на двигателя. (Фиг. 19)

Ауспух

Ауспухът е предназначен за максимално намаляване на нивата на шума и за отвеждане на отработените газове настрана от оператора.

Не използвайте продукта, ако ауспухът липсва или е повреден. Повреденият ауспух повишава нивото на шума и риска от пожар.



ПРЕДУПРЕЖДЕНИЕ: Ауспухът се нагрива много по време на и след употреба и също при обороти на празен ход на двигателя. Бъдете внимателни близо до запалими материали и/или газове, за да предотвратите възникването на пожар.

За проверка на ауспуха

- Проверявайте ауспуха редовно, за да сте сигурни, че е закрепен правилно и не е повреден.

Безопасност при работа с гориво



ПРЕДУПРЕЖДЕНИЕ: Прочетете следващите предупредителни инструкции, преди да използвате продукта.

- Не стартирайте продукта, ако върху него има гориво или моторно масло. Отстранете нежеланото гориво/масло и оставете продукта да изсъхне.
- Ако разлеете гориво по дрехите си, ги сменете незабавно.

- Внимавайте да не попадне гориво върху тялото Ви, това може да причини нараняване. Ако гориво попадне върху тялото Ви, използвайте сапун и вода, за да го отстраните.
- Не стартирайте продукта, ако от двигателя има теч. Проверявайте редовно двигателя за течове.
- Внимавайте с горивото. Горивото е запалимо, изпаренията са взривоопасни и могат да причинят наранявания или смърт.
- Не вдишвайте горивните изпарения, това може да причини нараняване. Уверете се, че има достатъчен въздушен поток.
- Не пушете близо до горивото или двигателя.
- Не поставяйте топли предмети близо до горивото или двигателя.
- Не добавяйте гориво, когато двигателят работи.
- Уверете се, че двигателят е изстинал преди зареждане с гориво.
- Преди зареждане с гориво отворете бавно капачката на резервоара за гориво и освободете внимателно налягането.
- Не добавяйте гориво към двигателя на площ на закрито. Недостатъчният въздушен поток може да причини нараняване или смърт поради задушаване или въглероден окис.
- Затегнете капачката на резервоара за гориво докрай. Ако капачката на резервоара за гориво не е затегната, има риск от пожар.
- Преди стартиране преместете продукта най-малко на 3 m/10 ft от мястото, където сте напълнили резервоара.
- Не пълнете резервоара за гориво докрай. Топлината причинява увеличаване на обема на горивото. Оставете място в горната част на резервоара за гориво.
- Никога не съхранявайте продукта с гориво в резервоара за гориво вътре в сграда, където има източници на запалване, като например нагреватели за гореща вода, радиатори или сушилни за дрехи. Преди съхранение в каквото

и да било затворено място оставете двигателя да се охлади.

Инструкции за безопасност при техническо обслужване



ПРЕДУПРЕЖДЕНИЕ: Прочетете следващите предупредителни указания, преди да използвате машината.

- Отработените газове от двигателя съдържат въглероден окис – много опасен, отровен газ без миризма. Не стартирайте двигателя на закрито или в затворени пространства.
- Преди техническо обслужване на продукта спрете двигателя и изключете запалителния кабел от запалителната свещ. При LB 244E отстранете и акумулатора.
- Носете защитни ръкавици, когато ще изпълнявате дейности, свързани с техническото обслужване на режещото оборудване. Ножът е много остър и можете лесно да се порежете.
- Аксесоари и промени на продукта, които не са одобрени от производителя, могат да доведат до сериозно нараняване или смърт. Не правете промени по продукта. Винаги използвайте само аксесоари, които са одобрени от производителя.
- Ако техническото обслужване не се изпълнява правилно и редовно, рискът от нараняване и повреда на продукта се увеличава.
- Изпълнявайте техническото обслужване само както е посочено в това ръководство на собственика. Всички останали сервизни дейности трябва да се извършват от одобрен Husqvarna сервиз.
- Позволете одобрен Husqvarna сервиз редовно да обслужва продукта.
- Заменете повредени, износени или счупени части.

Монтаж

Въведение



ПРЕДУПРЕЖДЕНИЕ: Преди сглобяване на продукта трябва да прочетете и разберете главата за безопасност.



ПРЕДУПРЕЖДЕНИЕ: Отстранете кабела на запалителната свещ от запалителната свещ, преди да сглобите продукта.

За монтиране на ръкохватката

1. Издърпайте ръкохватката назад, докато достигне крайно положение. (Фиг. 20)
2. Затегнете фиксаторите на ръкохватката. (Фиг. 21)

За регулиране на височината на ръкохватката

1. Уверете се, че дръжката за регулиране на височината е в жлеба. Натиснете дръжката за регулиране на височината с крак, ако дръжката за регулиране на височината не е поставена в жлеба. (Фиг. 22)

- Натиснете с крак дръжката за регулиране на височината.

- Поставете удължителната дръжка в правилното положение и я освободете. (Фиг. 23)

Операция

Въведение



ПРЕДУПРЕЖДЕНИЕ: Преди работа с продукта трябва да прочетете и разберете главата за безопасност.

Husqvarna Connect

Husqvarna Connect е безплатно приложение за Вашето мобилно устройство. Приложението Husqvarna Connect осигурява разширени функции за Вашия продукт на Husqvarna:

- Разширена продуктова информация.
- Информация и помощ за частите на продукта и сервисното обслужване.

За да започнете да използвате Husqvarna Connect

- Изтеглете приложението Husqvarna Connect на Вашето мобилно устройство.
- Регистрирайте се в приложението Husqvarna Connect.
- Изпълнете стъпките с инструкции в приложението Husqvarna Connect, за да свържете и регистрирате продукта.

Преди да започнете работа с продукта

- Прочетете внимателно ръководството за оператора и се уверете, че разбирате инструкциите.
- Проверете режещото оборудване, за да се уверите, че то е правилно монтирано и регулирано. Вижте *За проверка на режещото оборудване на страница 30*.
- Извършете проверка на нивото на маслото и долейте моторно масло, ако е необходимо. Вижте *За извършване на проверка на нивото на маслото на страница 30*.
- Напълнете резервоара за гориво. Вижте *За наливане на гориво на страница 27*.

За наливане на гориво

Ако има наличен, използвайте бензин с ниско ниво на емисиите/алкилатно гориво. Ако не е наличен бензин с ниско ниво на емисиите/алкилатно гориво, използвайте висококачествен безоловен бензин или оловен бензин с октаново число, не по-малко от 91.



ВНИМАНИЕ: Не използвайте бензин с октаново число, по-малко от 91 RON. Това може да повреди продукта.



ВНИМАНИЕ: Сменяйте горивния филтър ежегодно или по-често, ако това е необходимо. Нов горивен филтър се предлага при Вашия дилър на Husqvarna.



ВНИМАНИЕ: Преди пълнене с гориво винаги спирайте двигателя.



ВНИМАНИЕ: Не използвайте пускови течности под налягане.

- Отворете бавно капачката на резервоара за гориво, за да освободите налягането.
- Заредете бавно резервоара от туба с гориво. Ако разлеете гориво, поийте го с кърпа и оставете горивото, което остане, да изсъхне. (Фиг. 24)
- Почистете областта около капачката на резервоара за гориво.
- Затегнете капачката на резервоара за гориво докрай. Ако капачката на резервоара за гориво не е затегната, има риск от пожар.
- Преди стартиране преместете продукта най-малко на 3 m/10 ft от мястото, където сте напълнили резервоара.

За задаване на продукта в положение за работа

- Монтирайте ръкохватката. Направете справка с *За монтиране на ръкохватката на страница 26*.
- Регулирайте височината на ръкохватката. Направете справка с *За регулиране на височината на ръкохватката на страница 26*.



ВНИМАНИЕ: Уверете се, че кабелите не са опънати прекалено много. Прекаленото опъване може да причини повреда на кабела, ако ръкохватката бъде сгъната в положение при транспортиране.



ПРЕДУПРЕЖДЕНИЕ: Не работете с продукта, ако ръкохватката не е сгъната докрай нагоре и не

е зададена в едно от приложимите положения за височина. Направете справка с *За регулиране на височината на ръкохватката на страница 26*.

За да зададете височината на рязане

Височината на рязане може да бъде регулирана в 6 различни степени.

1. Спрете двигателя.
2. Преместете назад лоста за височина на рязане, за да увеличите височината на рязане. (Фиг. 25)
3. Преместете напред лоста за височина на рязане, за да намалите височината на рязане.



ВНИМАНИЕ: Не задавайте твърде ниска височина на рязане. Ножовете могат да се ударят в земята, ако повърхността на моравата не е равна.

За стартиране на продукта

- Уверете се, че запалителният кабел е свързан към запалителната свещ.

Ръчно стартиране (LB 144)

1. Останете зад продукта.
2. Задръжте ръкохватката на спирачката на двигателя към горната ръкохватка. (Фиг. 26)
3. Дръжте дръжката на стартерното въже с дясната си ръка.
4. Бавно издърпайте стартерното въже, докато почувствате някакво съпротивление.
5. Издърпайте силно шнура, докато двигателят запали.



ПРЕДУПРЕЖДЕНИЕ: Не навивайте стартерното въже около ръката си.

Електрическо стартиране (LB 244E)

1. Уверете се, че акумулаторната батерия е заредена. Направете справка с *Техническо обслужване на акумулаторната батерия (LB 244E) на страница 32*.

2. Закрепете акумулаторната батерия към двигателя. Акумулаторната батерия се заключва в позиция, когато чуете щракване. (Фиг. 27)
3. Стойте зад продукта и задръжте ръкохватката на спирачката на двигателя (А) към горната ръкохватка. (Фиг. 28)
4. Натиснете и задръжте натиснат бутона за електрическо стартиране (В) за 3 – 5 секунди. Двигателят стартира.

Забележка: Ако двигателят не стартира, изчакайте 1 минута и се опитайте да стартирате продукта отново.

Спиране на продукта

- За да спрете двигателя, освободете ръчката за спирачката на двигателя.

За сваляне на акумулаторната батерия (LB 244E)

За да предотвратите случайно стартиране на двигателя, свалете акумулаторната батерия, когато продуктът не се използва.

- Натиснете бутона за фиксиране (А) и извадете акумулаторната батерия право навън. (Фиг. 29)

За получаване на добър резултат

- Винаги използвайте остър нож. Косенето със затъпен нож е неравномерно и окосената повърхност пожълтява. При работа с остър нож също така се използва по-малко енергия отколкото при работа със затъпен нож.
- Не отрязвайте повече от 1/3 от дължината на тревата. Първо, косете със зададена висока височина на рязане. Вижте какъв е резултатът и намалете височината на рязане до подходящо ниво. Ако тревата е много висока, карайте бавно и – ако е необходимо – окосете два пъти.
- Режете всеки път в различни посоки, за да избегнете образуването на линии в моравата.
- Поддържайте капака за рязане чист. Натрупването на трева и замърсявания по вътрешната страна на капака за рязане могат да намалат резултата от рязането. Вижте *За почистване на вътрешната повърхност на капака на режещите части на страница 30*.

Поддръжка

Въведение



ПРЕДУПРЕЖДЕНИЕ: Преди да извършите техническо обслужване, трябва да прочетете и разберете главата за безопасност.

За всички работи по обслужването и поправката на продукта е необходимо специално обучение. Осигуряваме предлагане на професионални ремонти и обслужване. Ако Вашият дилър не предлага сервизно обслужване, се свържете с него, за да Ви даде информация за най-близкия сервиз.

Разписание за техническо обслужване



ВНИМАНИЕ: Уверете се, че въздушният филтър е насочен нагоре, а не към земята, когато наклоняте продукта. Опасност от повреда на двигателя.

Интервалите за техническо обслужване са изчислени в зависимост от ежедневната употреба на продукта. Интервалите се променят, ако продуктът не се използва ежедневно.

За техническо обслужване, маркирано с *, направете справка с инструкциите в *Устройствата за безопасност на продукта на страница 25*.



ВНИМАНИЕ: За моделите с електрическо стартиране отстранявайте

Техническо обслужване	Ежедневно	Всеки месец	Всеки сезон
Извършване на обща проверка	X		
Проверка на нивото на маслото	X		
Сменете маслото (първи път след 5 ч употреба, след това на всеки 50 ч употреба) ⁸			X
Почистване на продукта	X		
Почистете зоната около дръжката за регулиране на височината на ръкохватката	X		
Преглед на режещото оборудване	X		
Преглед на капака на режещите части *	X		
Проверете ръкохватката на спирачката на двигателя *	X		
Преглед на ауспуха *		X	
Проверете запалителната свещ. Почистете или сменете запалителната свещ, ако това е необходимо			X
Проверете въздушния филтър	X		
Почистване на въздушния филтър ⁹		X	
Смяна на въздушния филтър			X
Преглед на горивната система			X
Почистете охлаждащите ребра на цилиндъра		X	

За извършване на обща проверка

- Уверете се, че всички гайки и винтове на продукта са затегнати правилно.

За външно почистване на машината

- За отстраняване на листа, трева и прах използвайте четка.
- Уверете се, че смукателният въздухопровод в горната част на двигателя не е блокиран.

⁸ Ако продуктът работи при тежко натоварване или високи околни температури, сменяйте моторното масло на всеки 25 часа.

⁹ Почиствайте по-често в запрашена среда или когато във въздуха се носят частици. Сменете въздушния филтър, ако е много замърсен.

- Не мийте продукта с устройство за миене под високо налягане.
- Ако използвате вода за почистване на продукта, не насочвайте струята вода директно върху двигателя.

За почистване на зоната около дръжката за регулиране на височината на ръкохватката

- За отстраняване на листа, трева и замърсявания използвайте четка. (Фиг. 30)

За почистване на вътрешната повърхност на капака на режещите части

1. Изпразнете резервоара за гориво.
2. Наклонете продукта. Уверете се, че запалителната свещ е насочена нагоре.



ВНИМАНИЕ: Ако продуктът се постави с въздушния филтър надолу, двигателят може да се повреди.

3. Промийте вътрешната повърхност на капака на режещите части с вода.

За проверка на режещото оборудване



ПРЕДУПРЕЖДЕНИЕ: За предотвратяване на случайно стартиране извадете запалителния кабел от запалителната свещ.



ПРЕДУПРЕЖДЕНИЕ: Носете защитни ръкавици, когато ще изпълнявате дейности, свързани с техническото обслужване на режещото оборудване. Ножът е много остър и можете лесно да се порежете.

1. Проверете режещото оборудване за повреди или пукнатини. Винаги заменяйте повреденото режещо оборудване.
2. Погледнете ножа, за да разберете дали не е повреден или затъпен.

Забележка: Необходимо е да балансирате ножа след заточване. Ножът се заточва, сменя и балансира от сервизен център. Ако ударите препятствие и вследствие на това продуктът спре, сменете повредения нож. Оставете специалистите в сервиза да преценят дали ножът ще трябва да се заточи, или да се смени.

За смяна на ножа

1. Фиксирайте ножа с дървено блокче. (Фиг. 31)
2. Отстранете болта на ножа и пружинната шайба.
3. Отстранете ножа.
4. Проверете опората на ножа и болта на ножа, за да видите дали има повреди.
5. Проверете дали валът на двигателя не е огънат.
6. Когато закрепвате новия нож, насочете извитите краища на ножа по посока към капака на режещите части. (Фиг. 32)
7. Уверете се, че ножът е подравнен с центъра на вала на двигателя.
8. Фиксирайте ножа с дървено блокче. Закрепете пружинната шайба и затегнете болта и шайбата с въртящ момент 44-46 Nm. (Фиг. 33)
9. Раздвижете ножа на ръка и се уверете, че той се върти свободно.



ПРЕДУПРЕЖДЕНИЕ:

Използвайте ръкавици с висока здравина. Ножът е много остър и можете лесно да се порежете.

10. Стартирайте продукта, за да извършите тест на ножа. Ако ножът не е закрепен правилно, продуктът вибрира или резултатът от косенето е незадоволителен.

За извършване на проверка на нивото на маслото



ВНИМАНИЕ: Твърде ниското ниво на маслото може да доведе до повреда на двигателя. Извършете проверка на нивото на маслото, преди да стартирате продукта.

1. Поставете продукта на равна повърхност.
2. Отстранете капачката на резервоара за масло и закрепената мерителна пръчка.
3. Почистете маслото от мерителната пръчка.
4. Натиснете мерителната пръчка изцяло в резервоара за масло.
 - a) Не закрепвайте капачката на резервоара за масло върху LB 144.
 - b) Закрепете капачката на резервоара за масло върху LB 244E.
5. Отстранете капачката на резервоара за масло и мерителната пръчка.
6. Проверете какво е нивото на маслото върху закрепената мерителна пръчка.
7. Ако нивото на маслото е ниско, заредете моторно масло и отново извършете проверка на нивото му. (Фиг. 34)

Забележка: Използвайте фуния, за да предотвратите разливане.

8. Монтирайте капачката на резервоара за масло, когато нивото на маслото е правилно.

За смяна на моторното масло



ПРЕДУПРЕЖДЕНИЕ:

Моторното масло е много горещо непосредствено след спирането на двигателя. Оставете двигателя да изстине, преди да източите моторното масло. Ако разлеее моторно масло върху кожата си, почистете със сапун и вода.

(Фиг. 35)

1. Работете с продукта, докато резервоарът за гориво се изпразни.
2. Отстранете запалителния кабел от запалителната свещ.
3. Отстранете капачката на резервоара за масло и закрепената мерителна пръчка.
4. Поставете съд под продукта, в който да се събере моторното масло.
5. Наклонете продукта или източете моторното масло от резервоара за масло с помощта на маслена помпа (принадлежност).
6. Заредете с ново моторно масло от препоръчания тип в *Технически данни на страница 35*.
7. Извършете проверка на нивото на моторното масло. Направете справка с *За извършване на проверка на нивото на маслото на страница 30*.
8. Монтирайте капачката на резервоара за масло, когато нивото на маслото е правилно.

Въздушен филтър

Замърсен въздушен филтър може да причини повреда или неправилна работа на двигателя. Извършвайте техническо обслужване на въздушния филтър по-често в запрашена среда. Направете справка с *Разписание за техническо обслужване на страница 29* за информация относно това кога да смените въздушния филтър.

Забележка: Винаги заменяйте повреден въздушен филтър.

За сваляне и монтиране на въздушния филтър (LB 244E)



ПРЕДУПРЕЖДЕНИЕ:

Използвайте защитни ръкавици.

1. Натиснете щипките на капака на въздушния филтър.
2. Внимателно свалете капака на въздушния филтър (А) от двигателя.
3. Свалете въздушния филтър (В). (Фиг. 36)
4. Проверете въздушния филтър за повреди. Подменете повреден въздушен филтър.
5. Почистете и проверете въздушния филтър. Направете справка с *За почистване на въздушния филтър (LB 244E) на страница 31*.
6. Извършете монтаж в обратната последователност.

За почистване на въздушния филтър (LB 244E)

Замърсен въздушен филтър може да причини повреда или неправилна работа на двигателя. Извършвайте техническо обслужване на устройството за пречистване на въздуха по-често в запрашена среда.

Направете справка с *Разписание за техническо обслужване на страница 29* за информация относно това кога да смените въздушния филтър.

1. Отстранете капака на въздушния филтър и отстранете филтъра.
2. Почистете филтъра, като го чукнете в плоска повърхност. Не използвайте разтворител на нефтена основа, керосин или въздух под налягане, за да почистите филтъра.

Забележка: Въздушните филтри, които са използвани дълго време, не могат да бъдат почистени напълно. Сменяйте въздушния филтър редовно. Повредените въздушни филтри трябва винаги да се сменят.

3. Когато монтирате въздушния филтър, се уверете, че напълно пасва към държача на филтъра.

За почистване на филтъра от пореста пластмаса (LB 144)



ВНИМАНИЕ: Не стартирайте двигателя без въздушните филтри. Износването на двигателя се увеличава, ако въздухът е замърсен.

1. Отстранете капака на въздушния филтър (А). (Фиг. 37)
2. Отстранете филтрите от пореста пластмаса (В).



ВНИМАНИЕ: Проверете филтрите от пореста пластмаса за повреда или износване. Сменете всички повредени филтри от пореста пластмаса.

3. Почистете филтрите от пореста пластмаса със сапун и вода.
4. Измийте филтрите от пореста пластмаса в чиста вода.
5. Изстискайте водата от филтрите от пореста пластмаса и ги оставете да изсъхнат.



ВНИМАНИЕ: Не използвайте въздух под налягане. Това може да причини повреда на филтъра от пореста пластмаса.

6. Смажете филтрите от пореста пластмаса с моторно масло.
7. Притиснете чиста кърпа върху филтъра от пореста пластмаса, за да отстраните нежеланото масло.
8. Монтирайте филтрите от пореста пластмаса. Уверете се, че филтрите от пореста пластмаса прилепват плътно към държача на въздушния филтър.
9. Монтирайте капака на въздушния филтър.

Техническо обслужване на акумулаторната батерия (LB 244E)

Акумулаторната батерия не се нуждае от техническо обслужване. Оставете само одобрен сервизен център да извърши обслужване на акумулаторната батерия, ако това е необходимо.

За използване на акумулаторната батерия за първи път (LB 244E)



ВНИМАНИЕ: Не допускайте пълно разреждане на акумулаторната батерия. Пълното разреждане на акумулаторната батерия може да причини повреда на батерията.

Преди първоначалното използване на акумулаторната батерия трябва да я заредите.

1. Свържете зарядното устройство за акумулаторни батерии към акумулаторната батерия, направете справка с *За зареждане на акумулаторната батерия (LB 244E) на страница 32*.
2. Изчакайте, докато светне най-малко 1 зелен светодиод.
3. Закрепете акумулаторната батерия към двигателя, направете справка с *Електрическо стартиране (LB 244E) на страница 28*.

За зареждане на акумулаторната батерия (LB 244E)

Ако на акумулаторната батерия светят само 1 или 0 светлинни индикатора, е необходимо да я заредите. Изцяло разредената акумулаторна батерия се зарежда напълно за 2 часа. Зареждането

за по-кратки периоди от време не поврежда акумулаторната батерия.

1. Свържете зарядното устройство за акумулаторни батерии към акумулаторната батерия. (Фиг. 38)
2. Свържете зарядното устройство за акумулаторни батерии към захранващ контакт, 100 – 240 V, 50 – 60 Hz.
3. Първо отстранете щепсела на зарядното устройство от захранващия контакт, след което отстранете зарядното устройство от акумулаторната батерия.

Състояние на заряд на акумулатора

Светодиоден дисплей на акумулатора	Състояние
Светодиод 1 мига в червено.	1% – 9%
Светодиод 1 свети постоянно в червено.	10% – 32%
Светодиод 1 свети в зелено, а светодиод 2 свети в червено.	33% – 54%
Светодиодите 1 и 2 светят в зелено, а светодиод 3 свети в червено.	55% – 77%
Светодиодите 1, 2 и 3 светят в зелено, а светодиод 4 свети в червено.	78% – 100%

Светлинен индикатор на зарядното устройство на акумулатора	Състояние
Постоянна червена светлина	Акумулаторът се зарежда.
Постоянна зелена светлина	Акумулаторната батерия е напълно заредена.

За извършване на проверка на запалителната свещ



ВНИМАНИЕ: Използвайте винаги запалителните свещи от препоръчания вид. Използването на запалителна свещ от неправилен тип може да причини повреда на продукта.

- Извършете проверка на запалителната свещ, ако двигателят е с понижена мощност, стартира трудно или работи неправомерно при обороти на празен ход.
- За да намалите риска от попадане на нежелани материали върху електродите на запалителната свещ, следвайте тези инструкции:

- a) Проверете дали оборотите на празен ход са правилно регулирани.
- b) Уверете се, че горивната смес е правилна.
- c) Уверете се, че въздушният филтър е чист.
- Ако запалителната свещ е замърсена, я почистете и проверете дали разстоянието между електродите е правилно, направете справка с *Технически данни на страница 35*. (Фиг. 39)
- Сменете запалителната свещ, ако е необходимо.
- 5. Поставете маркуча на резервоара за гориво в съда и отстранете скобите на маркуча.
- 6. Наклонете продукта и източете горивото в съда.

За смяна на горивния филтър



ПРЕДУПРЕЖДЕНИЕ:
Използвайте защитни ръкавици.

За проверка на горивната система

- Проверете капачката на резервоара за гориво и уплътнението на капачката на резервоара за гориво, за да се уверите, че не са повредени.
- Проверете маркуча за горивото, за да се уверите, че не тече. Ако маркучът за горивото е повреден, той трябва да се смени от сервиз.

За източване на резервоара за гориво

1. Поставете съд под резервоара за гориво.
2. Отстранете капачката на резервоара за гориво.
3. Натиснете скобите на маркуча върху маркуча за гориво към карбуратора.
4. Отстранете маркуча за гориво от карбуратора.

1. Източете резервоара за гориво.
2. Преместете скобата на маркуча далеч от резервоара за гориво. (Фиг. 40)
3. Отстранете маркуча за гориво от резервоара за гориво. Възможно е да изтече малко количество гориво. (Фиг. 41)
4. Отстранете горивния филтър от резервоара за гориво. (Фиг. 42)
5. Монтирайте нов горивен филтър в резервоара за гориво.
6. Закрепете маркуча за гориво към резервоара за гориво.
7. Поставете скобата на маркуча на място към резервоара за гориво.

Търсене и отстраняване на неизправностите по двигателя

Проблем	Възможна причина	Решение
Двигателят не стартира.	Запалителният кабел не е свързан правилно.	Свържете запалителния кабел към запалителната свещ.
	Резервоарът за гориво е празен.	Напълнете резервоара за гориво с правилния тип гориво.
	Горивото е старо.	Източете резервоара за гориво и карбуратора. Презаредете с нов бензин.
	Има замърсяване в карбуратора или в горивопровода.	Почистете карбуратора и/или горивопровода.
	Запалителната свещ е повредена.	Регулирайте разстоянието между електродите, почистете или сменете запалителната свещ.
	Има гориво по запалителната свещ.	Почистете запалителната свещ.
Двигателят не спира.	Спирателният механизъм не работи правилно.	Разкачете запалителния кабел от запалителната свещ. Оставете ремонта на продукта на одобрен сервиз.

Проблем	Възможна причина	Решение
Двигателят не работи плавно равномерно.	Запалителният кабел не е свързан правилно.	Свържете запалителния кабел към запалителната свещ.
	В горивопровода има замърсяване или срокът на годност на горивото е изтекъл.	Почистете горивопровода. Напълнете резервоара за гориво с ново гориво от правилния тип.
	В капачката на резервоара за гориво има запушване.	Почистете капачката на резервоара за гориво.
	Има вода или замърсяване в горивната система.	Източете резервоара за гориво. Напълнете резервоара за гориво с ново гориво от правилния тип.
	Въздушният филтър е замърсен.	Почистете въздушния филтър.
	Карбураторът трябва да бъде регулиран.	Оставете регулирането на карбуратора на сервизен дилър.
Двигателят става прекалено горещ.	Нивото на моторното масло е прекалено ниско.	Долейте моторно масло.
	Въздушният поток не е достатъчен.	Почистете въздушния филтър и корпуса на въздушния филтър.
	Карбураторът трябва да бъде регулиран.	Оставете регулирането на карбуратора на сервизен дилър.
Има неуспешно запалване в двигателя, когато работи при високи обороти.	Разстоянието между електродите в запалителната свещ е прекалено малко.	Регулирайте разстоянието между електродите.
Чуват се необичайни звуци от двигателя при нормално натоварване.	Неправилен тип бензин.	Източете резервоара за гориво и карбуратора. Презаредете с нов бензин. Направете справка с <i>За проверка на горивната система на страница 33</i> . Ако проблемът продължи, се обърнете към Вашия местен сервизен дилър.
Двигателят не работи правилно равномерно при обороти на празен ход.	Запалителната свещ е замърсена, повредена или разстоянието между електродите е прекалено голямо.	Регулирайте разстоянието между електродите или сменете запалителната свещ.
	Карбураторът трябва да бъде регулиран.	Регулирайте карбуратора.
	Въздушният филтър е замърсен.	Почистете въздушния филтър.

Транспортиране, съхранение и изхвърляне

Транспорт и съхранение

- При съхранението и транспортирането на продукта и горивото се уверете, че няма течове или изпарения. Искри или открит огън, например от електрически уреди или котли може да възникне пожар.
- Винаги използвайте одобрени контейнери за съхранение и транспортиране на гориво.
- Изпразнете резервоара за гориво, преди да приберете продукта за съхранение за дълъг период от време. Изхвърлете горивото на подходящо за целта място
- Прикрепете продукта по безопасен начин по време на транспортирането, за да се предотвратят повреди и злополуки.
- Съхранявайте продукта под ключ, за да предотвратите достъпа до него на деца или лица, които не са упълномощени да го използват.

- Съхранявайте продукта на сухо и незамръзващо място.

За задаване на продукта в положение при транспортиране

1. Освободете фиксаторите на ръкохватката. (Фиг. 43)
2. Сгънете ръкохватката напред, докато достигне крайно положение. (Фиг. 44)

Транспортиране и съхранение на акумулаторната батерия и зарядното устройство

- Не сваляйте акумулаторната батерия, докато продуктът не спре да се движи и не се охлади. За да свалите акумулаторната батерия, натиснете и задръжте натиснат бутон върху горната част на акумулаторната батерия и я извадете от нейното гнездо.
- Ако времето на съхранение е повече от 30 дни, тогава заредете акумулаторната батерия, докато светнат повече от 3 зелени светлини.
- Зареждайте акумулаторната батерия на всеки 3 месеца, за да предотвратите повреждането ѝ.
- Акумулаторната батерия и зарядното устройство за акумулаторни батерии трябва да се съхраняват при температура между 5°C и 40°C. По-високи температури или източниците на висока температура, като огън, могат да повредят акумулаторната батерия.

- Не разглобявайте акумулаторната батерия.
- Не потапяйте акумулаторната батерия изцяло във вода. Дръжте акумулаторната батерия на хладно и сухо място с добра вентилация.
- Ако се появи миризма от акумулаторната батерия, същата е гореща или топлината е предизвикала деформация на акумулаторната батерия по време на работа, съхранение или зареждане, извадете я и не я използвайте.
- Погрижете се акумулаторната батерия или зарядното устройство за акумулаторни батерии да бъде закрепено при транспортиране, за да не се повреди.
- Уверете се, че зарядното устройство за акумулаторни батерии не става твърде горещо.

Изхвърляне

- Съблюдавайте местните изисквания за рециклиране и приложимите разпоредби.
- Изхвърлете всички химикали, като например двигателно масло или антифриз, в сервизен център или на подходящо за целта място.
- Когато продуктът вече не се използва, изпратете го на Husqvarna дилър или го изхвърлете на място за рециклиране.
- Изпратете акумулатора в сервизен център или го изхвърлете на място за депониране на използвани акумулатори.

Технически данни

Технически характеристики

	LB 144	LB 244E
Двигател		
Марка	Husqvarna	Husqvarna
Модел	HS 123A	HS 139AE
Тип на двигателя	Едноцилиндров, 4-тактов, принудително въздушно охлаждане, OHV	Едноцилиндров, 4-тактов, принудително въздушно охлаждане, OHV
Работен обем, cm ³	123	139
Обороти на двигателя – номинални, об/мин	3000/min	2900/min

	LB 144	LB 244E
Номинална изходна мощност на двигателя, kW ¹⁰	1,95	2,2
Запалителна система		
Запалителна свещ	Husqvarna HQT-7	Husqvarna HQT-7
Разстояние между електродите, mm	0,7 – 0,8	0,7 – 0,8
Горивна и смазочна система		
Тип на смазването на двигателя	Разпръскване	Разпръскване
Капацитет на резервоара за гориво, l	0,9	0,9
Вместимост на резервоара за масло, l	0,5	0,5
Моторно масло ¹¹	Husqvarna SAE 30, Husqvarna SAE 5W-30 синтетично, Husqvarna SAE 10W-40	Husqvarna SAE 30, Husqvarna SAE 5W-30 синтетично, Husqvarna SAE 10W-40
Тегло		
С празни резервоари, kg	22	23,5
Шумови емисии ¹²		
Ниво на звуковата мощност, измерено, измерена dB (A)	91	92
Ниво на звуковата мощност, гарантирано L _{WA} dB (A)	94	94
Нива на шума ¹³		
Ниво на звуковото налягане при ухото на оператора, dB (A)	79	80
Нива на вибрациите ¹⁴		
Вибрации на горната ръкохватка, m/s ²	7,6	6,0
Режещо оборудване		
Височина на рязане, mm	25 – 75	25 – 75
Ширина на рязане, mm	440	440

¹⁰ Номиналната мощност на двигателя е средната нетна мощност (при указаните об/мин) на стандартен двигател за модела двигател, измерен спрямо SAE стандарта J1349/ISO 1585. Двигателите масово производство може да се отклоняват от тази стойност. Действителната изходна мощност за двигателя, инсталиран на крайния продукт, ще зависи от работната скорост, условията на околната среда и други стойности.

¹¹ Използвайте моторно масло с качество API SJ или по-високо. Ако се използва масло SAE-30 при температура, по-ниска от +5°C, съществува риск двигателят да не бъде смазан достатъчно. Това може да причини повреда на двигателя. Направете справка с *За смяна на моторното масло на страница 31* за правилното масло за ниски температури. Направете справка с таблицата с вискозитети в ръководството на двигателя (ако е включено) и изберете най-добрия вискозитет спрямо очакваната външна температура.

¹² Емисии на шума в околната среда, измерени като звукова мощност (L_{WA}) в съответствие с директива на ЕО 2000/14/ЕО.

¹³ Отчетените данни за нивото на звуковото налягане имат типична статистическа дисперсия (стандартно отклонение) от 1,2 dB (A).

¹⁴ Отчетените данни за нивото на вибрациите имат типична статистическа дисперсия (стандартно отклонение) от 0,2 m/s².

	LB 144	LB 244E
Режеца система	Bioclip®	Bioclip®
Нож – стандартен	Мулчиране 5464584-10	Мулчиране 5464584-10
Система за стартиране		
Електрически стартер	Не	Да
Акумулаторна батерия	-	Литиевойонна, 10,8 V, 21,6 Wh

Декларация за съответствие

Декларация за съответствие на ЕС

Ние, **Husqvarna AB**, SE-561 82 Huskvarna, Швеция,
тел.: +46-36-146500, декларираме на своя собствена
отговорност, че продуктът:

Описание	Косачка за трева
Марка	Husqvarna
Тип/модел	LB 144, LB 244E
Идентификация	Серийни номера от 2023 и нататък

отговаря напълно на следните директиви и
регламенти на ЕС:

Регламент	Описание
2006/42/EO	"относно машините"
2014/30/EC	"относно електромагнитната съвместимост"
2000/14/EO	"относно шумовите емисии в околната среда"
2011/65/EC	"по отношение на ограничението за използване на определени опасни вещества в електрическо и електронно оборудване"

и че следните стандарти и/или
технически характеристики са приложени:
EN ISO 5395-1:2013+A1:2018, EN ISO
5395-2:2013+A1:2016+A2:2017, EN IEC 63000:2018,
EN ISO 14982:2009

Нотифициран орган: 0404, SMP Svensk
Maskinprovning AB, Box 4053, SE-904 03 Umeå,
Sweden, сертифицира за съответствие с Директива
на съвета 2000/14/EO, процедура за оценка на
съответствието: приложение VI.

За информация относно шумови емисии направете
справка с *Технически данни на страница 35*.

Huskvarna, 2023-09-18



Claes Losdal, мениджър "Разработки и развитие/
градински продукти", Husqvarna AB

Отговорен за техническата документация



Obsah

Úvod.....	39	Odstraňování problémů s motorem.....	49
Bezpečnost.....	40	Přeprava, skladování a likvidace.....	50
Montáž.....	43	Technické údaje.....	50
Provoz.....	43	Prohlášení o shodě.....	53
Údržba.....	45		

Úvod

Popis výrobku

Výrobek je rotační sekačka na trávu s pěší obsluhou, která pomocí funkce BioClip umožňuje využít posečenou trávu jako hnojivo.

Popis výrobku

(Obr. 1)

1. Rukojeť brzdy motoru
2. Rukojeť/řídítka
3. Rukojeť startovací šňůry (LB 144)
4. Páka pro nastavení výšky sečení
5. Víčko olejové nádrže a olejová měrka
6. Tlumič výfuku
7. Zapalovací svíčka
8. Zvedací rukojeť
9. Páka pro nastavení výšky řídítek
10. Víčko palivové nádrže
11. Vzduchový filtr
12. Kryt žacího ústrojí
13. Nůž
14. Pružná podložka
15. Šroub nože
16. Baterie, bezpečnostní zařízení (LB 244E)
17. Tlačítko elektrického startéru (LB 244E)
18. Návod k používání

Symboly na výrobku

- (Obr. 2) **VAROVÁNÍ!** Budte opatrní a výrobek používejte správně. Tento výrobek může způsobit obzvláště u dalších osobám vážné zranění.
- (Obr. 3) Před použitím si pozorně prostudujte tento návod k používání a nepoužívejte výrobek, pokud návodu zcela nerozumíte.
- (Obr. 4) Pozor na odvržené a odražené předměty.
- (Obr. 5) Zajistěte, aby se v pracovní oblasti a jejím okolí nezdržovaly nepovolané osoby či zvířata.

Zamýšlené použití

Výrobek používejte k sečení trávy. K jiným činnostem výrobek nepoužívejte.

- (Obr. 6) Varování: Ruce a nohy udržujte mimo dosah rotujícího nože.
- (Obr. 7) Varování: Ruce a nohy udržujte mimo dosah rotujících částí.
- (Obr. 8) Před prováděním oprav a údržby vypněte motor a odpojte kabel zapalování.
- (Obr. 9) Tento výrobek vyhovuje příslušným směrnici ES.
- (Obr. 10) Štítek s emisemi hluku do okolí podle směrnic a předpisů Evropské unie a Spojeného království a nařízení o regulaci hluku v australském Novém Jižním Walesu „Protection of the Environment Operations (Noise Control) Regulation 2017“. Garantovaná hladina akustického výkonu tohoto výrobku je uvedena v části *Technické údaje na straně 50* a na štítku.
- (Obr. 11) Tento výrobek vyhovuje platným předpisům Spojeného království.
- (Obr. 12) Nebezpečí požáru.
- (Obr. 13) Nevdechujte výfukové plyny. Výfukové plyny obsahují oxid uhelnatý, jedovatý a velmi nebezpečný plyn bez zápachu. Nenechávejte motor spuštěný ve vnitřních nebo uzavřených prostorech.
- (Obr. 14) Horký povrch.
- (Obr. 16) Před nastartováním výrobku doplňte do motoru olej.

(Obr. 17) Startovací proces pro LB 144: Zatlácte rukojeť brzdy motoru směrem dolů a tahejte za rukojeť startovací šňůry.

(Obr. 18) Startovací proces pro LB 244E: Zatlácte rukojeť brzdy motoru směrem dolů a stiskněte tlačítko startování.

(Obr. 15) Skenovatelný kód.

Povšimněte si: Další symboly/štítky na produktu se týkají certifikačních požadavků pro další komerční oblasti.

Poškození výrobku

Neneseme odpovědnost za poškození výrobku, pokud:

- byl výrobek nesprávně opraven.
- byl výrobek opraven pomocí součástí od jiného výrobce nebo součástí, které nejsou výrobcem schváleny.
- má výrobek příslušenství od jiného výrobce nebo příslušenství, které není výrobcem schváleno.
- výrobek nebyl opraven ve schváleném servisním středisku nebo schváleným odborníkem.

Emise Euro V



VÝSTRAHA: Manipulace s motorem vede k zneplatnění typového schválení EU tohoto výrobku.

Definice týkající se bezpečnosti

Varování, upozornění a poznámky slouží jako upozornění na specifické důležité části návodu.



VÝSTRAHA: Používá se v případě nebezpečí úrazu nebo usmrcení obsluhy nebo okolních osob, pokud nejsou dodrženy pokyny uvedené v této příručce.



VAROVÁNÍ: Používá se v případě nebezpečí poškození výrobku, dalších materiálů či škod na majetku v blízkém okolí, pokud nejsou dodrženy pokyny uvedené v této příručce.

Povšimněte si: Používá se k poskytnutí dalších informací, které jsou nezbytné v dané situaci.

Obecné bezpečnostní pokyny



VÝSTRAHA: Před použitím výrobku si přečtěte následující varování.

- Tento výrobek je nebezpečný, nepoužívá-li se správně nebo není-li věnována provozu řádná pozornost. Nedodržení bezpečnostních pokynů může vést ke zranění nebo usmrcení.
- Tento výrobek vytváří během provozu elektromagnetické pole. Toto pole může za určitých okolností narušovat funkci aktivních či pasivních implantovaných lékařských přístrojů. Za účelem snížení rizika možného zranění nebo smrtelného úrazu doporučujeme osobám s implantovanými

lékařskými přístroji poradit se před použitím výrobku s lékařem a s výrobcem implantovaného lékařského přístroje.

- Buďte stále opatrní a používejte zdravý rozum. Pokud si nejste jisti, jak výrobek ovládat ve zvláštních situacích, vypněte jej a obraťte se na prodejce Husqvarna, než budete pokračovat v práci.
- Mějte na paměti, že obsluha je odpovědná za nehody a škody vzniklé jiným osobám nebo na jejich majetku.
- Udržujte výrobek čistý. Ujistěte se, že jsou značky a štítky dobře čitelné.
- Nedovolte osobám používat výrobek, nejste-li si jisti, že si přečetly návod k používání a porozuměly jeho obsahu.
- Nedovolte dětem používat výrobek.
- Udržujte děti mimo pracovní oblast. Vždy musí být přítomna zodpovědná dospělá osoba.
- Nedovolte, aby výrobek obsluhovala osoba, která nezná pokyny.
- Vždy dohlížejte na osoby s fyzickým nebo mentálním postižením při práci s výrobkem. Vždy musí být přítomna zodpovědná dospělá osoba.
- Nepoužívejte výrobek, jste-li unavení, nemocní nebo pod vlivem alkoholu, drog nebo léků. To by mohlo ovlivnit váš zrak, ostražitost, koordinaci a úsudek.
- Nepoužívejte výrobek, který je poškozený nebo nefunguje správně.
- Nikdy neupravujte výrobek a nepoužívejte jej, pokud je možné, než jej upravil někdo jiný.
- Neměňte nastavení regulace otáček motoru.

Bezpečnost pracovního prostoru



VÝSTRAHA: Před použitím výrobku si přečtěte následující varování.

- Před použitím výrobku, odklíďte z pracovní oblasti předměty, jako jsou větve, větvičky a kameny.
- Předměty, které mohou být zachyceny žacím ústrojím mohou být odmrštěny a způsobit zranění osob a poškození předmětů. Udržujte osoby v okolí a zvířata v bezpečné vzdálenosti od výrobku.
- Nikdy nepoužívejte výrobek za špatného počasí, jako je mlha, déšť, silný vítr, intenzivní chlad a nebezpečí blesku. Použití výrobku za špatného počasí nebo ve vlhkých či mokrych podmínkách je namáhavé. Nepříznivé počasí může vytvořit nebezpečné podmínky, např. kluzký povrch.
- Dávejte pozor na osoby, předměty a situace, které mohou bránit bezpečnému provozu výrobku.
- Dávejte pozor na překážky, jako jsou kořeny, kameny, větve, díry a příkopy. Vysoká tráva může překážky skrýt.
- Sečení trávy na svazích může být nebezpečné. Nepoužívejte výrobek na svahu se sklonem větším než 15°.
- S výrobkem jezdíte po vrstevnicích. Nepohybuje se na svahu nahoru a dolů.
- Postupujte opatrně v blízkosti skrytých rohů a objektů, které mohou bránit ve výhledu.

Bezpečnost práce



VÝSTRAHA: Před použitím výrobku si přečtěte následující varování.

- Tento výrobek používejte výhradně k sečení trávy. Není dovoleno používat výrobek k jiným činnostem.
- Používejte osobní ochranné prostředky. Další informace naleznete v části *Osobní ochranné prostředky na strani 41*.
- Ujistěte se, že víte, jak v případě nouze rychle zastavit motor.
- Nikdy nespustíte motor v uzavřených prostorech nebo v blízkosti hořlavého materiálu. Výfukové plyny z motoru jsou horké a mohou obsahovat jiskry, které by mohly zažehnout požár.
- Neprovozujte výrobek, pokud není správně namontovaný nůž a všechny kryty. V opačném případě by se mohli nůž uvolnit a způsobit zranění osob.
- Zajistěte, aby nůž nenarazil do předmětů, jako jsou kameny a kořeny. Mohlo by dojít k poškození nože a ohnutí hřídele motoru. Ohnutý hřídel způsobuje velké vibrace a hrozí velmi vysoké riziko uvolnění nože.
- Pokud nůž narazí do nějakého předmětu nebo se objeví vibrace, okamžitě zastavte výrobek. Odpojte

kabel zapalování od zapalovací svíčky. Zkontrolujte, zda není výrobek poškozený. Opravte poškozené díly nebo světe opravu schválenému servisnímu pracovníkovi.

- Po nastartování motoru nikdy nepřipevňujte páku brzdy motoru trvale k rukojeti sekačky.
- Umístěte výrobek na stabilní, rovný povrch a nastartujte jej. Zkontrolujte, zda nůž nemůže přijít do kontaktu se zemí nebo cizími objekty.
- Při provozu vždy stůjte za výrobkem.
- Při provozu nechte všechna kola spočívat na zemi a držte rukojeť oběma rukama. Ruce a nohy udržujte mimo dosah rotujících nožů.
- Nenaklánějte výrobek, když je spuštěný motor.
- Dávejte pozor při tažení výrobku dozadu.
- Nikdy nezvedejte výrobek, když je spuštěný motor. Pokud musíte výrobek zvednout, nejprve vypněte motor a odpojte kabel zapalování od zapalovací svíčky.
- Při provozování výrobku nechoďte směrem dozadu.
- Před přejezdem ploch bez trávy, jako jsou cesty vytvořené ze šterku, kamenů nebo asfaltu, vypněte motor.
- Neběhejte s výrobkem, když je spuštěný motor. Při provozu výrobku vždy pouze chodte.
- Před změnou výšky sečení vypněte motor. Nikdy neprovádějte seřizování při spuštěném motoru.
- Nikdy nenechte výrobek se spuštěným motorem bez dozoru. Vypněte motor a ujistěte se, že se žací ústrojí neotáčí.

Bezpečnostní pokyny pro provoz

Osobní ochranné prostředky



VÝSTRAHA: Před použitím výrobku si přečtěte následující varování.

- Osobní ochranné prostředky nemohou zcela eliminovat nebezpečí úrazu, ale v případě nehody pomáhají snížit míru poranění. Požádejte prodejce, aby vám pomohl vybrat správné vybavení.
- Používejte ochranu sluchu, pokud je hladina hluku vyšší než 85 dB.
- Používejte odolnou obuv s protiskluzovou podrážkou. Nepoužívejte otevřenou obuv ani nepracující naboso.
- Používejte silné, dlouhé kalhoty.
- Při určitých činnostech používejte ochranné rukavice, například při nasazování, prohlídce nebo čištění žacího ústrojí.

Bezpečnostní zařízení na produktu



VÝSTRAHA: Před použitím výrobku si přečtěte následující varování.

- Nepoužívejte výrobek s poškozenými bezpečnostními zařízeními nebo se zařízeními, která nefungují správně.
- Pravidelně kontrolujte bezpečnostní zařízení. Pokud jsou bezpečnostní zařízení poškozená nebo nefungují správně, obraťte se na servis Husqvarna.
- Neprovádějte úpravy bezpečnostních zařízení.

Kontrola krytu žacího ústrojí

Kryt žacího ústrojí snižuje vibrace výrobku a snižuje nebezpečí poranění nožem.

- Zkontrolujte kryt žacího ústrojí, aby bylo zajištěno, že nevykazuje známky poškození, např. praskliny.

Baterie (LB 244E)



VÝSTRAHA: Poškozená baterie snižuje bezpečnost výrobku. Vždy používejte výhradně baterii schválenou výrobcem.

Baterie dodává výkon pro elektrické startování a zároveň je to bezpečnostní zařízení, které brání neúmyslnému startování. Pokud výrobek nepoužíváte nebo pokud ho ponecháváte bez dozoru, vyjměte baterii.

Kontrola rukojeti brzdy motoru

Páka brzdy motoru slouží k zastavení motoru. Když uvolníte páku brzdy motoru, motor se zastaví.

- Nastartujte motor a poté uvolněte rukojeť brzdy motoru. Pokud se motor nevypne během 3 sekund, požádejte schváleného servisního pracovníka Husqvarna o seřízení brzdy motoru. (Obr. 19)

Tlumič výfuku

Tlumič výfuku je určen k omezení úrovně hluku na minimum a k usměrnění výfukových plynů směrem od obsluhy.

Nepoužívejte výrobek bez tlumiče výfuku nebo s poškozeným tlumičem. Poškozený tlumič zvyšuje úroveň hluku a nebezpečí požáru.



VÝSTRAHA: Tlumič výfuku je během provozu a po použití velmi horký, i když motor pracuje na volnoběžné otáčky. Aby se zabránilo požáru, dbejte zvýšené opatrnosti v blízkosti hořlavých materiálů a plynů.

Kontrola tlumiče výfuku

- Pravidelně kontrolujte tlumič výfuku, aby bylo zajištěno, že je řádně upevněný a že není poškozený.

Bezpečnost při manipulaci s palivem



VÝSTRAHA: Před použitím výrobku si přečtěte následující varování.

- Pokud je na výrobku palivo nebo olej, nespouštějte ho. Nechtěné palivo/olej z výrobku odstraňte a nechte výrobek uschnout.
- Pokud si palivem polijete oblečení, okamžitě se převlékněte.
- Zabraňte styku paliva s tělem, může způsobit zranění. Pokud se polijete palivem, omyjte zasažené místo vodou a mýdlem.
- Nepouštějte motor, pokud z něj něco uniká. Pravidelně kontrolujte, jestli z motoru nic neuniká.
- Při manipulaci s palivem buďte opatrní. Palivo je hořlavé a výparu jsou výbušné a mohou způsobit vážné nebo smrtelné zranění.
- Nevdechujte palivové výparu, mohou způsobit zranění. Zjistěte dostatečný průtok vzduchu.
- V blízkosti paliva ani motoru nekuřte.
- Do blízkosti paliva ani motoru neumísťujte horké předměty.
- Nedoplňujte palivo, když je motor zapnutý.
- Než začnete doplňovat palivo, přesvědčte se, že je motor studený.
- Než doplníte palivo, pomalu otevřete uzávěr palivové nádrže a opatrně uvolněte tlak.
- Palivo do motoru nedoplňujte ve vnitřních prostorech. Nedostatečné proudění vzduchu může způsobit zranění nebo smrt udušením nebo otravou oxidem uhelnatým.
- Pevně dotáhněte víčko palivové nádrže. Není-li víčko palivové nádrže dotažené, hrozí nebezpečí požáru.
- Než výrobek spustíte, přejděte s ním minimálně 3 metry od místa, kde jste doplňovali palivo.
- Nenaplňujte palivovou nádrž na maximum. Teplem dochází k rozpinání paliva. V horní části palivové nádrže ponechte volný prostor.
- Výrobek s palivem v palivové nádrži nikdy neskladujte uvnitř budovy, ve které jsou zdroje zapálení, jako jsou horkovodní a sálavá topná tělesa nebo sušičky prádla. Před skladováním v uzavřeném prostoru nechte motor vychladnout.

Bezpečnostní pokyny pro údržbu



VÝSTRAHA: Před použitím výrobku si přečtěte následující varování.

- Výfukové plyny obsahují oxid uhelnatý, jedovatý a velmi nebezpečný plyn bez zápachu. Nenechávejte motor spuštěný ve vnitřních nebo uzavřených prostorech.

- Před prováděním údržby výrobku nejprve vypněte motor a odpojte kabel zapalování od zapalovací svíčky. U LB 244E také vyjměte baterii.
- Při provádění údržby žacího ústrojí používejte ochranné rukavice. Nůž je velmi ostrý a může snadno dojít k pořezání.
- Příslušenství a změny výrobku, které neschválí výrobce, mohou způsobit vážné zranění nebo úmrtí. Neprovádějte změny na výrobku. Vždy používejte vyhradně příslušenství schválené výrobcem.
- Při nesprávném nebo nepravidelném provádění údržby se zvyšuje nebezpečí poranění a poškození výrobku.
- Provádějte pouze údržbu uvedenou v tomto návodu k používání. Veškerý ostatní servis musí provést schválený servisní pracovník Husqvarna.
- Servis výrobku by měl provádět schválený servisní pracovník Husqvarna v pravidelných intervalech.
- Poškozené, opotřebené či prasklé součásti vyměňte.

Montáž

Úvod



VÝSTRAHA: Před montáží výrobku je třeba, abyste si přečetli a porozuměli kapitole o bezpečnosti.



VÝSTRAHA: Před montáží výrobku sejměte koncovku kabelu zapalovací svíčky ze zapalovací svíčky.

Montáž řídítek

1. Zatáhněte řídítka směrem dozadu do koncové polohy. (Obr. 20)

2. Utáhněte knoflíky řídítek. (Obr. 21)

Nastavení výšky řídítek

1. Zkontrolujte, zda je páka pro nastavení výšky v drážce. Pokud páka pro nastavení výšky není v drážce, sešlápněte ji nohou. (Obr. 22)
2. Nohou sešlápněte páku pro nastavení výšky.
3. Umístěte řídítka do správné polohy a uvolněte řídítka. (Obr. 23)

Provoz

Úvod



VÝSTRAHA: Před používáním produktu je třeba, abyste si přečetli a porozuměli kapitole o bezpečnosti.

Husqvarna Connect

Husqvarna Connect je bezplatná aplikace pro mobilní zařízení. Aplikace Husqvarna Connect dodá vašemu výrobku Husqvarna doplňkové funkce:

- Rozšířené informace o výrobku.
- Informace o dílech a servisu a nápověda pro tyto položky.

Jak začít používat aplikaci Husqvarna Connect

1. Stáhněte si aplikaci Husqvarna Connect do svého mobilního zařízení.
2. V aplikaci Husqvarna Connect se zaregistrujte.
3. Při připojování a registraci výrobku postupujte podle pokynů v aplikaci Husqvarna Connect.

Před použitím výrobku

1. Pozorně si prostudujte tento návod k používání a nepoužívejte výrobek, pokud návodu zcela nerozumíte.
2. Zkontrolujte žací ústrojí, aby bylo zajištěno, že je řádně připevněné a nastavené. Další informace jsou uvedeny v části *Kontrola žacího ústrojí na strani 46*.
3. Zkontrolujte hladinu motorového oleje a v případě potřeby jej doplňte. Další informace jsou uvedeny v části *Kontrola hladiny oleje na strani 46*.
4. Naplňte palivovou nádrž. Další informace jsou uvedeny v části *Doplňování paliva na strani 43*.

Doplňování paliva

Pokud možno používejte alkylátové palivo nebo benzin s nízkými emisemi. Není-li k dostání alkylátové palivo nebo benzin s nízkými emisemi, používejte kvalitní bezolovnatý benzin nebo olovnatý benzin s oktanovým číslem nejméně 91.



VAROVÁNÍ: Nepoužívejte benzin s oktanovým číslem nižším než 91 RON. Můžete tím výrobek poškodit.



VAROVÁNÍ: Palivový filtr vyměňujte jednou ročně nebo častěji v případě potřeby. Nový palivový filtr získáte u prodejce Husqvarna.



VAROVÁNÍ: Před doplněním paliva vždy vypněte motor.



VAROVÁNÍ: Nepoužívejte startovací kapaliny pod tlakem.

1. Víčko palivové nádrže otevřete pomalu, aby se uvolnil tlak.
2. Palivo doplňte pomalu z kanystru. Dojde-li k rozlití paliva, otřete jej utěrkou a zbývající palivo nechte vypařit. (Obr. 24)
3. Očistěte plochu kolem víčka palivové nádrže.
4. Pevně dotáhněte víčko palivové nádrže. Není-li víčko palivové nádrže dotažené, hrozí nebezpečí požáru.
5. Než výrobek spustíte, přejděte s ním minimálně 3 metry od místa, kde jste doplňovali palivo.

Nastavení výrobku do provozní polohy

1. Sestavte řídítka. Viz část *Montáž řídítek na strani 43*.
2. Nastavte výšku řídítek. Viz část *Nastavení výšky řídítek na strani 43*.



VAROVÁNÍ: Zkontrolujte, zda kabely nejsou příliš napnuté. Pokud je kabel příliš napnutý, může při složení řídítek do přepravní polohy dojít k jeho poškození.



VÝSTRAHA: Nepoužívejte výrobek, pokud nejsou řídítka zcela vyklopena a nastavena do jedné z příslušných provozních poloh nastavení výšky. Viz část *Nastavení výšky řídítek na strani 43*.

Nastavení výšky sečení

Výšku sečení lze nastavit v 6 krocích.

1. Vypněte motor.
2. Chcete-li zvýšit výšku sečení, posuňte páku pro nastavení výšky sečení dozadu. (Obr. 25)
3. Posunem páky pro nastavení výšky sečení dopředu výšku sečení snížíte.



VAROVÁNÍ: Nenastavujte výšku sečení příliš nízkou. V případě, že není povrch trávníku rovný, mohou nože přijít do styku se zemí.

Spuštění výrobku

- Zkontrolujte, zda je kabel zapalování připojený k zapalovací svíčke.

Ruční startování (LB 144)

1. Postavte se za výrobek.
2. Držte rukojeť brzdy motoru přitisknutou k horní části řídítek. (Obr. 26)
3. Uchopte rukojeť startovací šňůry pravou rukou.
4. Pomalu vytáhněte startovací šňůru, dokud neucítíte odpor.
5. Nastartujte motor silným zatáhnutím za šňůru.



VÝSTRAHA: Nikdy si neomotávejte startovací šňůru kolem ruky.

Elektrické startování ((LB 244E))

1. Zkontrolujte, zda je baterie nabitá. Viz část *Údržba baterie (LB 244E) na strani 48*.
2. Připojte baterii k motoru. Baterie je zajištěná na místě, jakmile uslyšíte cvaknutí. (Obr. 27)
3. Postavte se za výrobek a přitáhněte rukojeť motorové brzdy (A) k horní části řídítek. (Obr. 28)
4. Stiskněte tlačítko startování (B) na 3–5 sekund. Motor se spustí.

Povšimněte si: Pokud motor nenastartujete, počkejte 1 minutu a zkuste výrobek nastartovat znovu.

Zastavení výrobku

- Motor zastavíte uvolněním páky brzdy motoru.

Demontáž baterie (LB 244E)

Když není výrobek v provozu, vyjměte baterii, abyste zabránili neúmyslnému nastartování motoru.

- Stiskněte pojistné tlačítko (A) a vytáhněte baterii směrem nahoru. (Obr. 29)

Jak docílit dobrých výsledků

- Používejte vždy ostrý nůž. Při použití tupého nože je stříh nepravidelný a posečený povrch trávy žlutne. Ostrý nůž také vyžaduje méně energie než tupý nůž.
- Nesekejte více než $\frac{1}{3}$ výšky trávy. Nejprve sekejte se žacími ústrojí nastaveným vysoko. Zkontrolujte výsledek a případně snižte výšku sečení na požadovanou úroveň. Pokud je tráva velmi vysoká, jezděte pomalu a v případě potřeby sekejte 2krát.
- Sekejte vždy v jiném směru, aby na trávníku nevznikly pruhy.

- Udržujte kryt žacího ústrojí čistý. Nahromaděná tráva a nečistoty na vnitřní straně krytu žacího ústrojí mohou snížit výsledek sečení. Další informace jsou uvedeny v části *Čištění vnitřního povrchu krytu žacího ústrojí na strani 46*.

Údržba

Úvod

straně, a ne vespod. Hrozí poškození motoru.



VÝSTRAHA: Před prováděním údržby je třeba, abyste si přečetli kapitolu o bezpečnosti a porozuměli jí.



VAROVÁNÍ: U modelů s elektrickým startováním vyjměte baterii před prováděním údržby, oprav nebo čištění stroje.

Pro servis a opravy výrobku je nezbytné speciální školení. Garantujeme dostupnost profesionálních oprav a servisu. Pokud prodejce neposkytuje servisní služby, požádejte jej o informace o nejbližším servisu.

Podrobnější informace jsou uvedeny v části www.husqvarna.com.

Intervaly údržby se vypočítávají na základě každodenního používání výrobku. Intervaly se mění, není-li výrobek používán denně.

U údržby označené symbolem * vyhledejte pokyny v části *Bezpečnostní zařízení na produktu na strani 41*.

Plán údržby



VAROVÁNÍ: Když nakláníte výrobek, ujistěte se, že vzduchový filtr je na horní

Údržba	Denně	Měsíčně	Každou sezónu
Proveďte běžnou kontrolu.	X		
Zkontrolujte hladinu oleje.	X		
Vyměňte olej (poprvé po 5 h používání, poté po každých 50 h používání). ¹⁵			X
Vyčistěte výrobek.	X		
Očistěte oblast kolem páky pro nastavení výšky řídítek.	X		
Zkontrolujte žací ústrojí.	X		
Zkontrolujte kryt žacího ústrojí.*	X		
Zkontrolujte páku brzdy motoru.*	X		
Zkontrolujte tlumič výfuku.*		X	
Zkontrolujte zapalovací svíčku. V případě potřeby zapalovací svíčku očistěte nebo vyměňte.			X
Zkontrolujte vzduchový filtr.	X		
Vyčistěte vzduchový filtr. ¹⁶		X	
Vyměňte vzduchový filtr.			X

¹⁵ Pokud je výrobek provozován s vysokým zatížením nebo při vysokých okolních teplotách, vyměňujte motorový olej každých 25 hodin.

¹⁶ V prašných podmínkách nebo při výskytu nečistot přenášených vzduchem provádějte čištění častěji. Pokud je vzduchový filtr silně znečištěný, vyměňte jej.

Údržba	Denně	Měsíčně	Každou sezónu
Zkontrolujte palivový systém.			X
Vyčistěte chladicí žebra válce.		X	

Provedení běžné kontroly

- Zajistěte, aby byly všechny matice a šrouby na výrobku správně dotaženy.

Čištění výrobku zvnějšku

- Pomocí kartáče odstraňte listí, trávu a nečistoty.
- Zkontrolujte, zda není přívod vzduchu v horní části motoru ucpaný.
- K čištění produktu nepoužívejte vodu pod vysokým tlakem.
- Pokud používáte vodu k čištění motoru, nestříkejte ji přímo na motor.

Čištění oblasti kolem páky pro nastavení výšky řídítek

- Pomocí kartáče odstraňte listí, trávu a nečistoty. (Obr. 30)

Čištění vnitřního povrchu krytu žacího ústrojí

- Vyprázdňte palivovou nádrž.
- Nakloňte výrobek. Zkontrolujte, zda zapalovací svíčka směřuje vzhůru.



VAROVÁNÍ: Pokud byste položili výrobek se vzduchovým filtrem dole, mohl by se poškodit motor.

- Opláchněte vodou z hadice vnitřní povrch krytu žacího ústrojí.

Kontrola žacího ústrojí



VÝSTRAHA: Aby se zabránilo náhodnému spuštění, odpojte kabel zapalování od zapalovací svíčky.



VÝSTRAHA: Při provádění údržby žacího ústrojí používejte ochranné rukavice. Nůž je velmi ostrý a může snadno dojít k pořezání.

- Zkontrolujte žací ústrojí ohledně poškození a prasklin. Poškozené žací ústrojí vždy vyměňte.
- Prohlédněte nůž a zkontrolujte, zda není poškozený nebo tupý.

Povšimněte si: Po ostření je nezbytné nůž vyvážit. Výměnu, ostření a vyvážení nože svěřte servisnímu středisku. Dojde-li k nárazu do překážky, po kterém dochází k vypínání výrobku, vyměňte poškozený nůž. O tom, zda je možné nůž nabrousit či zda je nutné ho vyměnit, rozhodne servisní středisko.

Postup výměny nože

- Zajistěte nůž pomocí dřevěného špalíku. (Obr. 31)
- Demontujte šroub nože a pružnou podložku.
- Demontujte nůž.
- Prohlédněte držák nože a šroub nože a zkontrolujte, zda nejsou poškozené.
- Prohlédněte hřídel motoru a ujistěte se, zda není ohnutý.
- Při montáži nového nože nasměrujte zahnuté konce nože ve směru krytu žacího ústrojí. (Obr. 32)
- Zkontrolujte, zda je nůž zarovnaný se středem hřídele motoru.
- Zajistěte nůž pomocí dřevěného špalíku. Nasadte pružnou podložku a utáhněte šroub a podložku utahovacím momentem 44-46 Nm. (Obr. 33)
- Otočte nožem rukou a zkontrolujte, zda se volně otáčí.
- Nastartujte výrobek a proveďte test nože. Pokud není nůž správně připevněn, výrobek vibruje a výsledky sečení nejsou uspokojivé.



VÝSTRAHA: Používejte odolné rukavice. Nůž je velmi ostrý a může snadno dojít k pořezání.

Kontrola hladiny oleje



VAROVÁNÍ: Příliš nízká hladina oleje může způsobit poškození motoru. Před spuštěním výrobku zkontrolujte hladinu oleje.

- Umístěte výrobek na rovnou plochu.
- Sejměte víčko olejové nádrže s olejovou měrkou.
- Setřete olej z olejové měrky.
- Zasuňte měrku až na doraz do olejové nádrže.
 - Nepřipevňujte víčko olejové nádrže u modelu LB 144.
 - Připevňujte víčko olejové nádrže u modelu LB 244E.

5. Odmontujte víčko olejové nádrže a olejovou měrku.
 6. Zkontrolujte hladinu oleje na olejové měrce.
 7. Pokud je hladina nízká, doplňte motorový olej a znovu zkontrolujte hladinu oleje. (Obr. 34)
-
- Povšimněte si:** Použijte trychtýř, aby nedošlo k rozlítí.
8. Když je hladina oleje správná, nasadte víčko olejové nádrže.

Výměna motorového oleje



VÝSTRAHA: Motorový olej je bezprostředně po vypnutí motoru velmi horký. Před vypuštěním nechte motorový olej vychladnout. Pokud si potřísníte pokožku motorovým olejem, omyjte ji mýdlem a vodou.

(Obr. 35)

1. Nechte výrobek běžet, dokud nebude palivová nádrž prázdná.
2. Odmontujte kabel zapalování od zapalovací svíčky.
3. Sejměte víčko olejové nádrže s olejovou měrkou.
4. Umístěte nádobu pod výrobek tak, aby do něj mohl vytéct motorový olej.
5. Nakloňte výrobek nebo vypusťte motorový olej z olejové nádrže pomocí olejového čerpadla (příslušenství).
6. Doplňte nový motorový olej typu doporučeného v části *Technické údaje na strani 50*.
7. Zkontrolujte hladinu oleje. Další informace jsou uvedeny v části *Kontrola hladiny oleje na strani 46*.
8. Když je hladina oleje správná, nasadte víčko olejové nádrže.

Vzduchový filtr

Znečištěný vzduchový filtr může vést k poškození motoru nebo k jeho nesprávnému fungování. V prašných podmínkách provádějte údržbu vzduchového filtru častěji. Viz část *Plán údržby na strani 45* s informacemi, kdy vyměnit vzduchový filtr.

Povšimněte si: Poškozený vzduchový filtr vždy vyměňte.

Demontáž a montáž vzduchového filtru (LB 244E)



VÝSTRAHA: Používejte ochranné rukavice.

1. Stiskněte spony na krytu vzduchového filtru.

2. Opatrně sejměte kryt vzduchového filtru (A) z motoru.
3. Demontujte vzduchový filtr (B). (Obr. 36)
4. Zkontrolujte, jestli není vzduchový filtr poškozený. Poškozený vzduchový filtr vyměňte.
5. Vyčistěte a prohlédněte vzduchový filtr. Další informace jsou uvedeny v části *Čištění vzduchového filtru (LB 244E) na strani 47*.
6. Montáž proveďte v opačném pořadí.

Čištění vzduchového filtru (LB 244E)

Znečištěný vzduchový filtr může vést k poškození motoru nebo k jeho nesprávnému fungování. V prašných podmínkách provádějte údržbu čističe vzduchu častěji.

Viz část *Plán údržby na strani 45* s informacemi, kdy vyměnit vzduchový filtr.

1. Odmontujte kryt vzduchového filtru a filtr.
2. Vyčistěte filtr poklepáním o rovný povrch. K čištění filtru nepoužívejte ředidla na bázi petroleje, kerosin ani stlačený vzduch.

Povšimněte si: Vzduchové filtry, které byly dlouho v provozu, nelze zcela vyčistit. Vzduchový filtr vyměňujte v pravidelných intervalech. Poškozené vzduchové filtry je nutno vždy vyměnit.

3. Při montáži vzduchového filtru zkontrolujte, zda plně těsní proti svému držáku.

Čištění pěnového plastového filtru (LB 144)



VAROVÁNÍ: Nestartujte motor bez vzduchových filtrů. Opořebení motoru se zvýší, pokud je vzduch znečištěný.

1. Demontujte kryt vzduchového filtru (A). (Obr. 37)
2. Vyměňte filtry z pěnové umělé hmoty (B).



VAROVÁNÍ: Zkontrolujte pěnové plastové filtry, zda nejsou poškozené nebo opotřebené. Vyměňte všechny poškozené pěnové plastové filtry.

3. Vyčistěte pěnové plastové filtry mýdlem a vodou.
4. Opláchněte pěnové plastové filtry čistou vodou.
5. Vymačkejte vodu z pěnových plastových filtrů a nechte je vyschnout.



VAROVÁNÍ: Nepoužívejte stlačený vzduch. Mohl by poškodit pěnový plastový filtr.

6. Promažte pěnové plastové filtry motorovým olejem.
7. Zatlačte čistou utěrku na pěnový plastový filtr, aby se odstranil nadbytečný olej.

- Namontujte pěnové plastové filtry. Zkontrolujte, zda pěnové plastové filtry dokonale přiléhají k držáku vzduchového filtru.
- Namontujte kryt vzduchového filtru.

Údržba baterie (LB 244E)

Baterie je bezúdržbová. Servis baterie může v případě potřeby provádět pouze schválené servisní středisko.

První použití baterie (LB 244E)



VAROVÁNÍ: Nenechte baterii úplně vybit. Pokud se baterie vybije, může dojít k jejímu poškození.

Před prvním použitím je nutné baterii nabít.

- Připojte k baterii nabíječku, viz část *Nabití baterie (LB 244E) na strani 48*.
- Počkejte, dokud se nerozsvítí alespoň jedna zelená kontrolka LED.
- Připojte baterii k motoru, viz část *Elektrické startování ((LB 244E)) na strani 44*.

Nabití baterie (LB 244E)

Pokud na indikátoru baterie nesvítí žádná nebo svítí jen jedna kontrolka, je nutné ji nabít. Plné nabití vybité baterie trvá 2 hodiny. Kratší doba nabíjení baterii nepoškodí.

- Připojte nabíječku k baterii. (Obr. 38)
- Připojte nabíječku baterii k elektrické zásuvce 100–240 V, 50–60 Hz.
- Nejprve odpojte nabíječku od elektrické zásuvky a teprve poté od baterie.

Stav nabití baterie

Zobrazení kontrolky LED na baterii	Stav
Kontrolka LED 1 bliká červeně.	1–9 %
Kontrolka LED 1 svítí červeně.	10–32 %
Kontrolka LED 1 svítí zeleně a kontrolka LED 2 červeně.	33–54 %
Kontrolky LED 1 a 2 svítí zeleně a kontrolka LED 3 červeně.	55–77 %
Kontrolky LED 1, 2 a 3 svítí zeleně a kontrolka LED 4 červeně.	78–100 %

Indikátor na nabíječce baterii	Stav
Nepřerušované červené světlo	Baterie se nabíjí.

Indikátor na nabíječce baterii	Stav
Nepřerušované zelené světlo	Baterie je plně nabitá.

Kontrola zapalovací svíčky



VAROVÁNÍ: Vždy používejte doporučený typ zapalovacích svíček. Nesprávný typ zapalovací svíčky může způsobit poškození výrobku.

- Zkontrolujte zapalovací svíčku, pokud má motor malý výkon, špatně startuje nebo nefunguje správně ve volnoběžných otáčkách.
- Aby se snížilo nebezpečí přítomnosti nechtěných materiálů na elektrodách zapalovací svíčky, dodržujte tyto pokyny:
 - Zkontrolujte, zda jsou správně nastaveny volnoběžné otáčky.
 - Zkontrolujte správnost palivové směsi.
 - Zkontrolujte, zda je vzduchový filtr čistý.
- Jestliže je zapalovací svíčka znečištěná, vyčistěte ji a zkontrolujte, zda je elektrodová vzdálenost zapalovací svíčky správná, viz část *Technické údaje na strani 50*. (Obr. 39)
- V případě potřeby zapalovací svíčku vyměňte.

Kontrola palivového systému

- Prohlédněte víčko palivové nádrže a těsnění víčka a ujistěte se, že nejsou poškozené.
- Prohlédněte hadici přívodu paliva a ujistěte se, že nedochází k úniku. Pokud je hadice přívodu paliva poškozená, požádejte servisního pracovníka o výměnu.

Vypuštění palivové nádrže

- Pod palivovou nádrž umístěte nádobu.
- Odšroubujte víčko palivové nádrže.
- Zatlačte na hadicové svorky na hadici přívodu paliva proti karburátoru.
- Demontujte hadice přívodu paliva od karburátoru.
- Vložte hadici palivové nádrže do nádoby a odstraňte hadicové svorky.
- Nakloňte výrobek a nechte palivo vytéct do nádoby.

Výměna palivového filtru



VÝSTRAHA: Používejte ochranné rukavice.

- Vypust'te palivovou nádrž.
- Sejměte hadicovou sponu z palivové nádrže. (Obr. 40)

3. Demontujte hadici přívodu paliva z palivové nádrže. Může uniknout malé množství paliva. (Obr. 41)
4. Demontujte palivový filtr z palivové nádrže. (Obr. 42)
5. Vložte do palivové nádrže nový palivový filtr.
6. Připevněte hadici přívodu paliva k palivové nádrži.
7. Připevněte hadicovou sponu k palivové nádrži.

Odstraňování problémů s motorem

Problém	Možná příčina	Řešení
Motor nestartuje.	Kabel zapalování není správně připojen.	Připojte kabel zapalování k zapalovací svíčke.
	Palivová nádrž je prázdná.	Doplňte do palivové nádrže palivo správného typu.
	Palivo je staré.	Vyprázdněte palivovou nádrž a karburátor. Doplňte nový benzín.
	V karburátoru nebo vedení paliva jsou nečistoty.	Vyčistěte karburátor nebo vedení paliva.
	Zapalovací svíčka je poškozená.	Upravte vzdálenost elektrod a vyčistěte nebo vyměňte svíčku.
	Na zapalovací svíčke je palivo.	Vyčistěte zapalovací svíčku.
Motor se nezastaví.	Mechanismus zastavení nefunguje správně.	Odpojte kabel zapalování od zapalovací svíčky. Opravu tohoto výrobku svěťte schválenému servisu.
Motor neběží plynule.	Kabel zapalování není správně připojen.	Připojte kabel zapalování k zapalovací svíčke.
	Ve vedení paliva jsou nečistoty nebo je palivo příliš staré.	Vyčistěte vedení paliva. Doplňte do palivové nádrže nové palivo správného typu.
	Víčko palivové nádrže je zablokované.	Očistěte víčko palivové nádrže.
	V palivovém systému je voda nebo nečistoty.	Vypusťte palivovou nádrž. Doplňte do palivové nádrže nové palivo správného typu.
	Vzduchový filtr je znečištěný.	Vyčistěte vzduchový filtr.
	Karburátor je nutné seřídít.	Nechte karburátor seřídít u servisního prodejce.
Teplota motoru je příliš vysoká.	Příliš nízká hladina motorového oleje.	Doplňte motorový olej.
	Proudění vzduchu není dostatečné.	Vyčistěte vzduchový filtr a kryt vzduchového filtru.
	Karburátor je nutné seřídít.	Nechte karburátor seřídít u servisního prodejce.
Při vysokých otáčkách motor vynechává.	Vzdálenost elektrod v zapalovací svíčke je příliš malá.	Seřídte vzdálenost elektrod.
Neobvyklé zvuky z motoru při normálním zatížení.	Nesprávný typ benzínu.	Vyprázdněte palivovou nádrž a karburátor. Doplňte nový benzín. Viz část <i>Kontrola palivového systému na strani 48</i> . Pokud potíže přetrvávají, obraťte se na místní servis.

Problém	Možná příčina	Řešení
Motor nefunguje plynule ve volnoběžných otáčkách.	Zapalovací svíčka je znečištěná, poškozená nebo elektrodová vzdálenost je příliš velká.	Upravte vzdálenost elektrod nebo vyměňte svíčku.
	Karburátor je nutné seřídit.	Seříďte karburátor.
	Vzduchový filtr je znečištěný.	Vyčistěte vzduchový filtr.

Přeprava, skladování a likvidace

Přeprava a skladování

- Před uskladněním a přepravou výrobku či paliva zkontrolujte, zda nejsou přítomny známky úniku nebo výparů. Jiskry a otevřený oheň, například z elektrických zařízení nebo kotlů, mohou zažehnout požár.
- Vždy používejte schválené nádoby na skladování a přepravu paliva.
- Před dlouhodobým skladováním výrobku vyprázdněte palivovou nádrž. Odevzdejte palivo na příslušném sběrném místě
- Během přepravy musí být výrobek bezpečně upevněný, aby se zabránilo jeho poškození a nehodám.
- Skladujte výrobek na uzamčeném místě, aby se zamezilo přístupů dětí a neoprávněných osob.
- Uchovávejte výrobek na suchém a bezprašném místě.

Nastavení produktu do přepravní polohy

1. Povolte knoflíky řídítek. (Obr. 43)
2. Sklopte řídítka dopředu do koncové polohy. (Obr. 44)

Přeprava a skladování baterie a nabíječky

- Nevýjímajte baterii, dokud výrobek nestojí na místě a není vychladlý. Chcete-li vyjmout baterii, stiskněte a podržte tlačítko na horní straně baterie a vyjměte ji ze slotu.

- Pokud baterii skladujete déle než 30 dní, nabijte ji, aby svítily více než 3 zelené kontrolky.
- Baterii nabíjejte každé 3 měsíce, aby nedošlo k jejímu poškození.
- Baterii a nabíječku je třeba skladovat při teplotě 5 °C až 40 °C. Vyšší teploty nebo zdroje vysoké teploty, např. oheň, mohou baterii poškodit.
- Nerozebírejte baterii.
- Neponořujte baterii do vody. Uchovávejte baterii na chladném, suchém a dobře větraném místě.
- Pokud je během provozu, uskladnění nebo nabíjení baterie cítit zápach, je horká nebo pokud horko způsobí její deformaci, demontujte baterii a nepoužívejte ji.
- Zajistěte, aby byly baterie a nabíječka během přepravy upevněny, aby nedošlo k jejich poškození.
- Zajistěte, aby se nabíječka baterií nepřehřívala.

Likvidace

- Dodržujte místní požadavky ohledně recyklace a platné předpisy.
- Odevzdejte všechny chemikálie, například motorový olej nebo nemrznoucí směs, v servisním středisku nebo na příslušném sběrném místě.
- Nehodláte-li výrobek dále používat, odešlete jej prodejci Husqvarna nebo jej dopravte do recyklační stanice.
- Odevzdejte baterii v servisním středisku nebo ve sběrném místě jako použitou baterii.

Technické údaje

Technické údaje

	LB 144	LB 244E
Motor		

	LB 144	LB 244E
Značka	Husqvarna	Husqvarna
Model	HS 123A	HS 139AE
Typ motoru	Jednoválcový, čtyřdobý, nucené chlazení vzduchem, rozvod OHV	Jednoválcový, čtyřdobý, nucené chlazení vzduchem, rozvod OHV
Zdvihový objem, cm ³	123	139
Otáčky motoru – jmenovité, ot/min	3000/min	2900/min
Jmenovitý výkon motoru, kW ¹⁷	1,95	2,2
Systém zapalování		
Zapalovací svíčka	Husqvarna HQT–7	Husqvarna HQT–7
Elektrodová vzdálenost, mm	0,7–0,8	0,7–0,8
Systém mazání a palivový systém		
Typ mazání motoru	Rozstříkovací	Rozstříkovací
Objem palivové nádrže, l	0,9	0,9
Objem olejové nádrže, litry	0,5	0,5
Motorový olej ¹⁸	Husqvarna SAE 30, Husqvarna SAE 5W-30 Synthetic, Husqvarna SAE 10W-40	Husqvarna SAE 30, Husqvarna SAE 5W-30 Synthetic, Husqvarna SAE 10W-40
Hmotnost		
S prázdnými nádržemi, kg	22	23,5
Emise hluku¹⁹		
Hladina akustického výkonu, změřená dB (A)	91	92
Hladina akustického výkonu, zaručená L _{WA} dB (A)	94	94
Hladiny hluku²⁰		
Hladina akustického tlaku na sluch obsluhy, dB (A)	79	80
Úrovně vibrací²¹		
Vibrace na horní části řídítek, m/s ²	7,6	6
Žací ústrojí		
Výška sečení, mm	25–75	25–75

¹⁷ Uvedený jmenovitý výkon motoru je průměrný čistý výkon (při specifikovaných ot/min) typického motoru pro model motoru měřený podle normy SAE J1349/ISO1585. Sériově vyráběné motory se od této hodnoty mohou lišit. Skutečný výstupní výkon motoru instalovaného na konečném výrobku závisí na provozních otáčkách, povětrnostních podmínkách a dalších hodnotách.

¹⁸ Použijte pouze motorový olej kvality API SJ nebo vyšší. Pokud použijete olej SAE-30 při teplotě nižší než +5 °C, hrozí nebezpečí nedostatečného promazání motoru. Může dojít k poškození motoru. Správný olej pro nízké teploty najdete v části *Výměna motorového oleje na straně 47*. Podívejte se do tabulky viskozity v návodu k motoru (pokud je k dispozici) a vyberte nejlepší viskozitu podle předpokládané venkovní teploty.

¹⁹ Emise hluku do okolního prostředí měřené jako akustický výkon (L_{WA}) v souladu se směrnicí 2000/14/ES.

²⁰ Uváděná data pro hladinu tlaku zvuku mají typickou statistickou odchylku (standardní odchylku) 1,2 dB (A).

²¹ Uváděná data o úrovni vibrací mají typickou statistickou odchylku (standardní odchylku) 0,2 m/s².

	LB 144	LB 244E
Šířka sečení, mm	440	440
Žací systém	Bioclip®	Bioclip®
Nůž – standardní	Mulčovací 5464584-10	Mulčovací 5464584-10
Systém startování		
Elektrický startér	Ne	Ano
Baterie	-	Li-Ion, 10,8 V, 21,6 Wh

Prohlášení o shodě

Prohlášení o shodě EU

Společnost **Husqvarna AB**, SE-561 82 Huskvarna,
Švédsko, tel.: +46-36-146500, na svou výhradní
odpovědnost prohlašuje, že výrobek:

Popis	Sekačka na trávu
Značka	Husqvarna
Typ/Model	LB 144, LB 244E
Identifikace	Výrobní čísla od roku 2023 a dále

je zcela ve shodě s následujícími směrnici a předpisy
EU:

Nařízení	Popis
2006/42/ES	„o strojních zařízeních“
2014/30/EU	„o elektromagnetické kompatibilitě“
2000/14/ES	„týkající se emisí hluku do okolního prostředí“
2011/65/EU	„o omezení používání některých nebezpečných látek v elektrických a elektronických zařízeních“

a že byly použity následující normy nebo technické
specifikace: EN ISO 5395-1:2013+A1:2018, EN ISO
5395-2:2013+A1:2016+A2:2017, EN IEC 63000:2018,
EN ISO 14982:2009

Oznámený subjekt: 0404, SMP Svensk Maskinprovning
AB, Box 4053, SE-904 03 Umeå, Sweden obdržel
osvědčení o shodě se směrnicí rady 2000/14/ES, postup
posouzení shody: Dodatek VI.

Informace o emisích hluku najdete v části *Technické
údaje na strani 50*.

Huskvarna, 2023-09-18



Claes Losdal, ředitel vývoje zahradního sortimentu,
Husqvarna AB

Osoba odpovědná za technickou dokumentaci



Indhold

Indledning.....	54	Fejlfinding af motor.....	64
Sikkerhed.....	55	Transport, opbevaring og bortskaffelse.....	65
Montering.....	58	Tekniske data.....	65
Drift.....	58	Overensstemmelseserklæring.....	68
Vedligeholdelse.....	60		

Indledning

Produktbeskrivelse

Produktet er en roterende plæneklipper med gående fører, der anvender BioClip til at klippe græsset til gødning.

Produktoversigt

(Fig. 1)

1. Motorbremsehåndtag
2. Håndtag/styr
3. Startsnorens håndtag (LB 144)
4. Klippehøjdehåndtag
5. Oliedæksel og oliepinde
6. Lyddæmper
7. Tændrør
8. Løftehåndtag
9. Højdejusteringsbøjle til styrestangen
10. Brændstoftankdæksel
11. Luffilter
12. Klippebord
13. Kniv
14. Fjederskive
15. Knivbolt
16. Batteri, sikkerhedsanordning (LB 244E,)
17. Elektrisk startknap (LB 244E,)
18. Brugervejledning

Symboler på produktet

- (Fig. 2) **ADVARSEL!** Vær forsigtig, og brug produktet korrekt. Dette produkt kan forårsage alvorlig personskade eller død for brugeren eller andre.
- (Fig. 3) Læs brugervejledningen omhyggeligt igennem, og sørg for at have forstået instruktionerne, inden du bruger produktet.
- (Fig. 4) Pas på udslyngede genstande og rikolettering.
- (Fig. 5) Hold uvedkommende personer og dyr på sikker afstand af arbejdsstedet.

Anvendelsesformål

Brug produktet til at slå græs. Brug ikke produktet til andre opgaver.

- (Fig. 6) **Advarsel:** Hold hænder og fødder på sikker afstand af den roterende kniv.
- (Fig. 7) **Advarsel:** Hold hænder og fødder på sikker afstand af bevægelige dele.
- (Fig. 8) Stands motoren, og fjern tændingskablet, før der udføres reparationer eller vedligeholdelsesarbejde.
- (Fig. 9) Dette produkt er i overensstemmelse med gældende EF-direktiver.
- (Fig. 10) Mærkat vedrørende emission af støj til omgivelserne i henhold til direktiver og regulativer i EU og Storbritannien og New South Wales' lovgivning om "Beskyttelse af miljøet (støjbegrensning) forordning 2017". Produktets garanterede lydeffektniveau er angivet i *Tekniske data på side 65* og på mærkaten.
- (Fig. 11) Dette produkt er i overensstemmelse med gældende UK-bestemmelser.
- (Fig. 12) Brandfare.
- (Fig. 13) Indånd ikke udstødningsgasser. Udstødningsgasserne fra motoren indeholder kulilte, som er en lugtfri, giftig og meget farlig gasart. Undlad at starte motoren indendørs eller i lukkede rum.
- (Fig. 14) Varm overflade.
- (Fig. 16) Fyld motoren med olie, før du starter produktet.

(Fig. 17) Startprocedure for LB 144:
Skub motorbremsehåndtaget ned, og træk i startsnorens håndtag.

(Fig. 18) Startprocedure for LB 244E:
Tryk motorbremsehåndtaget ned, og tryk på startknappen.

(Fig. 15) Kode, der kan scannes.

Bemærk: Andre symboler/mærkater på produktet henviser til certificeringskrav i andre handelsområder.

Skader på produktet

Vi er ikke ansvarlige for skader på vores produkt, hvis:

- produktet er forkert repareret.
- produktet er repareret med dele, der ikke er fra producenten eller ikke er godkendt af producenten
- produktet har tilbehør, der ikke er fra producenten eller ikke er godkendt af producenten.
- produktet ikke er repareret på et godkendt servicecenter eller af en godkendt myndighed.

Euro V-emissioner



ADVARSEL: Ved manipulation af motoren bortfalder EU-typegodkendelsen af dette produkt.

Sikkerhed

Sikkerhedsdefinitioner

Advarsler, forholdsregler og bemærkninger bruges til at pege på særligt vigtige dele af brugsanvisningen.



ADVARSEL: Bruges, hvis føreren udsætter sig selv eller omkringstående personer for risiko for personskade eller dødsfald ved tilsidesættelse af instruktionerne i brugsanvisningen.



BEMÆRK: Bruges, hvis der er risiko for skader på produktet, andre materialer eller det omgivende område ved tilsidesættelse af instruktionerne i brugsanvisningen.

Bemærk: Bruges til at give yderligere oplysninger, der er nødvendige i en given situation.

Generelle sikkerhedsinstruktioner



ADVARSEL: Læs følgende advarselsinstruktioner, inden du bruger produktet.

- Dette produkt er farligt, hvis det bruges forkert, eller hvis du ikke er forsigtig. Personskade eller dødsfald kan forekomme, hvis du ikke overholder sikkerhedsinstruktionerne.
- Dette produkt danner et elektromagnetisk felt under betjening. Dette felt kan i visse tilfælde påvirke aktive eller passive medicinske implantater. For at reducere risikoen for alvorlige eller dødbringende kvæstelser anbefaler vi, at personer med medicinske implantater kontakter deres læge og producenten af

det medicinske implantat, før de tager produktet i brug.

- Vær altid forsigtig, og brug din sunde fornuft. Hvis du ikke er sikker på, hvordan produktet betjenes en særlig situation: Stop, og kontakt Husqvarna-forhandleren, inden du fortsætter.
- Vær opmærksom på, at brugeren er ansvarlig for ulykker, der involverer andre personer eller disses ejendom.
- Hold produktet rent. Sørg for, at skilte og mærkater er tydeligt læsbare.
- Lad ikke en person bruge produktet, medmindre du er sikker på, at vedkommende har læst og forstået indholdet i denne brugervejledning.
- Lad ikke børn betjene produktet.
- Hold børn væk fra arbejdsområdet. En voksen skal være til stede hele tiden.
- Lad ikke en person uden kendskab til anvisningerne betjene produktet.
- Hold altid øje med personer med nedsat fysisk eller mental kapacitet, der bruger produktet. En voksen skal være til stede hele tiden.
- Brug ikke produktet, hvis du er træt, syg eller påvirket af alkohol, narkotika eller medicin. Det har en negativ virkning på synet, overblikket, koordinationssevnen og dømmekraften.
- Brug ikke et produkt, der er beskadiget eller ikke fungerer korrekt.
- Foretag ikke ændringer på produktet, og undlad at bruge det, hvis der er risiko for, at det er blevet ændret af andre.
- Foretag ikke ændringer i justeringen af motoromdrejningsstyringen.

Sikkerhed i arbejdsområdet



ADVARSEL: Læs følgende advarselsinstruktioner, inden du bruger produktet.

- Fjern genstande såsom grene, kviste og sten fra arbejdsområdet, inden du bruger produktet.
- Genstande, som rammer skæreudstyret, kan udslynges og forårsage person- og tingskade. Hold omkringstående personer og dyr på sikker afstand af produktet.
- Undlad at bruge produktet i dårligt vejr, som f.eks. tåge, regn, hård vind, kraftig kulde og ved risiko for lynnedslag. Det kan være trættende at bruge produktet i dårligt vejr eller i fugtige eller våde områder. Dårligt vejr kan medføre farlige forhold, f.eks. glatte underlag.
- Pas på personer, genstande og situationer, som kan forhindre sikker brug af produktet.
- Pas på forhindringer som f.eks. rødder, sten, kviste, huller og grøfter. Langt græs kan skjule hindringer.
- Det kan være farligt at klippe græs på skråninger. Brug ikke produktet på skråninger, der hælder mere end 15°.
- Lad produktet køre på tværs af skråninger. Kør ikke op og ned.
- Vær forsigtig, når du nærmer dig uoverskuelige hjørner og genstande, som blokerer for udsynet.

Arbejdssikkerhed



ADVARSEL: Læs følgende advarselsinstruktioner, inden du bruger produktet.

- Brug kun produktet til græsslåning. Det er ikke tilladt at bruge det til andre opgaver.
- Bær personligt beskyttelsesudstyr. Se *Personligt beskyttelsesudstyr på side 56*.
- Sørg for, at du ved, hvordan du standser motoren hurtigt i nødstilfælde.
- Start aldrig motoren i et lukket rum eller i nærheden af brandfarlige materialer. Motorens udstødningsgasser er varme og kan indeholde gnister, som kan forårsage brand.
- Betjen ikke produktet, medmindre klingens og alle afskærmninger er monteret korrekt. En forkert monteret klinge kan løsne sig og forårsage personskade.
- Sørg for, at klingens ikke rammer genstande som f.eks. sten og rødder. Det kan beskadige kniven og bøje motorakslens. En bøjet aksel giver kraftige vibrationer og stor risiko for, at kniven løsner sig.
- Hvis kniven rammer en genstand, eller der opstår vibrationer, skal du straks standse produktet. Tag tændkablet af tændrøret. Undersøg, om produktet er blevet beskadiget. Reparer skader, eller lad et autoriseret serviceværksted udføre reparationen.

- Fastgør aldrig motorbremsehåndtaget permanent på styret, når motoren er startet.
- Anbring produktet på et stabilt, fladt underlag, og start det. Sørg for, at kniven ikke rammer jorden eller andre genstande.
- Hold dig altid bag produktet, mens du betjener det.
- Lad alle hjulene blive på jorden, og hold 2 hænder på styret, når du betjener produktet. Hold hænder og fødder på sikker afstand af de roterende klinger.
- Tip ikke produktet, når motoren er startet.
- Vær forsigtig, når du trækker produktet baglæns.
- Løft aldrig produktet, når motoren er startet. Hvis du skal løfte produktet, skal du først standse motoren og frakoble tændkablet fra tændrøret.
- Gå ikke baglæns, når du bruger produktet.
- Stands motoren, når du bevæger dig hen over områder uden græs, f.eks. stier med grus, sten og asfalt.
- Undlad at køre med produktet, når motoren er startet. Gå altid fremad, når du bruger produktet.
- Stands motoren, inden du ændrer klippehøjden. Foretag aldrig justeringer, når motoren er startet.
- Efterlad aldrig produktet uden opsyn, når motoren er startet. Stands motoren, og sørg for, at skæreudstyret ikke roterer.

Sikkerhedsinstruktioner for drift

Personligt beskyttelsesudstyr



ADVARSEL: Læs følgende advarselsinstruktioner, inden du bruger produktet.

- Personligt beskyttelsesudstyr udelukker ikke fuldstændigt risikoen for personskader, men det mindsker graden af skaderne i tilfælde af, at der skulle ske en ulykke. Lad forhandleren hjælpe dig med at vælge det rigtige udstyr.
- Brug høreværn, hvis støjniveauet er højere end 85 dB.
- Brug kraftige, skridsikre støvler eller sko. Brug ikke åbne sko, og gå heller ikke på bare fødder.
- Brug kraftige, lange bukser.
- Brug om nødvendigt beskyttelseshandsker, f.eks. ved montering, eftersyn eller rengøring af skæreudstyret.

Sikkerhedsanordninger på produktet



ADVARSEL: Læs følgende advarselsinstruktioner, inden du bruger produktet.

- Brug ikke et produkt med sikkerhedsanordninger, der er beskadigede eller ikke fungerer korrekt.
- Kontrollér sikkerhedsanordningerne regelmæssigt. Hvis sikkerhedsanordningerne er beskadigede eller

ikke fungerer korrekt, skal du kontakte din Husqvarna-serviceforhandler.

- Foretag ikke ændringer på sikkerhedsanordninger.

Sådan kontrolleres klippeskjoldet

Klippeskjoldet mindsker vibrationer i produktet og reducerer risikoen for skader fra klingene.

- Undersøg klippeskjoldet for at sikre, at der ikke er skader såsom revner.

Batteri (LB 244E)



ADVARSEL: Et beskadiget batteri forringer produktets sikkerhed. Brug altid et batteri, der er godkendt af producenten.

Batteriet giver strøm til den elektriske starter og er en sikkerhedsanordning, der forhindrer utilsigtet start. Fjern batteriet, når du ikke bruger produktet, og når du efterlader det ude af syne.

Sådan kontrolleres motorbremsehåndtaget.

Motorbremsehåndtaget standser motoren. Når motorbremsehåndtaget slippes, standser motoren.

- Start motoren, og slip derefter motorbremsehåndtaget. Hvis motoren ikke standser inden for 3 sekunder, skal et godkendt Husqvarna serviceværksted justere motorbremsen. (Fig. 19)

Lyddæmper

Lyddæmperen sikrer et minimalt støjniveau og sender udstødningsgasserne væk fra føreren.

Brug ikke produktet, hvis lyddæmperen mangler eller er beskadiget. En beskadiget lyddæmper øger støjniveauet og risikoen for brand.



ADVARSEL: Lyddæmperen bliver meget varm under og efter brug, og når motoren kører i tomgang. Vær forsigtig i nærheden af brandfarlige materialer og/eller dampe for at forhindre brand.

Sådan kontrolleres lyddæmperen

- Efterse lyddæmperen regelmæssigt for at sikre, at den er monteret korrekt og ikke er beskadiget.

Brændstofsikkerhed



ADVARSEL: Læs følgende advarselsinstruktioner, inden du bruger produktet.

- Start ikke produktet, hvis der er brændstof eller motorolie på produktet. Fjern uønsket brændstof/olie og lad produktet tørre.

- Hvis du får brændstof på dit tøj, skal du skifte tøj med det samme.
- Undgå at få brændstof på kroppen, da det kan forårsage personskader. Hvis du får brændstof på huden, skal du bruge sæbe og vand til at fjerne brændstoffet.
- Start ikke produktet, hvis motoren lækker. Undersøg regelmæssigt motoren for lækager.
- Vær forsigtig med brændstof. Det er letantændeligt, og dampe er eksplosive og kan medføre personskader eller dødsfald.
- Undgå at indånde brændstoffdampene, da det kan forårsage personskader. Sørg for, at der er tilstrækkelig luftstrøm.
- Ryg ikke i nærheden af brændstof eller motoren.
- Anbring ikke varme genstande i nærheden af brændstof eller motoren.
- Fyld ikke brændstof på, når motoren er tændt.
- Sørg for, at motoren er afkølet, inden du fylder brændstof på.
- Før du fylder brændstof på, skal du åbne brændstoftankens dæksel langsomt og forsigtigt udløse trykket.
- Fyld ikke brændstof på motoren i et indendørs område. Utilstrækkelig luftstrøm kan forårsage personskader eller dødsfald på grund af kvælning eller kulilte.
- Spænd brændstoftankens dæksel helt. Hvis brændstoftankens dæksel ikke spændes, opstår der risiko for brand.
- Flyt produktet minimum 3 m fra det sted, hvor du fyldte tanken, før du starter det.
- Fyld aldrig brændstoftanken helt op. Varme får brændstoffet til at udvide sig. Sørg for at bevare ledig plads øverst i brændstoftanken.
- Opbevar aldrig produktet med brændstof i brændstoftanken inde i en bygning, hvor der er antændelseskilder som f.eks. vandvarmere, rumvarmere eller tørretumbler. Lad motoren køle af, inden maskinen opbevares i nogen form for indelukke.

Sikkerhedsinstruktioner for vedligeholdelse



ADVARSEL: Læs følgende advarselsinstruktioner, inden du bruger produktet.

- Udstødningsgasserne fra motoren indeholder kulilte, som er en lugtfri, giftig og meget farlig gasart. Undlad at starte motoren indendørs eller i lukkede rum.
- Før der udføres vedligeholdelse af produktet, standses motoren, og tændkablet tages af tændrøret. På LB 244E skal du også fjerne batteriet.

- Brug handsker, når du udfører vedligeholdelse på skæreudstyret. Klingen er meget skarp, og du kan nemt komme til at skære dig.
- Tilbehør til og ændringer på produktet, som ikke er godkendt af producenten, kan medføre alvorlig personskade eller dødsfald. Undlad at ændre produktet. Brug altid reservedele, der er godkendt af producenten.
- Hvis vedligeholdelsen ikke udføres korrekt og regelmæssigt, øges risikoen for personskade og beskadigelse af produktet.
- Foretag kun den form for vedligeholdelse, der er angivet i denne instruktionsbog. Eventuel anden service skal udføres af et godkendt Husqvarna serviceværksted.
- Lad et godkendt Husqvarna serviceværksted foretage regelmæssig service af produktet.
- Udskift beskadigede, slidte eller defekte dele.

Montering

Indledning



ADVARSEL: Inden brug af produktet skal du læse og forstå kapitlet om sikkerhed.



ADVARSEL: Fjern tændrørskablet fra tændrøret inden samling af produktet.

Sådan samles håndtaget

1. Træk håndtaget bagud, indtil det er i endepositionen. (Fig. 20)

2. Spænd reguleringshåndgrebene. (Fig. 21)

Sådan justeres styrets højde

1. Sørg for, at højdejusteringsbøjlen er i rillen. Tryk højdejusteringsbøjlen ned med foden, hvis højdejusteringsbøjlen ikke er placeret i rillen. (Fig. 22)
2. Tryk højdejusteringsbøjlen ind med foden.
3. Sæt styrestangen i den korrekte position, og slip den. (Fig. 23)

Drift

Indledning



ADVARSEL: Før du bruger produktet, skal du læse og forstå kapitlet om sikkerhed.

Husqvarna Connect

Husqvarna Connect er en gratis app til din mobile enhed. Appen Husqvarna Connect giver udvidede funktioner til dit Husqvarna produkt:

- Yderligere produktoplysninger.
- Oplysninger om, og hjælp til, dele og service.

Sådan kommer du i gang med at bruge Husqvarna Connect

1. Download Husqvarna Connect appen på din mobile enhed.
2. Tilmeld dig i Husqvarna Connect appen.
3. Følg instruktionerne i Husqvarna Connect appen for at tilslutte og registrere produktet.

Før du bruger produktet

1. Læs brugsanvisningen omhyggeligt igennem, og sørg for at have forstået instruktionerne.

2. Undersøg skæreudstyret for at sikre, at det er korrekt monteret og justeret. Se *Sådan efterses skæreudstyret på side 61*.
3. Udfør en kontrol af oliestanden, og påfyld motorolie, hvis det er nødvendigt. Se *Sådan kontrolleres oliestanden på side 61*.
4. Fyld brændstoftanken. Se *Sådan påfyldes brændstof på side 58*.

Sådan påfyldes brændstof

Brug benzin med lavt emissionsniveau/alkylatbenzin, hvis det er tilgængeligt. Hvis du ikke har mulighed for at bruge benzin med lavt emissionsniveau/alkylatbenzin, skal du anvende en blyfri benzin af god kvalitet eller blyholdig benzin med et oktantal ikke under 91.



BEMÆRK: Brug ikke benzin med et oktantal under 91 RON. Det kan forårsage skader på produktet.



BEMÆRK: Udskift brændstoffilteret årligt eller oftere, hvis det er nødvendigt. Et nyt brændstoffilter vil være tilgængeligt hos din Husqvarna-forhandler.



BEMÆRK: Stands altid motoren, inden du påfylder brændstof.



BEMÆRK: Brug ikke startvæsker under tryk.

1. Åbn brændstoftankens dæksel langsomt for at aflaste trykket.
2. Påfyld brændstof langsomt med en benzindunk. Hvis du spilder brændstof, fjernes det med en klud. Lad resterende brændstof fordampe. (Fig. 24)
3. Rengør omkring brændstoftankens dæksel.
4. Spænd brændstoftankens dæksel helt. Hvis brændstoftankens dæksel ikke spændes, opstår der risiko for brand.
5. Flyt produktet minimum 3 m fra det sted, hvor du fyldte tanken, før du starter det.

Sådan sættes produktet i driftsstilling

1. Sådan samles håndtaget. Se *Sådan samles håndtaget på side 58*.
2. Juster styrets højde. Se *Sådan justeres styrets højde på side 58*.



BEMÆRK: Sørg for, at der ikke er for stor spænding i kablerne. For høj en spænding kan beskadige kablet, hvis styret er foldet op i transportposition.



ADVARSEL: Brug ikke produktet, medmindre håndtaget er foldet helt op og indstillet i en af de relevante højdepositioner. Se *Sådan justeres styrets højde på side 58*.

Sådan indstilles klippehøjden

Klippehøjden kan justeres i 6 forskellige trin.

1. Stop motoren.
2. Flyt klippehøjdehåndtaget bagud for at øge klippehøjden. (Fig. 25)
3. Flyt klippehøjdehåndtaget fremad for at mindske klippehøjden.



BEMÆRK: Indstil ikke klippehøjden for lavt. Knivene kan ramme jorden, hvis græsplænen overflade ikke er jævn.

Sådan startes produktet

- Kontroller, at tændkablet er tilsluttet til tændrøret.

Manuel start (LB 144)

1. Stil dig bag produktet.

2. Hold motorbremsehåndtaget ind mod det øverste håndtag. (Fig. 26)
3. Hold fast i startsnorens håndgreb med højre hånd.
4. Træk langsomt startsnoren ud, indtil der føles modstand.
5. Træk kraftigt, indtil motoren starter.



ADVARSEL: Vikl aldrig startsnoren rundt om hånden.

Elektrisk start (LB 244E)

1. Sørg for, at batteriet er opladt. Se *Vedligeholdelse af batterier (LB 244E) på side 62*.
2. Tilslut batteriet til motoren. Batteriet låses på plads, når du hører et klik. (Fig. 27)
3. Hold dig bag produktet, og hold motorbremsehåndtaget (A) ind mod det øverste håndtag. (Fig. 28)
4. Tryk og hold den elektrisk startknap (B) nede i 3-5 sekunder. Motoren starter.

Bemærk: Hvis motoren ikke starter, skal du vente 1 minut og prøve at starte produktet igen.

Sådan standses produktet

- Motoren standses ved at slippe motorbremsehåndtaget.

Sådan fjernes batteriet (LB 244E)

For at undgå utilsigtet start af motoren skal du fjerne batteriet, når produktet ikke er i drift.

- Tryk på låseknapen (A), og træk batteriet vertikalt ud. (Fig. 29)

Sådan opnår du et godt resultat

- Sørg altid for, at klingen er skarp. En sløv klinge giver et uregelmæssigt resultat, og græssets snitflade bliver gul. En skarp klinge bruger desuden mindre energi end en sløv klinge.
- Klip aldrig mere end $\frac{1}{3}$ af græssets længde. Klip først med klippehøjden indstillet højt. Efterse resultatet, og sænk derefter klippehøjden til det ønskede niveau. Hvis græsset er meget højt, skal du køre langsomt og om nødvendigt klippe 2 gange.
- Klip i forskellige retninger hver gang for at undgå striber i græsplænen.
- Hold klippeafskærmningen ren. Ophobning af græs og snavs på indersiden af klippeafskærmningen kan forringe klippersultatet. Se *Sådan rengøres indersiden af klippeskjoldet på side 61*.

Vedligeholdelse

Indledning



ADVARSEL: Inden der foretages vedligeholdelse, skal du læse og forstå kapitlet om sikkerhed.

Alt service- og reparationsarbejde på produktet kræver specialuddannelse. Vi garanterer faglig korrekt reparation og service. Hvis forhandleren ikke er et serviceværksted, kan vedkommende oplyse om nærmeste serviceværksted.

Se www.husqvarna.com for at få mere detaljerede oplysninger.

Vedligeholdelsesskema



BEMÆRK: Sørg for, at luftfilteret er oppe og ikke rammer imod jorden, når du vipper produktet. Risiko for motorskade.



BEMÆRK: På modeller med elektrisk start skal du fjerne batteriet, inden du foretager vedligeholdelse, reparation eller rengøring af produktet.

Vedligeholdelsesintervallerne er fastlagt baseret på daglig brug af produktet. Intervallerne ændres, hvis produktet ikke bruges dagligt.

For vedligeholdelse mærket med * henvises til vejledningen i *Sikkerhedsanordninger på produktet på side 56*.

Vedligeholdelse	Hver dag	Månedligt	Hver sæson
Foretag et generelt eftersyn	X		
Efterse oliestanden	X		
Skift olie (første gang efter 5 timers brug, derefter efter hver 50 timers brug) ²²			X
Rengør produktet	X		
Rengør området omkring håndtagets højdejusteringsbøjle	X		
Efterse klippeudstyret	X		
Efterse klippebordet*	X		
Efterse motorbremsehåndtaget*	X		
Efterse lyddæmperen*		X	
Efterse tændrøret. Rengør eller udskift tændrøret, når det er nødvendigt			X
Efterse luftfilteret	X		
Rengør luftfilteret ²³		X	
Udskift luftfilteret			X
Efterse brændstofsystemet			X
Rens køleribberne på cylinderen		X	

²² Hvis produktet betjenes med stor belastning eller ved høje omgivelsestemperaturer, skal motorolien udskiftes hver 25. time.

²³ Rengør oftere under støvede forhold, eller når der er luftbårne partikler til stede. Udskift luftfilteret, hvis det er meget snavset.

Sådan udføres et generelt eftersyn

- Sørg for, at alle møtrikker og skruer på produktet er spændt korrekt.

Sådan rengøres produktet udvendigt

- Brug en børste til at fjerne blade, græs og snavs.
- Sørg for, at luftindtaget oven på motoren ikke er blokeret.
- Brug ikke en højtryksrenser til at rengøre produktet.
- Hvis du bruger vand til at rengøre produktet, må vandet ikke sprøjtes direkte på motoren.

Til rengøring af området omkring håndtagets højdejusteringsbøjle

- Brug en børste til at fjerne blade, græs og snavs. (Fig. 30)

Sådan rengøres indersiden af klippeskjoldet

1. Tøm brændstoftanken.
2. Vip produktet. Sørg for, at tændrøret peger opad.



BEMÆRK: Hvis produktet anbringes med luftfilteret nedad, kan motoren tage skade.

3. Spul indersiden af klippeskjoldet med vand.

Sådan efterses skæreudstyret



ADVARSEL: Tændkablet tages af tændrøret for at undgå utilsigtet start af motoren.



ADVARSEL: Brug handsker, når du udfører vedligeholdelse på skæreudstyret. Klingen er meget skarp, og du kan nemt komme til at skære dig.

1. Efterses skæreudstyret for skader eller revner. Udskift altid skæreudstyret, hvis det er beskadiget.
2. Kig på klingen for at se, om den er beskadiget eller sløv.

Bemærk: Kniven skal afbalanceres, efter den er blevet sløbet. Lad et servicecenter skærpe, udskift og afbalancere klingen. Hvis du rammer en forhindring, der får produktet til at standse, udskiftes den beskadigede klinge. Lad servicecenteret vurdere, om klingen kan files, eller om den skal udskiftes.

Sådan udskiftes bladet

1. Lås kniven med en træklods. (Fig. 31)
2. Fjern knivbolten og fjederskiven.

3. Fjern bladet.
4. Efterses knivophæng og knivbolt for at se, om der er skader.
5. Efterses motorakslen for at sikre, at den ikke er bøjet.
6. Når du sætter den nye kniv på, skal knivens spidser pege i retning af klippebordet. (Fig. 32)
7. Sørg for, at kniven flugter med motorakslens centrum.
8. Lås kniven med en træklods. Monter fjederskiven, og spænd boltene og skiven med et tilspændingsmoment på 44-46 Nm. (Fig. 33)
9. Træk kniven rundt pr. håndkraft, og kontrollér, at den drejer frit.



ADVARSEL: Brug sikkerhedshandsker. Kniven er meget skarp, og du kan nemt komme til at skære dig.

10. Start produktet for at afprøve kniven. Hvis kniven ikke er korrekt fastgjort, forekommer der vibrationer i produktet, eller klipperesultatet bliver utilfredsstillende.

Sådan kontrolleres oliestanden



BEMÆRK: Hvis olieniveauet er for lavt, kan det medføre motorskader. Kontrollér oliestanden, før du starter produktet.

1. Anbring produktet på et plant underlag.
2. Afmonter olietankens dæksel, hvorpå olieinden sidder.
3. Tør olien af olieinden.
4. Skub olieinden helt ind i olietanken.
 - a) Skru ikke olietankens dæksel i på LB 144.
 - b) Skru olietankens dæksel i på LB 244E.
5. Fjern olietankdækslet og olieinden.
6. Kontrollér oliestanden på den monterede målepind.
7. Hvis oliestanden er lav, skal der efterfyldes med motorolie, og foretag derefter en kontrol af oliestanden igen. (Fig. 34)

Bemærk: Brug en tragt for at undgå at spilde.

8. Monter olietankens dæksel, når oliestanden er korrekt.

Sådan udskiftes motorolien



ADVARSEL: Motorolien er meget varm umiddelbart efter, at motoren er standset. Lad motoren køle af, før du aftapper motorolien. Hvis du spilder motorolie på huden, kan den fjernes med vand og sæbe.

(Fig. 35)

1. Brug produktet, indtil brændstoftanken er tom.
2. Tag tændkablet af tændrøret.
3. Afmonter olietankens dæksel, hvorpå oliepinden sidder.
4. Stil en beholder under produktet til at opsamle motorolien i.
5. Vip produktet, eller aftap motorolien fra olietanken med en oliepumpe (tilbehør).
6. Påfyld ny motorolie af den type, der anbefales i *Tekniske data på side 65*.
7. Udfør en kontrol af oliestanden. Se *Sådan kontrolleres oliestanden på side 61*.
8. Monter olietankens dæksel, når oliestanden er korrekt.

Luftfilter

Et beskadiget filter kan beskadige motoren eller forhindre den i at fungere korrekt. Foretag hyppigere vedligeholdelse af luftfilteret under støvede forhold. Se *Vedligeholdelsesskema på side 60* for at få oplysninger om, hvornår du skal udskifte luftfilteret.

Bemærk: Udskift altid et beskadiget luftfilter.

Sådan af- og påmonteres luftfilteret (LB 244E)



ADVARSEL: Bær altid beskyttelseshandsker.

1. Tryk på klemmerne på luftfilterdækslet.
2. Tag forsigtigt luftfilterdækslet (A) ud af motoren.
3. Fjern luftfilteret (B). (Fig. 36)
4. Undersøg luftfiltret for skader. Udskift et beskadiget luftfilter.
5. Rengør og efterse luftfilteret. Se *Sådan rengøres luftfilteret (LB 244E) på side 62*.
6. Monter i modsat rækkefølge.

Sådan rengøres luftfilteret (LB 244E)

Et beskadiget filter kan beskadige motoren eller forhindre den i at fungere korrekt. Foretag hyppigere vedligeholdelse af luftfilteret under støvede forhold.

Se *Vedligeholdelsesskema på side 60* for at få oplysninger om, hvornår du skal udskifte luftfilteret.

1. Fjern luftfilterdækslet og filtret.
2. Rengør filtret ved banke det mod en flad overflade. Brug aldrig et opløsningsmiddel med petroleum eller trykluft til at rengøre filtret.

Bemærk: Luftfiltre, der har været i brug i lang tid, kan ikke rengøres fuldstændigt. Udskift luftfiltret med

regelmæssige mellemrum. Beskadigede luftfiltre skal altid udskiftes.

3. Når du samler luftfiltret, skal du sørge for, at det slutter helt tæt til filterholderen.

Sådan rengøres skumplastfilteret (LB 144)



BEMÆRK: Motoren må ikke startes, hvis luftfiltrene er ikke sat på. Slitagen på motoren øges, hvis der er skidt i luften.

1. Fjern luftfilterdækslet (A). (Fig. 37)
2. Fjern skumplastfiltrene (B).



BEMÆRK: Undersøg skumplastfiltrene for skader eller slitage. Udskift alle beskadigede skumplastfiltre.

3. Rengør skumplastfiltrene med vand og sæbe.
4. Skyl skumplastfiltrene i rent vand.
5. Vrid vandet ud af skumplastfiltrene, og lad dem tørre.



BEMÆRK: Brug ikke trykluft. Det kan medføre beskadigelse af skumplastfilteret.

6. Smør skumplastfiltrene med motorolie.
7. Pres en ren klud ind mod skumplastfilteret for at fjerne uønsket olie.
8. Installer skumplastfiltrene. Sørg for, at skumplastfiltrene ligger helt tæt ind til luftfilterholderen.
9. Installer luftfilterdækslet.

Vedligeholdelse af batterier (LB 244E)

Batteriet er vedligeholdelsesfrit. Lad kun et godkendt serviceværksted udføre service på batterierne, hvis det er nødvendigt.

Sådan bruges batteriet første gang (LB 244E)



BEMÆRK: Lad ikke batteriet løbe tør for strøm. Hvis batteriet løber tør for strøm, kan det blive beskadiget.

Batteriet skal oplades, før du tager det i brug første gang.

1. Tilslut batteriopladeren til batteriet, se *Sådan oplades batteriet (LB 244E) på side 63*.
2. Vent, indtil mindst 1 grøn LED-lampe tændes.
3. Tilslut batteriet til motoren, se *Elektrisk start (LB 244E) på side 59*.

Sådan oplades batteriet (LB 244E)

Hvis kun 1 eller 0 indikatorer på batteriet er tændt, skal det oplades. Et afladet batteri oplades helt på 2 timer. Batteriet tager ikke skade af kortere opladningsperioder.

1. Slut batteriopladeren til batteriet. (Fig. 38)
2. Slut batteriopladeren til en stikkontakt, 100-240 V, 50-60 Hz.
3. Tag først opladeren ud af stikkontakten, og frakobl derefter opladeren fra batteriet.

Status for batteriopladning

LED-display på batteriet	Status
LED-lampe 1 blinker rødt.	1% - 9%
LED-lampe 1 lyser rødt.	10% - 32%
LED-lampe 1 lyser grønt, og LED-lampe 2 lyser rødt.	33% - 54%
LED-lampe 1 og 2 lyser grønt, og LED-lampe 3 lyser rødt.	55% - 77%
LED-lampe 1, 2 og 3 lyser grønt, og LED-lampe 4 lyser rødt.	78% - 100%

Lampeindikator på batteriopladeren	Status
Konstant rødt lys	Batteriet oplades.
Konstant grønt lys	Batteriet er fuldt opladet.

Sådan kontrolleres tændrøret



BEMÆRK: Brug altid anbefalet tændrørstype. Forkert tændrørstype kan forårsage skader på produktet.

- Undersøg tændrøret, hvis motoren mangler kraft, ikke starter nemt eller ikke fungerer korrekt i tomgangshastighed.
- Sådan mindsker du risikoen for uønsket materiale på tændrørets elektroder, følg disse instruktioner:
 - a) Sørg for, at tomgangshastigheden er indstillet korrekt.

b) Sørg for, at brændstofblandingen er korrekt.

c) Sørg for, at luftfilteret er rent.

- Hvis tændrøret er beskidt, skal det renses, og samtidig skal det kontrolleres, at elektrodeafstanden er korrekt, se *Tekniske data på side 65*. (Fig. 39)
- Udskift tændrøret, når det er nødvendigt.

Sådan undersøger du brændstofsyste­met

- Efterse brændstoftankens dæksel og pakningen til brændstoftankens dæksel for at sikre, at der ikke er nogen skader.
- Efterse brændstofslangen for at sikre, at der ikke er utætheder. Hvis brændstofslangen er beskadiget, skal du lade et serviceværksted skifte den.

Sådan tømmes brændstoftanken

1. Sæt en beholder under brændstoftanken.
2. Fjern brændstoftankens dæksel.
3. Skub slangeklemmerne på brændstofslangen mod karburatoren.
4. Fjern brændstofslangen fra karburatoren.
5. Put brændstoftankens slange i beholderen, og fjern slangeklemmerne.
6. Vip produktet, og tøm brændstoffet i beholderen.

Sådan udskiftes brændstoffilteret



ADVARSEL: Bær altid beskyttelseshandsker.

1. Tøm brændstoftanken.
2. Flyt slangeklemmen væk fra brændstoftanken. (Fig. 40)
3. Fjern brændstofslangen fra brændstoftanken. En lille mængde brændstof kan løbe ud. (Fig. 41)
4. Fjern brændstoffilteret fra brændstoftanken. (Fig. 42)
5. Installer et nyt brændstoffilter i brændstoftanken.
6. Fastgør brændstofslangen til brændstoftanken.
7. Sæt slangeklemmen på plads mod brændstoftanken.

Fejlfinding af motor

Problem	Mulig årsag	Løsning
Motoren starter ikke.	Tændkablet er ikke tilsluttet korrekt.	Tilslut tændkablet til tændrøret.
	Brændstoftanken er tom.	Fyld den korrekte brændstoftype i tanken.
	Brændstoffet er gammelt.	Tøm brændstoftanken og karburatoren. Påfyld ny benzin.
	Der er snavs i karburator eller brændstoffilførsel.	Rengør karburatoren og/eller brændstoffilførslen.
	Tændrøret er beskadiget.	Juster elektrodeafstanden, rengør eller udskift tændrøret.
	Der er brændstof på tændrøret.	Rens tændrøret.
Motoren standser ikke.	Stopmekanismen fungerer ikke korrekt.	Frakobl tændkablet fra tændrøret. Lad et godkendt serviceværksted reparere produktet.
Motoren kører ikke jævnt.	Tændkablet er ikke tilsluttet korrekt.	Tilslut tændkablet til tændrøret.
	Der er snavs i brændstoffilførslen, eller der er ikke mere brændstof på produktet.	Rengør brændstoffilførslen. Fyld brændstoftanken op med nyt brændstof af den rigtige type.
	Der er en blokering i brændstoftankens dæksel.	Rengør brændstoftankens dæksel.
	Der er vand eller snavs i brændstofsystemet.	Tøm brændstoftanken. Fyld brændstoftanken op med nyt brændstof af den rigtige type.
	Luftfilteret er snavset.	Rens luftfilteret.
	Karburatoren skal justeres.	Lad en serviceforhandler justere karburatoren.
Motoren bliver for varm.	Motoroliestanden er for lav.	Påfyld motorolie.
	Luftstrømmen er ikke tilstrækkelig.	Rengør luftfilteret og luftfilterhuset.
	Karburatoren skal justeres.	Lad en serviceforhandler justere karburatoren.
Der sker fejltænding i motoren, når den kører ved høj hastighed.	Elektrodeafstanden i tændrøret er for lille.	Juster elektrodeafstanden.
Usædvanlig støj fra motoren under normal belastning.	Forkert type benzin.	Tøm brændstoftanken og karburatoren. Påfyld ny benzin. Se <i>Sådan undersøger du brændstofsystemet på side 63</i> . Hvis problemet fortsætter, skal du kontakte din lokale serviceforhandler.

Problem	Mulig årsag	Løsning
Motoren fungerer ikke korrekt i tomgangshastighed.	Tændrøret er tilstoppet eller beskadiget eller elektrodeafstanden er for stor.	Juster elektrodeafstanden, eller udskift tændrøret.
	Karburatoren skal justeres.	Juster karburatoren.
	Luftfilteret er snavset.	Rens luftfilteret.

Transport, opbevaring og bortskaffelse

Transport og opbevaring

- Ved opbevaring og transport af produktet og brændstoffet, skal du sørge for, at der ikke er utætheder eller dampe. Gnister eller åben ild, f.eks. fra elektriske enheder eller kedler, kan starte en brand.
- Brug altid godkendte beholdere til opbevaring og transport af brændstof.
- Tøm brændstoftanken, inden du stiller produktet væk i en længere periode. Bortskaf brændstoffet på en lokal miljøstation
- Fastgør produktet sikkert under transport for at undgå skader og uheld.
- Opbevar produktet i et aflåst område utilgængeligt for børn eller personer, som ikke er godkendt.
- Opbevar produktet på et tørt og frostfrit sted.

Sådan sættes produktet i transportposition

- Udløs reguleringshåndgrebene. (Fig. 43)
- Fold håndtaget fremad, indtil det har nået endepositionen. (Fig. 44)

Transport og opbevaring af batteri og oplader

- Fjern ikke batteriet, før produktet holder stille og er kølet af. Hvis du vil fjerne batteriet, skal du trykke på knappen oven på batteriet og holde den nede og tage det ud af holderen.

- Hvis opbevaringstiden overstiger 30 dage, skal batteriet oplades, indtil det har mere end 3 grønne lys.
- Oplad batteriet én gang hver tredje måned for at undgå at beskadige batteriet.
- Batteriet og batteriopladeren skal opbevares ved mellem 5 °C og 40 °C. Højere temperaturer eller kilder til høje temperaturer, f.eks. ild, kan beskadige batteriet.
- Skil ikke batteriet ad.
- Anbring ikke batteriet i vand. Anbring batteriet på et køligt og tørt sted med god luftgennemstrømning.
- Hvis batteriet lugter, er varmt, eller hvis varmen forårsager deformation af batteriet under drift, opbevaring eller opladning, skal du fjerne batteriet og ikke bruge det.
- Sørg for, at batteriet eller batteriopladeren er fastgjort under transport for at undgå beskadigelse.
- Sørg for, at batteriopladeren ikke bliver for varm.

Bortskaffelse

- Overhold de lokale krav til genanvendelse og de gældende regler.
- Bortskaf alle kemikalier, som f.eks. motorolie eller frostvæske, hos et servicecenter eller på en lokal miljøstation.
- Når produktet ikke længere er i brug, skal det sendes til en Husqvarna forhandler eller bortskaffes på en lokal genbrugsstation.
- Afløber batteriet til et -serviceværksted, eller kassér det på et bortskaffelsessted for brugte batterier.

Tekniske data

Tekniske data

	LB 144	LB 244E
Motor		
Varemærke	Husqvarna	Husqvarna
Model	HS 123A	HS 139AE

	LB 144	LB 244E
Motorstype	1-cylindret, 4-takts fremmedkøling, OHV	1-cylindret, 4-takts fremmedkøling, OHV
Slagvolumen, cm ³	123	139
Motoromdrejningstal – nominelt, o/min.	3000/min.	2900/min.
Nominel motoreffekt, kW ²⁴	1,95	2,2
Tændingssystem		
Tændrør	Husqvarna HQT-7	Husqvarna HQT-7
Elektrodeafstand, mm	0,7-0,8	0,7-0,8
Brændstof-/smøresystem		
Motorsmøringstype	Splash	Splash
Brændstoftankens kapacitet, l	0,9	0,9
Olietankens kapacitet, l	0,5	0,5
Motorolie ²⁵	Husqvarna SAE 30, Husqvarna SAE 5W-30 syntetisk, Husqvarna SAE 10W-40	Husqvarna SAE 30, Husqvarna SAE 5W-30 syntetisk, Husqvarna SAE 10W-40
Vægt		
Med tomme tanke, kg	22	23,5
Støjemissioner ²⁶		
Lydeffektniveau, målt dB(A)	91	92
Lydeffektniveau, garanteret L _{WA} dB (A)	94	94
Lydniveauer ²⁷		
Lydtryksniveau ved brugerens øre, dB(A)	79	80
Vibrationsniveauer ²⁸		
Vibrationer øverste håndtag, m/s ²	7,6	6,0
Klippeudstyr		
Klippehøjde, mm	25-75	25-75
Skærebredde, mm	440	440
Klipesystem	Bioclip®	Bioclip®

²⁴ Motorens effektangivelse er den gennemsnitlige nettoeffekt (ved det anførte omdrejningstal) for en typisk produktionsmodel af motoren målt iht. SAE-standarden J1349/ISO1585. Motorer fra masseproduktionen kan afvige fra denne værdi. Den faktiske effekt på motoren, som installeres i det færdige produkt, vil afhænge af driftshastigheden, miljøhensyn og andre værdier.

²⁵ Brug motorolie af kvaliteten API, SJ eller bedre. Hvis SAE-30-olien anvendes ved temperatur under +5 °C, er der risiko for, at den ikke smører motoren tilstrækkeligt. Dette kan forårsage skader på motoren. Se *Sådan udskiftes motorolien på side 61* for den korrekte olie til lave temperaturer. Se tabellen over viskositet i motorproducentens manual (hvis den medfølger), og vælg en olie med optimal viskositet i forhold til den forventede udendørstemperatur.

²⁶ Støjemissioner til omgivelserne målt som lydeffekt (L_{WA}) i henhold til EF-direktiv 2000/14/EF.

²⁷ Rapporterede data for lydtryksniveau har en typisk statistisk spredning (standardafvigelse) på 1,2 dB (A).

²⁸ Rapporterede data for vibrationsniveau har en typisk statistisk spredning (standardafvigelse) på 0,2 m/s².

	LB 144	LB 244E
Kniv - standard	Bioklip 5464584-10	Bioklip 5464584-10
Startsystem		
Elektrisk starter	Nej	Ja
Batteri	-	Li-ion, 10,8 V, 21,6 Wh

Overensstemmelseserklæring

EU-overensstemmelseserklæring

Vi, **Husqvarna AB**, SE-561 82 Huskvarna, Sverige,
tlf.: +46-36-146500 erklærer under eneansvar, at det
pågældende produkt:

Beskrivelse	Plæneklipper
Varemærke	Husqvarna
Type / model	LB 144, LB 244E
Identifikation	Serienumrene fra 2023 og fremefter

overholder følgende EU-direktiver og bestemmelser:

Regulativ	Beskrivelse
2006/42/EF	"vedrørende maskiner"
2014/30/EU	"vedrørende elektromagnetisk kompatibilitet"
2000/14/EF	"vedrørende støjemissioner til omgivelserne"
2011/65/EU	"om begrænsning af anvendelsen af visse farlige stoffer i elektrisk og elektronisk udstyr"

og at følgende standarder og/eller
tekniske specifikationer anvendes: EN
ISO 5395-1:2013+A1:2018, EN ISO
5395-2:2013+A1:2016+A2:2017, EN IEC 63000:2018,
EN ISO 14982:2009

Bemyndiget organ: 0404, SMP Svensk Maskinprovning
AB, Box 4053, SE-904 03 Umeå, Sweden har bekræftet,
at bestemmelserne i Rådets direktiv 2000/14/EF,
procedure for overensstemmelsesvurdering: Bilag VI.

Vedr. oplysninger om støjemission, se *Tekniske data på
side 65*.

Huskvarna, 2023-09-18



Claes Losdal, udviklingschef/haveprodukter, Husqvarna
AB

Ansvarlig for teknisk dokumentation



Inhalt

Einleitung.....	69	Fehlersuche am Motor.....	80
Sicherheit.....	70	Transport, Lagerung und Entsorgung.....	81
Montage.....	73	Technische Angaben.....	82
Betrieb.....	74	Konformitätserklärung.....	84
Wartung.....	75		

Einleitung

Gerätebeschreibung

Das Gerät ist ein handgeführter Rasenmäher, der BioClip nutzt, um das Gras in Dünger zu schneiden.

Geräteübersicht

(Abb. 1)

1. Motorbremsgriff
2. Griff/Lenker
3. Startseilhandgriff (LB 144)
4. Schnitthöhenhebel
5. Öldeckel und Messstab
6. Schalldämpfer
7. Zündkerze
8. Hebegriff
9. Höheneinstellungsbügel für den Lenker
10. Kraftstofftankdeckel
11. Luftfilter
12. Schneidwerkabdeckung
13. Klinge
14. Federring
15. Klingenschraube
16. Akku, Sicherheitsvorrichtung (LB 244E)
17. Elektrostartknopf (LB 244E)
18. Bedienungsanleitung

Symbole auf dem Gerät

(Abb. 2) **WARNUNG!** Gehen Sie vorsichtig vor, und verwenden Sie das Gerät ordnungsgemäß. Dieses Gerät kann schwere oder tödliche Verletzungen des Bedieners oder anderer Personen verursachen.

(Abb. 3) Lesen Sie die Bedienungsanleitung sorgfältig durch, und machen Sie sich vor der Benutzung mit dem Inhalt vertraut.

(Abb. 4) Achten Sie auf hochgeschleuderte und abprallende Objekte.

Verwendungszweck

Verwenden Sie das Gerät zum Schneiden von Gras.
Verwenden Sie das Gerät nicht für andere Aufgaben.

(Abb. 5) Andere Personen oder Tiere müssen sich in sicherem Abstand vom Arbeitsbereich befinden.

(Abb. 6) **Warnung:** Halten Sie Hände und Füße von der rotierenden Klinge fern.

(Abb. 7) **Warnung:** Halten Sie Hände und Füße von rotierenden Teilen fern.

(Abb. 8) Schalten Sie vor der Durchführung von Reparatur- oder Wartungsarbeiten den Motor aus, und entfernen Sie das Zündkabel.

(Abb. 9) Dieses Gerät stimmt mit den geltenden EG-Richtlinien überein.

(Abb. 10) Etikett mit Geräuschemissionen gemäß EU- und UK-Richtlinien und Verordnungen sowie der australischen „Protection of the Environment Operations (Noise Control) Regulation 2017“ (Umweltschutz-/Lärmschutzbestimmung) von New South Wales. Der garantierte Schallleistungspegel des Geräts ist unter *Technische Angaben auf Seite 82* und auf dem Etikett angegeben.

(Abb. 11) Dieses Gerät entspricht den geltenden UK-Richtlinien.

(Abb. 12) **Brandgefahr.**

(Abb. 13) Atmen Sie keine Abgase ein. Die Abgase des Motors enthalten Kohlenmonoxid, ein geruchloses, giftiges und sehr gefährliches Gas. Starten Sie den Motor nicht in Innenräumen oder in geschlossenen Räumen.

(Abb. 14) Heiße Oberfläche.

(Abb. 16) Befüllen Sie den Motor mit Öl, bevor Sie das Gerät starten.

(Abb. 17) Startvorgang für LB 144: Drücken Sie den Motorbremsgriff nach unten und ziehen Sie das Starterseil.

(Abb. 18) Startvorgang für LB 244E: Drücken Sie den Motorbremsgriff nach unten und drücken Sie die Start-Taste.

(Abb. 15) Scanbarer Code.

Hinweis: Weitere Symbole/Aufkleber auf dem Gerät beziehen sich auf die Zertifizierungsanforderungen für andere kommerzielle Bereiche.

Produktschäden

Wir haften nicht für Schäden an unserem Produkt, wenn:

- das Gerät nicht ordnungsgemäß repariert wird.
- das Gerät mit Teilen repariert wird, die nicht vom Hersteller stammen oder nicht vom Hersteller zugelassen sind.
- ein Zubehörteil mit dem Gerät verwendet wird, das nicht vom Hersteller stammt oder nicht vom Hersteller zugelassen ist.
- das Gerät nicht bei einem zugelassenen Service Center oder von einem zugelassenen Fachmann repariert wird.

Emissionen nach Euro V



WARNUNG: Bei jeglichen Manipulationen des Motors erlischt die EU-Typgenehmigung für dieses Produkt.

Sicherheit

Sicherheitsdefinitionen

Warnungen, Vorsichtsmaßnahmen und Hinweise werden verwendet, um auf besonders wichtige Teile der Bedienungsanleitung hinzuweisen.



WARNUNG: Wird verwendet, wenn bei Nichtbeachtung der Anweisungen in diesem Handbuch die Gefahr von Verletzung oder Tod des Bedieners oder anderer Personen besteht.



ACHTUNG: Wird verwendet, wenn bei Nichtbeachtung der Anweisungen in diesem Handbuch die Gefahr von Schäden am Gerät, an anderen Materialien oder in der Umgebung besteht.

Hinweis: Für weitere Informationen, die in bestimmten Situationen nötig sind.

Allgemeine Sicherheitshinweise



WARNUNG: Lesen Sie die folgenden Warnhinweise, bevor Sie das Gerät verwenden.

- Dieses Gerät ist gefährlich, wenn es falsch bedient wird oder Sie unvorsichtig sind. Wenn die Sicherheitshinweise nicht befolgt werden, kann dies zu Verletzungen oder zum Tod führen.
- Dieses Gerät erzeugt beim Betrieb ein elektromagnetisches Feld. Dieses Feld kann

sich unter bestimmten Bedingungen auf die Funktionsweise aktiver oder passiver medizinischer Implantate auswirken. Um die Gefahr von Situationen, die zu schweren oder tödlichen Verletzungen führen können, auszuschließen, sollten Personen mit einem medizinischen Implantat vor der Nutzung dieses Geräts ihren Arzt und den Hersteller des Implantats konsultieren.

- Lassen Sie immer Vorsicht walten, und arbeiten Sie mit gesundem Menschenverstand. Wenn Sie sich nicht sicher sind, wie das Gerät in einer bestimmten Situation zu bedienen ist, unterbrechen Sie die Arbeit und wenden sich an Ihren Husqvarna-Händler, bevor Sie fortfahren.
- Denken Sie daran, dass der Bediener für Unfälle mit anderen Personen oder deren Eigentum verantwortlich ist.
- Halten Sie das Gerät sauber. Stellen Sie sicher, dass Symbole und Aufkleber deutlich lesbar sind.
- Lassen Sie keine andere Person das Gerät verwenden, es sei denn, Sie haben sich zuvor vergewissert, dass diese Person den Inhalt der Bedienungsanleitung gelesen und verstanden hat.
- Lassen Sie nicht zu, dass Kinder das Gerät verwenden.
- Halten Sie Kinder vom Arbeitsbereich fern. Es muss immer ein verantwortlicher Erwachsener anwesend sein.
- Erlauben Sie nicht, dass Personen ohne Kenntnis der Anweisungen das Gerät bedienen.
- Stellen Sie sicher, dass Personen mit verminderter physischer oder psychischer Leistungsfähigkeit dieses Gerät nicht unbeaufsichtigt verwenden. Es muss immer ein verantwortlicher Erwachsener anwesend sein.

- Verwenden Sie das Gerät nicht, wenn Sie müde oder krank sind oder unter Einfluss von Alkohol, Drogen oder Medikamenten stehen. Dies wirkt sich negativ auf Ihre Sehkraft, Ihre Aufmerksamkeit sowie Ihr Koordinations- und Urteilsvermögen aus.
- Verwenden Sie das Gerät nicht, wenn es beschädigt ist oder nicht ordnungsgemäß funktioniert.
- Verändern oder verwenden Sie dieses Gerät nicht, wenn die Möglichkeit besteht, dass es durch Dritte verändert wurde.
- Nehmen Sie keine Änderungen an der Einstellung der Motordrehzahlregelung vor.
- Benutzen Sie eine persönliche Schutzausrüstung. Siehe *Persönliche Schutzausrüstung auf Seite 72*.
- Stellen Sie sicher, dass Sie wissen, wie der Motor in einem Notfall schnell gestoppt werden kann.
- Starten Sie den Motor niemals in einem geschlossenen Raum oder in der Nähe von brennbarem Material. Die Motorabgase sind heiß und können Funken enthalten, die einen Brand verursachen können.
- Starten Sie das Produkt nicht, bevor die Klinge und alle Abdeckungen korrekt befestigt sind. Eine falsch befestigte Klinge kann sich lösen und Personenschaden verursachen.

Sicherheit im Arbeitsbereich



WARNUNG: Lesen Sie die folgenden Warnhinweise, bevor Sie das Gerät benutzen.

- Entfernen Sie Gegenstände wie Äste, Zweige und Steine aus dem Arbeitsbereich, bevor Sie das Produkt verwenden.
- Gegenstände, die auf die Schneidausrüstung treffen, können herausgeschleudert werden und Personen und Gegenständen Schaden zufügen. Halten Sie andere Personen und Tiere in einem sicheren Abstand zum Produkt.
- Benutzen Sie das Produkt niemals bei schlechtem Wetter wie Nebel, Regen, starkem Wind, intensiver Kälte und bei der Gefahr eines Blitzeinschlags. Die Verwendung des Produkts bei schlechtem Wetter oder an feuchten oder nassen Stellen ist anstrengend. Schlechtes Wetter kann gefährliche Zustände wie rutschige Oberflächen verursachen.
- Achten Sie auf Personen, Gegenstände und Situationen, die einen sicheren Betrieb des Produkts verhindern könnten.
- Achten Sie auf Hindernisse wie Wurzeln, Steine, Zweige, Löcher und Gräben. Langes Gras kann Hindernisse verdecken.
- Das Mähen von Gras an Steigungen kann gefährlich sein. Verwenden Sie das Produkt nicht in einem Gelände mit einer Neigung von mehr als 15°.
- Betreiben Sie das Produkt quer zum Hang. Bewegen Sie sich nicht nach oben und nach unten.
- Seien Sie vorsichtig, wenn Sie um versteckte Ecken oder Objekte herum fahren, die Ihre freie Sicht verhindern.
- Wenn die Klinge auf ein Objektiv trifft oder Vibrationen auftreten, müssen Sie das Produkt sofort abstellen. Ziehen Sie das Zündkabel von der Zündkerze ab. Untersuchen Sie das Produkt auf beschädigte Teile. Reparieren Sie Schäden oder lassen Sie einen autorisierten Kundendienst die Reparatur durchführen.
- Befestigen Sie die Motorbremse niemals fest am Griff, wenn der Motor läuft.
- Stellen Sie das Produkt auf eine stabile, flache Oberfläche und starten Sie es. Stellen Sie sicher, dass die Klinge nicht den Boden oder ein anderes Objekt berührt.
- Bleiben Sie immer hinter dem Produkt, wenn Sie es betreiben.
- Lassen Sie alle Räder auf dem Boden bleiben und halten Sie den Griff mit 2 Händen, wenn Sie das Produkt betreiben. Halten Sie Hände und Füße von den rotierenden Rasenmäherklingen fern.
- Kippen Sie das Produkt nicht, wenn der Motor läuft.
- Seien Sie vorsichtig, wenn Sie das Produkt nach hinten ziehen.
- Heben Sie das Produkt nicht hoch, wenn der Motor läuft. Wenn Sie das Produkt anheben müssen, schalten Sie zunächst den Motor aus und ziehen Sie das Zündkabel von der Zündkerze ab.
- Gehen Sie nicht rückwärts, wenn Sie das Produkt betreiben.
- Stellen Sie den Motor ab, wenn Sie sich über Bereiche ohne Gras bewegen, zum Beispiel Wege aus Kies, Stein und Asphalt.
- Rennen Sie nicht mit dem Produkt, wenn der Motor läuft. Gehen Sie immer, wenn Sie das Produkt benutzen.
- Stellen Sie den Motor ab, bevor Sie die Schnitthöhe verändern. Verändern Sie die Einstellungen niemals, wenn der Motor läuft.
- Lassen Sie das Produkt niemals aus den Augen, wenn der Motor läuft. Stellen Sie den Motor ab und

Arbeitssicherheit



WARNUNG: Lesen Sie die folgenden Warnhinweise, bevor Sie das Gerät benutzen.

- Verwenden Sie dieses Produkt nur zum Mähen von Rasenflächen. Es ist nicht erlaubt, das Produkt für andere Aufgaben zu verwenden.

stellen Sie sicher, dass sich die Schneidausrüstung nicht dreht.

Sicherheitshinweise für den Betrieb

Persönliche Schutzausrüstung



WARNUNG: Lesen Sie die folgenden Warnhinweise, bevor Sie das Gerät benutzen.

- Die persönliche Schutzausrüstung kann Verletzungen nicht vollständig vermeiden, vermindert aber den Umfang der Verletzungen und Schäden bei einem Unfall. Lassen Sie sich von Ihrem Händler bei der Auswahl der richtigen Ausrüstung unterstützen.
- Tragen Sie einen Gehörschutz, wenn der Geräuschpegel höher als 85 dB ist
- Tragen Sie rutschfeste Sicherheitstiefel oder -schuhe. Verwenden Sie keine offenen Schuhe, und gehen Sie nicht barfuß.
- Tragen Sie schwere, lange Hosen.
- Tragen Sie bei Bedarf Schutzhandschuhe, beispielsweise bei der Montage, der Untersuchung oder der Reinigung der Schneidausrüstung.

Sicherheitsvorrichtungen am Gerät



WARNUNG: Lesen Sie die folgenden Warnhinweise, bevor Sie das Gerät verwenden.

- Verwenden Sie kein Gerät mit Sicherheitsvorrichtungen, die beschädigt sind oder nicht ordnungsgemäß funktionieren.
- Führen Sie regelmäßig eine Überprüfung der Sicherheitsvorrichtungen durch. Wenn die Sicherheitsvorrichtungen beschädigt sind oder nicht ordnungsgemäß funktionieren, wenden Sie sich an den Kundendienst von Husqvarna.
- Führen Sie keine Änderungen an den Sicherheitsvorrichtungen durch.

So überprüfen Sie den Schneidschutz

Der Schneidschutz verringert Vibrationen im Gerät und das Verletzungsrisiko durch die Klinge.

- Untersuchen Sie die Schneidewerkabdeckung, um sicherzustellen, dass es keine Beschädigungen wie zum Beispiel Risse gibt.

Akku (LB 244E)



WARNUNG: Ein beschädigter Akku verringert die Sicherheit des Geräts. Verwenden Sie immer einen Akku, der vom Gerätehersteller zugelassen ist.

Der Akku liefert Energie für den elektrischen Start und ist eine Sicherheitsvorrichtung, die einen versehentlichen Start verhindert. Entfernen Sie den Akku, wenn Sie das Produkt nicht betreiben und wenn Sie es unbeaufsichtigt abstellen.

So führen Sie eine Prüfung des Motorbremsgriffs durch

Der Motorbremsgriff stoppt den Motor. Wenn der Motorbremsgriff losgelassen wird, stoppt der Motor.

- Starten Sie den Motor, und lassen Sie den Motorbremsgriff los. Wenn der Motor nicht innerhalb von 3 Sekunden stoppt, lassen Sie die Motorbremse von einer autorisierten Husqvarna-Servicewerkstatt einstellen. (Abb. 19)

Schalldämpfer

Der Schalldämpfer senkt den Geräuschpegel so weit wie möglich und hält die Abgase des Motors vom Anwender fern.

Verwenden Sie das Gerät nicht, wenn der Schalldämpfer fehlt oder beschädigt ist. Ein beschädigter Schalldämpfer erhöht den Geräuschpegel und die Brandgefahr.



WARNUNG: Der Schalldämpfer wird während und nach Gebrauch und wenn der Motor im Leerlauf läuft, sehr heiß. Seien Sie in der Nähe von entzündlichen Materialien und/oder Dämpfen besonders vorsichtig, um Brandgefahr zu verhindern.

So prüfen Sie den Schalldämpfer

- Überprüfen Sie den Schalldämpfer regelmäßig, um sicherzustellen, dass er richtig angebracht und nicht beschädigt ist.

Sicherer Umgang mit Kraftstoff



WARNUNG: Lesen Sie die folgenden Warnhinweise, bevor Sie das Gerät verwenden.

- Starten Sie das Gerät nicht, wenn sich Kraftstoff oder Öl darauf befindet. Entfernen Sie den unerwünschten Kraftstoff bzw. das Öl, und lassen Sie das Gerät trocknen.
- Wechseln Sie sofort die Kleidung, wenn Sie Kraftstoff darauf verschütten.
- Lassen Sie keinen Kraftstoff auf Ihren Körper gelangen, denn dies kann zu Verletzungen führen. Wenn Kraftstoff auf Ihre Haut gelangt, waschen Sie diesen mit Wasser und Seife ab.
- Starten Sie das Gerät nicht, wenn der Motor undicht ist. Überprüfen Sie den Motor regelmäßig auf Undichtigkeiten.
- Gehen Sie vorsichtig mit Kraftstoff um. Kraftstoff ist feuergefährlich, und die Dämpfe sind explosiv und können zu Verletzungen oder sogar zum Tod führen.

- Atmen Sie die Kraftstoffdämpfe nicht ein, denn sie sind gesundheitsschädigend. Achten Sie auf ausreichende Belüftung.
- Rauchen Sie nicht in der Nähe des Kraftstoffs oder des Motors.
- Stellen Sie keine heißen Gegenstände in der Nähe des Kraftstoffs oder Motors ab.
- Füllen Sie keinen Kraftstoff nach, während der Motor läuft.
- Vergewissern Sie sich, dass der Motor abgekühlt ist, bevor Sie Kraftstoff nachfüllen.
- Öffnen Sie vor dem Nachfüllen den Tankdeckel langsam, und lassen Sie den Druck vorsichtig entweichen.
- Füllen Sie keinen Kraftstoff in den Motor, wenn Sie sich in einem Innenraum befinden. Eine mangelhafte Luftzirkulation kann zu schweren oder tödlichen Verletzungen durch Ersticken oder durch eine Kohlenmonoxidvergiftung führen.
- Schrauben Sie den Kraftstofftankdeckel fest zu. Wenn der Tankdeckel nicht fest zugeschraubt ist, besteht Feuergefahr.
- Bewegen Sie das Gerät vor dem Starten mindestens 3 m/10 ft von der Stelle fort, an der Sie den Tank befüllt hatten.
- Füllen Sie den Kraftstofftank nicht vollständig auf. Durch Hitze dehnt sich der Kraftstoff aus. Lassen Sie deshalb einen Freiraum im oberen Bereich des Kraftstofftanks.
- Lagern Sie das Gerät niemals mit Kraftstoff im Kraftstofftank in einem Gebäude, in dem Zündquellen vorhanden sind, wie z. B. Warmwasserbereiter, Raumheizgeräte oder Wäschetrockner. Lassen Sie den Motor abkühlen, bevor das Gerät in einem geschlossenen Raum aufbewahrt wird.

Sicherheitshinweise für die Wartung



WARNUNG: Lesen Sie die folgenden Warnhinweise, bevor Sie das Gerät benutzen.

- Die Abgase des Motors enthalten Kohlenmonoxid, ein geruchloses, giftiges und sehr gefährliches Gas. Starten Sie den Motor nicht in Innenräumen oder in geschlossenen Räumen.
- Bevor Sie an dem Produkt eine Wartung durchführen, schalten Sie den Motor aus und ziehen Sie das Zündkabel von der Zündkerze ab. Beim Modell LB 244E müssen Sie auch den Akku entfernen.
- Tragen Sie Schutzhandschuhe, wenn Sie an der Schneidausrüstung eine Wartung durchführen. Die Klinge ist sehr scharf und man schneidet sich sehr leicht.
- Zubehörteile und Änderungen am Produkt, die vom Hersteller nicht genehmigt wurden, können zu schweren Verletzungen oder zum Tod führen. Verändern Sie das Produkt nicht. Verwenden Sie immer Teile, die vom Hersteller genehmigt wurden.
- Wenn die Wartung nicht ordnungsgemäß und regelmäßig erfolgt, erhöht sich die Verletzungsgefahr und das Risiko für eine Beschädigung des Produkts.
- Führen Sie die Wartung nur gemäß dieser Betriebsanleitung durch. Alle anderen Wartungsarbeiten müssen von einer autorisierten Husqvarna Servicewerkstatt durchgeführt werden.
- Lassen Sie eine autorisierte Husqvarna Servicewerkstatt das Produkt regelmäßig warten.
- Ersetzen Sie beschädigte, abgenutzte oder defekte Teile.

Montage

Einleitung



WARNUNG: Vor dem Betrieb des Gerätes müssen Sie die Sicherheitsinformationen lesen und verstehen.



WARNUNG: Ziehen Sie den Zündkerzenstecker von der Zündkerze ab, bevor Sie das Gerät zusammenbauen.

So montieren Sie den Griff

1. Ziehen Sie den Griff nach hinten, bis er sich in der Endposition befindet. (Abb. 20)

2. Ziehen Sie die Griffknöpfe fest. (Abb. 21)

So stellen Sie die Handgriffhöhe ein

1. Stellen Sie sicher, dass sich der Bügel für die Höheneinstellung in der Nut befindet. Drücken Sie den Bügel für die Höheneinstellung mit dem Fuß nach unten, wenn er nicht in der Nut sitzt. (Abb. 22)
2. Drücken Sie mit dem Fuß auf den Höheneinstellungsbügel.
3. Bringen Sie den Lenker in die richtige Position, und lassen Sie den Lenker los. (Abb. 23)

Betrieb

Einleitung



WARNUNG: Vor dem Betrieb des Gerätes müssen Sie die Sicherheitsinformationen lesen und verstehen.

Husqvarna Connect

Husqvarna Connect ist eine kostenlose App für Ihr Mobilgerät. Die Husqvarna Connect App bietet erweiterte Funktionen für Ihr Gerät:

- Erweiterte Produktinformationen
- Informationen über Produktteile und -wartung sowie entsprechende Hilfe dazu.

So verwenden Sie Husqvarna Connect

1. Laden Sie die Husqvarna Connect App auf Ihr Mobiltelefon.
2. Anmeldung bei der Husqvarna Connect App.
3. Befolgen Sie die Anweisungen in der Husqvarna Connect App, um sich zu verbinden und das Gerät zu registrieren.

Bevor Sie das Gerät in Betrieb nehmen

1. Lesen Sie die Betriebsanleitung sorgfältig durch, und stellen Sie sicher, dass Sie die Anweisungen verstehen.
2. Untersuchen Sie die Schneidusrüstung, um sicherzustellen, dass sie ordnungsgemäß befestigt und eingestellt ist. Siehe *So prüfen Sie die Schneidusrüstung auf Seite 77*.
3. Kontrollieren Sie den Ölstand und füllen Sie gegebenenfalls Motoröl nach. Siehe *So prüfen Sie den Ölstand auf Seite 77*.
4. Den Kraftstofftank auffüllen Siehe *So füllen Sie Kraftstoff ein auf Seite 74*.

So füllen Sie Kraftstoff ein

Verwenden Sie, falls verfügbar, schadstoffarmes Benzin/Alkylat-Kraftstoff. Wenn schadstoffarmes Benzin/Alkylat-Kraftstoff nicht verfügbar ist, verwenden Sie ein qualitativ hochwertiges, bleifreies Benzin oder verbleites Benzin mit einer Oktanzahl von mindestens 91.



ACHTUNG: Verwenden Sie kein Benzin mit einer geringeren Oktanzahl als 91 RON. Dadurch kann das Gerät beschädigt werden.



ACHTUNG: Ersetzen Sie den Kraftstofffilter jährlich oder ggf. häufiger. Einen neuen Kraftstofffilter erhalten Sie bei Ihrem Husqvarna-Händler.



ACHTUNG: Stellen Sie den Motor immer ab, bevor Sie mit dem Betanken beginnen.



ACHTUNG: Verwenden Sie keine unter Druck stehenden Startflüssigkeiten.

1. Öffnen Sie den Tankdeckel langsam, damit der Druck entweichen kann.
2. Füllen Sie langsam mit einem Kraftstoffkanister auf. Wenn Sie Kraftstoff verschütten, entfernen Sie ihn mit einem Tuch und lassen den verbleibenden Treibstoff trocknen. (Abb. 24)
3. Säubern Sie den Bereich rund um den Tankdeckel.
4. Schrauben Sie den Kraftstofftankdeckel fest zu. Wenn der Tankdeckel nicht fest zugeschraubt ist, besteht Feuergefahr.
5. Bewegen Sie das Gerät vor dem Starten mindestens 3 m/10 ft von der Stelle fort, an der Sie den Tank befüllt hatten.

So bringen Sie das Gerät in die Betriebsposition

1. Montieren Sie den Griff. Siehe *So montieren Sie den Griff auf Seite 73*.
2. Stellen Sie die Handgriffhöhe ein. Siehe *So stellen Sie die Handgriffhöhe ein auf Seite 73*.



ACHTUNG: Stellen Sie sicher, dass die Kabel nicht zu sehr unter Spannung stehen. Eine zu hohe Spannung kann zu Schäden am Kabel führen, wenn sich der Griff in der Transportposition befindet.



WARNUNG: Das Gerät darf nur in Betrieb genommen werden, wenn der Griff ganz hochgeklappt und in einer der vorgesehenen Höhenstufen arretiert ist. Siehe *So stellen Sie die Handgriffhöhe ein auf Seite 73*.

So stellen Sie die Schnitthöhe ein

Die Schnitthöhe lässt sich in 6 Stufen einstellen.

1. Stellen Sie den Motor ab.

2. Bewegen Sie den Schnitthöhenhebel nach hinten, um die Schnitthöhe zu erhöhen. (Abb. 25)
3. Bewegen Sie den Schnitthöhenhebel nach vorne, um die Schnitthöhe zu verringern.



ACHTUNG: Stellen Sie die Schnitthöhe nicht zu niedrig ein. Die Klingen können auf den Boden treffen, wenn die Oberfläche des Rasens nicht eben ist.

So starten Sie das Gerät

- Stellen Sie sicher, dass das Zündkabel mit der Zündkerze verbunden ist.

Manueller Start (LB 144)

1. Halten Sie sich immer hinter dem Gerät auf.
2. Halten Sie den Motorbremsgriff gegen den oberen Griff. (Abb. 26)
3. Ziehen Sie den Griff am Starterseilhandgriff mit Ihrer rechten Hand.
4. Ziehen Sie langsam das Startseil, bis Sie etwas Widerstand spüren.
5. Ziehen Sie kräftig, um den Motor anzulassen.



WARNUNG: Wickeln Sie das Startseil nicht um Ihre Hand.

Elektrostart (LB 244E)

1. Sicherstellen, dass der Akku vollständig geladen ist. Siehe *Akkuwartung (LB 244E) auf Seite 78*.
2. Bringen Sie den Akku am Motor an. Der Akku rastet einem hörbaren Klickgeräusch in der richtigen Position ein. (Abb. 27)
3. Bleiben Sie hinter dem Gerät und halten Sie den Motorbremsgriff (A) gegen den oberen Griff. (Abb. 28)

4. Halten Sie die elektrische Start-Taste (B) drei bis fünf Sekunden lang gedrückt. Der Motor startet.

Hinweis: Wenn der Motor nicht startet, warten Sie eine Minute und versuchen anschließend erneut, das Gerät zu starten.

So stoppen Sie das Produkt

- Um den Motor zu stoppen, lassen Sie den Motorbremsgriff los.

So entfernen Sie den Akku (LB 244E)

Um ein unbeabsichtigtes Starten des Motors zu vermeiden, entfernen Sie den Akku, wenn das Gerät nicht in Betrieb ist.

- Drücken Sie den Sperrknopf (A) und ziehen Sie den Akku gerade heraus. (Abb. 29)

So erhalten Sie ein gutes Arbeitsergebnis

- Benutzen Sie immer eine scharfe Klinge. Eine stumpfe Klinge liefert ein unregelmäßiges Ergebnis, und die Schnittfläche des Grases wird gelb. Eine scharfe Klinge verbraucht außerdem weniger Energie als eine stumpfe Klinge.
- Schneiden Sie nicht mehr als $\frac{1}{3}$ der Länge des Grases ab. Mähen Sie zuerst mit einer hohen Schnitthöhe. Überprüfen Sie das Ergebnis, und senken Sie die Schnitthöhe auf eine entsprechende Stufe. Wenn das Gras sehr lang ist, fahren Sie langsam und mähen bei Bedarf 2-mal.
- Mähen Sie bei jedem Mal in eine andere Richtung, um Streifen auf dem Rasen zu vermeiden.
- Halten Sie die Schneidwerkabdeckung sauber. Ansammlungen von Gras und Schmutz auf der Innenseite der Schneidwerkabdeckung können das Schneidergebnis beeinträchtigen. Siehe *So reinigen Sie die Innenseite der Schneidwerkabdeckung auf Seite 76*.

Wartung

Einleitung



WARNUNG: Bevor Sie eine Wartung durchführen, müssen Sie das Kapitel über die Sicherheit lesen und verstehen.

Für alle Wartungs- und Reparaturarbeiten am Produkt ist eine spezielle Schulung erforderlich. Wir garantieren die Verfügbarkeit von professionellen Reparaturen und Wartungsarbeiten. Wenn Ihr Händler keine Servicewerkstatt ist, sprechen Sie mit ihm, um Informationen über die nächste Servicewerkstatt zu erhalten.

Genauere Informationen finden Sie unter www.husqvarna.com.

Wartungsplan



ACHTUNG: Stellen Sie sicher, dass der Luftfilter nach oben und nicht zum Boden hin ausgerichtet ist, wenn Sie das Gerät schräg stellen. Risiko von Motorschäden.



ACHTUNG: Entfernen Sie bei Modellen mit elektrischem Start stets den Akku, bevor Sie Instandhaltungs-

Die Wartungsintervalle werden anhand der täglichen Nutzung des Geräts berechnet. Die Intervalle ändern sich, wenn das Gerät nicht täglich verwendet wird.

Instand halten	Täglich	Monatlich	Zu jeder Jahreszeit
Eine allgemeine Inspektion durchführen	X		
Den Ölstand prüfen	X		
Das Öl wechseln (erstmalig nach 5 Betriebsstunden, danach alle 50 Betriebsstunden) ²⁹			X
Das Gerät reinigen	X		
Den Bereich um den Höheneinstellungsbügel reinigen	X		
Die Schneidusrüstung prüfen	X		
Die Schneidwerkabdeckung prüfen *	X		
Den Motorbremsgriff prüfen*	X		
Den Schalldämpfer prüfen *		X	
Die Zündkerze überprüfen. Die Zündkerze bei Bedarf reinigen oder ersetzen			X
Den Luftfilter prüfen	X		
Den Luftfilter reinigen ³⁰		X	
Den Luftfilter ersetzen			X
Den Kraftstofffilter prüfen			X
Die Zylinderkühlrippen reinigen		X	

So führen Sie eine allgemeine Inspektion durch

- Stellen Sie sicher, dass alle Muttern und Schrauben am Gerät richtig angezogen sind.

So reinigen Sie das Produkt außen

- Verwenden Sie einen Pinsel, um Blätter, Gras und Schmutz zu entfernen.
- Achten Sie darauf, dass der Lufteinlass auf der Oberseite des Motors nicht blockiert ist.
- Reinigen Sie das Gerät nicht mit einem Hochdruckreiniger.
- Wenn Sie Wasser verwenden, um das Produkt zu reinigen, bringen Sie das Wasser nicht direkt auf den Motor auf.

So einigen Sie den Bereich um den Höheneinstellungsbügel

- Verwenden Sie einen Pinsel, um Blätter, Gras und Schmutz zu entfernen.
(Abb. 30)

So reinigen Sie die Innenseite der Schneidwerkabdeckung

1. Leeren Sie den Kraftstofftank.
2. Kippen Sie das Gerät. Stellen Sie sicher, dass die Zündkerze nach oben gerichtet ist.

²⁹ Wenn das Gerät mit hoher Last oder bei hohen Umgebungstemperaturen betrieben wird, das Motoröl alle 25 Betriebsstunden wechseln.

³⁰ Bei staubigen Bedingungen oder Schmutzpartikeln in der Luft häufiger reinigen. Den Luftfilter bei starker Verschmutzung ersetzen.



ACHTUNG: Wenn das Gerät mit dem Luftfilter nach unten gelegt wird, kann der Motor beschädigt werden.

3. Spritzen Sie die Innenfläche der Schneidwerkabdeckung mit dem Wasserschlauch ab.

So prüfen Sie die Schneidrüstung



WARNUNG: Um ein unbeabsichtigtes Starten zu vermeiden, entfernen Sie das Zündkabel von der Zündkerze.



WARNUNG: Tragen Sie Schutzhandschuhe, wenn Sie an der Schneidrüstung eine Wartung durchführen. Die Klinge ist sehr scharf und man schneidet sich sehr leicht.

1. Prüfen Sie die Schneidrüstung auf Beschädigungen oder Risse. Wechseln Sie eine beschädigte Schneidrüstung unbedingt aus.
2. Schauen Sie sich die Klinge an, um festzustellen, ob sie beschädigt oder stumpf ist.

Hinweis: Nach dem Schärfen muss die Klinge ausbalanciert werden. Lassen Sie eine Servicewerkstatt die Klinge schärfen, ersetzen und ausbalancieren. Wenn Sie auf ein Hindernis treffen, das das Produkt zum Halten bringt, ersetzen Sie die beschädigte Klinge. Lassen Sie die Werkstatt beurteilen, ob die Klinge geschliffen werden kann oder ersetzt werden muss.

So tauschen Sie die Klinge aus

1. Arretieren Sie die Klinge mit einem Holzblock. (Abb. 31)
2. Entfernen Sie die Klingenschraube und die Federscheibe.
3. Entfernen Sie die Klinge.
4. Prüfen Sie die Halterung und den Bolzen der Klinge, um festzustellen, ob Beschädigungen vorliegen.
5. Prüfen Sie die Motorwelle, um sicherstellen, dass sie nicht geknickt ist.
6. Wenn Sie die neue Klinge montieren, zeigen die abgewinkelten Enden der Klinge in die Richtung der Schneidwerkabdeckung. (Abb. 32)
7. Stellen Sie sicher, dass die Klinge an der Mitte der Motorwelle ausgerichtet ist.
8. Arretieren Sie die Klinge mit einem Holzblock. Befestigen Sie die Federscheibe, und ziehen Sie die Schraube und die Unterlegscheibe mit einem Drehmoment von 44-46 Nm an. (Abb. 33)
9. Drehen Sie die Klinge mit der Hand, um sicherzustellen, dass sie sich einwandfrei dreht.



WARNUNG: Tragen Sie Sicherheitshandschuhe. Die Klinge ist sehr scharf, und man schneidet sich sehr leicht.

10. Starten Sie das Gerät, um die Klinge zu prüfen. Wenn die Klinge nicht richtig befestigt ist, gibt es beim Gerät Vibrationen, oder das Schneidergebnis ist unbefriedigend.

So prüfen Sie den Ölstand



ACHTUNG: Ein zu niedriger Ölstand kann den Motor beschädigen. Überprüfen Sie den Ölstand, bevor Sie das Gerät starten.

1. Stellen Sie das Gerät auf einer ebenen Fläche ab.
2. Entfernen Sie den Öltankdeckel und den montierten Messstab.
3. Reinigen Sie den Messstab von Öl.
4. Stecken Sie den Messstab vollständig in den Öltank.
 - a) Bringen Sie den Öltankdeckel nicht an LB 144 an.
 - b) Bringen Sie den Öltankdeckel an LB 244E an.
5. Entfernen Sie den Öltankdeckel und den Messstab.
6. Prüfen Sie den Ölstand am angebrachten Messstab.
7. Wenn der Ölstand zu niedrig ist, füllen Sie Motoröl nach und kontrollieren den Ölstand erneut. (Abb. 34)

Hinweis: Verwenden Sie einen Trichter, um ein Verschütten zu vermeiden.

8. Bringen Sie den Öltankdeckel an, wenn der Ölstand korrekt ist.

So wechseln Sie das Motoröl



WARNUNG: Das Motoröl ist direkt nach dem Abstellen des Motors sehr heiß. Lassen Sie den Motor abkühlen, bevor Sie das Motoröl ablassen. Wenn Motoröl auf Ihre Haut gerät, reinigen Sie diese mit Wasser und Seife.

(Abb. 35)

1. Arbeiten Sie so lange mit dem Gerät, bis der Tank leer ist.
2. Trennen Sie das Zündkabel von der Zündkerze.
3. Entfernen Sie den Öltankdeckel und den montierten Messstab.
4. Stellen Sie einen Behälter unter das Gerät, um das Motoröl aufzufangen.
5. Neigen Sie das Gerät oder lassen Sie das Motoröl mit einer Ölpumpe (Zubehör) aus dem Öltank ab.

6. Füllen Sie ein Motoröl des Typs ein, das empfohlen wird unter *Technische Angaben auf Seite 82*.
7. Prüfen Sie den Ölstand. Siehe *So prüfen Sie den Ölstand auf Seite 77*.
8. Bringen Sie den Öltankdeckel an, wenn der Ölstand korrekt ist.

Luftfilter

Ein verschmutzter Luftfilter kann dazu führen, dass der Motor beschädigt wird oder nicht ordnungsgemäß funktioniert. Warten Sie den Luftfilter bei staubigen Bedingungen häufiger. Siehe *Wartungsplan auf Seite 75* für Informationen darüber, wann Sie den Luftfilter ersetzen müssen.

Hinweis: Ersetzen Sie einen beschädigten Luftfilter in jedem Fall.

So entfernen und installieren Sie den Luftfilter (LB 244E)



WARNUNG: Tragen Sie stets Schutzhandschuhe.

1. Drücken Sie die Clips am Luftfilterdeckel.
2. Entfernen Sie den Luftfilterdeckel (A) vorsichtig vom Motor.
3. Nehmen Sie den Luftfilter heraus. (Abb. 36)
4. Überprüfen Sie den Luftfilter auf Schäden. Ersetzen Sie beschädigte Luftfilter.
5. Reinigen Sie den Luftfilter, und untersuchen Sie ihn. Siehe *So reinigen Sie den Luftfilter (LB 244E) auf Seite 78*.
6. Die Montage erfolgt in umgekehrter Reihenfolge.

So reinigen Sie den Luftfilter (LB 244E)

Ein verschmutzter Luftfilter kann dazu führen, dass der Motor beschädigt wird oder nicht ordnungsgemäß funktioniert. Warten Sie den Luftfilter bei staubigen Bedingungen häufiger.

Siehe *Wartungsplan auf Seite 75* für Informationen darüber, wann Sie den Luftfilter ersetzen müssen.

1. Nehmen Sie den Luftfilterdeckel ab, und entfernen Sie den Luftfilter.
2. Reinigen Sie den Filter, indem Sie ihn gegen eine flache Oberfläche klopfen. Reinigen Sie den Filter nicht mit einem petroleumhaltigen Lösungsmittel, mit Kerosin oder mit Druckluft.

Hinweis: Luftfilter, die über einen langen Zeitraum verwendet werden, können nicht vollständig gereinigt werden. Ersetzen Sie den Luftfilter in regelmäßigen Abständen. Beschädigte Luftfilter sind immer auszuwechseln.

3. Achten Sie beim Zusammenbau des Luftfilters darauf, dass er den Luftfilterhalter vollständig abdichtet.

So reinigen Sie den Schaumstofffilter (LB 144)



ACHTUNG: Starten Sie den Motor nicht ohne Luftfilter. Der Motorverschleiß erhöht sich, wenn die Luft verschmutzt ist.

1. Entfernen Sie den Luftfilterdeckel (A). (Abb. 37)
2. Entfernen Sie die Schaumstofffilter (B).



ACHTUNG: Untersuchen Sie die Schaumstofffilter auf Schäden oder Verschleiß. Ersetzen Sie alle beschädigten Schaumstofffilter.

3. Reinigen Sie die Schaumstofffilter mit Seife und Wasser.
4. Spülen Sie die Schaumstofffilter in klarem Wasser ab.
5. Drücken Sie das Wasser aus den Schaumstofffiltern, und lassen Sie sie trocknen.



ACHTUNG: Benutzen Sie keine Druckluft. Sie kann den Schaumstofffilter beschädigen.

6. Schmieren Sie die Schaumstofffilter mit Motoröl ein.
7. Drücken Sie ein sauberes Tuch gegen den Schaumstofffilter, um unerwünschtes Öl zu entfernen.
8. Installieren Sie die Schaumlufffilter. Achten Sie darauf, dass die Schaumstofffilter die Luftfilterhalterung vollständig abdichten.
9. Installieren Sie den Luftfilterdeckel.

Akkuwartung (LB 244E)

Der Akku ist wartungsfrei. Lassen Sie die Akkus nur von einem zugelassenen Service-Center warten, wenn dies erforderlich ist.

Bei erstmaliger Verwendung des Akkus (LB 244E)



ACHTUNG: Achten Sie darauf, dass der Akku nicht vollständig entladen wird. Wenn der Akku vollständig entladen wird, kann er beschädigt werden.

Sie müssen den Akku vor dem ersten Betrieb aufladen.

1. Schließen Sie das Akkuladegerät an den Akku an, siehe *So laden Sie den Akku (LB 244E) auf Seite 79*.
2. Warten Sie, bis mindestens eine grüne LED aufleuchtet.

3. Bringen Sie den Akku am Motor an, siehe *Elektrostart (LB 244E) auf Seite 75.*

So laden Sie den Akku (LB 244E)

Wenn nur eine oder keine Leuchte am Akku leuchtet, ist Aufladen erforderlich. Ein leerer Akku ist in 2 Stunden vollständig geladen. Kürzere Ladevorgänge führen nicht zu Schäden am Akku.

1. Schließen Sie das Akkuladegerät an den Akku an. (Abb. 38)
2. Schließen Sie das Akkuladegerät an einen Netzanschluss mit 100-240 V, 50-60 Hz an.
3. Ziehen Sie zuerst das Ladegerät aus der Steckdose und trennen Sie dann das Ladegerät vom Akku.

Status des Akkuladezustands

LED-Anzeige am Akku	Status
LED 1 blinkt rot.	1 %-9 %
LED 1 leuchtet durchgehend rot.	10%-32%
LED 1 leuchtet grün und LED 2 leuchtet rot.	33%-54%
LED 1 und 2 leuchten grün und LED 3 leuchtet rot.	55%-77%
LED 1, 2 und 3 leuchten grün und LED 4 leuchtet rot.	78%-100%

Leuchte am Ladegerät	Status
Permanent rot	Der Akku wird aufgeladen.
Permanent grün	Der Akku ist voll geladen.

So prüfen Sie die Zündkerze



ACHTUNG: Verwenden Sie stets den vom Hersteller empfohlenen Zündkerzentyp! Die Verwendung eines falschen Zündkerzentyps kann zu Schäden am Gerät führen.

- Überprüfen Sie die Zündkerze, wenn der Motor nur schwache Leistung bringt, sich nur schwer starten lässt oder im Leerlauf nicht ordnungsgemäß läuft.
- Wenn Sie diese Anweisungen befolgen, verringern Sie die Gefahr von unerwünschtem Material an den Elektroden der Zündkerze:
 - a) Stellen Sie sicher, dass die Leerlaufdrehzahl richtig eingestellt ist.

- b) Vergewissern Sie sich, dass das Kraftstoffgemisch korrekt ist.
 - c) Vergewissern Sie sich, dass der Luftfilter sauber ist.
- Ist die Zündkerze verschmutzt, so ist sie zu reinigen; gleichzeitig ist zu prüfen, ob der Elektrodenabstand korrekt ist, siehe *Technische Angaben auf Seite 82.* (Abb. 39)
 - Ersetzen Sie die Zündkerze bei Bedarf.

So prüfen Sie die Kraftstoffanlage

- Prüfen Sie den Kraftstofftankdeckel und die Dichtung für den Tankdeckel, um sicherzustellen, dass keine Beschädigungen vorliegen.
- Untersuchen Sie den Kraftstoffschlauch, um sicherzustellen, dass keine undichten Stellen vorhanden sind. Wenn der Schlauch beschädigt ist, lassen Sie ihn durch eine Servicewerkstatt austauschen.

So leeren Sie den Kraftstofftank

1. Stellen Sie einen Behälter unter den Kraftstofftank.
2. Entfernen Sie den Kraftstofftankdeckel.
3. Drücken Sie die Schlauchschellen am Kraftstoffschlauch gegen den Vergaser.
4. Ziehen Sie den Kraftstoffschlauch vom Vergaser ab.
5. Stecken Sie den Kraftstoffschlauch in den Behälter und entfernen Sie die Schlauchschellen.
6. Kippen Sie das Gerät, und lassen Sie den Kraftstoff in den Behälter ab.

So ersetzen Sie den Kraftstofffilter



WARNUNG: Tragen Sie stets Schutzhandschuhe.

1. Leeren Sie den Kraftstofftank.
2. Schieben Sie den Schlauchhalter vom Kraftstofftank weg. (Abb. 40)
3. Entfernen Sie den Kraftstoffschlauch vom Kraftstofftank. Eine geringe Menge Kraftstoff kann auslaufen. (Abb. 41)
4. Entfernen Sie den Kraftstofffilter vom Kraftstofftank. (Abb. 42)
5. Installieren Sie einen neuen Kraftstofffilter im Kraftstofftank.
6. Befestigen Sie den Kraftstoffschlauch am Kraftstofftank.
7. Bringen Sie den Schlauchhalter am Kraftstofftank in die richtige Position.

Fehlersuche am Motor

Problem	Mögliche Ursache	Lösung
Der Motor springt nicht an.	Das Zündkabel ist nicht richtig angeschlossen.	Das Zündkabel an die Zündkerze anschließen.
	Der Kraftstofftank ist leer.	Den Kraftstofftank mit dem richtigen Kraftstofftyp auffüllen.
	Der Kraftstoff ist alt.	Den Kraftstofftank und den Vergaser leeren. Frischen Kraftstoff nachfüllen.
	Es befindet sich Schmutz im Vergaser oder in der Kraftstoffleitung.	Den Vergaser bzw. die Kraftstoffleitung reinigen.
	Die Zündkerze ist beschädigt.	Den Elektrodenabstand korrigieren und die Zündkerze reinigen oder ersetzen.
	An der Zündkerze befindet sich Kraftstoff.	Die Zündkerze reinigen.
Der Motor stoppt nicht.	Der Stoppmechanismus funktioniert nicht korrekt.	Das Zündkabel von der Zündkerze abziehen. Die Reparatur von einer autorisierten Servicewerkstatt durchführen lassen.
Der Motor läuft nicht rund.	Das Zündkabel ist nicht richtig angeschlossen.	Das Zündkabel an die Zündkerze anschließen.
	Es befindet sich Schmutz in der Kraftstoffleitung, oder der Kraftstoff ist abgelaufen.	Die Kraftstoffleitung reinigen. Den Kraftstofftank mit frischem Kraftstoff des richtigen Typs auffüllen.
	Der Kraftstofftankdeckel ist verstopft.	Den Kraftstofftankdeckel reinigen.
	Es befindet sich Wasser oder Schmutz im Kraftstoffsystem.	Leeren Sie den Kraftstofftank. Den Kraftstofftank mit frischem Kraftstoff des richtigen Typs auffüllen.
	Der Luftfilter ist verschmutzt.	Den Luftfilter reinigen.
	Der Vergaser muss eingestellt werden.	Den Vergaser von einem Servicehändler einstellen lassen.
Der Motor wird zu heiß.	Der Motorölstand ist zu niedrig.	Motoröl nachfüllen.
	Der Luftstrom ist zu schwach.	Den Luftfilter und das Luftfiltergehäuse reinigen.
	Der Vergaser muss eingestellt werden.	Den Vergaser von einem Servicehändler einstellen lassen.
Es kommt zu Fehlzündungen, wenn der Motor bei hoher Drehzahl läuft.	Der Elektrodenabstand in der Zündkerze ist zu gering.	Den Elektrodenabstand einstellen.
Ungewöhnliche Motorgeräusche bei normaler Belastung.	Falscher Kraftstofftyp.	Den Kraftstofftank und den Vergaser leeren. Frischen Kraftstoff nachfüllen. Siehe <i>So prüfen Sie die Kraftstoffanlage auf Seite 79</i> . Wenn das Problem weiterhin besteht, einen Servicehändler vor Ort kontaktieren.

Problem	Mögliche Ursache	Lösung
Der Motor läuft bei Leerlaufdrehzahl nicht gleichmäßig.	Die Zündkerze ist verschmutzt oder beschädigt, oder der Elektrodenabstand ist zu groß.	Den Elektrodenabstand korrigieren oder eine andere Zündkerze verwenden.
	Der Vergaser muss eingestellt werden.	Den Vergaser einstellen.
	Der Luftfilter ist verschmutzt.	Den Luftfilter reinigen.

Transport, Lagerung und Entsorgung

Transport und Lagerung

- Für die Lagerung und den Transport des Produkts und des Kraftstoffs ist darauf zu achten, dass keine Lecks oder Dämpfe vorhanden sind. Funken oder offene Flammen, zum Beispiel von elektrischen Geräten oder einem Boiler, können ein Feuer auslösen.
- Verwenden Sie für die Lagerung und den Transport von Kraftstoff immer zugelassene Behälter.
- Leeren Sie den Kraftstofftank, bevor Sie das Produkt über einen längeren Zeitraum einlagern. Entsorgen Sie den Kraftstoff in einer geeigneten Abfallentsorgungsstelle.
- Sichern Sie das Produkt während des Transports ab, um Schäden und Unfälle zu vermeiden.
- Bewahren Sie das Produkt in einem verschlossenen Bereich auf, um einen unerlaubten Zugriff durch Kinder oder andere Personen zu verhindern.
- Bewahren Sie das Produkt an einem trockenen und frostfreien Raum auf.

- Wenn die Lagerzeit mehr als 30 Tage beträgt, laden Sie den Akku auf, bis mehr als drei grüne LEDs leuchten.
- Laden Sie den Akku einmal alle drei Monate auf, um Schäden am Akku zu vermeiden.
- Akku und Ladegerät müssen zwischen 5 °C und 40 °C gelagert werden. Höhere Temperaturen oder starke Hitzequellen, wie z. B. Feuer, können zu Schäden am Akku führen.
- Zerlegen Sie die Batterie nicht.
- Tauchen Sie den Akku nicht in Wasser. Lagern Sie den Akku an einem kühlen und trockenen Ort mit guter Belüftung.
- Wenn der Akku riecht, heiß ist oder wenn die Hitze während des Betriebs, der Lagerung oder des Ladevorgangs zu einer Verformung des Akkus führt, entfernen Sie den Akku und verwenden ihn nicht.
- Stellen Sie sicher, dass der Akku oder das Akkuladegerät während des Transports gut befestigt ist, um Schäden zu vermeiden.
- Achten Sie darauf, dass das Akkuladegerät nicht zu heiß wird.

So bringen Sie das Gerät in die Transportposition

1. Lösen Sie die Griffknöpfe. (Abb. 43)
2. Klappen Sie den Griff nach vorne, bis er die Endposition erreicht hat. (Abb. 44)

Transport und Lagerung von Akku und Ladegerät

- Entfernen Sie den Akku erst, wenn das Gerät still steht und abgekühlt ist. Um den Akku zu entfernen, halten Sie die Taste auf der Oberseite des Akkus gedrückt und entfernen ihn aus dem Steckplatz.

Entsorgung

- Befolgen Sie die örtlichen Recyclinganforderungen und geltenden Vorschriften.
- Entsorgen Sie alle Chemikalien, z. B. Motoröl oder Frostschutzmittel, in einer Servicewerkstatt oder in einer geeigneten Abfallentsorgungsstelle.
- Wenn Sie das Produkt nicht mehr benutzen, senden Sie es an einen Husqvarna Händler oder entsorgen Sie es in einer Wiederverwertungsanlage.
- Entsorgen Sie den Akku in einer Servicewerkstatt oder einer Beseitigungsanlage für Altbatterien.

Technische Angaben

Technische Daten

	LB 144	LB 244E
Motor		
Marke	Husqvarna	Husqvarna
Model	HS 123A	HS 139AE
Motorotyp	Einzylinder, 4-Takt, Zwangsluftkühlung, OHV	Einzylinder, 4-Takt, Zwangsluftkühlung, OHV
Hubraum, cm ³	123	139
Motordrehzahl – Nennwert, U/min	3000/min	2900/min
Nennleistung des Motors, kW ³¹	1,95	2,2
Zündanlage		
Zündkerze	Husqvarna HQT-7	Husqvarna HQT-7
Elektrodenabstand, mm	0,7-0,8	0,7-0,8
Kraftstoff- und Schmiersystem		
Motorschmiertyp	Splash	Splash
Füllmenge Kraftstofftank, l	0,9	0,9
Füllmenge Öltank, Liter	0,5	0,5
Motoröl ³²	Husqvarna SAE 30, Husqvarna SAE 5W-30 Synthetic, Husqvarna SAE 10W-40	Husqvarna SAE 30, Husqvarna SAE 5W-30 Synthetic, Husqvarna SAE 10W-40
Gewicht		
Mit leeren Tanks, kg	22	23,5
Geräuschemissionen ³³		
Schallleistungspegel, gemessen dB (A)	91	92
Schallleistungspegel, garantiert L _{WA} dB (A)	94	94

³¹ Die Motornennleistung ist die durchschnittlich nach SAE-Standard J1349/ISO1585 gemessene Nettoleistung eines typischen Motors aus der Produktion, die (bei einer bestimmten Drehzahl) an das Motormodell abgegeben wird. Motoren für die Massenproduktion können von diesem Wert abweichen. Die tatsächliche Ausgangsleistung des eingebauten Motors hängt von der Betriebsdrehzahl, den Umgebungsbedingungen und anderen Werten ab.

³² Verwenden Sie Motoröl der Qualität API SJ oder höher. Wird SAE-30-Öl bei Temperaturen unter +5 °C verwendet, besteht die Gefahr, dass der Motor nicht ausreichend geschmiert wird. Dadurch können schwere Motorschäden entstehen. Hinweise zur Verwendung des richtigen Öls bei niedrigen Temperaturen finden Sie unter *So wechseln Sie das Motoröl auf Seite 77*. Schauen Sie in der Viskositätstabelle im Motorhandbuch (falls vorhanden) nach, und wählen Sie die beste Viskosität je nach erwarteter Außentemperatur aus.

³³ Umweltbelastende Geräuschemissionen, gemessen als Schallleistung (L_{WA}) gemäß EG-Richtlinie 2000/14/EG.

	LB 144	LB 244E
Schallpegel ³⁴		
Schalldruckpegel am Ohr des Bedieners, dB (A)	79	80
Vibrationspegel ³⁵		
Vibrationen oberer Griff, m/s ²	7,6	6,0
Schneidausrüstung		
Schnitthöhe, mm	25-75	25-75
Schnittbreite, mm	440	440
Schneidsystem	Bioclip®	Bioclip®
Klinge – Standard	Mulch 5464584-10	Mulch 5464584-10
Startsystem		
Elektrostart	Nein	Ja
Akku	-	Li-Ionen, 10,8 V, 21,6 Wh

³⁴ Berichten zufolge liegt der Schalldruckpegel normalerweise bei einer Ausbreitungsklasse (Standardabweichung) von 1,2 dB (A).

³⁵ Berichten zufolge liegt der Vibrationspegel normalerweise bei einer Ausbreitungsklasse (Standardabweichung) von 0,2 m/s².

Konformitätserklärung

EU-Konformitätserklärung

Die **Husqvarna AB**, SE-561 82 Huskvarna, Schweden,
Tel.: +46-36-146500, erklärt in alleiniger Verantwortung,
dass das Gerät:

Beschreibung	Rasenmäher
Marke	Husqvarna
Typ/Modell	LB 144, LB 244E
Identifizierung	Seriennummern ab 2023

die folgenden EU-Richtlinien und -Verordnungen erfüllt:

Verordnung	Beschreibung
2006/42/EG	„Maschinenrichtlinie“
2014/30/EG	„EMV-Richtlinie“
2000/14/EG	„über umweltbelastende Geräuschemissionen von zur Verwendung im Freien vorgesehenen Geräten und Maschinen“
2011/65/EG	„zur Beschränkung der Verwendung bestimmter gefährlicher Stoffe in Elektro- und Elektronikgeräten“

und dass die folgenden Normen und/
oder technischen Daten angewendet werden:
EN ISO 5395-1:2013+A1:2018, EN ISO
5395-2:2013+A1:2016+A2:2017, EN IEC 63000:2018,
EN ISO 14982:2009

Benannte Stelle: 0404, SMP Svensk Maskinprovning
AB, Box 4053, SE-904 03 Umeå, Schwedenbestätigte
die Konformität mit der Richtlinie 2000/14/EG,
Konformitätsbewertungsverfahren nach: Anhang VI.

Informationen zu Geräuschemissionen finden Sie unter
Technische Angaben auf Seite 82.

Huskvarna, 2023-09-18



Claes Losdal, Entwicklungsleiter/Gartenprodukte,
Husqvarna AB

Verantwortlich für die technische Dokumentation



Περιεχόμενα

Εισαγωγή.....	85	Αντιμετώπιση προβλημάτων κινητήρα.....	96
Ασφάλεια.....	86	Μεταφορά, αποθήκευση και απόρριψη.....	97
Συναρμολόγηση.....	89	Τεχνικά στοιχεία.....	98
Λειτουργία.....	90	Δήλωση Συμμόρφωσης.....	100
Συντήρηση.....	92		

Εισαγωγή

Περιγραφή προϊόντος

Το προϊόν είναι ένα ωθούμενο χλοοκοπτικό γκαζόν πεζού χειριστή με κύλινδρο, που χρησιμοποιεί το BioClip για να κόψει το γρασίδι σε σύνθεση λιπάσματος.

Επισκόπηση προϊόντος

(Εικ. 1)

1. Λαβή φρένου κινητήρα
2. Λαβή/χειρολαβή
3. Λαβή κορδονιού εκκίνησης (LB 144)
4. Μοχλός ρύθμισης του ύψους κοπής
5. Τάπα λαδιού και δείκτης στάθμης
6. Εξάτμιση
7. Μπουζί
8. Λαβή ανύψωσης
9. Ασφάλεια ρύθμισης ύψους για τη χειρολαβή
10. Τάπα νεπεόζιτου καυσίμου
11. Φίλτρο αέρα
12. Κάλυμμα κοπής
13. Λεπίδα
14. Ροδέλα ελατηρίου
15. Βίδα λεπίδας
16. Μπαταρία, συσκευή ασφαλείας (LB 244E)
17. Ηλεκτρικό κουμπί εκκίνησης (LB 244E)
18. Εγχειρίδιο χρήσης

Σύμβολα στο προϊόν

(Εικ. 2) ΠΡΟΕΙΔΟΠΟΙΗΣΗ! Να είστε προσεκτικοί και να χρησιμοποιείτε το προϊόν σωστά. Αυτό το προϊόν μπορεί να προκαλέσει σοβαρό τραυματισμό ή θάνατο του χειριστή ή άλλων ατόμων.

(Εικ. 3) Προτού χρησιμοποιήσετε το προϊόν, διαβάστε το εγχειρίδιο χρήσης προσεκτικά και βεβαιωθείτε ότι έχετε κατανοήσει τις οδηγίες.

(Εικ. 4) Προσέχετε για αντικείμενα που μπορεί να εκτοξευθούν ή να εξοστρακιστούν.

Προβλεπόμενη χρήση

Χρησιμοποιήστε το προϊόν για την κοπή γρασιδιού. Μην χρησιμοποιείτε το προϊόν για άλλες εργασίες.

(Εικ. 5) Διατηρήστε τα άλλα άτομα και τα ζώα σε απόσταση ασφαλείας από την περιοχή εργασίας.

(Εικ. 6) Προειδοποίηση: Να διατηρείτε τα χέρια και τα πόδια σας μακριά από την περιστρεφόμενη λεπίδα.

(Εικ. 7) Προειδοποίηση: Να διατηρείτε τα χέρια και τα πόδια σας μακριά από κινούμενα μέρη.

(Εικ. 8) Προτού πραγματοποιήσετε οποιαδήποτε εργασία επισκευής ή συντήρησης, σταματήστε τον κινητήρα και αφαιρέστε το καλώδιο ανάφλεξης.

(Εικ. 9) Αυτό το προϊόν συμμορφώνεται με τις ισχύουσες οδηγίες ΕΚ.

(Εικ. 10) Ετικέτα εκπομπών θορύβου στο περιβάλλον σύμφωνα με οδηγίες και κανονισμούς της ΕΕ και του Η.Β. και τη νομοθεσία της Νότιας Νέας Ουαλίας "Κανονισμός για την προστασία των περιβαλλοντικών δράσεων (έλεγχος θορύβου) του 2017". Η εγγυημένη στάθμη ηχητικής ισχύος του προϊόντος καθορίζεται στην ενότητα *Τεχνικά στοιχεία στη σελίδα 98* και στην ετικέτα.

(Εικ. 11) Αυτό το προϊόν συμμορφώνεται με τις ισχύουσες οδηγίες του Η.Β.

(Εικ. 12) Κίνδυνος πυρκαγιάς.

(Εικ. 13) Μην εισπνέετε τις αναθυμιάσεις της εξάτμισης. Οι αναθυμιάσεις της εξάτμισης από τον κινητήρα περιέχουν μονοξειδίο

του άνθρακα, ένα άοσμο, δηλητηριώδες και ιδιαίτερα επικίνδυνο αέριο. Να μην εκκινείτε τον κινητήρα σε εσωτερικούς ή κλειστούς χώρους.

(Εικ. 14) Καυτή επιφάνεια.

(Εικ. 16) Γεμίστε τον κινητήρα με λάδι προτού θέσετε σε λειτουργία το προϊόν.

(Εικ. 17) Διαδικασία εκκίνησης για LB 144: Σπρώξτε τη λαβή του φρένου κινητήρα προς τα κάτω και τραβήξτε τη λαβή του κορδονιού της μίζας.

(Εικ. 18) Διαδικασία εκκίνησης για LB 244E: Πιέστε προς τα κάτω τη λαβή του φρένου κινητήρα και πατήστε το κουμπί START.

(Εικ. 15) Κωδικός με δυνατότητα σάρωσης.

Ζημιά στο προϊόν

Δεν φέρουμε ευθύνη για ζημιές στο προϊόν μας εάν:

- Το προϊόν έχει επισκευαστεί λανθασμένα.
- Το προϊόν έχει επισκευαστεί με εξαρτήματα που δεν προέρχονται από τον κατασκευαστή ή που δεν έχουν εγκριθεί από τον κατασκευαστή.
- Το προϊόν διαθέτει ένα αξεσουάρ που δεν προέρχεται από τον κατασκευαστή ή που δεν έχει εγκριθεί από τον κατασκευαστή.
- Το προϊόν δεν έχει επισκευαστεί σε εγκεκριμένο κέντρο σέρβις ή από εγκεκριμένη αρχή.

Εκτομπές Euro V



ΠΡΟΕΙΔΟΠΟΙΗΣΗ: Οποιαδήποτε μη εξουσιοδοτημένη παρέμβαση στον κινητήρα ακυρώνει την έγκριση τύπου ΕΕ αυτού του προϊόντος.

Περιεχόμενα Άλλα σύμβολα/σήματα που υπάρχουν στο προϊόν αναφέρονται σε απαιτήσεις πιστοποίησης για άλλες εμπορικές περιοχές.

Ασφάλεια

Ορισμοί για την ασφάλεια

Για την επισήμανση ειδικών σημαντικών τμημάτων του εγχειριδίου χρησιμοποιούνται προειδοποιήσεις, συστάσεις προσοχής και σημειώσεις.



ΠΡΟΕΙΔΟΠΟΙΗΣΗ: Χρησιμοποιείται όταν υπάρχει κίνδυνος τραυματισμού ή θανάτου του χειριστή ή άλλων παριστάμενων ατόμων, αν δεν τηρηθούν οι οδηγίες που παρέχονται στο εγχειρίδιο.



ΠΡΟΣΟΧΗ: Χρησιμοποιείται όταν υπάρχει κίνδυνος πρόκλησης ζημιάς στο προϊόν, σε άλλα υλικά ή στον παρακείμενο χώρο, αν δεν τηρηθούν οι οδηγίες που παρέχονται στο εγχειρίδιο.

Περιεχόμενα Χρησιμοποιείται για παροχή περισσότερων πληροφοριών, οι οποίες χρειάζονται σε μια δεδομένη κατάσταση.

Γενικές οδηγίες ασφαλείας



ΠΡΟΕΙΔΟΠΟΙΗΣΗ: Προτού χρησιμοποιήσετε το προϊόν, διαβάστε τις παρακάτω προειδοποιητικές οδηγίες.

- Αυτό το προϊόν είναι επικίνδυνο αν δεν χρησιμοποιηθεί σωστά ή αν δεν είστε προσεκτικοί. Αν δεν τηρείτε τις οδηγίες ασφαλείας, μπορεί να προκληθεί τραυματισμός ή θάνατος.
- Αυτό το προϊόν παράγει ηλεκτρομαγνητικό πεδίο κατά τη λειτουργία του. Το πεδίο αυτό, υπό ορισμένες συνθήκες, μπορεί να προκαλέσει παρεμβολές σε ενεργά ή παθητικά ιατρικά εμφυτεύματα. Για να μειωθεί ο κίνδυνος σοβαρών ή θανατηφόρων τραυματισμών, συνιστούμε στα άτομα με ιατρικά εμφυτεύματα να συμβουλευονται τον θεράποντα ιατρό τους και τον κατασκευαστή του ιατρικού εμφυτεύματος, προτού θέσουν το προϊόν σε λειτουργία.
- Πρέπει πάντα να προσέχετε και να χρησιμοποιείτε την κοινή λογική. Αν δεν είστε βέβαιοι πώς να χειριστείτε το προϊόν σε μια ιδιαίτερη κατάσταση, σταματήστε και μιλήστε με τον αντιπρόσωπο της Husqvarna προτού συνεχίσετε.
- Πρέπει να θυμάστε ότι ο χειριστής θεωρείται υπεύθυνος για ατυχήματα που μπορεί να προκληθούν σε άλλα άτομα ή στην περιουσία τους.

- Να διατηρείτε το προϊόν καθαρό. Βεβαιωθείτε ότι μπορείτε να διαβάσετε καθαρά τις ενδείξεις και τα σύμβολα.
- Μην επιτρέψετε σε κανένα άτομο να χρησιμοποιήσει το προϊόν αν δεν βεβαιωθείτε ότι έχει διαβάσει και κατανοήσει τα περιεχόμενα του εγχειριδίου χρήσης.
- Μην επιτρέψετε σε παιδιά να χρησιμοποιήσουν το προϊόν.
- Μην αφήνετε να πλησιάσουν παιδιά στην περιοχή εργασίας. Πρέπει να είναι παρών ένας υπεύθυνος ενήλικας ανά πάσα στιγμή.
- Μην επιτρέψετε σε άτομα που δεν έχουν διαβάσει τις οδηγίες να χρησιμοποιήσουν το προϊόν.
- Αν το προϊόν χρησιμοποιείται από ένα άτομο με μειωμένη σωματική ή διανοητική ικανότητα, θα πρέπει πάντα να το επιβλέπετε. Πρέπει να είναι παρών ένας υπεύθυνος ενήλικας ανά πάσα στιγμή.
- Μην χρησιμοποιείτε το προϊόν, αν είστε κουρασμένοι, άρρωστοι ή υπό την επήρεια αλκοόλ, ναρκωτικών ή φαρμάκων. Αυτά έχουν αρνητικές συνέπειες στην όραση, την αυτοσυγκέντρωση, τον συντονισμό και την κρίση σας.
- Μην χρησιμοποιείτε το προϊόν εάν έχει υποστεί ζημιά ή δεν λειτουργεί σωστά.
- Μην τροποποιείτε το προϊόν και μην το χρησιμοποιείτε αν είναι εμφανές ότι έχει τροποποιηθεί από άλλους.
- Μην αλλάζετε τη ρύθμιση του χειριστήριου στροφών κινητήρα.

Ασφάλεια στο χώρο εργασίας



ΠΡΟΕΙΔΟΠΟΙΗΣΗ: Προτού χρησιμοποιήσετε το προϊόν, διαβάστε τις παρακάτω προειδοποιητικές οδηγίες.

- Αφαιρέστε αντικείμενα όπως κλαδιά, κλωνάρια και πέτρες από την περιοχή εργασίας πριν χρησιμοποιήσετε το προϊόν.
- Τα αντικείμενα που χτυπούν πάνω στον εξοπλισμό κοπής μπορεί να πεταχτούν και να προκαλέσουν ζημιές σε πρόσωπα και αντικείμενα. Να διατηρείτε τους παρευρισκόμενους και τα ζώα σε απόσταση ασφαλείας από το προϊόν.
- Μην χρησιμοποιείτε ποτέ το προϊόν σε κακές καιρικές συνθήκες, όπως ομίχλη, βροχή, ισχυρό άνεμο, έντονο κρύο και κίνδυνο κεραυνού. Η χρήση του προϊόντος σε κακές καιρικές συνθήκες, σε συνθήκες υγρασίας ή σε υγρές τοποθεσίες είναι εξαιρετικά κούραστική. Οι κακές καιρικές συνθήκες μπορεί να προκαλέσουν επικίνδυνες καταστάσεις, όπως ολισθηρές επιφάνειες.
- Να προσέχετε για πρόσωπα, αντικείμενα και καταστάσεις που μπορεί να αποτρέψουν την ασφαλή λειτουργία του προϊόντος.
- Να προσέχετε για εμπόδια, όπως ρίζες, πέτρες, κλωνάρια, λακκούβες και χαντάκια. Το μακρύ γρασίδι μπορεί να κρύβει εμπόδια.
- Η κοπή χόρτου σε πλαγιές μπορεί να είναι επικίνδυνη. Μην χρησιμοποιείτε το προϊόν σε πλαγιές με κλίση πάνω από 15°.
- Να κατευθύνετε το προϊόν κατά πλάτους στις επιφάνειες με κλίση. Να μην μετακινείστε προς τα πάνω και προς τα κάτω.
- Να είστε ιδιαίτερα προσεκτικοί κοντά σε κρυφές γωνίες και αντικείμενα που εμποδίζουν το οπτικό σας πεδίο.

Ασφάλεια στην εργασία



ΠΡΟΕΙΔΟΠΟΙΗΣΗ: Προτού χρησιμοποιήσετε το προϊόν, διαβάστε τις παρακάτω προειδοποιητικές οδηγίες.

- Να χρησιμοποιείτε το προϊόν μόνο για την κοπή χόρτου γκαζόν. Δεν επιτρέπεται η χρήση του για άλλες εργασίες.
- Χρησιμοποιείτε ατομικό προστατευτικό εξοπλισμό. Ανατρέξτε στην ενότητα *Προσωπικός εξοπλισμός προστασίας στη σελίδα 88*.
- Βεβαιωθείτε ότι γνωρίζετε πώς να σταματήσετε τον κινητήρα γρήγορα σε περίπτωση έκτακτης ανάγκης.
- Μην εκκινείτε ποτέ τον κινητήρα μέσα σε κλειστό χώρο ή κοντά σε εύφλεκτα υλικά. Τα καυσαέρια του κινητήρα είναι ζεστά και ενδέχεται να έχουν σπινθήρες που μπορεί να προκαλέσουν πυρκαγιά.
- Μην λειτουργείτε το προϊόν αν δεν είναι σωστά συνδεδεμένη η λεπίδα και όλα τα καλύμματα. Αν η λεπίδα δεν είναι σωστά συνδεδεμένη, μπορεί να χαλαρώσει και να προκληθεί προσωπικός τραυματισμός.
- Να βεβαιώνετε ότι ο δίσκος δεν χτυπάει αντικείμενα, όπως πέτρες και ρίζες. Αυτό μπορεί να κάνει ζημιά στη λεπίδα και να λυγίσει τον άξονα του κινητήρα. Ο λυγισμένος άξονας προκαλεί ισχυρή δόνηση και πολύ υψηλό κίνδυνο χαλάρωσης της λεπίδας.
- Σε περίπτωση πρόσκρουσης της λεπίδας σε αντικείμενο ή αν διαπιστώσετε κραδασμούς, διακόψτε αμέσως τη λειτουργία του προϊόντος. Αφαιρέστε το καλώδιο ανάφλεξης από το μπουζί. Ελέγξτε το προϊόν για ζημιές. Επισκευάστε τις ζημιές ή αναθέστε την επισκευή σε έναν εξουσιοδοτημένο αντιπρόσωπο σέρβις.
- Μην συνδέετε ποτέ μόνιμα τη λαβή φρένου κινητήρα στη χειρολαβή κατά την εκκίνηση του κινητήρα.
- Τοποθετήστε το προϊόν σε μια σταθερή, επίπεδη επιφάνεια και εκκινήστε το. Να βεβαιώνετε ότι η λεπίδα δεν χτυπάει στο έδαφος ή σε άλλα αντικείμενα.
- Να παραμένετε πάντα πίσω από το προϊόν κατά τη λειτουργία.
- Κατά τη λειτουργία του προϊόντος, θα πρέπει όλοι οι τροχοί να ακουμπούν στο έδαφος και να διατηρείτε και τα 2 χέρια πάνω στη λαβή. Διατηρήστε τα χέρια και τα πόδια σας μακριά από τις περιστρεφόμενες λεπίδες.
- Μην γέρνετε το προϊόν όταν εκκινείται ο κινητήρας.

- Να είστε προσεκτικοί όταν τραβάτε το προϊόν προς τα πίσω.
- Να μην ανασηκώνετε ποτέ το προϊόν όταν εκκινείται ο κινητήρας. Αν πρέπει να ανασηκώσετε το προϊόν, σβήστε πρώτα τον κινητήρα και απουσύνδστε το καλώδιο ανάφλεξης από το μπουζί.
- Να μην περπατάτε προς τα πίσω όταν χρησιμοποιείτε το προϊόν.
- Να σβήνετε τον κινητήρα όταν μετακινήσετε σε περιοχές χωρίς χόρτα, για παράδειγμα μονοπάτια από χαλίκι, πέτρα και άσφαλο.
- Μην τρέχετε με το προϊόν όταν εκκινείται ο κινητήρας. Να περπατάτε πάντα προς τα εμπρός όταν χρησιμοποιείτε το προϊόν.
- Να σβήνετε τον κινητήρα προτού αλλάξετε το ύψος κοπής. Μην προβείτε ποτέ σε τροποποιήσεις με τον κινητήρα σε λειτουργία.
- Μην αφήνετε ποτέ το προϊόν εκτός ορατότητας με τον κινητήρα σε λειτουργία. Να σβήνετε τον κινητήρα και να βεβαιώνετε ότι το παρελκόμενο κοπής δεν περιστρέφεται.

- Μην κάνετε τροποποιήσεις στις συσκευές ασφαλείας.

Για τον έλεγχο του καλύμματος κοπής

Το κάλυμμα κοπής μειώνει τους κραδασμούς στο προϊόν και μειώνεται ο κίνδυνος τραυματισμού από τη λεπίδα.

- Εξετάστε το κάλυμμα κοπής για να βεβαιωθείτε ότι δεν υπάρχουν φθορές όπως ρωγμές.

Μπαταρία (LB 244E)



ΠΡΟΕΙΔΟΠΟΙΗΣΗ: Μια κατεστραμμένη μπαταρία μειώνει την ασφάλεια του προϊόντος. Να χρησιμοποιείτε πάντα μπαταρίες εγκεκριμένες από τον κατασκευαστή.

Η μπαταρία παρέχει ισχύ στην ηλεκτρική εκκίνηση και λειτουργεί ως συσκευή ασφαλείας που αποτρέπει την τυχαία εκκίνηση. Αφαιρέστε την μπαταρία όταν δεν χρησιμοποιείτε το προϊόν και όταν το αφήνετε εκτός του οπτικού σας πεδίου.

Για τον έλεγχο της λαβής φρένου του κινητήρα

Η λαβή του φρένου κινητήρα σταματάει τον κινητήρα. Όταν απελευθερωθεί η λαβή του φρένου κινητήρα, ο κινητήρας σταματάει.

- Εκκινήστε τον κινητήρα και αφήστε τη λαβή του φρένου του κινητήρα. Αν ο κινητήρας δεν σταματά σε 3 δευτερόλεπτα, αναθέστε τη ρύθμιση του φρένου κινητήρα σε έναν εγκεκριμένο αντιπρόσωπο σέρβις Husqvarna. (Εικ. 19)

Σιγαστήρας

Ο σιγαστήρας διατηρεί τα επίπεδα θορύβου στο ελάχιστο και κατευθύνει τις αναθυμιάσεις της εξάτμισης μακριά από τον χειριστή.

Μην χρησιμοποιείτε το προϊόν, αν ο σιγαστήρας λείπει ή έχει καταστραφεί. Ο κατεστραμμένος σιγαστήρας αυξάνει το επίπεδο θορύβου και τον κίνδυνο φωτιάς.



ΠΡΟΕΙΔΟΠΟΙΗΣΗ: Ο σιγαστήρας θερμαίνεται πολύ κατά τη διάρκεια της χρήσης και παραμένει θερμός μετά τη χρήση, καθώς και όταν ο κινητήρας λειτουργεί στο ρελαντί. Προσέχετε όταν κινείστε κοντά σε εύφλεκτα υλικά ή/και αναθυμιάσεις, για να αποφύγετε την εκδήλωση πυρκαγιάς.

Έλεγχος της εξάτμισης (σιγαστήρας)

- Πρέπει να εξετάζετε την εξάτμιση (το σιγαστήρα) τακτικά, για να βεβαιωθείτε ότι είναι σωστά συνδεδεμένη και δεν έχει υποστεί ζημιά.

Οδηγίες ασφαλείας για τη λειτουργία

Προσωπικός εξοπλισμός προστασίας



ΠΡΟΕΙΔΟΠΟΙΗΣΗ: Προτού χρησιμοποιήσετε το προϊόν, διαβάστε τις παρακάτω προειδοποιητικές οδηγίες.

- Ο προσωπικός εξοπλισμός προστασίας δεν μπορεί να εξαλείψει τον κίνδυνο τραυματισμών, ωστόσο μειώνει τη σοβαρότητά τους σε περίπτωση ατυχήματος. Ο αντιπρόσωπος θα σας βοηθήσει να επιλέξετε το σωστό εξοπλισμό.
- Να χρησιμοποιείτε προστατευτικά ακοής, εάν το επίπεδο θορύβου είναι υψηλότερο από 85 dB.
- Να χρησιμοποιείτε αντιολισθητικές μπότες ή παπούτσια βαρέος τύπου. Να μην χρησιμοποιείτε το προϊόν με ανοιχτά παπούτσια ή ξυπόλυτοι.
- Χρησιμοποιήστε χοντρά, μακριά παντελόνια.
- Όταν χρειάζεται, να χρησιμοποιείτε προστατευτικά γάντια, για παράδειγμα κατά την τοποθέτηση, την επιθεώρηση ή τον καθαρισμό του εξοπλισμού κοπής.

Συσκευές ασφαλείας στο προϊόν



ΠΡΟΕΙΔΟΠΟΙΗΣΗ: Προτού χρησιμοποιήσετε το προϊόν, διαβάστε τις παρακάτω προειδοποιητικές οδηγίες.

- Μην χρησιμοποιείτε το προϊόν με συσκευές ασφαλείας που έχουν υποστεί ζημιά ή δεν λειτουργούν σωστά.
- Πρέπει να κάνετε τακτικά έλεγχο των συσκευών ασφαλείας. Εάν οι συσκευές ασφαλείας έχουν υποστεί ζημιά ή δεν λειτουργούν σωστά, απευθυνθείτε στον αντιπρόσωπο σέρβις της Husqvarna.

Ασφάλεια καυσίμου



ΠΡΟΕΙΔΟΠΟΙΗΣΗ: Προτού χρησιμοποιήσετε το προϊόν, διαβάστε τις παρακάτω προειδοποιητικές οδηγίες.

- Μην θέτετε το προϊόν σε λειτουργία, εάν υπάρχει καύσιμο ή λάδι κινητήρα στο προϊόν. Αφαιρέστε το ανεπιθύμητο καύσιμο/λάδι και αφήστε το προϊόν να στεγνώσει.
- Εάν χύσετε καύσιμο στα ρούχα σας, αλλάξτε τα αμέσως.
- Μην χύσετε καύσιμο στο σώμα σας, καθώς μπορεί να προκληθεί τραυματισμός. Αν χύσετε καύσιμο στο σώμα σας, χρησιμοποιήστε σαπούνι και νερό για να αφαιρέσετε το καύσιμο.
- Μην θέσετε το προϊόν σε λειτουργία, εάν ο κινητήρας έχει διαρροή. Εξετάζετε τακτικά τον κινητήρα για διαρροές.
- Να είστε προσεκτικοί με το καύσιμο. Το καύσιμο είναι εύφλεκτο και οι αναθυμιάσεις είναι εκρηκτικές και μπορούν να προκαλέσουν τραυματισμό ή θάνατο.
- Μην εισπνέετε τις αναθυμιάσεις καυσίμου, καθώς μπορεί να προκληθεί τραυματισμός. Βεβαιωθείτε ότι υπάρχει επαρκής ροή αέρα.
- Μην καπνίζετε κοντά στο καύσιμο ή τον κινητήρα.
- Μην τοποθετείτε ζεστά αντικείμενα κοντά στο καύσιμο ή τον κινητήρα.
- Μην προσθέτετε καύσιμο όταν λειτουργεί ο κινητήρας.
- Βεβαιωθείτε ότι ο κινητήρας έχει κρυώσει πριν από τον ανεφοδιασμό.
- Πριν από τον ανεφοδιασμό, ανοίξτε αργά την τάπα του ντεπόζιτου καυσίμου και εκτονώστε προσεκτικά την πίεση.
- Μην προσθέτετε καύσιμο στον κινητήρα σε εσωτερικό χώρο. Η ανεπαρκής ροή αέρα μπορεί να προκαλέσει τραυματισμό ή θάνατο λόγω ασφυξίας ή μονοξειδίου του άνθρακα.
- Να σφίγγετε πλήρως την τάπα του ντεπόζιτου καυσίμου. Αν η τάπα του ντεπόζιτου καυσίμου δεν είναι σφικμένη, υπάρχει κίνδυνος πυρκαγιάς.
- Πριν από την εκκίνηση, μετακινήστε το προϊόν σε απόσταση τουλάχιστον 3 m /10 ft από το σημείο όπου γεμίσατε το ντεπόζιτο.
- Μην γεμίζετε ποτέ εντελώς το ντεπόζιτο καυσίμου. Η υψηλή θερμοκρασία προκαλεί διαστολή του

καυσίμου. Πρέπει να αφήνετε κενό στο πάνω μέρος του ντεπόζιτου καυσίμου.

- Μην αποθηκεύετε ποτέ το προϊόν σε κτίρια όπου υπάρχουν πηγές ανάφλεξης, όπως θερμοσίφωνες, μονάδες θέρμανσης χώρου ή στεγνωτήρια ρούχων, εάν υπάρχει καύσιμο μέσα στο ντεπόζιτο. Αφήστε τον κινητήρα να κρυώσει προτού τον αποθηκεύσετε σε κάποιο κιβώτιο.

Οδηγίες ασφαλείας για τη συντήρηση



ΠΡΟΕΙΔΟΠΟΙΗΣΗ: Προτού χρησιμοποιήσετε το προϊόν, διαβάστε τις παρακάτω προειδοποιητικές οδηγίες.

- Οι αναθυμιάσεις της εξάτμισης από τον κινητήρα περιέχουν μονοξείδιο του άνθρακα, ένα άοσμο, δηλητηριώδες και ιδιαίτερα επικίνδυνο αέριο. Να μην εκκινείτε τον κινητήρα σε εσωτερικούς ή κλειστούς χώρους.
- Πριν πραγματοποιήσετε συντήρηση στο προϊόν, σβήστε τον κινητήρα και αποσυνδέστε το καλώδιο ανάφλεξης από το μπουζί. Στο LB 244E, αφαιρέστε και την μπαταρία.
- Να χρησιμοποιείτε προστατευτικά γάντια όταν κάνετε συντήρηση του εξοπλισμού κοπής. Η λεπίδα είναι πολύ κοφτερή και μπορεί εύκολα να κοπείτε.
- Τα αξεσουάρ και οι τροποποιήσεις στο προϊόν που δεν είναι εγκεκριμένες από τον κατασκευαστή, μπορεί να προκαλέσουν σοβαρό τραυματισμό ή θάνατο. Να μην χρησιμοποιείτε αλλαγές στο προϊόν. Να χρησιμοποιείτε μόνο εξαρτήματα που έχουν εγκριθεί από τον κατασκευαστή.
- Αν η συντήρηση δεν γίνεται σωστά και τακτικά, αυξάνεται ο κίνδυνος τραυματισμού και ζημιάς στο προϊόν.
- Να πραγματοποιείτε μόνο τις εργασίες συντήρησης όπως δίνονται σε αυτό το εγχειρίδιο κατόχου. Όλες οι άλλες εργασίες συντήρησης πρέπει να γίνονται από εγκεκριμένο αντιπρόσωπο σέρβις Husqvarna.
- Να αναθέτετε τη συντήρηση του προϊόντος σε έναν εγκεκριμένο αντιπρόσωπο σέρβις Husqvarna σε τακτά χρονικά διαστήματα.
- Να αντικαθιστάτε τυχόν κατεστραμμένα, φθαρμένα ή σπασμένα εξαρτήματα.

Συναρμολόγηση

Εισαγωγή



ΠΡΟΕΙΔΟΠΟΙΗΣΗ: Προτού συναρμολογήσετε το προϊόν, πρέπει να διαβάσετε και να κατανοήσετε το κεφάλαιο για την ασφάλεια.



ΠΡΟΕΙΔΟΠΟΙΗΣΗ: Αφαιρέστε το καλώδιο του μπουζί από το μπουζί πριν τη συναρμολόγηση του προϊόντος.

Συναρμολόγηση της λαβής

1. Τραβήξτε τη λαβή προς τα πίσω μέχρι να φτάσει στην τελική της θέση. (Εικ. 20)
2. Σφίξτε τις χειρόβιδες της λαβής. (Εικ. 21)

Ρύθμιση ύψους της λαβής

1. Βεβαιωθείτε ότι η ασφάλεια ρύθμισης ύψους βρίσκεται μέσα στην εγκοπή. Πιέστε προς τα κάτω την ασφάλεια ρύθμισης ύψους με το πόδι σας, αν η ασφάλεια ρύθμισης ύψους δεν έχει τοποθετηθεί μέσα στην εγκοπή. (Εικ. 22)

Λειτουργία

Εισαγωγή



ΠΡΟΕΙΔΟΠΟΙΗΣΗ: Προτού χρησιμοποιήσετε το προϊόν, πρέπει να διαβάσετε και να κατανοήσετε το κεφάλαιο για την ασφάλεια.

Husqvarna Connect

Η Husqvarna Connect είναι μια δωρεάν εφαρμογή για τη φορητή συσκευή σας. Η εφαρμογή Husqvarna Connect παρέχει εκτεταμένες λειτουργίες για το προϊόν σας Husqvarna:

- Περισσότερες πληροφορίες για το προϊόν.
- Πληροφορίες και βοήθεια για τα ανταλλακτικά και το σέρβις του προϊόντος.

Για να αρχίσετε να χρησιμοποιείτε το προϊόν Husqvarna Connect

1. Κατεβάστε την εφαρμογή Husqvarna Connect στη φορητή συσκευή σας.
2. Εγγραφείτε στην εφαρμογή Husqvarna Connect.
3. Ακολουθήστε τα βήματα με τις οδηγίες που θα βρείτε στην εφαρμογή Husqvarna Connect για να συνδέσετε και να δηλώσετε το προϊόν.

Προτού χρησιμοποιήσετε το προϊόν

1. Διαβάστε το εγχειρίδιο χρήσης προσεκτικά και βεβαιωθείτε ότι έχετε κατανοήσει τις οδηγίες.
2. Εξετάστε τον εξοπλισμό κοπής για να βεβαιωθείτε ότι είναι σωστά συνδεδεμένος και ρυθμισμένος. Ανατρέξτε στην ενότητα *Για να ελέγξετε τον εξοπλισμό κοπής στη σελίδα 93*.
3. Ελέγξτε τη στάθμη λαδιού και συμπληρώστε λάδι κινητήρα, εάν είναι απαραίτητο. Ανατρέξτε στην ενότητα *Ελεγχος της στάθμης λαδιού στη σελίδα 94*.
4. Γεμίστε το ντεπόζιτο καυσίμου. Ανατρέξτε στην ενότητα *Ανεφοδιασμός με καύσιμο στη σελίδα 90*.

2. Πιέστε προς τα μέσα την ασφάλεια ρύθμισης ύψους με το πόδι σας.
3. Τοποθετήστε τη χειρολαβή στη σωστή θέση και αφήστε την. (Εικ. 23)

Ανεφοδιασμός με καύσιμο

Εάν υπάρχει, χρησιμοποιήστε βενζίνη με καύσιμο χαμηλών εκπομπών/αλκυλικό καύσιμο. Εάν δεν υπάρχει διαθέσιμο καύσιμο χαμηλών εκπομπών/αλκυλικό καύσιμο, χρησιμοποιήστε αμόλυβδη βενζίνη καλής ποιότητας ή μολυβδόχο βενζίνη με αριθμό οκτανίων όχι μικρότερο από 91.



ΠΡΟΣΟΧΗ: Μην χρησιμοποιείτε βενζίνη με αριθμό οκτανίων μικρότερο από 91 RON. Μπορεί να προκληθεί ζημιά στο προϊόν.



ΠΡΟΣΟΧΗ: Να αντικαθιστάτε το φίλτρο καυσίμου μία φορά ετησίως ή συχνότερα, εάν χρειάζεται. Για καινούργια φίλτρα καυσίμου, μπορείτε να απευθυνθείτε στον τοπικό αντιπρόσωπο της Husqvarna.



ΠΡΟΣΟΧΗ: Να σβήνετε πάντα τον κινητήρα πριν γεμίσετε το προϊόν με καύσιμο.



ΠΡΟΣΟΧΗ: Μην χρησιμοποιείτε υγρά εκκίνησης υπό πίεση.

1. Ανοίξτε αργά την τάπα του ντεπόζιτου καυσίμου για να εκτονώσετε την πίεση.
2. Γεμίστε αργά με ένα δοχείο καυσίμων. Αν χύσετε καύσιμο, καθαρίστε το με ένα πανί και αφήστε το καύσιμο που απομένει να στεγνώσει. (Εικ. 24)
3. Καθαρίστε την περιοχή γύρω από την τάπα του ντεπόζιτου καυσίμου.
4. Να σφίγγετε πλήρως την τάπα του ντεπόζιτου καυσίμου. Αν η τάπα του ντεπόζιτου καυσίμου δεν είναι σφιγμένη, υπάρχει κίνδυνος πυρκαγιάς.
5. Πριν από την εκκίνηση, μετακινήστε το προϊόν σε απόσταση τουλάχιστον 3 m /10 ft από το σημείο όπου γεμίσατε το ντεπόζιτο.

Τοποθέτηση του προϊόντος στη θέση λειτουργίας

1. Συναρμολόγηση της λαβής. Ανατρέξτε στην ενότητα *Συναρμολόγηση της λαβής στη σελίδα 90*.
2. Προσαρμόστε το ύψος της λαβής. Ανατρέξτε στην ενότητα *Ρύθμιση ύψους της λαβής στη σελίδα 90*.



ΠΡΟΣΟΧΗ: Βεβαιωθείτε ότι οι ντίζες δεν είναι πολύ τεντωμένες. Σε περίπτωση πολύ υψηλής μηχανικής τάσης, μπορεί να προκληθεί ζημιά στην ντίζα, εάν διπλωθεί η λαβή στη θέση μεταφοράς.



ΠΡΟΕΙΔΟΠΟΙΗΣΗ: Μην χρησιμοποιείτε το προϊόν εάν η λαβή δεν είναι πλήρως αναδιπλωμένη και δεν έχει ρυθμιστεί σε μία από τις κατάλληλες θέσεις ύψους. Ανατρέξτε στην ενότητα *Ρύθμιση ύψους της λαβής στη σελίδα 90*.

Ρύθμιση του ύψους κοπής

Το ύψος κοπής μπορεί να ρυθμιστεί σε 6 διαφορετικές θέσεις.

1. Σβήσιμο του κινητήρα.
2. Μετακινήστε τον μοχλό ύψους κοπής προς τα πίσω για να αυξήσετε το ύψος κοπής. (Εικ. 25)
3. Μετακινήστε τον μοχλό ύψους κοπής προς τα εμπρός για να μειώσετε το ύψος κοπής.



ΠΡΟΣΟΧΗ: Μην ρυθμίζετε το ύψος κοπής πολύ χαμηλά. Οι λεπίδες μπορεί να χτυπήσουν στο έδαφος αν η επιφάνεια του χλοοτάπητα δεν είναι επίπεδη.

Εκκίνηση λειτουργίας του προϊόντος

- Βεβαιωθείτε ότι το καλώδιο ανάφλεξης είναι συνδεδεμένο στο μπουζί.

Χειροκίνητη εκκίνηση (LB 144)

1. Παραμείνετε πίσω από το προϊόν.
2. Κρατήστε τη λαβή του φρένου του κινητήρα επάνω στην πάνω λαβή. (Εικ. 26)
3. Πιάστε τη λαβή του κορδονιού εκκίνησης με το δεξί σας χέρι.
4. Τραβήξτε αργά έξω το κορδόνι της μίζας μέχρι να αισθανθείτε κάποια αντίσταση.
5. Τραβήξτε δυνατά για να εκκινήσει ο κινητήρας.



ΠΡΟΕΙΔΟΠΟΙΗΣΗ: Μην τυλίγετε ποτέ το σχοινί της τροχαλίας του συστήματος εκκίνησης γύρω από το χέρι σας.

Ηλεκτρική εκκίνηση (LB 244E)

1. Βεβαιωθείτε ότι η μπαταρία είναι φορτισμένη. Ανατρέξτε στην ενότητα *Συντήρηση μπαταρίας (LB 244E) στη σελίδα 95*.
2. Συνδέστε την μπαταρία στον κινητήρα. Όταν η μπαταρία ασφαλίζει στη θέση της, ακούγεται ένα χαρακτηριστικό "κλικ". (Εικ. 27)
3. Παραμείνετε πίσω από το προϊόν και κρατήστε τη λαβή του φρένου του κινητήρα (Α) προς την επάνω λαβή. (Εικ. 28)
4. Πατήστε παρατεταμένα το κουμπί ηλεκτρικής εκκίνησης (Β) για 3-5 δευτερόλεπτα. Ο κινητήρας εκκινεί.

Περιεχόμενα Εάν ο κινητήρας δεν εκκινεί, περιμένετε 1 λεπτό και προσπαθήστε να θέσετε ξανά το προϊόν σε λειτουργία.

Διακοπή λειτουργίας του προϊόντος

- Για να διακόψετε τη λειτουργία του κινητήρα, απελευθερώστε τη λαβή του φρένου κινητήρα.

Αφαίρεση της μπαταρίας (LB 244E)

Για να αποτρέψετε τυχόν ακούσια εκκίνηση του κινητήρα, αφαιρέστε την μπαταρία όταν το προϊόν δεν είναι σε λειτουργία.

- Πατήστε το κουμπί ασφάλισης (Α) και τραβήξτε την μπαταρία απευθείας προς τα έξω. (Εικ. 29)

Για ένα καλό αποτέλεσμα

- Να χρησιμοποιείτε πάντα μια ακονισμένη λεπίδα. Η στομωμένη λεπίδα δίνει ένα ακονισμένο αποτέλεσμα και η επιφάνεια κοπής του γρασιδιού γίνεται κίτρινη. Επίσης, η ακονισμένη λεπίδα χρησιμοποιεί λιγότερη ενέργεια από μια στομωμένη λεπίδα.
- Να μην κόβετε ποτέ πάνω από το 1/3 του μήκους του γρασιδιού. Να κόβετε πρώτα με το ύψος κοπής ρυθμισμένο σε υψηλό. Εξετάστε το αποτέλεσμα και χαμηλώστε το ύψος κοπής σε κατάλληλο επίπεδο. Αν το γρασίδι είναι πολύ μακρύ, οδηγήστε αργά και κόψτε 2 φορές, αν είναι απαραίτητο.
- Να κόβετε κάθε φορά σε διαφορετικές κατευθύνσεις για να αποφεύγετε τις ρίγες στο γκαζόν.
- Διατηρείτε το κάλυμμα κοπής καθαρό. Η συσσώρευση γρασιδιού και ακαθαρσιών στην εσωτερική πλευρά του καλύμματος κοπής μπορεί να μειώσει το αποτέλεσμα κοπής. Ανατρέξτε στην ενότητα *Για να καθαρίσετε την εσωτερική επιφάνεια του καλύμματος κοπής στη σελίδα 93*.

Συντήρηση

Εισαγωγή



ΠΡΟΕΙΔΟΠΟΙΗΣΗ: Προτού εκτελέσετε εργασίες συντήρησης, πρέπει να διαβάσετε και να κατανοήσετε το κεφάλαιο για την ασφάλεια.

Για όλες τις εργασίες συντήρησης και επισκευής στο προϊόν, είναι απαραίτητη ειδική εκπαίδευση. Μπορούμε να εγγυηθούμε για τη διαθεσιμότητα των επαγγελματικών επισκευών και τη συντήρηση. Αν ο αντιπρόσωπός σας δεν είναι αντιπρόσωπος σέρβις, μιλήστε του για πληροφορίες σχετικά με τον πλησιέστερο αντιπρόσωπο σέρβις.

Για λεπτομερέστερες πληροφορίες, ανατρέξτε στη σελίδα www.husqvarna.com.

Πρόγραμμα συντήρησης



ΠΡΟΣΟΧΗ: Βεβαιωθείτε ότι το φίλτρο αέρα είναι στραμμένο προς τα πάνω και όχι προς το έδαφος όταν γέρνετε το προϊόν. Κίνδυνος ζημιάς στον κινητήρα.



ΠΡΟΣΟΧΗ: Για τα μοντέλα με ηλεκτρική εκκίνηση, να αφαιρείτε πάντα την μπαταρία πριν πραγματοποιήσετε εργασίες συντήρησης, επισκευής ή καθαρισμού του προϊόντος.

Τα διαστήματα συντήρησης υπολογίζονται με βάση την καθημερινή χρήση του προϊόντος. Τα διαστήματα αλλάζουν αν το προϊόν δεν χρησιμοποιείται καθημερινά.

Για τις εργασίες συντήρησης που προσδιορίζονται με αστερίσκο (*), ανατρέξτε στις οδηγίες στην ενότητα *Συσκευές ασφαλείας στο προϊόν στη σελίδα 88*.

Συντήρηση	Καθημερινά	Κάθε μήνα	Σε κάθε σεζόν
Εκτέλεση γενικής επιθεώρησης	X		
Έλεγχος της στάθμης λαδιού	X		
Αλλαγή λαδιού (την πρώτη φορά μετά από 5 ώρες χρήσης, έπειτα μετά από κάθε 50 ώρες χρήσης) ³⁶			X
Καθαρισμός του προϊόντος	X		
Καθαρίστε την περιοχή γύρω από την ασφάλεια ρύθμισης ύψους της λαβής	X		
Έλεγχος του εξοπλισμού κοπής	X		
Έλεγχος του καλύμματος κοπής *	X		
Έλεγχος λαβής του φρένου κινητήρα *	X		
Έλεγχος της εξάτμισης (σιγαστήρα) *		X	
Ελέγξτε το μπουζί. Καθαρίστε ή αντικαταστήστε το μπουζί, εάν χρειάζεται			X
Έλεγχος του φίλτρου αέρα	X		
Καθαρισμός του φίλτρου αέρα ³⁷		X	

³⁶ Εάν το προϊόν λειτουργεί με βαρύ φορτίο ή σε υψηλές θερμοκρασίες περιβάλλοντος, πρέπει να αλλάζετε το λάδι κινητήρα κάθε 25 ώρες.

³⁷ Καθαρίζετε συχνότερα σε συνθήκες με σκόνη ή όταν υπάρχουν αερομεταφερόμενα σωματίδια. Αντικαταστήστε το φίλτρο αέρα, εάν είναι πολύ βρώμικο.

Συντήρηση	Καθημερινά	Κάθε μήνα	Σε κάθε σε-ζόν
Αντικαταστήστε το φίλτρο αέρα			X
Έλεγχος του συστήματος καυσίμου			X
Καθαρίστε τα πτερύγια φτερωτής (ανεμιστήρα) ψύξης του κυλίνδρου		X	

Εκτέλεση γενικής επιθεώρησης

- Βεβαιωθείτε ότι όλα τα παζιμάδια και οι βίδες πάνω στο προϊόν είναι σφιγμένα σωστά.

Για να καθαρίσετε εξωτερικά το προϊόν

- Χρησιμοποιήστε μια βούρτσα για να αφαιρέσετε φύλλα, γρασιδί και ακαθαρσίες.
- Βεβαιωθείτε ότι η εισαγωγή αέρα στο επάνω μέρος του κινητήρα δεν είναι φραγμένη.
- Μην χρησιμοποιείτε σύστημα πλύσης με υψηλή πίεση για να καθαρίσετε το προϊόν.
- Αν χρησιμοποιείτε νερό για να καθαρίσετε το προϊόν, μην ρίχνετε νερό απευθείας επάνω στον κινητήρα.

Καθαρισμός περιοχής γύρω από την ασφάλεια ρύθμισης ύψους λαβής

- Χρησιμοποιήστε μια βούρτσα για να αφαιρέσετε φύλλα, γρασιδί και ακαθαρσίες. (Εικ. 30)

Για να καθαρίσετε την εσωτερική επιφάνεια του καλύμματος κοπής

- Αδειάστε το ντεπόζιτο καυσίμου.
- Γείρετε το προϊόν. Βεβαιωθείτε ότι το μπουζί δείχνει προς τα επάνω.



ΠΡΟΣΟΧΗ: Αν το προϊόν τοποθετηθεί με το φίλτρο αέρα προς τα κάτω, ο κινητήρας μπορεί να υποστεί ζημιά.

- Ξεπλύνετε την εσωτερική επιφάνεια του καλύμματος κοπής ριχνοντας νερό προς τα κάτω με ένα λάστιχο.

Για να ελέγξετε τον εξοπλισμό κοπής



ΠΡΟΕΙΔΟΠΟΙΗΣΗ: Για να αποτρέψετε ακούσια εκκίνηση, αφαιρέστε το καλώδιο ανάφλεξης από το μπουζί.



ΠΡΟΕΙΔΟΠΟΙΗΣΗ: Να χρησιμοποιείτε προστατευτικά γάντια όταν κάνετε συντήρηση του εξοπλισμού κοπής. Η λεπίδα είναι πολύ κοφτερή και μπορεί εύκολα να κοπείτε.

- Ελέγξτε τον εξοπλισμό κοπής για ζημιές ή ρωγμές. Πρέπει πάντα να αντικαθιστάτε τον εξοπλισμό κοπής, αν έχει υποστεί ζημιά.
- Κοιτάξτε τη λεπίδα για να δείτε εάν είναι φθαρμένη ή στομωμένη.

Περιεχόμενα Είναι απαραίτητο να ζυγοσταθμιστεί η λεπίδα μετά το ακόνισμα. Να αναθέτετε το ακόνισμα, την αντικατάσταση και τη ζυγοστάθμιση της λεπίδας σε ένα κέντρο σέρβις. Αν χτυπήσετε κάποιο εμπόδιο και σταματήσει το προϊόν, αντικαταστήστε τη φθαρμένη λεπίδα. Το κέντρο σέρβις θα αξιολογήσει αν η λεπίδα μπορεί να ακονιστεί ή πρέπει να αντικατασταθεί.

Αντικατάσταση της λεπίδας

- Ασφαλίστε τη λεπίδα με έναν ξύλινο τάκο. (Εικ. 31)
- Αφαιρέστε τη βίδα της λεπίδας και την ελατηριωτή ροδέλα.
- Αφαιρέστε τη λεπίδα.
- Εξετάστε την υποστήριξη και τη βίδα της λεπίδας για να δείτε εάν υπάρχουν φθορές.
- Εξετάστε τον άξονα του κινητήρα για να βεβαιωθείτε ότι δεν είναι λυγισμένος.
- Όταν συνδέετε μια καινούργια λεπίδα, στρέψτε τα άκρα της λεπίδας που σχηματίζουν γωνία προς την κατεύθυνση του καλύμματος κοπής. (Εικ. 32)
- Βεβαιωθείτε ότι η λεπίδα είναι ευθυγραμμισμένη με το κέντρο του άξονα του κινητήρα.
- Ασφαλίστε τη λεπίδα με έναν ξύλινο τάκο. Τοποθετήστε τη ροδέλα του ελατηρίου και σφίξτε τη βίδα και τη ροδέλα με ροπή 44-46 Nm. (Εικ. 33)
- Περιστρέψτε τη λάμα με το χέρι και βεβαιωθείτε ότι μπορεί να περιστραφεί χωρίς προβλήματα.



ΠΡΟΕΙΔΟΠΟΙΗΣΗ:

Χρησιμοποιείτε γάντια βαρέος τύπου. Η λεπίδα είναι πολύ κοφτερή και μπορεί εύκολα να κοπείτε.

- Εκκινήστε το προϊόν για να δοκιμάσετε τη λεπίδα. Αν η λεπίδα δεν είναι σωστά συνδεδεμένη, θα υπάρχουν κραδασμοί στο προϊόν ή το αποτέλεσμα κοπής δεν θα είναι ικανοποιητικό.

Έλεγχος της στάθμης λαδιού



ΠΡΟΣΟΧΗ: Το πολύ χαμηλό επίπεδο λαδιού μπορεί να προκαλέσει βλάβη στον κινητήρα. Να κάνετε έλεγχο της στάθμης λαδιού πριν από την εκκίνηση του προϊόντος.

1. Τοποθετήστε το προϊόν σε οριζόντιο έδαφος.
2. Αφαιρέστε το καπάκι του νεπεόζιτου λαδιού και τον συνδεδεμένο δείκτη στάθμης.
3. Καθαρίστε το λάδι από τον δείκτη στάθμης.
4. Πιέστε τον δείκτη στάθμης εντελώς μέσα στο νεπεόζιτο λαδιού.
 - a) Μην τοποθετήσετε την τάπα του νεπεόζιτου λαδιού LB 144.
 - b) Τοποθετήστε την τάπα του νεπεόζιτου λαδιού LB 244E.
5. Αφαιρέστε την τάπα νεπεόζιτου λαδιού και τον δείκτη στάθμης λαδιού.
6. Εξετάστε τη στάθμη λαδιού στον δείκτη στάθμης.
7. Αν η στάθμη του λαδιού είναι χαμηλή, συμπληρώστε με λάδι κινητήρα και ελέγξτε ξανά τη στάθμη λαδιού. (Εικ. 34)

Περιεχόμενα Χρησιμοποιήστε ένα χωνί για να αποφύγετε τη διαρροή.

8. Τοποθετήστε την τάπα του νεπεόζιτου λαδιού, όταν η στάθμη του λαδιού είναι η σωστή.

Αντικατάσταση του λαδιού του κινητήρα



ΠΡΟΕΙΔΟΠΟΙΗΣΗ: Το λάδι του κινητήρα είναι πολύ καυτό αμέσως μετά το σβήσιμο του κινητήρα. Αφήστε τον κινητήρα να κρυώσει προτού αδειάσετε το λάδι του κινητήρα. Αν πέσει λάδι κινητήρα στο δέρμα σας, καθαρίστε το με σαπούνι και νερό.

(Εικ. 35)

1. Λειτουργήστε το προϊόν μέχρι να αδειάσει το νεπεόζιτο καυσίμου.
2. Αφαιρέστε το καλώδιο της μίζας από το μπουζί.
3. Αφαιρέστε το καπάκι του νεπεόζιτου λαδιού και τον συνδεδεμένο δείκτη στάθμης.
4. Τοποθετήστε ένα δοχείο κάτω από το προϊόν για να συλλέξετε το λάδι του κινητήρα.
5. Γείρετε το προϊόν ή αποστραγγίστε το λάδι κινητήρα από το νεπεόζιτο λαδιού με μια αντλία λαδιού (αξεσουάρ).
6. Γεμίστε με καινούργιο λάδι κινητήρα που έχει τον τύπο που προτείνεται στο *Τεχνικά στοιχεία στη σελίδα 98*.

7. Ελέγξτε τη στάθμη λαδιού. Ανατρέξτε στην ενότητα *Έλεγχος της στάθμης λαδιού στη σελίδα 94*.
8. Τοποθετήστε την τάπα του νεπεόζιτου λαδιού, όταν η στάθμη του λαδιού είναι η σωστή.

Φίλτρο αέρα

Αν το φίλτρο αέρα είναι βρώμικο, ο κινητήρας μπορεί να υποστεί ζημιά ή να μην λειτουργεί σωστά. Σε συνθήκες με πολλή σκόνη, πρέπει να εκτελείτε τη συντήρηση του φίλτρου αέρα πιο συχνά. Ανατρέξτε στην ενότητα *Πρόγραμμα συντήρησης στη σελίδα 92* για να μάθετε πότε πρέπει να αντικαθιστάτε το φίλτρο αέρα.

Περιεχόμενα Πρέπει πάντα να αντικαθιστάτε το φίλτρο αέρα, εάν έχει υποστεί ζημιά.

Αφαίρεση και τοποθέτηση του φίλτρου αέρα (LB 244E)



ΠΡΟΕΙΔΟΠΟΙΗΣΗ: Πρέπει να χρησιμοποιείτε προστατευτικά γάντια.

1. Πιέστε τα κλιπ στο κάλυμμα του φίλτρου αέρα.
2. Αφαιρέστε προσεκτικά το κάλυμμα του φίλτρου αέρα (A) από τον κινητήρα.
3. Αφαιρέστε το φίλτρο αέρα (B). (Εικ. 36)
4. Ελέγξτε το φίλτρο αέρα για ζημιές. Αντικαταστήστε το φίλτρο αέρα, εάν έχει υποστεί ζημιά.
5. Καθαρίστε και ελέγξτε το φίλτρο αέρα. Ανατρέξτε στην ενότητα *Καθαρισμός του φίλτρου αέρα (LB 244E) στη σελίδα 94*.
6. Για την τοποθέτηση, ακολουθήστε την αντίστροφη σειρά.

Καθαρισμός του φίλτρου αέρα (LB 244E)

Αν το φίλτρο αέρα είναι βρώμικο, ο κινητήρας μπορεί να υποστεί ζημιά ή να μην λειτουργεί σωστά. Σε συνθήκες με πολλή σκόνη, πρέπει να εκτελείτε τη συντήρηση του φίλτρου αέρα πιο συχνά.

Ανατρέξτε στην ενότητα *Πρόγραμμα συντήρησης στη σελίδα 92* για να μάθετε πότε πρέπει να αντικαθιστάτε το φίλτρο αέρα.

1. Αφαιρέστε το κάλυμμα του φίλτρου αέρα και το φίλτρο.
2. Καθαρίστε το φίλτρο κτυπώντας το σε μια επίπεδη επιφάνεια. Μην χρησιμοποιείτε διαλυτικό με πετρέλαιο, κροζίνη ή πεπιεσμένο αέρα για τον καθαρισμό του φίλτρου.

Περιεχόμενα Τα φίλτρα αέρα που βρίσκονται σε λειτουργία για μεγάλο χρονικό διάστημα δεν μπορούν να καθαριστούν εντελώς. Να αντικαθιστάτε το φίλτρο αέρα σε τακτά διαστήματα. Τα φίλτρα αέρα που έχουν υποστεί ζημιά, θα πρέπει πάντα να αντικαθίσταται.

- Κατά τη συναρμολόγηση του φίλτρου αέρα, βεβαιωθείτε ότι έχει σφραγιστεί πλήρως στο στηρίγμα φίλτρου.

Καθαρισμός αφρώδους πλαστικού φίλτρου (LB 144)



ΠΡΟΣΟΧΗ: Μην εκκινείτε τον κινητήρα εάν δεν είναι τοποθετημένα τα φίλτρα αέρα. Η φθορά του κινητήρα αυξάνεται εάν ο αέρας είναι ακάθατος.

- Αφαιρέστε το κάλυμμα του φίλτρου αέρα (A). (Εικ. 37)
- Αφαιρέστε τα αφρώδη πλαστικά φίλτρα (B).



ΠΡΟΣΟΧΗ: Εξετάστε τα αφρώδη πλαστικά φίλτρα για ζημιά ή φθορά. Αντικαταστήστε όλα τα κατεστραμμένα αφρώδη πλαστικά φίλτρα.

- Καθαρίστε τα αφρώδη πλαστικά φίλτρα με σαπούνι και νερό.
- Ξεπλύνετε τα αφρώδη πλαστικά φίλτρα με καθαρό νερό.
- Στραγγίστε το νερό από τα αφρώδη πλαστικά φίλτρα και αφήστε τα να στεγνώσουν.



ΠΡΟΣΟΧΗ: Μην χρησιμοποιείτε συμπιεσμένο αέρα. Ενδέχεται να προκληθεί ζημιά στο αφρώδες πλαστικό φίλτρο.

- Λιπάνετε τα αφρώδη πλαστικά φίλτρα με λάδι κινητήρα.
- Πιέστε ένα καθαρό πανί πάνω στο αφρώδες πλαστικό φίλτρο για να αφαιρέσετε το ανεπιθύμητο λάδι.
- Εγκαταστήστε τα αφρώδη πλαστικά φίλτρα. Βεβαιωθείτε ότι τα αφρώδη πλαστικά φίλτρα εφαρμόζουν πλήρως στη βάση του φίλτρου αέρα.
- Τοποθετήστε το κάλυμμα φίλτρου αέρα.

Συντήρηση μπαταρίας (LB 244E)

Η μπαταρία δεν απαιτεί συντήρηση. Η συντήρηση της μπαταρίας πρέπει να πραγματοποιείται μόνο από εγκεκριμένο κέντρο σέρβις, αν είναι απαραίτητη.

Χρήση της μπαταρίας για πρώτη φορά (LB 244E)



ΠΡΟΣΟΧΗ: Μην αφήνετε την μπαταρία να αδειάσει. Εάν η μπαταρία αδειάσει, μπορεί να υποστεί ζημιά.

Πρέπει να φορτίσετε την μπαταρία πριν από την πρώτη λειτουργία.

- Συνδέστε τον φορτιστή της μπαταρίας στην μπαταρία, βλ. *Φόρτιση της μπαταρίας (LB 244E) στη σελίδα 95.*
- Περιμένετε μέχρι να ανάψει τουλάχιστον 1 πράσινη λυχνία LED.
- Συνδέστε την μπαταρία στον κινητήρα, βλ. *Ηλεκτρική εκκίνηση (LB 244E) στη σελίδα 91.*

Φόρτιση της μπαταρίας (LB 244E)

Ανάψουν μόνο 1 ή καμία ενδεικτική λυχνία στην μπαταρία, αυτό σημαίνει ότι χρειάζεται φόρτιση. Η άδεια μπαταρία θα φορτίσει πλήρως σε 2 ώρες. Αν τη φορτίσετε για λιγότερη ώρα, δεν θα πάθει κάποια ζημιά.

- Συνδέστε τον φορτιστή μπαταρίας στην μπαταρία. (Εικ. 38)
- Συνδέστε τον φορτιστή μπαταρίας σε μια πρίζα 100-240V, 50-60Hz.
- Αφαιρέστε πρώτα τον φορτιστή από την πρίζα και, στη συνέχεια, αφαιρέστε τον φορτιστή από την μπαταρία.

Κατάσταση φόρτισης της μπαταρίας

Ενδειξη LED στην μπαταρία	Κατάσταση
Η λυχνία LED 1 αναβοσβήνει με κόκκινο χρώμα.	1%-9%
Η λυχνία LED 1 είναι σταθερά αναμμένη με κόκκινο χρώμα.	10%-32%
Η λυχνία LED 1 είναι πράσινη και η λυχνία LED 2 είναι κόκκινη.	33%-54%
Οι λυχνίες LED 1 και 2 είναι πράσινες και η λυχνία LED 3 είναι κόκκινη.	55%-77%
Οι λυχνίες LED 1, 2 και 3 είναι πράσινες και η λυχνία LED 4 είναι κόκκινη.	78%-100%

Ενδεικτική λυχνία στον φορτιστή μπαταρίας	Κατάσταση
Σταθερό κόκκινο φως	Η μπαταρία φορτίζει.
Σταθερό πράσινο φως	Η μπαταρία είναι πλήρως φορτισμένη.

Εκτέλεση ελέγχου μπουζί



ΠΡΟΣΟΧΗ: Χρησιμοποιείτε πάντα τον συνιστώμενο τύπο μπουζί. Η χρήση λάθος τύπου μπουζί μπορεί να προκαλέσει ζημιά στο προϊόν.

- Ελέγξτε το μπουζί, αν ο κινητήρας έχει χαμηλή ισχύ, δεν εκκινεί εύκολα ή δεν λειτουργεί σωστά στο ρελαντί.

- Για να μειώσετε τον κίνδυνο συσσώρευσης ανεπιθύμητων υλικών στα ηλεκτρόδια του μπουζι, ακολουθήστε τις παρακάτω οδηγίες:
 - α) Βεβαιωθείτε ότι οι στροφές ανά λεπτό ρελαντί έχουν ρυθμιστεί σωστά.
 - β) Βεβαιωθείτε ότι το μίγμα καυσίμου είναι σωστό.
 - γ) Βεβαιωθείτε ότι το φίλτρο αέρα είναι καθαρό.
- Αν το μπουζι είναι βρόμικο, καθαρίστε το και βεβαιωθείτε ότι το διάκενο του ηλεκτροδίου είναι σωστό, ανατρέξτε στην ενότητα *Τεχνικά στοιχεία στη σελίδα 98*. (Εικ. 39)
- Αν χρειάζεται, αντικαταστήστε το μπουζι.

4. Αφαιρέστε τον εύκαμπο σωλήνα καυσίμου από το καρμπυρατέρ.
5. Τοποθετήστε τον εύκαμπο σωλήνα καυσίμου στο δοχείο και αφαιρέστε τα κλιπ των σωλήνων.
6. Γείρετε το προϊόν και αποστραγγίστε το καύσιμο μέσα στο δοχείο.

Αντικατάσταση του φίλτρου καυσίμου



ΠΡΟΕΙΔΟΠΟΙΗΣΗ: Πρέπει να χρησιμοποιείτε προστατευτικά γάντια.

1. Αποστραγγίστε το νεπεόζιτο καυσίμου.
2. Απομακρύνετε το κλιπ σωλήνα από το νεπεόζιτο καυσίμου. (Εικ. 40)
3. Αφαιρέστε τον σωλήνα καυσίμου από το νεπεόζιτο καυσίμου. Μπορεί να διαρρέυσει μια μικρή ποσότητα καυσίμου. (Εικ. 41)
4. Αφαιρέστε το φίλτρο καυσίμου από το νεπεόζιτο καυσίμου. (Εικ. 42)
5. Τοποθετήστε ένα νέο φίλτρο καυσίμου στο νεπεόζιτο καυσίμου.
6. Συνδέστε τον σωλήνα καυσίμου στο ρεζερβουάρ καυσίμου.
7. Τοποθετήστε το κλιπ σωλήνα στη θέση του στο ρεζερβουάρ καυσίμου.

Για να ελέγξετε το σύστημα καυσίμου

- Ελέγξτε την τάπα του νεπεόζιτου καυσίμου και την τσιμούχα στεγανότητας της τάπας του νεπεόζιτου καυσίμου για να βεβαιωθείτε ότι δεν υπάρχουν φθορές.
- Ελέγξτε το σωλήνα καυσίμου για να βεβαιωθείτε ότι δεν υπάρχουν διαρροές. Αν ο σωλήνας καυσίμου έχει υποστεί φθορά, αναθέστε την αντικατάστασή του σε έναν αντιπρόσωπο σέρβις.

Αποστράγγιση του νεπεόζιτου καυσίμου

1. Τοποθετήστε ένα δοχείο κάτω από το νεπεόζιτο καυσίμου.
2. Αφαιρέστε την τάπα νεπεόζιτου καυσίμου.
3. Πιέστε τα κλιπ σωλήνα στον εύκαμπο σωλήνα καυσίμου προς το καρμπυρατέρ.

Αντιμετώπιση προβλημάτων κινητήρα

Πρόβλημα	Πιθανή αιτία	Λύση
Ο κινητήρας δεν εκκινεί.	Το καλώδιο ανάφλεξης δεν έχει συνδεθεί σωστά.	Συνδέστε το καλώδιο ανάφλεξης στο μπουζι.
	Το νεπεόζιτο καυσίμου έχει αδειάσει.	Γεμίστε το νεπεόζιτο καυσίμου με τον σωστό τύπο καυσίμου.
	Το καύσιμο είναι παλιό.	Αδειάστε το νεπεόζιτο καυσίμου και το καρμπυρατέρ. Ανεφοδιάστε το προϊόν με νέα βενζίνη.
	Υπάρχουν σκουπιδάκια στο καρμπυρατέρ ή στη γραμμή καυσίμου.	Καθαρίστε το καρμπυρατέρ ή/και τη γραμμή καυσίμου.
	Το μπουζι είναι κατεστραμμένο.	Ρυθμίστε το διάκενο του ηλεκτροδίου, καθαρίστε ή αντικαταστήστε το μπουζι.
	Υπάρχει καύσιμο στο μπουζι.	Καθαρίστε το μπουζι.
Ο κινητήρας δεν σβήνει.	Ο μηχανισμός διακοπής λειτουργίας δεν λειτουργεί σωστά.	Αφαιρέστε το καλώδιο ανάφλεξης από το μπουζι. Αναθέστε την επισκευή του προϊόντος σε έναν εγκεκριμένο αντιπρόσωπο σέρβις.

Πρόβλημα	Πιθανή αιτία	Λύση
Ο κινητήρας δεν λειτουργεί ομαλά.	Το καλώδιο ανάφλεξης δεν έχει συνδεθεί σωστά.	Συνδέστε το καλώδιο ανάφλεξης στο μπουζί.
	Υπάρχουν βρομιές στη γραμμή καυσίμου ή το καύσιμο έχει λήξει.	Καθαρίστε τη γραμμή καυσίμου. Γεμίστε το ντεπόζιτο καυσίμου με καινούργιο καύσιμο σωστού τύπου.
	Υπάρχει εμπόδιο στην τάπα του ντεπόζιτου καυσίμου.	Καθαρίστε την τάπα του ντεπόζιτου καυσίμου.
	Υπάρχει νερό ή βρομιά στο σύστημα καυσίμου.	Αποστραγγίστε το ντεπόζιτο καυσίμου. Γεμίστε το ντεπόζιτο καυσίμου με καινούργιο καύσιμο σωστού τύπου.
	Το φίλτρο αέρα είναι βρόμικο.	Καθαρίστε το φίλτρο αέρα.
	Πρέπει να γίνει ρύθμιση του καρμπυρατέρ.	Αναθέστε τη ρύθμιση του καρμπυρατέρ σε έναν αντιπρόσωπο σέρβις.
Ο κινητήρας υπερθερμαίνεται.	Η στάθμη λαδιού κινητήρα είναι πολύ χαμηλή.	Γεμίστε με λάδι κινητήρα.
	Η παροχή αέρα δεν είναι επαρκής.	Καθαρίστε το φίλτρο αέρα και το περίβλημα του φίλτρου αέρα.
	Πρέπει να γίνει ρύθμιση του καρμπυρατέρ.	Αναθέστε τη ρύθμιση του καρμπυρατέρ σε έναν αντιπρόσωπο σέρβις.
Παρουσιάζεται αφλογιστία στον κινητήρα όταν λειτουργεί με υψηλές στροφές.	Το διάκενο του ηλεκτροδίου στο μπουζί είναι πολύ μικρό.	Ρυθμίστε το διάκενο αέρα.
Ασυνήθιστοι θόρυβοι από τον κινητήρα κατά τη διάρκεια λειτουργίας με κανονικό φορτίο.	Λάθος τύπος βενζίνης.	Αδειάστε το ντεπόζιτο καυσίμου και το καρμπυρατέρ. Ανεφοδιάστε το προϊόν με νέα βενζίνη. Ανατρέξτε στην ενότητα <i>Για να ελέγξετε το σύστημα καυσίμου στη σελίδα 96</i> . Εάν το πρόβλημα συνεχίζει να εμφανίζεται, επικοινωνήστε με τον τοπικό αντιπρόσωπο σέρβις.
Ο κινητήρας δεν λειτουργεί ομαλά στο ρελαντί.	Το μπουζί είναι βρόμικο, κατεστραμμένο ή το διάκενο του ηλεκτροδίου είναι πολύ μεγάλο.	Ρυθμίστε το διάκενο ηλεκτροδίου ή αντικαταστήστε το μπουζί.
	Πρέπει να γίνει ρύθμιση του καρμπυρατέρ.	Ρυθμίστε το καρμπυρατέρ.
	Το φίλτρο αέρα είναι βρόμικο.	Καθαρίστε το φίλτρο αέρα.

Μεταφορά, αποθήκευση και απόρριψη

Μεταφορά και αποθήκευση

- Για την αποθήκευση και τη μεταφορά του προϊόντος και του καυσίμου, βεβαιωθείτε ότι δεν υπάρχουν διαρροές ή αναθυμιάσεις. Τυχόν σπινθήρες ή ακάλυπτες φλόγες, για παράδειγμα από ηλεκτρικές συσκευές ή λέβητες, μπορεί να προκαλέσουν πυρκαγιά.
- Να χρησιμοποιείτε πάντα εγκεκριμένα δοχεία για την αποθήκευση και τη μεταφορά των καυσίμων.
- Να αδειάζετε το ντεπόζιτο καυσίμου πριν την αποθήκευση του προϊόντος για μεγάλο χρονικό διάστημα. Να απορρίπτετε το καύσιμο σε μια κατάλληλη τοποθεσία απόρριψης
- Να στερεώνετε με ασφάλεια το προϊόν κατά τη μεταφορά για να αποφύγετε βλάβες και ατυχήματα.

- Να διατηρείτε το προϊόν σε μια κλειδωμένη περιοχή για να αποτρέψετε την πρόσβαση σε παιδιά ή μη εγκεκριμένα άτομα.
- Να διατηρείτε το προϊόν σε μια περιοχή στεγνή και χωρίς πάγο.

Ρύθμιση του προϊόντος στη θέση μεταφοράς

1. Χαλαρώστε τις χειρόβιδες της λαβής. (Εικ. 43)
2. Διπλώστε τη λαβή προς τα εμπρός μέχρι να φτάσει στην τελική της θέση. (Εικ. 44)

Μεταφορά και αποθήκευση της μπαταρίας και του φορτιστή

- Μην αφαιρείτε την μπαταρία μέχρι να ακινητοποιηθεί και να κρυώσει το προϊόν. Για να αφαιρέσετε την μπαταρία, πατήστε παρατεταμένα το κουμπί στο επάνω μέρος της μπαταρίας και αφαιρέστε την από την υποδοχή της.
- Εάν η διάρκεια αποθήκευσης είναι μεγαλύτερη από 30 ημέρες, φορτίστε την μπαταρία μέχρι να ανάψει με περισσότερες από 3 πράσινες λυχνίες.
- Φορτίστε την μπαταρία μία φορά κάθε 3 μήνες, για να μην προκληθεί ζημιά στην μπαταρία.
- Η μπαταρία και ο φορτιστής πρέπει να φυλάσσονται σε θερμοκρασία μεταξύ 5 °C και 40 °C. Οι υψηλότερες θερμοκρασίες ή οι πηγές

υψηλής θερμοκρασίας, όπως η φωτιά, μπορεί να προκαλέσουν ζημιά στην μπαταρία.

- Μην αποσυναρμολογείτε την μπαταρία.
- Μην τοποθετείτε την μπαταρία εντελώς μέσα στο νερό. Τοποθετήστε την μπαταρία σε ξηρό και δροσερό περιβάλλον με καλό αερισμό.
- Εάν η μπαταρία μυρίζει, είναι ζεστή ή εάν η θερμοότητα προκαλεί παραμόρφωση της μπαταρίας κατά τη λειτουργία, την αποθήκευση ή τη φόρτιση, αφαιρέστε την μπαταρία και μην τη χρησιμοποιήσετε.
- Βεβαιωθείτε ότι η μπαταρία ή ο φορτιστής μπαταρίας είναι στερωμένοι κατά τη μεταφορά για την αποφυγή ζημιάς.
- Βεβαιωθείτε ότι ο φορτιστής της μπαταρίας δεν θερμαίνεται υπερβολικά.

Απορριψη

- Πρέπει να συμμορφώνεστε με τις τοπικές απαιτήσεις ανακύκλωσης και τους ισχύοντες κανονισμούς.
- Πετάξτε όλα τα χημικά, όπως το λάδι κινητήρα ή το καύσιμο, σε ένα κέντρο σέρβις ή σε μια κατάλληλη τοποθεσία απόρριψης.
- Όταν το προϊόν δεν είναι πλέον σε χρήση, στείλετε το σε έναν αντιπρόσωπο Husqvarna ή απορρίψτε το σε μια τοποθεσία ανακύκλωσης.
- Στείλτε την μπαταρία σε έναν αντιπρόσωπο σέρβις της ή απορρίψτε τη σε κατάλληλη τοποθεσία συγκέντρωσης χρησιμοποιημένων μπαταριών.

Τεχνικά στοιχεία

Τεχνικά στοιχεία

	LB 144	LB 244E
Κινητήρας		
Μάρκα	Husqvarna	Husqvarna
Μοντέλο	HS 123A	HS 139AE
Τύπος κινητήρα	Μονοκύλινδρος, 4-χρονος, ψύξη με εξαναγκασμένη κυκλοφορία αέρα, OHV	Μονοκύλινδρος, 4-χρονος, ψύξη με εξαναγκασμένη κυκλοφορία αέρα, OHV
Κυβισμός, cm ³	123	139
Στροφές κινητήρα - Ονομαστικές, σ.α.λ.	3000/λεπτό	2900/λεπτό
Ονομαστική απόδοση ισχύος κινητήρα, kW ³⁸	1,95	2,2
Σύστημα ανάφλεξης		

³⁸ Η ονομαστική ισχύς του εν λόγω κινητήρα είναι η μέση ωφέλιμη ισχύς (σε συγκεκριμένες στροφές κινητήρα) ενός τυπικού κινητήρα παραγωγής για το μοντέλο του κινητήρα μετρημένης βάσει του προτύπου SAE J1349/ISO 1585. Οι κινητήρες μαζικής παραγωγής μπορεί να διαφέρουν από την τιμή αυτή. Η πραγματική ωφέλιμη απόδοση ισχύος του κινητήρα που τοποθετείται στο τελικό προϊόν εξαρτάται από την ταχύτητα λειτουργίας, τις συνθήκες του περιβάλλοντος και άλλες τιμές.

	LB 144	LB 244E
Μπουζί	Husqvarna HQT-7	Husqvarna HQT-7
Διάκενο ηλεκτροδίου, mm	0,7-0,8	0,7-0,8
Σύστημα καυσίμου και λίπανσης		
Τύπος λίπανσης κινητήρα	Παφλασμός	Παφλασμός
Χωρητικότητα ντεπόζιτου καυσίμου, l	0,9	0,9
Χωρητικότητα ντεπόζιτου λαδιού, l	0,5	0,5
Λάδι κινητήρα ³⁹	Husqvarna SAE 30, Husqvarna SAE 5W-30 Synthetic, Husqvarna SAE 10W-40	Husqvarna SAE 30, Husqvarna SAE 5W-30 Synthetic, Husqvarna SAE 10W-40
Βάρος		
Με κενά ντεπόζιτα, kg	22	23,5
Εκπομπές θορύβου ⁴⁰		
Στάθμη ηχητικής ισχύος, μετρούμενη τιμή σε dB (A)	91	92
Στάθμη ηχητικής ισχύος, εγγυημένη L _{WA} dB (A)	94	94
Στάθμες ήχου ⁴¹		
Στάθμη ηχητικής πίεσης στο αυτί του χειριστή, σε dB (A)	79	80
Στάθμες κραδασμών ⁴²		
Επάνω λαβή δονήσεων, m/s ²	7,6	6,0
Εξοπλισμός κοπής		
Ύψος κοπής, mm	25-75	25-75
Πλάτος κοπής, mm	440	440
Σύστημα κοπής	Bioclip®	Bioclip®
Λεπίδα - βασικός εξοπλισμός	Χορτολίπασμα 5464584-10	Χορτολίπασμα 5464584-10
Σύστημα εκκίνησης		
Ηλεκτρική μίζα	Όχι	Ναι
Μπαταρία	-	Ιόντων λιθίου 10,8 V, 21,6 Wh

³⁹ Χρησιμοποιείτε λάδι κινητήρα ποιότητας API SJ ή υψηλότερης. Εάν το λάδι SAE-30 χρησιμοποιείται σε θερμοκρασία χαμηλότερη από +5 °C, υπάρχει κίνδυνος να μην λιπανθεί επαρκώς ο κινητήρας. Αυτό μπορεί να προκαλέσει ζημιά στον κινητήρα. Ανατρέξτε στην ενότητα *Αντικατάσταση του λαδιού του κινητήρα στη σελίδα 94* για το σωστό λάδι σε χαμηλές θερμοκρασίες. Ανατρέξτε στο διάγραμμα ιξώδους στο εγχειρίδιο του κινητήρα (αν περιλαμβάνεται) και επιλέξτε το καλύτερο ιξώδες με βάση την αναμενόμενη εξωτερική θερμοκρασία.

⁴⁰ Οι εκπομπές θορύβου στο περιβάλλον μετρούνται ως ηχητική ισχύς (L_{WA}) σε συμμόρφωση με την Οδηγία 2000/14/ΕΚ.

⁴¹ Τα καταγεγραμμένα στοιχεία για τη στάθμη πίεσης θορύβου έχουν τυπική στατιστική διασπορά (τυπική απόκλιση) 1,2 dB(A).

⁴² Τα καταγεγραμμένα στοιχεία για τη στάθμη κραδασμών έχουν τυπική στατιστική διασπορά (τυπική απόκλιση) ίση με 0,2 m/s².

Δήλωση Συμμόρφωσης

Δήλωση συμμόρφωσης ΕΕ

Εμείς, η **Husqvarna AB**, SE-561 82 Huskvarna, Σουηδία,
τηλ.: +46-36-146500, δηλώνουμε με αποκλειστική μας
ευθύνη ότι το προϊόν:

Περιγραφή	Ωθούμενο χλοοκοπτικό
Μάρκα	Husqvarna
Τύπος / Μοντέλο	LB 144, LB 244E
Αναγνώριση	Αριθμοί σειράς με ημερομηνία από το 2023 και έπειτα

συμμορφώνεται πλήρως με τις ακόλουθες οδηγίες και
τους κανονισμούς της ΕΕ:

Κανονισμός	Περιγραφή
2006/42/EK	"σχετικά με τα μηχανήματα"
2014/30/EE	"σχετικά με την ηλεκτρομαγνητική συμβατότητα"
2000/14/EK	"σχετικά με τις εκπομπές θορύβου στο περιβάλλον"
2011/65/EE	"σχετικά με τον περιορισμό της χρήσης ορισμένων επικίνδυνων ουσιών σε είδη ηλεκτρικού και ηλεκτρονικού εξοπλισμού"

και ότι εφαρμόζονται τα παρακάτω πρότυπα ή/και
τεχνικές προδιαγραφές: EN ISO 5395-1:2013+A1:2018,
EN ISO 5395-2:2013+A1:2016+A2:2017, EN IEC
63000:2018, EN ISO 14982:2009

Κοινοποιημένος φορέας: O 0404, SMP Svensk
Maskinprovning AB, Box 4053, SE-904 03 Umeå,
Sweden έχει πιστοποιήσει τη συμμόρφωση με
την οδηγία 2000/14/EK του Συμβουλίου, διαδικασία
αξιολόγησης συμμόρφωσης: Παράρτημα VI.

Για πληροφορίες σχετικά με τις εκπομπές θορύβου,
ανατρέξτε στην ενότητα *Τεχνικά στοιχεία στη σελίδα 98*.

Husqvarna, 2023-09-18



Claes Losdal, Υπεύθυνος ανάπτυξης/Προϊόντα κήπου
Husqvarna AB

Υπεύθυνος για την τεχνική τεκμηρίωση



Contenido

Introducción.....	101	Resolución de problemas del motor.....	112
Seguridad.....	102	Transporte, almacenamiento y eliminación.....	113
Montaje.....	105	Datos técnicos.....	114
Funcionamiento.....	105	Declaración de conformidad.....	116
Mantenimiento.....	107		

Introducción

Descripción del producto

El producto es un cortacésped giratorio conducido a pie que utiliza BioClip para cortar la hierba y convertirla en fertilizante.

Descripción del producto

(Fig. 1)

1. Palanca del freno del motor
2. Asa/manillar
3. Empuñadura de la cuerda de arranque (LB 144)
4. Palanca de altura de corte
5. Tapón del depósito de aceite y varilla de nivel
6. Silenciador
7. Bujía
8. Asa de elevación
9. Palanca de ajuste de altura del manillar
10. Tapón del depósito de combustible
11. Filtro de aire
12. Cubierta del equipo de corte
13. Cuchillas
14. Arandela de presión
15. Tornillo de la cuchilla
16. Batería, dispositivo de seguridad (LB 244E)
17. Botón de arranque eléctrico (LB 244E)
18. Manual de usuario

Símbolos que aparecen en el producto

(Fig. 2) **ADVERTENCIA:** Tenga cuidado y utilice el producto correctamente. Este producto puede ocasionar lesiones graves o mortales tanto al usuario como a cualquier otra persona.

(Fig. 3) Lea detenidamente el manual de usuario y asegúrese de que entiende las instrucciones antes de usar la máquina.

(Fig. 4) Tenga cuidado con los objetos que salgan despedidos o rebotados.

Uso previsto

Utilice el producto para cortar hierba. No utilice el producto para otras tareas.

(Fig. 5) Mantenga a las personas y animales a una distancia de seguridad respecto al área de trabajo.

(Fig. 6) **Advertencia:** Mantenga alejados los pies y las manos de la cuchilla cuando esté girando.

(Fig. 7) **Advertencia:** Mantenga las manos y los pies alejados de las piezas giratorias.

(Fig. 8) Detenga el motor y desconecte el cable de encendido antes de realizar tareas de mantenimiento o reparación.

(Fig. 9) Este producto cumple con las directivas CE vigentes.

(Fig. 10) Etiqueta de emisiones sonoras al medioambiente conforme con las directivas y normativas europeas y del Reino Unido, y con la regulación de 2017 sobre de protección del medioambiente (control de ruidos) (Protection of the Environment Operations - Noise Control) de la legislación de Nueva Gales del Sur. El nivel de potencia acústica garantizado del producto se especifica en el apartado *Datos técnicos en la página 114* y en la etiqueta.

(Fig. 11) Este producto cumple con las directivas del Reino Unido vigentes.

(Fig. 12) Riesgo de incendio.

(Fig. 13) No inhale los gases de escape. Los gases de escape del motor contienen monóxido

de carbono, que es un gas inodoro, tóxico y muy peligroso. No arranque el motor en interiores ni en espacios cerrados.

- (Fig. 14) Superficie caliente.
- (Fig. 16) Llene el motor de aceite antes de arrancar el producto.
- (Fig. 17) Procedimiento de arranque para el modelo LB 144: Presione la maneta del freno del motor y tire de la empuñadura de la cuerda de arranque.
- (Fig. 18) Procedimiento de arranque para el modelo LB 244E: Presione la maneta del freno del motor y pulse el botón de arranque.
- (Fig. 15) Código escaneable.

Nota: Los demás símbolos y etiquetas que aparecen en el producto corresponden a requisitos de homologación específicos en otras zonas comerciales.

Daños en el producto

No nos hacemos responsables de los daños que pueda sufrir el producto si:

- El producto se ha reparado incorrectamente.
- El producto se ha reparado con piezas que no eran del fabricante o no autorizadas por el fabricante.
- El producto tiene un accesorio que no es del fabricante o no está autorizado por este.
- El producto no se ha reparado en un centro de servicio autorizado o por un organismo homologado.

Emisiones Euro V



ADVERTENCIA: La manipulación del motor anula la homologación de la UE de este producto.

Seguridad

Definiciones de seguridad

Las advertencias, precauciones y notas se utilizan para destacar información especialmente importante del manual.



ADVERTENCIA: Indica un riesgo de lesiones o incluso de muerte del usuario o de las personas cercanas si no se respetan las instrucciones del manual.



PRECAUCIÓN: Indica un riesgo de daños en el producto, otros materiales o el área adyacente si no se respetan las instrucciones del manual.

Nota: Se usa para proporcionar más información necesaria en una situación determinada.

Instrucciones generales de seguridad



ADVERTENCIA: Lea las siguientes instrucciones de advertencia antes de utilizar el producto.

- Este producto es una herramienta peligrosa si se usa incorrectamente o si no se tiene cuidado. Puede causar lesiones graves o incluso la muerte si no siguen las instrucciones de seguridad.
- Este producto genera un campo electromagnético durante el funcionamiento. Este campo magnético

puede, en determinadas circunstancias, interferir con implantes médicos activos o pasivos. Para reducir el riesgo de que se den condiciones que provocarían lesiones graves o letales, las personas que utilizan implantes médicos deben consultar con su médico y con el fabricante del implante antes de poner en marcha este producto.

- Proceda siempre con cuidado y utilice el sentido común. Si no está seguro de cómo manejar el producto en una situación en particular, pare y consulte con su distribuidor Husqvarna antes de continuar.
- Tenga en cuenta que el usuario será el responsable de los accidentes que involucren a otras personas o a su propiedad.
- Mantenga el producto limpio. Asegúrese de que puede leer claramente las etiquetas.
- No permita que nadie utilice el producto a menos que haya leído y comprendido el contenido del manual de usuario.
- No deje que un niño maneje el producto.
- Mantenga a los niños alejados de la zona de trabajo. Debe haber presente en todo momento una persona mayor de edad responsable.
- No permita que nadie maneje el producto sin conocer las instrucciones.
- Si una persona con discapacidad física o mental usa el producto, asegúrese de supervisarla en todo momento. Debe haber presente en todo momento una persona mayor de edad responsable.
- No utilice el producto si está cansado, enfermo o si se encuentra bajo los efectos de alcohol, drogas o medicamentos. Esto tiene un efecto negativo en

su visión, capacidad de reacción, coordinación y capacidad de decisión.

- No utilice un producto que esté dañado o que no funcione correctamente.
- No modifique este producto ni lo utilice si puede haber sido modificado por otras personas.
- No cambie el ajuste del régimen del motor.

Seguridad en el área de trabajo



ADVERTENCIA: Lea las siguientes instrucciones de advertencia antes de utilizar el producto.

- Retire objetos tales como ramas, palos y piedras de la zona de trabajo antes de usar el producto.
- Los objetos que chocan contra el equipo de corte pueden salir despedidos y causar daños a personas y objetos. Mantenga a las personas y los animales a una distancia de seguridad respecto al producto.
- No utilice el producto en condiciones climáticas desfavorables, como niebla, lluvia, viento fuerte, frío intenso y riesgo de relámpagos. El uso del producto en condiciones climáticas desfavorables o en entornos húmedos o mojados produce mucho cansancio. El mal tiempo puede causar condiciones peligrosas, como superficies resbaladizas.
- Preste atención a las personas, objetos y situaciones que puedan impedir el funcionamiento seguro del producto.
- Tenga cuidado con los posibles obstáculos, como raíces, piedras, ramas, hoyos y zanjas. El césped crecido puede esconder obstáculos.
- Cortar el césped en pendientes puede resultar peligroso. No utilice el producto en pendientes de más de 15°.
- Utilice el producto a lo largo de las laderas de las pendientes. No se desplace hacia arriba y hacia abajo.
- Tenga cuidado cuando se acerque a esquinas y objetos escondidos que puedan bloquear su campo de visión.

Seguridad en el trabajo



ADVERTENCIA: Lea las siguientes instrucciones de advertencia antes de utilizar el producto.

- Utilice este producto para cortar solamente césped. No está permitido utilizar el producto para otras tareas.
- Utilice el equipo de protección personal. Consulte la sección *Equipo de protección personal en la página 103*.
- Asegúrese de que sabe cómo detener el motor rápidamente en caso de emergencia.
- Nunca arranque el motor en un espacio cerrado ni cerca de materiales inflamables. Los gases de

escape del motor están calientes y pueden contener chispas que pueden provocar un incendio.

- No utilice el producto a menos que la cuchilla y todas las cubiertas estén fijadas correctamente. Una cuchilla fijada incorrectamente puede soltarse y provocar daños personales.
- Asegúrese de que la cuchilla no golpea ningún objeto, como piedras y raíces. Esto puede causar daños a la cuchilla y doblar el eje del motor. Un eje doblado causa vibraciones excesivas y un riesgo muy alto de que la cuchilla se suelte.
- Si la cuchilla choca con algún objeto o si se producen vibraciones, pare el producto inmediatamente. Desconecte el cable de encendido de la bujía. Examine el producto para comprobar si presenta daños. Repare los daños o lleve el producto a un taller de servicio autorizado para realizar la reparación.
- No acople la maneta del freno del motor permanentemente al mango cuando el motor esté encendido.
- Ponga el producto en una superficie plana y estable, y arránquelo. Asegúrese de que la cuchilla no entre en contacto con el suelo u otros objetos.
- Manténgase siempre detrás del producto durante su uso.
- Mientras utilice el producto, mantenga todas las ruedas apoyadas en el suelo y las dos manos en el manillar. Mantenga alejados las manos y los pies de las cuchillas giratorias.
- No incline el producto con el motor en marcha.
- Tenga cuidado cuando tire del producto hacia atrás.
- Nunca levante el producto con el motor en marcha. Si tiene que levantar el producto, primero apague el motor y desconecte el cable de encendido de la bujía.
- No camine hacia atrás mientras utiliza el producto.
- Detenga el motor cuando se desplace por áreas sin hierba, por ejemplo, caminos de grava, piedra y asfalto.
- No corra con el producto con el motor en marcha. Camine siempre mientras utiliza el producto.
- Detenga el motor antes de cambiar la altura de corte. Nunca realice ajustes con el motor en marcha.
- No deje el producto desatendido con el motor en marcha. Pare el motor y asegúrese de que el equipo de corte no gire.

Instrucciones de seguridad para el funcionamiento

Equipo de protección personal



ADVERTENCIA: Lea las siguientes instrucciones de advertencia antes de utilizar el producto.

- El equipo de protección personal no elimina completamente el riesgo de lesiones, pero reduce la

gravedad de las lesiones en caso de accidente. Deje que el distribuidor le ayude a seleccionar el equipo adecuado.

- Utilice protectores auriculares si el nivel de ruido es superior a 85 dB.
- Utilice botas o zapatos de trabajo antideslizantes. No utilice calzado abierto ni vaya descalzo.
- Utilice pantalones largos gruesos.
- Utilice guantes protectores cuando sea necesario, por ejemplo, para el montaje, inspección o limpieza del equipo de corte.

Dispositivos de seguridad en el producto



ADVERTENCIA: Lea las siguientes instrucciones de advertencia antes de utilizar el producto.

- No utilice ningún producto con dispositivos de seguridad dañados o que no funcionen correctamente.
- Realice una comprobación de los dispositivos de seguridad con frecuencia. Si los dispositivos de seguridad están dañados o no funcionan correctamente, póngase en contacto con su taller de servicio Husqvarna.
- No haga ninguna modificación en los dispositivos de seguridad.

Comprobación de la cubierta del equipo de corte

La cubierta del equipo de corte disminuye las vibraciones en el producto y el riesgo de lesiones provocadas por la cuchilla.

- Examine la cubierta de corte para asegurarse de que no haya daños como, por ejemplo, grietas.

Batería (LB 244E)



ADVERTENCIA: Una batería dañada disminuye la seguridad del producto. Utilice siempre una batería homologada por el fabricante.

La batería suministra energía al arranque eléctrico y sirve como dispositivo de seguridad que impide el arranque accidental. Retire la batería cuando no utilice el producto y cuando lo deje sin supervisión.

Comprobación de la maneta de freno del motor

La maneta del freno del motor detiene el motor. Cuando se suelta la maneta del freno del motor, el motor se para.

- Arranque el motor y, a continuación, suelte la maneta de freno. Si el motor no se detiene en 3 segundos, lleve el producto a un taller de servicio Husqvarna autorizado para realizar el ajuste del freno del motor. (Fig. 19)

Silenciador

El silenciador mantiene al mínimo los niveles de ruido y aparta los gases de escape del usuario.

No utilice el producto si el silenciador no está instalado o está dañado. Un silenciador dañado aumenta el nivel de ruido y el riesgo de incendio.



ADVERTENCIA: El silenciador se calienta mucho durante el uso y también cuando el motor se encuentra al ralentí. Tenga cuidado cuando se encuentre cerca de materiales o gases inflamables para evitar incendios.

Comprobación del silenciador

- Examine el silenciador con frecuencia para asegurarse de que está montado correctamente y que no está dañado.

Seguridad en el uso del combustible



ADVERTENCIA: Lea las siguientes instrucciones de advertencia antes de utilizar el producto.

- No arranque el producto si está manchado de combustible o aceite del motor. Limpie el combustible o aceite y deje secar el producto.
- Si derrama combustible sobre la ropa, cámbiese inmediatamente.
- Evite el contacto con el combustible; puede provocarle lesiones. Si el combustible entra en contacto con la piel, lávese con agua y jabón.
- No arranque el motor si el producto tiene una fuga. Compruebe frecuentemente si hay fugas en el motor.
- Tenga cuidado con el combustible. El combustible es inflamable y sus gases son explosivos, por lo que puede provocar lesiones o la muerte.
- No inhale los vapores del combustible, ya que pueden causar lesiones. Asegúrese de que existe suficiente ventilación.
- No fume cerca del combustible o el motor.
- No coloque objetos calientes cerca del combustible o el motor.
- No añada combustible con el motor en marcha.
- Asegúrese de que el motor esté frío antes de repostar.
- Antes de repostar, abra la tapa del depósito de combustible lentamente y deje salir con cuidado el exceso de presión.
- No añada combustible al motor en interiores. Una circulación de aire insuficiente puede causar lesiones o la muerte por asfixia o inhalación de monóxido de carbono.
- Apriete completamente el tapón del depósito de combustible. Si el tapón del depósito de combustible no se aprieta, existe riesgo de incendio.

- Antes de arrancar el producto, llévelo a 3 m (10 pies) de distancia como mínimo del punto en el que llenó el depósito.
- No llene el depósito de combustible por completo. El calor hace que el combustible se expanda. Deje espacio libre en la parte superior del depósito de combustible.
- Nunca guarde una máquina con combustible en el depósito dentro de una habitación en la que haya fuentes de ignición como calentadores de agua, estufas o secadoras de ropa. Deje que el motor se enfríe antes de guardar la máquina en un sitio cerrado.

Instrucciones de seguridad para el mantenimiento



ADVERTENCIA: Lea las siguientes instrucciones de advertencia antes de utilizar el producto.

- Los gases de escape del motor contienen monóxido de carbono, que es un gas inodoro, tóxico y muy peligroso. No arranque el motor en interiores ni en espacios cerrados.

- Antes de realizar el mantenimiento del producto, detenga el motor y desconecte el cable de encendido de la bujía. En el modelo LB 244E, extraiga también la batería.
- Utilice guantes protectores cuando realice el mantenimiento del equipo de corte. La cuchilla está muy afilada y se pueden producir cortes con mucha facilidad.
- Los accesorios y modificaciones en el producto que no estén aprobados por el fabricante pueden causar daños graves o la muerte. No modifique el producto. Utilice siempre accesorios autorizados por el fabricante.
- Si el mantenimiento no se realiza correctamente y de forma regular, aumenta el riesgo de lesiones y daños en el producto.
- Realice únicamente las tareas de mantenimiento que se indican en este manual del propietario. Todos los demás trabajos de mantenimiento deben llevarse a cabo en un taller de servicio Husqvarna autorizado.
- Lleve el producto a un taller de servicio Husqvarna autorizado para realizar el mantenimiento de forma regular.
- Cambie las piezas dañadas, desgastadas o rotas.

Montaje

Introducción



ADVERTENCIA: Antes de montar el producto, debe leer y entender el capítulo sobre seguridad.



ADVERTENCIA: Retire el cable de la bujía antes de montar el producto.

Montaje del manillar

1. Tire de la palanca hacia atrás hasta que esté en la posición final. (Fig. 20)

2. Apriete las palomillas del manillar. (Fig. 21)

Regulación de la altura del manillar

1. Asegúrese de que la palanca de ajuste de altura esté en la ranura. Si la palanca de ajuste de altura no está en la ranura, presiónela hacia abajo con el pie. (Fig. 22)
2. Presione la palanca de ajuste de altura con el pie.
3. Coloque el manillar en la posición correcta y suéltelo. (Fig. 23)

Funcionamiento

Introducción



ADVERTENCIA: Antes de utilizar el producto, debe leer y entender el capítulo sobre seguridad.

Husqvarna Connect

Husqvarna Connect es una aplicación gratuita para su dispositivo móvil. La aplicación Husqvarna Connect proporciona más funciones para su producto Husqvarna:

- Información ampliada sobre el producto.
- Información y asistencia sobre piezas y mantenimiento de productos.

Para empezar a utilizar Husqvarna Connect

1. Descargue la aplicación Husqvarna Connect en su dispositivo móvil.
2. Registre una cuenta en la aplicación Husqvarna Connect.
3. Siga las instrucciones de la aplicación Husqvarna Connect para conectarse y registrar el producto.

Antes de utilizar el producto

1. Lea detenidamente el manual de usuario y asegúrese de que entiende las instrucciones.
2. Examine el equipo de corte para asegurarse de que está conectado y ajustado correctamente. Consulte la sección *Para inspeccionar el equipo de corte en la página 108*.
3. Compruebe el nivel de aceite de motor y repóngalo en caso necesario. Consulte la sección *Comprobación del nivel de aceite en la página 109*.
4. Llene el depósito de combustible. Consulte la sección *Repostaje de combustible en la página 106*.

Repostaje de combustible

Si puede, utilice gasolina con bajas emisiones/alquilatos. Si no puede utilizar gasolina con bajas emisiones/alquilatos, utilice una gasolina sin plomo o gasolina con plomo de buena calidad con un octanaje no inferior a 91.



PRECAUCIÓN: No utilice gasolina con un octanaje inferior a 91 octanos RON. Esto puede provocar daños en el producto.



PRECAUCIÓN: Cambie el filtro de combustible una vez al año o más a menudo si fuera necesario. Puede adquirir un nuevo filtro de combustible a través de su distribuidor Husqvarna.



PRECAUCIÓN: Pare siempre el motor antes de añadir combustible.



PRECAUCIÓN: No utilice líquidos de arranque presurizados.

1. Abra el tapón del depósito de combustible lentamente para liberar la presión.
2. Llene el depósito lentamente con una lata de combustible. Si derrama combustible, límpielo con un paño y deje que el combustible restante se seque. (Fig. 24)
3. Limpie la zona alrededor del tapón del depósito de combustible.
4. Apriete completamente el tapón del depósito de combustible. Si el tapón del depósito de combustible no se aprieta, existe riesgo de incendio.
5. Antes de arrancar el producto, llévalo a 3 m (10 pies) de distancia como mínimo del punto en el que llenó el depósito.

Ajuste del producto en la posición de funcionamiento

1. Monte el manillar. Consulte *Montaje del manillar en la página 105*.
2. Regule la altura del manillar. Consulte *Regulación de la altura del manillar en la página 105*.



PRECAUCIÓN: Asegúrese de que los cables no estén demasiado tensos. Una tensión excesiva puede provocar daños en el cable si el manillar se pliega en la posición de transporte.



ADVERTENCIA: No utilice el producto si el manillar no está completamente desplegado y colocado en la posición de altura correspondiente. Consulte *Regulación de la altura del manillar en la página 105*.

Ajuste de la altura de corte

La altura de corte puede ajustarse en 6 posiciones diferentes.

1. Pare el motor.
2. Mueva la palanca de altura de corte hacia atrás para aumentar la altura de corte. (Fig. 25)
3. Mueva la palanca de altura de corte hacia delante para reducir la altura de corte.



PRECAUCIÓN: No ajuste una altura de corte demasiado baja. Las cuchillas pueden golpear el suelo si la superficie del césped no está nivelada.

Arranque del producto

- Asegúrese de que el cable de encendido está conectado a la bujía.

Arranque manual (LB 144)

1. Permanezca detrás del producto.
2. Sujete la palanca del freno del motor contra la parte superior del manillar. (Fig. 26)
3. Sostenga la empuñadura de arranque con la mano derecha.
4. Tire lentamente de la cuerda de arranque hasta sentir cierta resistencia.
5. Tire con fuerza para arrancar el motor.



ADVERTENCIA: No se enrolle la cuerda de arranque alrededor de la mano.

Arranque eléctrico (LB 244E)

1. Asegúrese de que la batería está cargada. Consulte *Mantenimiento de la batería (LB 244E) en la página 110*.
2. Conecte la batería al motor. La batería quedará fija en su posición cuando oiga un clic. (Fig. 27)
3. Permanezca detrás del producto y sujete la maneta del freno del motor (A) contra la parte superior del manillar. (Fig. 28)
4. Mantenga pulsado el botón de arranque eléctrico (B) de 3 a 5 segundos. El motor arranca.

Nota: Si el motor no arranca, espere 1 minuto e inténtelo de nuevo.

Para detener el producto

- Para detener el motor, suelte la maneta del freno del motor.

Extracción de la batería (LB 244E)

Para evitar el arranque accidental del motor, quite la batería cuando el producto no esté en funcionamiento.

- Pulse el botón de bloqueo (A) y tire de la batería. (Fig. 29)

Para obtener un buen resultado

- Use siempre una cuchilla afilada. Una cuchilla roma proporciona un resultado irregular y la superficie de corte de la hierba adquiere un tono amarillo. Una cuchilla afilada también utiliza menos energía que una cuchilla roma.
- No corte más de $\frac{1}{3}$ de la longitud del césped. Corte primero con una altura de corte alta. Examine el resultado y baje la altura de corte al nivel que corresponda. Si la hierba está muy larga, vaya despacio y corte dos veces si es necesario.
- Corte en direcciones distintas cada vez para evitar crear rayas en el césped.
- Mantenga limpia la cubierta del equipo de corte. La acumulación de hierba y suciedad en el interior de esta cubierta puede reducir el resultado del corte. Consulte la sección *Para limpiar la superficie interior de la cubierta de corte en la página 108*.

Mantenimiento

Introducción



ADVERTENCIA: Antes de realizar cualquier trabajo de mantenimiento, debe leer y entender el capítulo sobre seguridad.

Para todos los trabajos de mantenimiento y reparación del producto, es necesario realizar una formación especial. Husqvarna garantiza que los trabajos de mantenimiento y reparación sean realizados por profesionales. Si su distribuidor no es un taller de servicio, pídale información sobre el taller de servicio más cercano.

Para obtener información detallada, consulte www.husqvarna.com.

Programa de mantenimiento



PRECAUCIÓN: Asegúrese de que el filtro de aire esté hacia arriba y no contra el suelo cuando incline el producto. Podría dañar el motor.



PRECAUCIÓN: En los modelos con arranque eléctrico, extraiga la batería antes de realizar tareas de mantenimiento, reparar el producto o limpiarlo.

Los intervalos de mantenimiento se calculan a partir del uso diario del producto. Los intervalos cambian si el producto no se utiliza a diario.

Para las tareas de mantenimiento identificadas con un asterisco (*), consulte las instrucciones de *Dispositivos de seguridad en el producto en la página 104*.

Mantenimiento	Diario	Mensualmente	Cada temporada
Realice una inspección general	X		
Compruebe el nivel de aceite	X		

Mantenimiento	Diario	Mensual-mente	Cada tempo-rada
Cambie el aceite (la primera vez a las 5 horas de uso; después, cada 50 horas de uso) ⁴³			X
Limpie el producto	X		
Limpie el área alrededor de la palanca de ajuste de altura del manillar	X		
Inspeccione el equipo de corte	X		
Examine la cubierta de corte *	X		
Inspeccione la maneta del freno del motor*	X		
Inspeccione el silenciador*		X	
Examine la bujía. Limpie o sustituya la bujía si fuese necesario			X
Examine el filtro de aire	X		
Limpie el filtro de aire ⁴⁴		X	
Sustituya el filtro de aire			X
Inspeccione el sistema de combustible			X
Limpie las aletas de refrigeración del cilindro		X	

Para realizar una inspección general

- Asegúrese de que todas las tuercas y los tornillos del producto estén apretados correctamente.

Para limpiar el producto externamente

- Use un cepillo para retirar las hojas, la hierba y la suciedad.
- Asegúrese de que la toma de aire de la parte superior del motor no esté obstruida.
- No utilice un equipo de limpieza a alta presión para limpiar el producto.
- Si utiliza agua para limpiar el producto, no dirija el chorro directamente sobre el motor.

Limpieza del área alrededor de la palanca de ajuste de altura del manillar

- Use un cepillo para retirar las hojas, la hierba y la suciedad.
(Fig. 30)

Para limpiar la superficie interior de la cubierta de corte

1. Vacíe el depósito de combustible.

2. Incline el producto. Asegúrese de que la bujía apunta hacia arriba.



PRECAUCIÓN: Si el producto se pone con el filtro de aire hacia abajo, el motor puede dañarse.

3. Limpie la superficie interior de la cubierta de corte con una manguera de agua.

Para inspeccionar el equipo de corte



ADVERTENCIA: Para evitar el arranque accidental, desconecte el cable de encendido de la bujía.



ADVERTENCIA: Utilice guantes protectores cuando realice el mantenimiento del equipo de corte. La cuchilla está muy afilada y se pueden producir cortes con mucha facilidad.

1. Inspeccione el equipo de corte para comprobar si presenta daños o grietas. Sustituya siempre un equipo de corte dañado.
2. Inspeccione la cuchilla para comprobar si está dañada o roma.

⁴³ Si se utiliza el producto con una carga pesada o a temperaturas elevadas, sustituya el aceite del motor cada 25 horas.

⁴⁴ Limpiar con mayor frecuencia en condiciones polvorientas o cuando haya residuos en el aire. Si está muy sucio, sustituya el filtro de aire.

Nota: Después de afilar la cuchilla, es necesario equilibrarla. El afilado, la sustitución y el equilibrado de la cuchilla deben realizarse en un centro de servicio. Si choca con un obstáculo que haga que el producto se pare, sustituya la cuchilla dañada. Lleve el producto a un centro de servicio, donde estimarán si la cuchilla puede afilarse o debe sustituirse.

Sustitución de la cuchilla

1. Bloquee la cuchilla con un bloque de madera. (Fig. 31)
2. Retire el tornillo y la arandela de presión de la cuchilla.
3. Extraiga la cuchilla.
4. Examine el soporte de la cuchilla y el tornillo de la cuchilla para comprobar si presentan daños.
5. Inspeccione el eje del motor para asegurarse de que no está doblado.
6. Cuando instale la nueva cuchilla, colóquela con los extremos en ángulo en dirección a la cubierta del equipo de corte. (Fig. 32)
7. Asegúrese de que la cuchilla quede alineada con el centro del eje del motor.
8. Bloquee la cuchilla con un bloque de madera. Coloque la arandela de presión, y apriete el tornillo y la arandela a un par de 44-46 Nm. (Fig. 33)
9. Mueva la cuchilla en distintas direcciones manualmente y compruebe que gira libremente.



ADVERTENCIA: Utilice guantes de protección de alta resistencia. La cuchilla está muy afilada y se pueden producir cortes con mucha facilidad.

10. Arranque el producto para hacer una prueba de la cuchilla. Si la cuchilla no está correctamente fijada, se producirán vibraciones en el producto o el resultado del corte no será satisfactorio.

Comprobación del nivel de aceite



PRECAUCIÓN: Un nivel de aceite demasiado bajo puede causar daños en el motor. Compruebe el nivel de aceite antes de arrancar el producto.

1. Coloque el producto sobre una superficie nivelada.
2. Retire el tapón del depósito de aceite y la varilla de nivel acoplada.
3. Limpie el aceite de la varilla de nivel de aceite.
4. Introduzca la varilla de nivel totalmente en el interior del depósito de aceite.
 - a) En el LB 144, no coloque el tapón del depósito de aceite.

- b) En el LB 244E, coloque el tapón del depósito de aceite.

5. Retire el tapón del depósito de aceite y la varilla de nivel.
6. Compruebe el nivel de aceite que indica la varilla.
7. Si el nivel de aceite es bajo, rellene el depósito con aceite de motor y vuelva a comprobar el nivel. (Fig. 34)

Nota: Utilice un embudo para evitar derrames.

8. Una vez que el nivel de aceite sea el adecuado, coloque el tapón del depósito de aceite.

Sustitución del aceite del motor



ADVERTENCIA: El aceite del motor está muy caliente inmediatamente después de apagar el motor. Deje que el motor se enfríe antes de vaciar el aceite del motor. Si derrama aceite del motor y entra en contacto con la piel, lávese con agua y jabón.

(Fig. 35)

1. Ponga el producto en funcionamiento hasta que el depósito de combustible se vacíe.
2. Quite el cable de encendido de la bujía.
3. Retire el tapón del depósito de aceite y la varilla de nivel acoplada.
4. Coloque un recipiente debajo del producto para recoger el aceite del motor.
5. Incline el producto y drene el aceite del motor del depósito de aceite con una bomba de aceite (accesorio).
6. Llene el depósito con aceite de motor nuevo del tipo recomendado en *Datos técnicos en la página 114*.
7. Compruebe el nivel de aceite. Consulte *Comprobación del nivel de aceite en la página 109*.
8. Una vez que el nivel de aceite sea el adecuado, coloque el tapón del depósito de aceite.

Filtro de aire

Un filtro de aire sucio puede provocar daños en el motor o que este no funcione correctamente. En condiciones polvorrientas, realice el mantenimiento del filtro de aire con mayor frecuencia. Consulte *Programa de mantenimiento en la página 107* para obtener información sobre cuándo cambiar el filtro de aire.

Nota: Sustituya siempre el filtro de aire si está dañado.

Extracción e instalación del filtro de aire (LB 244E)



ADVERTENCIA: Utilice guantes protectores.

1. Presione las fijaciones de la tapa del filtro de aire.
2. Retire con cuidado la tapa del filtro de aire (A) del motor.
3. Retire el filtro de aire (B). (Fig. 36)
4. Compruebe si el filtro de aire está dañado. Sustituya el filtro de aire si está dañado.
5. Limpie y examine el filtro de aire. Consulte la sección *Limpieza del filtro de aire (LB 244E)* en la página 110.
6. Para el montaje, efectúe el mismo procedimiento en el orden inverso.

Limpieza del filtro de aire (LB 244E)

Un filtro de aire sucio puede provocar daños en el motor o que este no funcione correctamente. En condiciones de trabajo con mucho polvo, realice el mantenimiento del filtro de aire con más frecuencia.

Consulte *Programa de mantenimiento en la página 107* para obtener información sobre cuándo cambiar el filtro de aire.

1. Retire la cubierta del filtro de aire y extraiga el filtro de aire.
2. Limpie el filtro golpeándolo suavemente contra una superficie plana. Para limpiar el filtro, no utilice nunca disolventes con petróleo, como el queroseno, ni aire comprimido.

Nota: Los filtros de aire utilizados durante mucho tiempo no se pueden limpiar por completo. Sustituya el filtro de aire con regularidad. Un filtro de aire dañado debe cambiarse siempre.

3. Cuando monte el filtro de aire, asegúrese de que quede totalmente sellado en su soporte.

Limpieza de los filtros de espuma (LB 144)



PRECAUCIÓN: No arranque el motor sin el filtro de aire instalado. El desgaste del motor aumenta si el aire está sucio.

1. Retire la cubierta del filtro de aire (A). (Fig. 37)
2. Saque los filtros de espuma (B).



PRECAUCIÓN: Examine los filtros de espuma en busca de daños o desgaste. Sustituya todos los filtros de espuma dañados.

3. Limpie los filtros de espuma con agua y jabón.

4. Enjuague los filtros de espuma con agua limpia.
5. Escorra el agua de los filtros de espuma y deje que se sequen.



PRECAUCIÓN: No utilice aire comprimido. Esto puede provocar daños en los filtros de espuma.

6. Lubrique los filtros de espuma plástica con aceite de motor.
7. Frote los filtros de espuma plástica con un paño limpio para retirar el aceite sobrante.
8. Instale los filtros de espuma. Asegúrese de que los filtros de espuma sellen completamente contra el soporte del filtro de aire.
9. Instale la cubierta del filtro de aire.

Mantenimiento de la batería (LB 244E)

La batería no requiere mantenimiento. El mantenimiento de la batería debe realizarlo exclusivamente un técnico de servicio autorizado.

Uso de la batería por primera vez (LB 244E)



PRECAUCIÓN: No deje que la batería se descargue. Si la batería se descarga, puede resultar dañada.

Antes de utilizar el dispositivo por primera vez, debe cargar la batería.

1. Conecte el cargador de batería a la batería; consulte *Carga de la batería (LB 244E)* en la página 110.
2. Espere hasta que al menos un LED verde se ilumine.
3. Conecte la batería al motor; consulte *Arranque eléctrico (LB 244E)* en la página 107.

Carga de la batería (LB 244E)

Si la batería tiene solo un indicador encendido o no tiene ninguno, es necesario cargarla. Una batería descargada se carga por completo en dos horas. Cargar la batería durante menos tiempo no causa daños en ella.

1. Conecte el cargador de batería a la batería. (Fig. 38)
2. Conecte el cargador de batería a una toma de corriente (100-240 V, 50-60 Hz).
3. Desenchufe primero el cargador de la toma de corriente y, a continuación, desconecte el cargador de la batería.

Estado de carga de la batería

Indicadores LED de la batería	Estado
El LED 1 parpadea en rojo.	1 %-9 %
El LED 1 está rojo fijo.	10 %-32 %

Indicadores LED de la batería	Estado
EL LED 1 está verde y el LED 2 está rojo.	33 %-54 %
Los LED 1 y 2 están verdes y el LED 3 está rojo.	55 %-77 %
Los LED 1, 2 y 3 están verdes y el LED 4 está rojo.	78 %-100 %

Indicador luminoso del cargador	Estado
Luz roja fija	La batería se está cargando.
Luz verde fija	La batería está completamente cargada.

Mantenimiento de la bujía



PRECAUCIÓN: Utilice siempre el tipo de bujía recomendado. El uso de un tipo de bujía incorrecto puede causar averías en el producto.

- Examine la bujía si el motor tiene poca potencia, no es fácil de arrancar o no funciona correctamente al régimen de ralentí.
- Para reducir la suciedad en los electrodos de la bujía, siga estas instrucciones:
 - Asegúrese de que el régimen de ralentí está bien ajustado.
 - Asegúrese de que la mezcla de combustible sea correcta.
 - Asegúrese de que el filtro de aire esté limpio.
- Si la bujía está sucia, límpiela y asegúrese de que la distancia entre los electrodos sea la correcta, consulte *Datos técnicos en la página 114*. (Fig. 39)
- Sustituya la bujía si fuese necesario.

Para inspeccionar el sistema de combustible

- Examine el tapón del depósito de combustible y la junta del tapón para comprobar que no presenten daños.

- Examine la manguera de combustible para asegurarse de que no haya fugas. Si la manguera de combustible está dañada, lleve el producto a un taller de servicio para sustituirla.

Vaciado del depósito de combustible

- Coloque un recipiente debajo del depósito de combustible.
- Extraiga el tapón del depósito de combustible.
- Presione las presillas de la manguera de combustible contra el carburador.
- Retire la manguera de combustible del carburador.
- Coloque la manguera del depósito de combustible en el recipiente y retire las presillas de la manguera.
- Incline el producto para vaciar el combustible en el recipiente.

Sustitución del filtro de combustible



ADVERTENCIA: Utilice guantes protectores.

- Vacíe el depósito de combustible.
- Aleje la presilla de la manguera del depósito de combustible. (Fig. 40)
- Retire la manguera de combustible del depósito de combustible. Puede producirse una pequeña fuga de combustible. (Fig. 41)
- Retire el filtro del depósito de combustible. (Fig. 42)
- Coloque un filtro de combustible nuevo en el depósito.
- Conecte la manguera de combustible al depósito de combustible.
- Coloque la presilla de la manguera en su posición contra el depósito de combustible.

Resolución de problemas del motor

Problema	Causa posible	Solución
El motor no arranca.	El cable de encendido no está conectado correctamente.	Conecte el cable de encendido a la bujía.
	El depósito de combustible está vacío.	Llene el depósito de combustible con el tipo de combustible adecuado.
	El combustible es antiguo.	Drene el depósito de combustible y el carburador. Reposte con gasolina nueva.
	Hay suciedad en el carburador o la tubería de combustible.	Limpie el carburador, la tubería de combustible o ambos.
	La bujía está dañada.	Ajuste la distancia entre los electrodos y limpie o sustituya la bujía.
	Hay combustible en la bujía.	Limpie la bujía.
El motor no para.	El mecanismo de parada no funciona correctamente.	Desconecte el cable de encendido de la bujía. Lleve el producto a un taller de servicio autorizado para su reparación.
El motor no funciona correctamente.	El cable de encendido no está conectado correctamente.	Conecte el cable de encendido a la bujía.
	Hay suciedad en la tubería de combustible o el combustible ha caducado.	Limpie la tubería de combustible. Llene el depósito de combustible con combustible nuevo del tipo correcto.
	Hay una obstrucción en el tapón del depósito de combustible.	Limpie el tapón del depósito de combustible.
	Hay agua o suciedad en el sistema de combustible.	Vacíe el depósito de combustible. Llene el depósito de combustible con combustible nuevo del tipo correcto.
	El filtro de aire está sucio.	Limpie el filtro de aire.
	Es necesario ajustar el carburador.	Lleve el carburador a un taller de servicio para que lo ajusten.
El motor se calienta demasiado.	El nivel de aceite del motor es demasiado bajo.	Reponga con aceite de motor.
	El caudal de aire no es suficiente.	Limpie el filtro de aire y la carcasa del filtro de aire.
	Es necesario ajustar el carburador.	Lleve el carburador a un taller de servicio para que lo ajusten.
Se produce un fallo de encendido en el motor cuando funciona a régimen alto.	La distancia entre los electrodos de la bujía es demasiado corta.	Ajuste la distancia entre los electrodos.

Problema	Causa posible	Solución
El motor emite ruidos extraños con una carga normal.	Tipo de gasolina incorrecto.	Drene el depósito de combustible y el carburador. Reposte con gasolina nueva. Consulte <i>Para inspeccionar el sistema de combustible en la página 111</i> . Si el problema persiste, póngase en contacto con su taller de servicio más cercano.
El motor no funciona correctamente al ralentí.	La bujía está sucia o defectuosa, o la distancia entre los electrodos es demasiado grande.	Ajuste la distancia entre los electrodos o sustituya la bujía.
	Es necesario ajustar el carburador.	Ajuste el carburador.
	El filtro de aire está sucio.	Limpie el filtro de aire.

Transporte, almacenamiento y eliminación

Transporte y almacenamiento

- Para el transporte y almacenamiento del producto y del combustible, asegúrese de que no haya fugas ni humos. Las chispas o llamas abiertas, por ejemplo, de dispositivos eléctricos o calderas, pueden producir un incendio.
- Use siempre recipientes homologados para el transporte y almacenamiento de combustible.
- Vacíe el depósito de combustible antes de poner el producto en almacenamiento durante un largo periodo de tiempo. Deseche el combustible en una ubicación adecuada para su eliminación.
- Asegure el producto durante el transporte para evitar daños y accidentes.
- Mantenga el producto en un área cerrada para impedir el acceso a niños o personas no autorizadas.
- Mantenga el producto en un lugar seco y al abrigo de las heladas.

Ajuste del producto en la posición de transporte

1. Afloje las palomillas del manillar. (Fig. 43)
2. Despliegue la parte superior del manillar hacia delante hasta que alcance la posición final. (Fig. 44)

Transporte y almacenamiento de la batería y el cargador

- No extraiga la batería hasta que el producto esté parado y frío. Para retirar la batería, mantenga pulsado el botón de la parte superior de esta y extráigala de su alojamiento.

- Si el tiempo de almacenamiento va a superar los 30 días, cargue la batería hasta que tenga más de 3 luces verdes.
- Cargue la batería cada tres meses para evitar que se dañe.
- La batería y el cargador deben guardarse a una temperatura de entre 5 °C y 40 °C. Temperaturas más altas o fuentes de calor como el fuego pueden dañar la batería.
- No desmonte la batería.
- No sumerja la batería en agua. Guarde la batería en un lugar seco y fresco, con una ventilación adecuada.
- Si la batería huele, se calienta o si el calor provoca deformaciones durante su funcionamiento, almacenamiento o carga, extráigala y no la utilice.
- Asegúrese de que la batería o el cargador están sujetos durante el transporte para evitar daños.
- Asegúrese de que el cargador de la batería no se caliente demasiado.

Eliminación

- Respete los requisitos de reciclaje locales y las normas aplicables.
- Deseche todos los productos químicos, como el aceite de motor o el anticongelante, en un centro de servicio o una ubicación adecuada para su eliminación.
- Cuando ya no use el producto, envíelo a un distribuidor Husqvarna o deséchelo en un punto de reciclaje.
- Deseche la batería en un centro de servicio o déjela en unas instalaciones para residuos que recoja baterías agotadas.

Datos técnicos

Datos técnicos

	LB 144	LB 244E
Motor		
Marca	Husqvarna	Husqvarna
Modelo	HS 123A	HS 139AE
Tipo de motor	Monocilíndrico, 4 tiempos, refrigeración forzada por aire, OHV	Monocilíndrico, 4 tiempos, refrigeración forzada por aire, OHV
Cilindrada, cm ³	123	139
Régimen del motor - nominal, rpm	3000/min.	2900/min.
Potencia nominal del motor, kW ⁴⁵	1,95	2,2
Sistema de encendido		
Bujía	Husqvarna HQT-7	Husqvarna HQT-7
Distancia entre los electrodos, mm	0,7-0,8	0,7-0,8
Sistema de combustible y lubricación		
Tipo de lubricación del motor	Salpicadura	Salpicadura
Capacidad del depósito de combustible, l	0,9	0,9
Capacidad del depósito de aceite, litros	0,5	0,5
Aceite del motor ⁴⁶	Husqvarna SAE 30, Husqvarna SAE 5W-30 sintético, Husqvarna SAE 10W-40	Husqvarna SAE 30, Husqvarna SAE 5W-30 sintético, Husqvarna SAE 10W-40
Peso		
Con los depósitos vacíos, kg	22	23,5
Emisiones de ruido ⁴⁷		
Nivel de potencia acústica medido, dB(A)	91	92
Nivel de potencia acústica garantizado L _{WA} dB(A)	94	94

⁴⁵ La potencia nominal del motor indicada es la potencia neta media (al régimen especificado) de un motor de producción típico para el modelo de motor conforme a la norma SAE J1349/ISO1585. Los motores fabricados en serie podrían presentar valores diferentes. La potencia de salida real del motor instalado en el producto final dependerá de la velocidad de funcionamiento, las condiciones medioambientales y otros valores.

⁴⁶ Utilice aceite de motor de calidad API SJ o superior. Si utiliza aceite SAE-30 a una temperatura inferior a +5 °C, existe el riesgo de que el motor no se lubrique correctamente. Esto puede ocasionar daños en el motor. Consulte la sección *Sustitución del aceite del motor en la página 109* para saber cuál es el aceite correcto para temperaturas bajas. Consulte la tabla de los valores de viscosidad en el manual del motor (si se incluye) y seleccione la mejor viscosidad según la temperatura ambiente prevista.

⁴⁷ Emisiones sonoras en el entorno medidas como potencia acústica (L_{WA}) según la directiva 2000/14/CE.

	LB 144	LB 244E
Niveles acústicos ⁴⁸		
Nivel de presión sonora en el oído del usuario, dB(A)	79	80
Niveles de vibración ⁴⁹		
Vibraciones en la parte superior del manillar, m/s ²	7,6	6,0
Equipo de corte		
Altura de corte, mm	25-75	25-75
Anchura de corte, mm	440	440
Sistema de corte	BioClip®	BioClip®
Cuchilla estándar	Triturador 5464584-10	Triturador 5464584-10
Sistema de arranque		
Mecanismo de arranque eléctrico	No	Sí
Batería	-	Ion-litio, 10,8 V/15,7 Wh

⁴⁸ Los datos referidos del nivel de presión sonora tienen una dispersión estadística habitual (desviación típica) de 1,2 dB (A).

⁴⁹ Los datos referidos del nivel de vibración poseen una dispersión estadística habitual (desviación típica) de 0,2 m/s².

Declaración de conformidad

Declaración de conformidad CE

Nosotros, **Husqvarna AB**, SE-561 82 Huskvarna (Suecia), tel. +46-36-146500, declaramos bajo nuestra exclusiva responsabilidad que el producto:

Descripción	Cortacésped
Marca	Husqvarna
Tipo/Modelo	LB 144, LB 244E
Identificación	Números de serie a partir del año 2023

Cumple las siguientes directivas y normas de la UE:

Norma	Descripción
2006/42/CE	"relativa a las máquinas"
2014/30/UE	"relativa a la compatibilidad electromagnética"
2000/14/CE	"relativa a las emisiones sonoras en el entorno"
2011/65/UE	"relativa a restricciones de utilización de determinadas sustancias peligrosas en aparatos eléctricos y electrónicos"

Y que se aplican las especificaciones técnicas o los estándares siguientes: EN ISO 5395-1:2013+A1:2018, EN ISO 5395-2:2013+A1:2016+A2:2017, EN IEC 63000:2018, EN ISO 14982:2009

Organismo notificado: 0404, SMP Svensk Maskinprovning AB, Box 4053, SE-904 03 Umeå, Sweden ha certificado la conformidad con la Directiva del Consejo 2000/14/CE, Procedimiento de evaluación de conformidad: Anexo VI.

Para obtener información respecto a las emisiones sonoras, consulte *Datos técnicos en la página 114*.

Huskvarna, 2023-09-18



Claes Losdal, director de desarrollo/productos para jardín de Husqvarna AB

Responsable de la documentación técnica



Sisukord

Sissejuhatus.....	117	Mootori tõrkeotsing.....	126
Ohutus.....	118	Transportimine, hoiulepanek ja utiliseerimine.....	127
Kokkupanek.....	121	Tehnilised andmed.....	128
Töö.....	121	Vastavusdeklaratsioon.....	130
Hooldamine.....	122		

Sissejuhatus

Toote kirjeldus

Toode on lükatav pöörleva lõiketeraga muruniiduk, mis kasutab muru väetiseks lõikamiseks süsteemi BioClip.

Toote tutvustus

(Joon. 1)

1. Mootori pidurikäepide
2. Käepide/juhtraud
3. Käivitusnööri käepide (LB 144)
4. Lõikekõrguse hoob
5. Õlipaagi kork ja mõõtevarras
6. Summuti
7. Süüteküünl
8. Tõstekäepide
9. Juhtraua kõrguse reguleerimisvarras
10. Kütusepaagi kork
11. Õhufilter
12. Lõikekorpus
13. Lõiketera
14. Vedruseib
15. Lõiketera polt
16. Aku, ohutusseadis (LB 244E)
17. Elektrilise käiviti nupp (LB 244E)
18. Kasutusjuhend

Sümbolid tootel

(Joon. 2) **HOIATUS!** Olge ettevaatlik ja kasutage toodet õigesti. Toode võib tekitada kasutajale või teistele raske või surmava kehavigastuse.

(Joon. 3) Enne seadme kasutamist lugege kasutusjuhend põhjalikult läbi ja veenduge, et kõik juhised oleksid täiesti arusaadavad.

(Joon. 4) Olge ettevaatlik – lenduvate esemete ning tagasipõrkumise oht.

(Joon. 5) Teised inimesed ja loomad peavad viibima tööalast ohutus kauguses.

Kasutusotstarve

Kasuta toodet muru pügamiseks. Ära kasuta toodet muude tööde tegemiseks.

(Joon. 6) **Hoiatus!** Hoidke käed ja jalad pöörlevast terast eemal.

(Joon. 7) **Hoiatus!** Hoidke käed ja jalad pöörlevatest osadest eemal.

(Joon. 8) Enne seadme remontimist või hooldamist seisake mootor ja eemaldage süütejuhe.

(Joon. 9) See toode vastab kehtivatele EÜ direktiividele.

(Joon. 10) Müraremissioonile viitav keskkonnasilt vastavalt ELi ja UK direktiividele ja määrustele ja Uus Lõuna-Walesi õigusaktile „Protection of the Environment Operations (Noise Control) Regulation 2017“. Toode garanteeritud helivõimsuse taseme andmed leiate jaotisest *Tehnilised andmed lk 128* ja sildilt.

(Joon. 11)

See toode vastab kehtivatele UK direktiividele.

(Joon. 12) Tuleoht.

(Joon. 13) Ärge hingake sisse heitgaase. Mootori heitgaasid sisaldavad vingugaasi, mis on lõhnatu, mürgine ja väga ohtlik. Ärge käivitage mootorit siseruumis ega suletud alal.

(Joon. 14) Kuum pind.

(Joon. 16) Enne toote käivitamist täitke mootor õliga.

- (Joon. 17) Seadme LB 144 käivitamine: vajutage mootori pidurikäepide alla ja tõmmake käivitusnööri käepidet.
- (Joon. 18) Seadme LB 244E käivitamine: lükake mootori pidurikäepide alla ja vajutage käivitusnuppu.

- toodet on valesti parandatud;
- toote parandamisel on kasutatud osi, mis ei ole tootja poolt valmistatud või heaks kiidetud;
- tootel on kasutatud tarvikut, mis ei ole tootja poolt valmistatud või heaks kiidetud;
- toodet ei ole parandatud volitatud hoolduskeskuses või volitatud isiku poolt.

(Joon. 15) Skannitav kood.

Märkus: Seadmel toodud ülejäänud sümbolid/ tähised vastavad muude kommertsvaldkondade sertifitseerimisnõuetele.

Toote kahjustused

Me ei vastuta meie tootele tekitatud kahjude eest, kui:

Euro V heitmed



HOIATUS: Mootori igasugune modifitseerimine, muutmine või rikkumine tühistab toote EL-i tüübikinnituse.

Ohutus

Ohutuse määratlused

Mõistetega „hoiatus“, „ettevaatust“ ja „märkus“ juhitakse tähelepanu eriti olulistele kohtadele kasutusjuhendis.



HOIATUS: Tähistab kasutusjuhendi juhiste eiramise korral kasutaja või kõrvalseisjate kehavigastuse või surmaga lõppeva õnnetuse ohtu.



ETTEVAATUST: Tähistab kasutusjuhendi juhiste eiramise korral seadme, muude esemete või läheduses asuvate objektide kahjustamise ohtu.

Märkus: Tähistab antud olukorras vajalikku lisateavet.

Üldised ohutuseeskirjad



HOIATUS: Enne toote kasutamist lugege läbi järgmised hoiatused.

- Seade on ohtlik, kui seda kasutada valesti või ettevaatamatult. Ohutuseeskirjade eiramine võib põhjustada kehavigastuse või surma.
- Toode tekitab töötades elektromagnetvälja. Teatud tingimustel võib väli häirida aktiivsete või passiivsete meditsiiniliste implantaatide tööd. Raskete või surmaga lõppevate kehavigastuste ohtu vähendamiseks soovitame meditsiinilisi implantaate kasutataval inimestel pidada enne selle seadme kasutamist nõu oma arsti ja implantaadi valmistajaga.

- Olge alati ettevaatlik ja toimige arukalt. Kui te pole kindel, kuidas toodet eriolukorras kasutada, lõpetage töö ja pidage enne jätkamist nõu Husqvarna edasimüüjaga.
- Arvestage, et teiste isikute ja nende varaga seotud õnnetuste korral kannab vastutust seadme kasutaja.
- Hoidke seade puhas. Veenduge, et märgid ja tähised oleksid selgelt loetavad.
- Ärge lubage kellelgi toodet kasutada enne, kui ta on lugenud kasutusjuhendit ja selle sisu endale selgeks teinud.
- Ärge lubage lastel toodet käsitseda.
- Hoidke lapsed tööalast eemal. Vastutusvõimeline täiskasvanu peab kogu aeg kasutaja juures viibima.
- Ärge lubage kasutusjuhendiga mitte tutvunud isikul toodet käsitseda.
- Kui seadet kasutab piiratud füüsiliste või vaimsete võimete isik, peab ta olema kogu aeg järelevalve all. Vastutusvõimeline täiskasvanu peab kogu aeg kasutaja juures viibima.
- Ärge kasutage toodet, kui olete väsinud, haige või tarvitanud alkoholi, narkootikume või ravimeid. Sellel on negatiivne mõju teie nägemisele, tähelepanuvõimele, liikumisele ja otsustamisvõimele.
- Ärge kasutage toodet, mis on kahjustatud või mis ei tööta korralikult.
- Ärge muutke seadet, nii et see ei vasta enam tehase originaalmudelitele; ärge kasutage seadet, kui arvate, et seda on muutnud keegi teine.
- Ära muuda mootori kiiruse regulaatori seadistust.

Tööala ohutus



HOIATUS: Enne seadme kasutamist lugege läbi järgnevad hoiatused.

- Enne toote kasutamist eemaldage tööalalt oksad ja kivid.
- Lõikeosaga kokku puutuvad esemed võivad õhku paiskuda ning inimesi vigastada ja esemeid kahjustada. Juuresolijad ja loomad peavad viibima tootest ohutus kauguses.
- Ärge kasutage toodet halva ilmaga, näiteks udu, vihma, tugeva tuule, tugeva pakase ja pikseohu korral. Toote kasutamine halva ilma ning niiskete ja märgade tingimuste korral on väsitav. Halb ilm võib põhjustada ohtlikke tingimusi (nt libedaid pindu).
- Suhtuge tähelepanelikult inimestesse, esemetesse ja olukordadesse, mis võivad takistada toote ohutut kasutamist.
- Olge ettevaatlik takistuste (nt juurte, kivide, oksade, aukude ja kraavide) suhtes. Kõrge rohi võib peita takistusi.
- Muru niitmine kallakutel võib olla ohtlik. Ärge kasutage toodet alal, mille kalle ületab 15°.
- Kasutage toodet kallakul risti liikudes. Ärge liikuge üles ja alla.
- Olge ettevaatlik varjatud nurkade ja vaatevälja varjavate esemete läheduses.

Tööohutus



HOIATUS: Enne seadme kasutamist lugege läbi järgnevad hoiatused.

- Kasutage seda toodet ainult muru niitmiseks. Muude toimingute tegemiseks toodet kasutada ei tohi.
- Kasutage isikukaitsevahendeid. Vt jaotist *Isikukaitsevahendid lk 119*.
- Veenduge, et teate, kuidas hädaolukorras mootorit kiiresti seisata.
- Ärge käivitage mootorit suletud ruumis ega tuleohtlike materjalide lähedal. Mootori heitgaasid on kuumad ja võivad sisaldada sädemeid, mis võivad tekitada tulekahju.
- Ärge kasutage toodet enne, kui lõiketera ja katted on õigesti kinnitatud. Valesti kinnitatud lõiketera võib lahti tulla ja inimesi vigastada.
- Veenduge, et lõiketera ei puutuks kokku esemetega (nt kivide ja juurtega). See võib lõiketera kahjustada ja põhjustada mootori võlli väändumist. Paindega telg põhjustab tugevat vibratsiooni ja suurt lõiketera lahtitulemise ohtu.
- Kui lõiketera puutub kokku mõne esemega või esineb vibratsioon, peatage toode viivitamatult. Lahutage süüteküünlina süütejuhe. Kontrollige toodet kahjustuste suhtes. Parandage kahjustused või laske toodet remontida volitatud hooldustöökojas.
- Kui mootor töötab, ärge kinnitage mootori pidurikäpideid käepidemele jäädavalt.
- Asetage toode stabiilsele ja tasasele pinnale ning käivitage see. Veenduge, et lõiketera ei puutuks vastu maad ega muid esemeid.
- Olge toote kasutamisel alati toote taga.

- Toote kasutamisel hoidke mõlema käega käepidemest ja kõik toote rattad maas. Hoidke käed ja jalad liikuvatest teradest eemal.
- Kui mootor on käivitatud, ärge kallutage toodet.
- Olge toote tagasisuunas tõmbamisel ettevaatlik.
- Kui mootor on käivitatud, ärge tõstke toodet. Kui teil on vaja toodet tõsta, seisake esmalt mootor ja lahutage süütejuhe süüteküünlast.
- Ärge kõndige toote kasutamise ajal tagurpidi.
- Seisake mootor, kui liigute alal, kus pole muru, näiteks kruusast, kivist ja asfaldist teedel.
- Ärge lükake toodet joostes, kui mootor on käivitatud. Toote kasutamise ajal kõndige.
- Enne lõikamiskõrguse muutmist seisake mootor. Ärge tehke seadistusi, kui mootor töötab.
- Ärge laske toodet silmist, kui mootor töötab. Seisake mootor ja veenduge, et lõikeosa ei pöörleks.

Ohutusjuhised kasutamisel

Isikukaitsevahendid



HOIATUS: Enne seadme kasutamist lugege läbi järgnevad hoiatused.

- Isikukaitsevarustus ei välista täielikult kehavigastuste ohtu, kuid vähendab õnnetusjuhtumi korral kehavigastuse raskusastet. Õige varustuse valimiseks pöörduge edasimüüja poole.
- Kui müratase ületab 85 dB, kandke kuulmiskaitseid.
- Kandke vastupidavaid saapaid või jalatseid, mis on libisemiskindlad. Ärge kandke avatud jalatseid ega olge paljajalu.
- Kandke tugevaid pikki pükse.
- Vajaduse korral kandke kaitsekindaid, näiteks lõikeosa kinnitades, kontrollides või puhastades.

Toote ohutusseadised



HOIATUS: Enne toote kasutamist lugege läbi järgmised hoiatused.

- Ärge kasutage toodet, mille ohutusseadmed on kahjustatud või ei tööta korralikult.
- Kontrollige ohutusseadmeid regulaarselt. Kui ohutusseadmed on kahjustatud või ei tööta korralikult, pöörduge Husqvarnahooldustöökoja poole.
- Ärge tehke muudatusi ohutusseadmetes.

Lõikeosa katte kontrollimine

Lõikeosa kate vähendab toote vibratsiooni ja lõiketerast tingitud vigastuste ohtu.

- Kontrollige lõikeosa kahjustuste (nt pragude) suhtes.



HOIATUS: Kahjustatud aku vähendab toote ohutust. Kasutage tootja heakskiidetud akut.

Aku toidab elektrilist starterit ja toimib ohutusseadisena, et takistada juhuslikku käivitumist. Kui te toodet ei kasuta ja kui jätate selle järelevalveta, eemaldage aku.

Mootori pidurikäepide kontrollimine

Mootori pidurikäepideme abil saab mootori seisata. Mootori pidurikäepideme vabastamisel mootor seiskub.

- Käivitage mootor ja vabastage seejärel mootori pidurikäepide. Kui mootor kolme sekundi jooksul ei seisku, laste mootorpidurit reguleerida Husqvarna volitatud hooldustöökjas. (Joon. 19)

Summuti

Summuti ülesandeks on hoida müratase võimalikult madalal ja suunata mootori heitgaasid kasutajast eemale.

Ärge kasutage toodet, kui summuti puudub või on kahjustatud. Kahjustatud summuti tõstab mürataset ja suurendab tulekahju ohtu.



HOIATUS: Seadme töötamise ajal ja vahetult pärast töötamist ning mootori tühikäigul töötamise ajal on summuti väga kuum. Tulekahju vältimiseks olge tuleohtlike materjalide ja/või aurude läheduses väga ettevaatlik.

Summuti kontrollimine

- Kontrollige summutit regulaarselt ning veenduge, et see oleks õigesti kinnitatud ja kahjustamata.

Ohutusnõuded kütuse käsitlemisel



HOIATUS: Enne toote kasutamist lugege läbi järgmised hoiatused.

- Ärge käivitage toodet, kui toote pinnale on sattunud kütust või mootoriõli. Eemaldage kütus/õli toote pinnalt ja laske tootel kuivada.
- Kui kütus satub rõivastele, siis vahetage kohe riideid.
- Vältige kütuse sattumist nahale, see võib põhjustada kehavigastusi. Kui kütus satub kehale, puhastage piirkond seebi ja veega.
- Ärge käivitage toodet, kui mootor lekib. Kontrollige regulaarselt mootori lekkekindlust.
- Olge kütuse käsitlemisel ettevaatlik. Kütus on tuleohtlik ja kütuse aurud on plahvatusohtlikud ning võivad põhjustada kehavigastusi või surma.

- Ärge hingake sisse kütuseaure – see võib põhjustada kehavigastuse. Taga piisav õhuvahetus.
- Ärge suitsetage kütuse ega mootori läheduses.
- Ärge asetage kuumi esemeid kütuse ega mootori lähedusse.
- Ärge tankige kütust, kui mootor töötab.
- Enne tankimise alustamist veenduge, et mootor oleks külm.
- Enne tankimise alustamist avage aeglaselt kütusepaagi kork ja laske survel alaneda.
- Ärge tankige mootorit siseruumis. Ebapiisav õhuvahetus võib põhjustada lämbumisest või vingugaasimürgistusest tingitud kehavigastuse või surma.
- Keerake kütusepaagi kork korralikult kinni. Kütusepaagi korki lõtv kinnitus põhjustab tuleohtu.
- Enne käivitamist vii toode vähemalt 3 m kaugelese kohast, kus toimus kütusepaagi täitmine.
- Ärge täitke kütusepaaki täielikult. Soojuste mõjul kütus paisub. Jätke kütusepaagi ülaserava vaba ruumi.
- Ärge kunagi jätke toodet pikemaks ajaks seisma hoonesse, kui kütus on paagis ja süütelikud läheduses, nt veeboilerid, puhurid või kuivatid. Enne hoones säilitamist laske mootoril esmalt jahtuda.

Ohutusjuhised hooldamisel



HOIATUS: Enne seadme kasutamist lugege läbi järgnevad hoiatused.

- Mootori heitgaasid sisaldavad vingugaasi: lõhnatut, mürgist ja väga ohtlikku gaasi. Ärge käivitage mootorit siseruumis ega suletud alal.
- Enne toote hooldamist seisake mootor ja eemaldage süüteküünla süütejühe. Seadme LB 244E puhul eemaldage ka aku.
- Lõikeosa hooldamisel kandke kaitsekindaid. Lõiketera on väga terav ja võib kergesti põhjustada löikevigastusi.
- Tootja heakskiiduta tarvikud ja muudatused toote juurest võivad põhjustada tõsisid kehavigastusi või surma. Ärge muutke toodet. Kasutage tootja heakskiidetud tarvikuid.
- Kui toodet regulaarselt ja õigesti ei hooldata, suureneb oht, et toode saab kahjustada ja võib kedagi vigastada.
- Hooldage toodet ainult selle kasutusjuhendi järgi. Muid hooldustöid tuleb lasta teha Husqvarna heakskiiduga hooldustöökjas.
- Laske toodet regulaarselt hooldada Husqvarna heakskiiduga hooldustöökjas.
- Asendage kahjustatud, kulunud ja katkised osad.

Kokkupanek

Sissejuhatus



HOIATUS: Enne seadme kokkupanemist lugege põhjalikult läbi ohutust puudutav jaotis.



HOIATUS: Enne seadme kokkupanemist eemaldage süüteküünala juhe süüteküünla küljest.

Käepideme kokkupanek

1. Tõmmake käepidet tahapoole, kuni see on lõppasendis. (Joon. 20)

2. Pingutage käepideme nupud (A). (Joon. 21)

Käepideme kõrguse reguleerimine

1. Veenduge, et kõrguse reguleerimisnupp oleks soones. Kui kõrguse reguleerimisnupp ei ole soones, vajutage kõrguse reguleerimisnupp jalaga alla. (Joon. 22)
2. Vajutage jalaga kõrguse reguleerimisnupp sisse.
3. Asetage juhtraud õigesse asendisse ja vabastage juhtraud. (Joon. 23)

Töö

Sissejuhatus



HOIATUS: Enne seadme kasutamist lugege põhjalikult läbi ohutust puudutav jaotis.

Husqvarna Connect

Husqvarna Connect on mobiilsideseadmetele mõeldud tasuta rakendus. Rakendus Husqvarna Connect annab teie Husqvarna tootele lisafunktsionaalsuse:

- Täiendav tooteteave.
- Toote osade ja hoolduse alane teave ja abi.

Toote Husqvarna Connect kasutamise alustamine

1. Laadige Husqvarna Connect rakendus oma mobiilsideseadmesse.
2. Registreeruge Husqvarna Connect rakenduses.
3. Toote ühendamiseks ja registreerimiseks järgige Husqvarna Connect rakenduse juhiseid.

Enne toote kasutamist

1. Loe kasutusjuhend põhjalikult läbi, et kõik juhised oleksid täiesti arusaadavad.
2. Veenduge, et lõikeosa oleks õigesti kinnitatud ja reguleeritud. Vt jaotist *Lõikeosa kontrollimine lk 124*.
3. Kontrolli õlitaset ja vajadusel lisa mootoriõli. Vt jaotist *Kontrollige õlitaset lk 124*.
4. Täitke kütusepaak. Vt jaotist *Kütuse tankimine lk 121*.

Kütuse tankimine

Võimaluse korral kasuta keskkonnasäästlikku kütust või alkülaatkütust. Kui keskkonnasäästlikku kütust või alkülaatkütust pole käepärast, kasuta hea kvaliteediga etüleerimata või etüleeritud bensiini, mille oktaanarv on vähemalt 91.



ETTEVAATUST: Ära kasuta bensiini, mille oktaanarv on alla 91 RON. See võib seadet kahjustada.



ETTEVAATUST: Vaheta kütusefiltrit kord aastas või vajaduse korral sagedamini. Uue kütusefiltri saab muretseda meie Husqvarna edasimüüjalt.



ETTEVAATUST: Enne kütuse tankimist seiska mootor.



ETTEVAATUST: Ära kasuta survestatud käivitusvedelikke.

1. Surve vabastamiseks avage kütusepaagi kork aeglaselt.
2. Lisage kütust aeglaselt kütusekanistrist. Mahavalgumise korral eemaldage osa kütust lapiga ja laske ülejäänul ära kuivada. (Joon. 24)
3. Puhastage kütusepaagi korgi ümbrus.
4. Keerake kütusepaagi kork korralikult kinni. Kütusepaagi korgi lõtv kinnitus põhjustab tuleohtu.
5. Enne käivitamist vii toode vähemalt 3 m kaugusele kohast, kus toimus kütusepaagi täitmine.

Toote seadmine tööasendisse

1. Paigaldage käepide. Vt jaotist *Käepideme kokkupanek lk 121*.
2. Reguleerige käepideme kõrgust. Vt jaotist *Käepideme kõrguse reguleerimine lk 121*.



ETTEVAATUST: Veenduge, et trossid pole liiga pingul. Liigne pingsus võib kahjustada kaablit, kui käepidemed pannakse transpordiasendisse.



HOIATUS: Kasutage toodet ainult juhul, kui käepide on täiesti üles liigutatud ja ühte kõrguse asendisse seatud. Vt jaotist *Käepideme kõrguse reguleerimine lk 121*.

Lõikamiskõrguse reguleerimine

Lõikamiskõrgust saab seadistada 6 erinevale kõrgusele.

1. Seisake mootor.
2. Lõikamiskõrguse suurendamiseks tõmmake lõikamiskõrguse hooba tagasisuunas. (Joon. 25)
3. Lõikamiskõrguse vähendamiseks lükake lõikamiskõrguse hooba edasisuunas.



ETTEVAATUST: Ärge seadistage lõikamiskõrgust liiga madalaks. Kui muru pole tasane, võivad lõiketerad puutuda vastu maad.

Toote käivitamine

- Veenduge, et süütejühe ja süüteküünal oleksid omavahel ühendatud.

Käsitsi käivitamine (LB 144)

1. Olge toote taga.
2. Hoidke mootori pidurikäepidet ülemise käepideme vastas. (Joon. 26)
3. Hoidke starteri nööri käepidet paremas käes.
4. Tõmmake starteri nööri väljasuunas, kuni tunnete vastujõudu.
5. Tõmmake hooga, nii et mootor käivitub.



HOIATUS: Käivitusnööri ei tohi kerida käe ümber.

Elektriline käivitamine (LB 244E)

1. Veenduge, et aku oleks laetud. Vt jaotisest *Akuhooldus (LB 244E) lk 125*.
2. Kinnitage aku mootori külge. Aku on kohale lukustunud, kui kuulete klõpsatust. (Joon. 27)
3. Seiske toote taga ja hoidke mootori pidurikäepidet (A) ülemise käepideme vastas. (Joon. 28)
4. Vajutage ja hoidke elektrilise käivituse nuppu (B) all 3–5 sekundit. Mootor käivitub.

Märkus: Kui mootor ei käivitu, oodake üks minut ja proovige toode uuesti käivitada.

Toote seiskamine

- Mootori seiskamiseks vabastage mootoripiduri käepide.

Aku eemaldamine (LB 244E)

Mootori juhusliku käivitamise ennetamiseks tuleb aku eemaldada, kui toodet ei kasutata.

- Vajuta lukustusnuppu (A) ja tõmba aku otse välja. (Joon. 29)

Hea tulemuse saavutamiseks

- Kasutage vahedat lõiketera. Nüri tera annab ebaühtlase tulemuse ja muru lõigatud osa muutub kollaseks. Terav lõiketera on nüri teraga võrreldes energiasäästlikum.
- Lõigake kuni pool muru pikkusest. Niitke kõigepealt kõrgele reguleeritud lõikamiskõrgusega. Vaadake tulemust ja seadistage lõikamiskõrgus soovitud madalamale tasemele. Kui muru on väga pikk, sõitke aeglaselt ja vajadusel niitke kaks korda.
- Niitke iga kord erinevas suunas, et ära hoida triipude tekkimist murule.
- Hoidke lõikamiskatte puhtana. Lõikamiskatte siseküljele kogunevad rohujäägid ja mustus võivad lõikamise tõhusust vähendada. Vt jaotist *Lõikekorpuse sisepinnapuhasdamine lk 123*.

Hooldamine

Sissejuhatus



HOIATUS: Enne seadme hooldamist lugege põhjalikult läbi ohutust puudutav peatükk.

Seadme hooldamiseks ja remontimiseks on vaja erioskusi. Tagame asjatundliku remondi- ja

hooldustöö. Kui edasimüüjal, kellelt toote ostsite, pole hooldustöökoda, küsige neilt teavet lähima hooldustöökoja kohta.

Lisateavet vt www.husqvarna.com.



ETTEVAATUST: Toote kallutamisel veenduge, et õhufilter oleks üleval, mitte vastu maad. Mootori kahjustamise oht.



ETTEVAATUST: Elektrilise käivitusega mudeli puhul eemaldage alati

Hooldusintervallide arvutamisel on aluseks võetud seadme igapäevane kasutamine. Intervallid muutuvad, kui seadet igapäevaselt ei kasutata.

Tärniga (*) tähistatud hooldustööde kohta leiate juhised peatükist *Toote ohutusseadised lk 119*.

Hooldus	Iga päev	Iga kuu	Igal hooajal
Tehke üldkontroll	X		
Kontrollige õlitaset	X		
Vahetage õli (esmalt pärast 5 töötundi, seejärel iga 50 töötunni järel) ⁵⁰			X
Puhastage toode	X		
Puhastage käepideme kõrguse reguleerimisnupu ümbrus	X		
Kontrollige lõikeosa	X		
Kontrollige lõikekorpust	X		
Kontrollige mootori pidurikäepidet *	X		
Kontrollige summutit *		X	
Kontrollige süüteküünalt. Vajaduse korral vahetage süüteküünal välja või puhastage seda			X
Kontrollige õhufiltrit	X		
Puhastage õhufiltrit ⁵¹		X	
Vahetage õhufilter			X
Kontrollige kütusesüsteemi			X
Puhastage silindri jahutusribisid		X	

Üldülevaatusel läbiviimine

- Veenduge, et kõik toote mutrid ja kruvid oleksid korralikult kinni pingutatud.

Toote välikorpuse puhastamine

- Eemaldage lehed, muru ja pori harja abil.
- Veenduge, et mootori peal asuv õhuvõtuava oleks takistustest vaba.
- Ärge kasutage seadme puhastamiseks survepesurit.
- Kui kasutate toote puhastamiseks vett, ärge suunake vett otse mootorile.

Käepideme kõrguse reguleerimisvarda ümbruse puhastamine

- Eemaldage lehed, muru ja pori harja abil. (Joon. 30)

Lõikekorpuse sisepehnapuhastamine

1. Tühjendage kütusepaak.
2. Kalluta toodet. Veendu, et süüteküünal on suunaga üles.

⁵⁰ Kui toode töötab suurte koormustel või on ümbritsev temperatuur kõrge, siis vaheta mootoriõli iga 25 tunni järel.

⁵¹ Tolmuste töötingimuste või lendleva prügi korral puhastage sagedamini. Vahetage õhufilter, kui see on väga must.



ETTEVAATUST: Kui toode on asetatud selliselt, et õhufilter jääb allapoole, võib mootor kahjustada saada.

3. Loputage lõikekorpuse sisepinda veega.

Lõikeosa kontrollimine



HOIATUS: Tahtmatu käivitamise ärahoidmiseks eemaldage süüteküünlalt süütejühe.



HOIATUS: Lõikeosa hooldamisel kandke kaitsekindaid. Lõiketera on väga terav ja võib kergesti põhjustada lõikevigastusi.

1. Kontrollige lõikeosa kahjustuste ja mõrade suhtes. Kahjustatud lõikeosa tuleb alati välja vahetada.
2. Kontrollige, kas lõiketera on kahjustatud või nüri.

Märkus: Teritamise järel tuleb lõiketera tasakaalustada. Lõiketera teritamine, asendamine ja tasakaalustamine usaldage hooldustehnikule. Kui toode pörkub vastu eset, mis põhjustab toote seiskumise, vahetage välja kahjustatud lõiketera. Laske hoolduskeskuses hinnata, kas tera saab teritada või tuleb see välja vahetada.

Lõiketera vahetamine

1. Lukustage lõiketera mõne puuklotsiga. (Joon. 31)
2. Eemaldage lõiketera polt ja vedruseib.
3. Eemaldage lõiketera.
4. Eemaldage lõiketera tugi ja polt ning kontrollige, kas esineb kahjustusi.
5. Kontrollige mootori võlli ja veenduge, et see poleks väändunud.
6. Uue lõiketera kinnitamisel suunake nurksed otsad lõikekorpuse poole. (Joon. 32)
7. Veenduge, et lõiketera ja mootori võlli kese oleksid kohakuti.
8. Lukustage lõiketera mõne puuklotsiga. Kinnitage vedruseib ning pingutage polti ja seihi momendiga 44–46 Nm. (Joon. 33)
9. Keerake tera käega, veendumaks, et see pöörleb vabalt.



HOIATUS: Kasutage tugevaid kindaid. Lõiketera on väga terav ja võib kergesti põhjustada lõikevigastusi.

10. Tera katsetamiseks käivitage toode. Kui tera on valesti kinnitatud, siis toode vibreerib ja niitmistulemus pole rahuldav.

Kontrollige õlitaset



ETTEVAATUST: Liiga madal õlitase võib mootorit kahjustada. Enne toote käivitamist kontrollige õlitaset.

1. Asetage toode tasasele pinnale.
2. Eemaldage õlipaagi kork koos selle küljes oleva mõõtevardaga.
3. Puhastage mõõtevarras õlist.
4. Lükake mõõtevarras täies pikkuses õlipaaki.
 - a) Ärge kinnitage õlipaagi korki tootele külge LB 144.
 - b) Kinnitage õlipaagi kork tootele külge LB 244E.
5. Eemaldage õlipaagi kork ja mõõtevarras.
6. Vaadake mõõtevardalt õlitaset.
7. Kui õlitase on madal, lisage mootoriõli ja kontrollige õlitaset uuesti. (Joon. 34)

Märkus: Kasutage mahaminemise vältimiseks lehtrit.

8. Kui õlitase on õige, paigaldage õlipaagi kork.

Mootoriõli vahetamine



HOIATUS: Vahetult pärast mootori seiskumist on mootoriõli väga kuum. Enne mootoriõli väljutamist laske mootoril maha jahtuda. Kui mootoriõli satub nahale, puhastage piirkond vee ja seebiga.

(Joon. 35)

1. Laske tootel töötada, kuni kütusepaak on tühi.
2. Eemaldage süüteküünlalt süütejühe.
3. Eemaldage õlipaagi kork koos selle küljes oleva mõõtevardaga.
4. Asetage toode alla mõni mahuti, kuhu mootoriõli saaks valguda.
5. Kallutage toodet või tühjendage õlipaak õlipumba abil (lisatarvik) mootoriõlist.
6. Lisage jaotises *Tehnilised andmed lk 128* soovitatud tüüpi uut mootoriõli.
7. Kontrollige õlitaset. Vt jaotist *Kontrollige õlitaset lk 124*.
8. Kui õlitase on õige, paigaldage õlipaagi kork.

Õhufilter

Määrduvad õhufilter võib põhjustada mootorikahjustusi või põhjustada mootori valesti töötamist. Tolmuste tingimuste korral tehke õhufiltri hooldustöid sagedamini. Vt jaotises *Hooldusgraafik lk 123* lisateavet, millal vahetada õhufiltrit.

Märkus: Kahjustatud õhufilter tuleb alati välja vahetada.

Toote (LB 244E) õhufiltri eemaldamine ja paigaldamine



HOIATUS: Kasuta kaitsekindaid.

1. Ava klambrid õhufiltri kattel.
2. Eemalda mootorilt ettevaatlikult õhufiltri kate (A).
3. Eemalda õhufilter (B). (Joon. 36)
4. Veendu, et õhufiltril poleks kahjustusi. Vahetage kahjustatud õhufilter välja.
5. Puhasta ja kontrolli õhufiltrit. Vt jaotist *Õhufiltri puhastamine (LB 244E) lk 125*.
6. Paigalda vastupidises järjestuses.

Õhufiltri puhastamine (LB 244E)

Määrduvad õhufilter võib põhjustada mootorikahjustusi või põhjustada mootori valesti töötamist. Tolmuste tingimuste korral tehke õhupuhassti hooldustöid sagedamini.

Vt jaotisest *Hooldusgraafik lk 123* lisateavet, millal vahetada õhufiltrit.

1. Eemaldage õhufiltri kate ja filter.
2. Puhastage filtrit, koputades seda vastu tasast pinda. Ärge kunagi kasutage filtri puhastamiseks suruõhku või petrooleumi sisaldavat lahustit.

Märkus: Pikka aega kasutuses olnud õhufiltreid ei saa täielikult puhastada. Vahetage õhufiltrit regulaarselt. Kahjustatud õhufilter tuleb alati vahetada.

3. Kui panete õhufiltrit kokku, siis veenduge, et on tihedasti vastu filtrihoidikut.

Vahtplastfiltri (LB 144) puhastamine



ETTEVAATUST: Ärge käivitage mootorit ilma paigaldatud õhufiltriteta. Määrduvad õhuga kulub mootor kiiremini.

1. Eemaldage õhufiltri kate (A). (Joon. 37)
2. Eemaldage vahtplastfiltrid (B).



ETTEVAATUST: Kontrollige vahtplastfiltreid kahjustuste või kulumise suhtes. Asendage kõik kahjustatud vahtplastfiltrid.

3. Puhastage vahtplastfiltreid seebi ja veega.
4. Loputage vahtplastfiltreid puhtas vees.

5. Pigistage vahtplastfiltritest vesi välja ja laske neil kuivada.



ETTEVAATUST: Ärge kasutage suruõhku. See võib vahtplastfiltrit kahjustada.

6. Määrige vahtplastfiltreid mootoriõliga.
7. Üleliigse õli eemaldamiseks suruge vahtplastfiltrile riidetükk.
8. Paigaldage vahtplastfiltrid. Veenduge, et vahtplastfiltrid liibuksid tihedalt vastu õhufiltri hoidikut.
9. Paigaldage õhufiltri kate.

Akuhooldus (LB 244E)

See aku on hooldusvaba. Akut võib vajadusel hooldada ainult volitatud hoolduskeskus.

Aku esmakordne kasutamine (LB 244E)



ETTEVAATUST: Akul ei tohi lasta tühjeneda. Kui aku tühjeneb, võib see akut kahjustada.

Aku tuleb enne esimest kasutust täis laadida.

1. Ühendage akulaadija akuga, vt jaotist *Aku laadimine (LB 244E) lk 125*.
2. Oodake, kuni süttib vähemalt üks roheline LED-tuli.
3. Kinnitage aku mootori külge, vt jaotist *Elektriline käivitamine (LB 244E) lk 122*.

Aku laadimine (LB 244E)

Kui akul põleb ainult 1 või 0 märgutuld, tuleb akut laadida. Tühi aku on täielikult laetud 2 tunniga. Aku lühemat aega laadimine ei kahjusta akut.

1. Ühendage akulaadija akuga. (Joon. 38)
2. Ühendage akulaadija 100–240 V, 50–60 Hz vooluvõrku.
3. Eemaldage laadija esmalt vooluvõrgust, seejärel eemaldage laadija aku küljest.

Aku laadimise olek

Aku LED-näidik	Status (Olek)
LED 1 vilgub punaselt.	1–9%
LED 1 on pidevalt punane.	10–32%
LED 1 on roheline ja LED 2 on punane.	33–54%
LED 1 ja 2 on rohelised ning LED 3 on punane.	55–77%
LED 1, 2 ja 3 on rohelised ning LED 4 on punane.	78–100%

Akulaadija märgutuli	Status (Olek)
Püsivalt põlev punane tuli	Aku laeb.
Püsivalt põlev roheline tuli	Aku on laetud.

Kütusepaagi tühjendamine

1. Asetage kütusepaagi alla mahuti.
2. Eemaldage kütusepaagi kork.
3. Lükake kütusevooliku voolikuklambrid vastu karburaatorit.
4. Eemaldage karburaatorilt kütusevoolik.
5. Sisestage kütusepaagi voolik mahutisse ja eemaldage voolikuklambrid.
6. Kallutage toodet, et kütus valguks kogumisanumasse.

Süüteküünla kontrollimine



ETTEVAATUST: Kasutage alati soovitatud tüüpi süüteküünalt. Vale tüüpi süüteküünal võib toodet kahjustada.

- Kontrollige süüteküünalt, kui mootori võimsus on madal, mootor ei käivitu kergesti või ei tööta tühikäigul korralikult.
- Süüteküünla elektroodidele võõrainete kogunemise ohu vähendamiseks täitke järgmisi juhiseid.
 - a) Veenduge, et tühikäigu pöörete arv on õigesti seadistatud.
 - b) Veenduge, et kütusesegu oleks õige.
 - c) Veenduge, et õhufilter oleks puhas.
- Kui süüteküünal on määrdunud, puhastage see ja kontrollige, kas elektroodide vahe on õige, vt jaotist *Tehnilised andmed lk 128*. (Joon. 39)
- Vajaduse korral vahetage süüteküünal välja.

Kütusefiltri vahetamine



HOIATUS: Kasutage kaitsekindaid.

1. Tühjendage kütusepaak.
2. Suunake voolikuklambrid kütusepaagist eemale. (Joon. 40)
3. Eemaldage kütusevoolik kütusepaagist. Väike kogus kütust võib lekkida. (Joon. 41)
4. Eemaldage kütusefilter kütusepaagist. (Joon. 42)
5. Paigaldage kütusepaaki uus kütusefilter.
6. Ühendage kütusevoolik kütusepaagiga.
7. Asetage voolikuklamber vastu kütusepaaki oma kohale.

Kütusesüsteemi kontrollimine

- Kontrollige kütusepaagi korki ja selle tihendit kahjustuste suhtes.
- Kontrollige kütusevoolikut lekete suhtes. Kahjustatud kütusevoolik laske hooldustöökojas välja vahetada.

Mootori tõrkeotsing

Probleem	Võimalik põhjus	Lahendus
Mootor ei käivitu.	Süütejuhe pole õigesti ühendatud.	Ühendage süütejuhe süüteküünlaga.
	Kütusepaak on tühi.	Täitke kütusepaak õiget tüüpi kütusega.
	Kütus on vana.	Tühjendage kütusepaak ja karburaator. Täitke uue bensiiniga.
	Karburaatoris või kütusevoolikus on mustus.	Puhastage karburaator ja/või kütusevoolik.
	Süüteküünal on kahjustatud.	Reguleerige elektroodide vahet, puhastage või vahetage välja süüteküünal.
	Süüteküünal on kütus.	Puhastage süüteküünal.
Mootor ei seisku.	Seiskamismehhanism ei tööta korralikult.	Lahutage süüteküünla süütejuhe. Laske toode remontida volitatud hooldustöökojas.

Probleem	Võimalik põhjus	Lahendus
Mootor ei tööta sujuvalt.	Süütejuhe pole õigesti ühendatud.	Ühendage süütejuhe süüteküünlaga.
	Kütusevoolikus on mustus või kütus on otsa saanud.	Puhastage kütusevoolik. Lisage kütusepaaki õiget liiki kütust.
	Kütusepaagi kork on ummistunud.	Puhastage kütusepaagi kork.
	Kütusesüsteemis on vesi või mustus.	Tühjendage kütusepaak. Lisage kütusepaaki õiget liiki kütust.
	Õhufilter on määrdunud.	Puhastage õhufilter.
	Karburaatorit tuleb reguleerida.	Laske hooldusesinduses karburaatorit reguleerida.
Mootor läheb liiga kuumaks.	Mootoriõli tase on liiga madal.	Lisage mootoriõli.
	Õhuvool pole piisav.	Puhastage õhufilter ja õhufiltri korpus.
	Karburaatorit tuleb reguleerida.	Laske hooldusesinduses karburaatorit reguleerida.
Kui mootor töötab suurel kiirusel, hakkab see töötakte vahel jätma.	Süüteküünla elektrodide vahe on liiga väike.	Reguleerige elektrodide vahet.
Normaalkoormuse korral kostub mootorist ebataolist heli.	Kasutatakse valet tüüpi bensiini.	Tühjendage kütusepaak ja karburaator. Täitke uue bensiiniga. Vt jaotisest <i>Kütusesüsteemi kontrollimine lk 126</i> . Probleemi püsimise korral pöörduge hooldustöökotta.
Mootor ei tööta tühikäigukiirusel sujuvalt.	Süüteküünal on määrdunud, kahjustatud või elektrodide vahe on liiga suur.	Reguleerige elektroodi vahet või asendage süüteküünal.
	Karburaatorit tuleb reguleerida.	Reguleerige karburaatorit.
	Õhufilter on määrdunud.	Puhastage õhufilter.

Transportimine, hoialepanek ja utiliseerimine

Transportimine ja hoiustamine

- Toote ja kütuse transportimisel ning hoiustamisel veenduge, et puuduvad lekked ja aurud. Elektriseadmetest või boileritest pärit sädemed ja lahtine leek võivad põhjustada tulekahju.
- Kütuse transportimiseks ja hoiustamiseks kasutage heakskiidetud mahuteid.
- Toote pikaks ajaks hoiale panemisel tühjendage eelnevalt kütusepaak. Kõrvaldage kütus spetsiaalses jäätmejaamas.
- Transportimisel kinnitage toode ohutult, et ära hoida kahjustusi ja õnnetusi.
- Hoidke toodet lukustatud kohas, kus sellele ei pääse juurde lapsed ega volitamata isikud.
- Hoidke toodet kuivas kohas, mis ei külmu.

Seadme seadmine transportasendisse

1. Vabastage käepideme nupud. (Joon. 43)
2. Pöörake käepide ettepoole, kuni see on jõudnud lõppasendisse. (Joon. 44)

Aku ja laadija transportimine ning hoiustamine

- Ära eemalda akut enne, kuni toode on paigal ja jahtunud. Aku eemaldamiseks hoida all aku ülaosas asuvat nuppu ja eemalda see pesast.
- Kui hoiustamisaeg on pikem kui 30 päeva, lae akut seni, kuni sellel on rohkem kui kolm rohelist tuld.
- Aku kahjustamise vältimiseks laadi akut iga kolme kuu tagant.
- Akut ja akulaadija hoiustamistemperatuur on vahemikus 5 °C kuni 40 °C. Kõrgem temperatuur

või kõrge temperatuuriga allikad, näiteks tuli, võivad akut kahjustada.

- Ärge võtke patareid lahti.
- Akut ei tohi kasta vette. Hoia akut kuivas ja jahedas kohas, kus on tagatud hea ventilatsioon.
- Kui aku eritab töö, hoiustamise või laadimise ajal lõhna, on kuum või deformeerub kuumuse tõttu, siis eemalda aku ja ära seda rohkem kasuta.
- Kahjustuste vältimiseks veendu, et aku või akulaadija on transportimise ajal kinnitatud.
- Veendu, et akulaadija ei muutuks liiga kuumaks.

Kõrvaldamine

- Järgige kohalikke jäätmekäitluseeskirju ja kehtivaid seadusi.
- Kemikaalid (nt mootoriõli ja jahutusvedelik) kõrvaldage hoolduskeskuses või spetsiaalses jäätmejaamas.
- Kui toodet enam ei kasutata, toimetage see Husqvarna edasimüüjale või kõrvaldage see taaskasutuskeskuses.
- Kõrvaldage aku hooldustöökojas või toimetage see spetsiaalsesse kasutatud akude kogumispunkti.

Tehnilised andmed

Tehnilised andmed

	LB 144	LB 244E
Mootor		
Kaubamärk	Husqvarna	Husqvarna
Mudel	HS 123A	HS 139AE
Mootori tüüp	Ühesilindriline, neljataktiline, sundõhkjahutus, OHV	Ühesilindriline, neljataktiline, sundõhkjahutus, OHV
Silindrimaht, cm ³	123	139
Mootori pöörlemissagedus – nimisagedus, p/min	3000/min	2900/min
Mootori nimivõimsus, kW ⁵²	1,95	2,2
Süütesüsteem		
Süüteküüнал	Husqvarna HQT-7	Husqvarna HQT-7
Elektroodi vahe, mm	0,7–0,8	0,7–0,8
Kütuse- ja määrimissüsteem		
Mootori määrimistüüp	Pritse	Pritse
Kütusepaagi maht, l	0,9	0,9
Õlipaagi maht, liitrit	0,5	0,5
Mootoriõli ⁵³	Husqvarna SAE 30, Husqvarna SAE 5W-30 sünteetiline, Husqvarna SAE 10W-40	Husqvarna SAE 30, Husqvarna SAE 5W-30 sünteetiline, Husqvarna SAE 10W-40

⁵² Mootori näidatud võimsusklass on vastava mootorimudeli järgi toodetud tüüpmootori keskmine netovõimsus (kindla pöörete arvu juures), mõõdetud vastavalt SAE standardile J1349/ISO1585. Masstoodangust tulnud mootoritel võib see väärtus pisut erineda. Tootele paigaldatud mootori tegelik võimsus oleneb töökiirusest, keskkonnatingimustest ja muudest teguritest.

⁵³ Kasutage vähemalt API SJ kvaliteediga mootoriõli. Kui kasutakse SAE-30 õli madalal temperatuuril kui +5 °C, siis on oht, et see ei määri mootorit piisavalt. See võib kahjustada mootorit. Vt jaotisest *Mootoriõli vahetamine lk 124*, milline on õige õli madalal temperatuuril. Vaadake mootori tootja juhendis (kui see on olemas) olevat viskoossuste tabelit ja valige vastavalt oodatavale väliskeskonna temperatuurile sobivaim viskoossus.

	LB 144	LB 244E
Kaal		
Tühjade paakidega, kg	22	23,5
Müratasemed ⁵⁴		
Helivõimsuse tase, mõõdetud dB(A)	91	92
Helivõimsuse tase, garanteeritud L _{WA} dB(A)	94	94
Helitasemed ⁵⁵		
Helirõhutase kasutaja kõrva juures, dB(A)	79	80
Vibratsioonitase ⁵⁶		
Ülemise käepideme vibratsioon, m/s ²	7,6	6,0
Lõikekorpus		
Lõikekõrgus, mm	25–75	25–75
Lõikelaius, mm	440	440
Lõikesüsteem	BioClip®	BioClip®
Lõiketera – standardne	Multš 5464584-10	Multš 5464584-10
Käivitussüsteem		
Elektriline käiviti	Ei	Jah
Aku	-	Litium-ioonaku, 10,8 V / 21,6 Wh

⁵⁴ Müraemissioon ümbritsevasse keskkonda, mõõdetud helivõimsuse tasemenähtena (L_{WA}) vastavalt EÜ direktiivile 2000/14/EÜ

⁵⁵ Mürarõhutase kohta toodud andmete statistiline dispersioon (standardhälve) on 1,2 dB(A).

⁵⁶ Vibratsioonitaseme kohta toodud andmete tüüpiline statistiline dispersioon (standardhälve) on 0,2 m/s².

Vastavusdeklaratsioon

EÜ vastavusdeklaratsioon

Husqvarna AB, SE-561 82 Huskvarna, Rootsi, tel: +46
3614 6500, kinnitab ainuvastutusel, et toode:

Kirjeldus	Muruniiduk
Kaubamärk	Husqvarna
Tüüp/mudel	LB 144, LB 244E
Identifitseerimine	Seerianumbrid alates 2023. aastast

vastab täielikult järgmistele EÜ direktiividele ja määrustele:

Määrus	Kirjeldus
2006/42/EÜ	„masinadirektiiv“
2014/30/EL	„elektromagnetilise ühilduvuse direktiiv“
2000/14/EÜ	„seadmete müra kohta käiv direktiiv“
2011/65/EL	„elektri- ja elektroonikaseadmetes teatavate ohtlike ainete kasutamise piiramise direktiiv“

ja et kohalduvad järgmised standardid ja/või tehnilised spetsifikatsioonid: EN ISO 5395-1:2013+A1:2018, EN ISO 5395-2:2013+A1:2016+A2:2017, EN IEC 63000:2018, EN ISO 14982:2009

Teavitatud asutus: 0404, SMP Svensk Maskinprovning AB, Box 4053, SE-904 03 Umeå, Sweden
kinnitab vastavust nõukogu direktiivile 2000/14/EÜ, vastavushindamise menetlus: lisa VI.

Lisateavet mürataseme kohta vt *Tehnilised andmed lk 128.*

Huskvarna, 2023-09-18



Claes Losdal, aiandustoodete arendusdirektor,
Husqvarna AB

Tehnilise dokumentatsiooni eest vastutaja



Sisällys

Johdanto.....	131	Moottorin vianmääritys.....	141
Turvallisuus.....	132	Kuljettaminen, säilyttäminen ja hävittäminen.....	142
Asentaminen.....	135	Tekniset tiedot.....	142
Käyttö.....	135	Vaatimustenmukaisuusvakuutus.....	145
Huolto.....	137		

Johdanto

Tuotekuvaus

Tuote on kävellen ohjattava ja pyörivä ruohonleikkuri. Tuotteessa on BioClip-toiminto, joka leikkaa ruohon pieniksi paloiksi ja tekee siitä lannoitetta.

Tuotteen kuvaus

(Kuva 1)

1. Moottorin jarrukahva
2. Kahva/kahvasto
3. Käynnistysköyden kahva (LB 144)
4. Leikkuukorkeuden säätövipu
5. Öljysäiliön korkki ja mittatikku
6. Äänenvaimennin
7. Sytytystulppa
8. Nostokahva
9. Kahvan korkeuden säätösanka
10. Polttoainesäiliön korkki
11. Ilmansuodatin
12. Leikkusuojus
13. Terä
14. Jousialuslevy
15. Terän pultti
16. Akku, turvalaite (LB 244E)
17. Sähkökäynnistinpainike (LB 244E)
18. Käyttöohje

Tuotteen symbolit

- (Kuva 2) **VAROITUS:** Ole varovainen ja käytä tuotetta oikein. Tämä tuote voi aiheuttaa käyttäjälle tai sivullisille vakavia vammoja tai kuoleman.
- (Kuva 3) Lue käyttöohje huolellisesti ja varmista, että ymmärrät sen sisällön ennen kuin alat käyttää tuotetta.
- (Kuva 4) Varo sinkoutuvia esineitä ja kimmokkeita.
- (Kuva 5) Pidä sivulliset ja eläimet turvallisen välimatkan päässä työalueesta.

Käyttötarkoitus

Käytä laitetta ruohon leikkuuseen. Älä käytä laitetta muihin tehtäviin.

- (Kuva 6) Varoitus: Pidä kädet ja jalat poissa pyörivän terän läheisyydestä.
- (Kuva 7) Varoitus: Pidä kädet ja jalat poissa pyörivien osien läheisyydestä.
- (Kuva 8) Pysäytä moottori ja poista sytytysjohto ennen korjaus- tai huoltotöitä.
- (Kuva 9) Tämä tuote täyttää sovellettavien EY-direktiivien vaatimukset.
- (Kuva 10) Melupäästöt ympäristöön -tarra EU:n ja Yhdistyneen kuningaskunnan direktiivien ja säädösten mukaisesti sekä Uuden Etelä-Walesin "Protection of the Environment Operations (Noise Control) Regulation 2017" -asetuksen mukaisesti. Tuotteen taattu äänentehotaso on määritelty kohdassa *Tekniset tiedot sivulla 142* ja arvokilvessä.

(Kuva 11)

Tämä tuote täyttää sovellettavien UK-säädösten vaatimukset.

- (Kuva 12) Tulipalon vaara.
- (Kuva 13) Älä hengitä pakokaasuja. Moottorin pakokaasut sisältävät hiilimonoksidia, joka on hajuuton, myrkyllinen ja erittäin vaarallinen kaasu. Älä käynnistä moottoria sisällä tai suljetuissa tiloissa.
- (Kuva 14) Kuuma pinta.
- (Kuva 16) Täytä moottori öljyllä ennen tuotteen käynnistämistä.

(Kuva 17)

LB 144 -mallin käynnistäminen: Paina moottorin jarrukahva alas ja vedä käynnistysnaru kahvasta.

(Kuva 18)

LB 244E -mallin käynnistäminen: Paina moottorin jarrukahva alas ja paina käynnistyspainiketta.

(Kuva 15) Skannattava koodi.

Huomautus: Muita tuotteen symboleita/tarroja tarvitaan muilla markkina-alueilla ilmaisemaan sertifiointivaatimuksia.

Tuotteen vaurioituminen

Emme ole vastuussa tuotteen vaurioitumisesta, jos:

- tuote on korjattu virheellisesti
- tuotteen korjaamiseen on käytetty muita kuin valmistajan omia tai sen hyväksymiä osia
- tuotteessa on muu kuin valmistajan oma tai sen hyväksymä lisävaruste
- tuotetta ei ole korjattu valtuutetussa huoltopisteessä tai hyväksytyllä asiantuntijalla.

Euro V -päästöt



VAROITUS: Moottorin muokkaaminen mitätöi tuotteen EU-tyypihyväksynnän.

Turvallisuus

Turvallisuusmääritelmät

Varoituksia, huomioita ja huomautuksia käytetään, kun jotakin käyttöohjeen osaa halutaan erityisesti korostaa.



VAROITUS: Tätä käytetään, jos käyttöohjeen noudattamatta jättämisestä voi seurata käyttäjän tai sivullisen vamma tai kuolema.



HUOMAUTUS: Tätä käytetään, jos käyttöohjeen noudattamatta jättämisestä voi ympäristön vaurioituminen.

Huomautus: Tätä käytetään tietyissä tilanteissa tarvittavien lisätietojen antamiseen.

Yleiset turvallisuusohjeet



VAROITUS: Lue seuraavat varoitukset ennen tuotteen käyttöä.

- Tämä laite on vaarallinen, jos sitä käytetään huolimattomasti tai virheellisesti. Turvaohjeiden noudattamatta jättäminen voi aiheuttaa vammoja tai kuoleman.
- Tuote muodostaa käytön aikana sähkömagneettisen kentän. Kenttä saattaa joissakin olosuhteissa häiritä aktiivisten tai passiivisten lääketieteellisten implanttien toimintaa. Vakavien tai hengenvaarallisten tapaturmien ehkäisemiseksi kehotamme lääketieteellisiä implantteja käyttäviä henkilöitä neuvottelemaan lääkärin ja lääketieteellisen implantin valmistajan kanssa ennen tuotteen käyttämistä.

Työalueen turvallisuus



VAROITUS: Lue seuraavat varoitusohjeet ennen koneen käyttämistä.

- Poista työskentelyalueelta oksat, risut ja kivet ennen tuotteen käyttämistä.

- Terävarustukseen osuvat esineet sinkoutuvat edelleen ja voivat siten aiheuttaa vahinkoa ihmisille ja esineille. Pidä sivulliset ja eläimet turvallisen välimatkan päässä tuotteesta.
- Älä koskaan käytä tuotetta huonolla säällä esimerkiksi sumussa, sateessa, kovassa tuulessa, ankarassa pakkasessa tai ukkosella. Tuotteen käyttäminen huonolla säällä tai kosteissa tai märissä olosuhteissa on raskasta. Huono sää voi aiheuttaa vaaratilanteita, kuten liukastumisvaaran.
- Varo henkilöitä, esineitä ja tilanteita, jotka voivat estää tuotteen turvallisen käytön.
- Varo esteitä, kuten juuria, kiviä, risuja, kuoppia ja oja. Pitkän ruohon seassa voi olla esteitä.
- Ruohon leikkaaminen rinteissä voi olla vaarallista. Älä käytä tuotetta rinteessä, jonka kaltevuus on yli 15°.
- Käytä tuotetta sivusuunnassa rinteeseen nähden. Älä käytä tuotetta pystysuunnassa.
- Ole varovainen läheistyessäsi piilossa olevia kulmia ja esineitä, jotka estävät näkyvyyden.

Työturvallisuus



VAROITUS: Lue seuraavat varoitusohjeet ennen laitteen käyttämistä.

- Käytä tätä tuotetta ainoastaan nurmikoiden leikkaamiseen. Tuotteita ei saa käyttää muihin käyttötarkoituksiin.
- Käytä henkilökohtaisia suojavarusteita. Katso *Henkilökohtainen suojavarustus sivulla 133*.
- Opettele pysäyttämään moottori nopeasti hätätilassa.
- Älä koskaan käynnistä moottoria suljetussa tilassa tai lähellä herkästi syttyviä materiaaleja. Moottorin pakokaasu on kuumaa ja se voi sisältää kipinöitä, jotka voivat aiheuttaa tulipalon.
- Älä käytä tuotetta, ellei sen terää ja kaikkia suojuksia ole kiinnitetty asianmukaisesti. Virheellisesti kiinnitetty terä saattaa irrota ja aiheuttaa henkilövahinkoja.
- Varmista, ettei terä osu kiviin ja juuriin. Tämä voi vaurioittaa terää, ja kampaikseli voi väantyy. Väantynyt akseli aiheuttaa voimakasta värinää. Tällöin on erittäin suuri riski, että terä irtoaa.
- Jos terä osuu esineeseen tai alkaa täristä, pysäytä tuote välittömästi. Irrota syytyskaapeli syytystulpasta. Tarkista tuote vaurioiden varalta. Korjaa vauriot tai tee korjaustyöt valtuutetussa huoltoliikkeessä.
- Älä koskaan liitä moottorin jarrukahvaa pysyvästi kahvaan moottoria käynnistettäessä.
- Aseta tuote kiinteälle, tasaiselle alustalle ja käynnistä se. Varmista, ettei terä pääse osumaan maahan tai mihinkään esineeseen.
- Ole aina tuotteen takana käyttäessäsi sitä.

- Pidä kaikki renkaat maassa ja molemmat kätesi työntöaisalla käyttäessäsi tuotetta. Pidä kätesi ja jalkasi poissa pyörivien terien läheisyydestä.
- Älä kallista tuotetta moottorin käynnistyksen aikana.
- Ole varovainen vetäessäsi tuotetta taaksepäin.
- Älä koskaan nosta tuotetta moottorin käynnistyksen aikana. Jos tuotetta täytyy nostaa, sammuta ensin moottori ja irrota syytyskaapeli syytystulpasta.
- Älä kävele taaksepäin käyttäessäsi tuotetta.
- Sammuta moottori, kun siirät tuotteen ruohottoman alueen yli, esimerkiksi ylittäessäsi sora-, kivi- tai asfalttipolkuja.
- Älä juokse tuotteen kanssa, kun moottoria käynnistetään. Kävele aina, kun käytät tuotetta.
- Sammuta moottori ennen kuin muutat leikkukorkeutta. Älä koskaan tee säätöjä moottorin käytessä.
- Älä koskaan jätä laitetta ilman valvontaa moottorin käytessä. Sammuta moottori ja varmista, ettei terävarustus pyöri.

Turvallisuusohjeet käyttöä varten

Henkilökohtainen suojavarustus



VAROITUS: Lue seuraavat varoitusohjeet ennen koneen käyttämistä.

- Henkilökohtaiset suojavarusteet eivät poista tapaturmien vaaraa, mutta ne lieventävät vammoja onnettomuustilanteessa. Anna jälleennympjään auttaa oikeiden varusteiden valinnassa.
- Käytä kuulonsuojaimia, kun melutaso on yli 85 dB.
- Käytä kestäviä luistamattomia saappaita tai kenkiä. Älä käytä avonaisia jalkineita tai kulje paljain jaloin.
- Käytä vahvakankaisia, pitkiä housuja.
- Käytä suojakäsineitä tarvittaessa, esimerkiksi terävarustuksen asennuksen, tarkastuksen ja puhdistuksen aikana.

Tuotteen turvalaitteet



VAROITUS: Lue seuraavat varoitukset ennen tuotteen käyttöä.

- Älä käytä tuotetta vahingoittuneiden tai viallisten turvalaitteiden kanssa.
- Tarkasta turvalaitteet säännöllisesti. Jos turvalaitteet ovat vahingoittuneet tai eivät toimi oikein, ota yhteys Husqvarna-huoltoliikkeeseen.
- Älä tee muutoksia turvalaitteisiin.

Leikkuusuojuksen tarkistaminen

Leikkuusuojuksen vähentää laitteen värinää ja terän aiheuttamaa tapaturmavaaraa.

- Tarkista leikkuusuojus vaurioiden, kuten halkeamien, varalta.

Akku (LB 244E)



VAROITUS: Viallinen akku heikentää tuotteen turvallisuutta. Käytä vain valmistajan hyväksymää akkua.

Akku tuottaa tehon sähkökäynnistykseen ja on samalla turvalaite, joka estää tahattoman käynnistymisen. Irrota akku, kun et käytä tuotetta tai kun jätät tuotteen ilman valvontaa.

Moottorin jarrukahvan tarkistaminen

Moottorin jarrukahva pysäyttää moottorin. Kun moottorin jarrukahva vapautetaan, moottori pysähtyy.

- Käynnistä moottori ja vapauta sitten moottorin jarrukahva. Jos moottori ei pysähdy 3 sekunnissa, anna valtuutetun Husqvarna-huoltoliikkeen säätää moottorijarru. (Kuva 19)

Äänenvaimennin

Äänenvaimennin pitää äänitason mahdollisimman alhaisena ja ohjaa moottorin pakokaasut käyttäjästä pois päin.

Älä käytä tuotetta, jos äänenvaimennin on vaurioitunut tai puuttuu kokonaan. Vaurioitunut äänenvaimennin nostaa äänitasoa ja lisää tulipalon vaaraa.



VAROITUS: Äänenvaimennin on erittäin kuuma käytön aikana, heti käytön jälkeen ja moottorin käydessä joutokäyntinopeudella. Ole varovainen syttyvien materiaalien ja/tai kaasujen läheisyydessä, jotta et aiheuta tulipaloa.

Äänenvaimentimen tarkistaminen

- Tarkista äänenvaimennin säännöllisesti vaurioiden varalta ja varmista, että se on kiinnitetty oikein.

Polttoaineturvallisuus



VAROITUS: Lue seuraavat varoitukset ennen tuotteen käyttöä.

- Älä käynnistä tuotetta, jos sen päällä on polttoainetta tai moottoriöljyä. Poista ylimääräinen polttoaine tai öljy ja anna tuotteen kuivua.
- Jos olet läikyttänyt polttoainetta vaatteillesi, vaihda vaatteet heti.
- Varo, ettei iholle pääse polttoainetta, sillä se voi aiheuttaa vamman. Jos ihollesi joutuu polttoainetta, pese se pois vedellä ja saippualla.
- Älä käynnistä tuotetta, jos moottori vuotaa. Tarkista moottori säännöllisesti vuotojen varalta.

- Käsittele polttoainetta varoen. Polttoaine on syttyvää ja kaasut ovat räjähdysherkkiä, mikä voi aiheuttaa tapaturman tai kuoleman.
- Älä hengitä polttoainehöyryjä, sillä ne voivat aiheuttaa vamman. Varmista, että ilmanvirtaus on riittävä.
- Älä tupakoi polttoaineen tai moottorin lähistöllä.
- Älä sijoita lämpimiä esineitä polttoaineen tai moottorin lähelle.
- Älä lisää polttoainetta, kun moottori on käynnissä.
- Varmista ennen polttoaineen lisäämistä, että moottori on jäähtynyt.
- Ennen kuin lisäät polttoainetta, avaa polttoainesäiliön korkki hitaasti ja vapauta paine varovasti.
- Älä lisää polttoainetta moottoriin sisätilassa. Jos ilmanvirtaus ei ole riittävä, tukehtuminen tai hiilimonoksidin hengittäminen voi aiheuttaa vamman tai kuoleman.
- Kiristä polttoainesäiliön korkki tiukasti. Polttoainesäiliön korkin riittämätön kiristys aiheuttaa tulipalovaaran.
- Siirrä tuote ennen käynnistystä vähintään 3 metrin / 10 jalan päähän paikasta, jossa lisäsit polttoainetta.
- Älä täytä polttoainesäiliötä täyteen. Kuumuus saa polttoaineen laajenemaan. Jätä polttoainesäiliön päälle tyhjää tilaa.
- Älä koskaan säilytä polttoainetta sisältävää tuotetta tiloissa, joissa on mahdollisia kipinälähteitä, kuten kuumavesivaraaja, patteri tai pyykinkuivaaja. Anna moottorin jäähtyä, ennen kuin viet koneen sisälle.

Turvaohjeet huoltoa varten



VAROITUS: Lue seuraavat varoitusohjeet ennen koneen käyttämistä.

- Moottorin pakokaasut sisältävät hiilimonoksidia, joka on hajuton, myrkyllinen ja erittäin vaarallinen kaasu. Älä käynnistä moottoria sisällä tai suljetuissa tiloissa.
- Jos tuotetta täytyy huoltaa, sammuta ensin moottori ja irrota sytytyskaapeli sytytystulpasta. LB 244E -mallia käytettäessä myös akku on irrotettava.
- Käytä suojakäsineitä huoltaessasi terävarustusta. Terä on erittäin terävä ja aiheuttaa helposti haavoja.
- Lisävarusteet ja muut kuin valmistajan hyväksymät muutokset tuotteeseen voivat aiheuttaa vakavan vamman tai kuoleman. Älä tee tuotteeseen muutoksia. Käytä vain valmistajan hyväksymiä lisävarusteita.
- Jos tuotetta ei ole huollettu asianmukaisesti ja säännöllisesti, tapaturmien ja tuotteen vaurioitumisen vaara kasvaa.
- Huolla tuote ainoastaan käyttöohjekirjassa annettujen ohjeiden mukaisesti. Kaikki muut huoltotoimet on tehtävä valtuutetussa Husqvarna-huoltoliikkeessä.

- Anna valtuutetun Husqvarna-huoltoliikkeen huoltaa tuote säännöllisesti.

- Vaihda vaurioituneet, kuluneet tai rikkoutuneet osat.

Asentaminen

Johdanto



VAROITUS: Ennen kuin asennat laitteen, lue turvallisuutta käsittelevä luku niin, että ymmärrät sen sisällön.



VAROITUS: Irrota sytytystulpan johto sytytystulpasta ennen laitteen asentamista.

Kahvan asentaminen

1. Vedä kahvaa taaksepäin, kunnes se on ääriasennossa. (Kuva 20)

2. Kiristä kahvan nupit. (Kuva 21)

Kahvan korkeuden säätäminen

1. Varmista, että korkeuden säätösanka on urassa. Paina korkeuden säätösankaa alaspäin jalallasi, jos säätösanka ei ole urassa. (Kuva 22)
2. Paina korkeuden säätösankaa jalalla.
3. Aseta kahva oikeaan asentoon ja vapauta se. (Kuva 23)

Käyttö

Johdanto



VAROITUS: Lue turvallisuutta käsittelevä luku niin, että ymmärrät sen sisällön, ennen laitteen käyttämistä.

Husqvarna Connect

Husqvarna Connect on ilmainen mobiililaitesovellus. Husqvarna Connect -sovellus saat lisätoimintoja Husqvarna-koneeseen:

- Enemmän tuotetietoja.
- Tietoja koneen osista ja huolto-ohjeita.

Husqvarna Connect -käytön aloittaminen

1. Lataa Husqvarna Connect -sovellus mobiililaitteeseesi.
2. Rekisteröi Husqvarna Connect -sovelluksessa.
3. Liitä ja rekisteröi kone Husqvarna Connect -sovelluksen ohjeiden mukaan.

Ennen laitteen käyttöä

1. Lue käyttöohje huolellisesti ja varmista, että ymmärrät sen sisältämät ohjeet.
2. Tutki terävarustus ja varmista, että se on kiinnitetty ja säädetty asianmukaisesti. Katso kohta *Terävarustuksen tarkistaminen sivulla 138*.
3. Tarkista öljytaso ja lisää moottoriöljyä tarvittaessa. Katso kohta *Öljyn määrän tarkistaminen – sivulla 138*.
4. Täytä polttoainesäiliö. Katso kohta *Polttoaineen lisääminen sivulla 135*.

Polttoaineen lisääminen

Käytä mahdollisuuksien mukaan ympäristöä säästävää bensiiniä tai alkylaattibensiiniä. Jos ympäristöä säästävää bensiiniä tai alkylaattibensiiniä ei ole saatavilla, käytä lyijytöntä tai lyijyllistä laatubensiiniä, jonka oktaaniluku on vähintään 91.



HUOMAUTUS: Älä käytä bensiiniä, jonka oktaaniluku on pienempi kuin 91 RON. Se voi vaurioittaa laitetta.



HUOMAUTUS: Vaihda polttoainesuodatin vuosittain tai tarpeen mukaan useammin. Voit hankkia uuden polttoainesuodattimen Husqvarna -jälleenmyyjältäsi.



HUOMAUTUS: Sammuta moottori aina ennen polttoaineen lisäämistä.



HUOMAUTUS: Älä käytä paineistettuja käynnistysnesteitä.

1. Vapauta polttoainesäiliöstä painetta avaamalla polttoainesäiliön korkki hitaasti.
2. Kaada polttoainesäiliöön hitaasti polttoainetta. Jos polttoainetta läikkyi, pyyhi aine pois liinalla ja anna polttoainejäämien kuivua. (Kuva 24)
3. Pyyhi polttoainesäiliön korkin ympäristö puhtaaksi.

4. Kiristä polttoainesäiliön korkki tiukasti. Polttoainesäiliön korkin riittämätön kiristys aiheuttaa tulipalovaaran.
5. Siirrä tuote ennen käynnistystä vähintään 3 metrin / 10 jalan päähän paikasta, jossa lisäsit polttoainetta.

Laitteen asettaminen käyttöasentoon

1. Kahvan asentaminen. Katso *Kahvan asentaminen sivulla 135*.
2. Säädä kahvan korkeus. Katso *Kahvan korkeuden säätäminen sivulla 135*.



HUOMAUTUS: Varmista, että kaapelit eivät ole liian kireällä. Kiristäminen liian tiukalle voi vahingoittaa kaapelia, kun kahva käännetään kuljetusasentoon.



VAROITUS: Älä käytä tuotetta, ellei kahva ole kokonaan taitettu ylös ja asetettu johonkin soveltuvaan korkeusasentoon. Katso *Kahvan korkeuden säätäminen sivulla 135*.

Leikkuukorkeuden asettaminen

Leikkuukorkeuden säädössä on 6 korkeutta.

1. Pysäytä moottori.
2. Lisää leikkuukorkeutta siirtämällä leikkuukorkeuden säätövipua taaksepäin. (Kuva 25)
3. Vähennä leikkuukorkeutta siirtämällä leikkuukorkeuden säätövipua eteenpäin.



HUOMAUTUS: Älä aseta leikkuukorkeutta liian alhaiseksi. Jos ruohikon pinta ei ole tasainen, terät voivat osua maahan.

Laitteen käynnistäminen

- Varmista, että sytytyskaapeli on liitettyä sytytystulppaan.

Manuaalinen käynnistys (LB 144)

1. Seiso tuotteen takana.
2. Pidä moottorijarrun kahvaa yläkahvaa vasten. (Kuva 26)
3. Pitele käynnistysnarun kahvaa oikealla kädelläsi.
4. Vedä käynnistysnarusta hitaasti, kunnes tunnet hieman vastusta.

5. Käynnistä moottori vetämällä voimakkaasti.



VAROITUS: Älä kiedo käynnistysnarua kätesi ympärille.

Sähkökäynnistys (LB 244E)

1. Varmista, että akku on ladattu. Katso kohdasta *Akun huolto (LB 244E) sivulla 139*.
2. Kiinnitä akku moottoriin. Akku lukittuu paikalleen, kun kuulet napsahduksen. (Kuva 27)
3. Pysy tuotteen takana ja pidä moottorin jarrukahvaa (A) ylempää työntöaisaa vasten. (Kuva 28)
4. Paina sähkökäynnistyspainiketta (B) 3–5 sekunnin ajan. Moottori käynnistyy.

Huomautus: Jos moottori ei käynnisty, odota minuutti ja yritä käynnistää tuote uudelleen.

Laitteen pysäyttäminen

- Pysäytä moottori vapauttamalla moottorin jarrukahva.

Akun irrottaminen (LB 244E)

Estä moottorin tahaton käynnistyminen irrottamalla laitteen akku, kun laitetta ei käytetä.

- Paina lukituspainikkeita (A) ja vedä akku suoraan ulos. (Kuva 29)

Hyvän tuloksen saavuttaminen

- Käytä aina hyvin teroitettua terää. Tylsä terä leikkaa epätasaisesti ja ruohosta tulee keltaista leikatun pinnan kohdalta. Hyvin teroitettu terä käyttää myös tylsää terää vähemmän energiaa.
- Älä leikkaa enempää kuin 1/3 ruohon pituudesta. Aseta leikkuukorkeus ensimmäisellä leikkuukerralla korkeaksi. Tutkittuasi leikkuutuloksen voit laskea leikkuukorkeuden haluamalle tasolle. Jos ruoho on erittäin pitkä, kulje hitaasti ja leikkaa nurmikko tarvittaessa kaksi kertaa.
- Leikkaa joka kerta eri suuntiin, jotta nurmikkoon ei tule raitoja.
- Pidä leikkuusuojaus puhtaana. Leikkuusuojuksen sisäpuolelle kertynyt ruoho ja liika voivat heikentää leikkuutuloksia. Katso kohta *Leikkuusuojuksen sisäpinnan puhdistaminen sivulla 138*.

Yleistarkastus

- Varmista, että laitteen kaikki ruuvit ja mutterit on kiristetty oikein.

Laitteen puhdistaminen ulkopuolelta

- Poista lehdet, ruoho ja lika harjalla.
- Varmista, ettei moottorin yläosassa sijaitseva ilmanottoaukko ole tukkeutunut.
- Älä käytä laitteen puhdistamiseen painepesuria.
- Jos käytät tuotteen puhdistamiseen vettä, älä suihkuta vettä suoraan moottoriin.

Kahvan korkeuden säätöosangan alueen puhdistaminen

- Poista lehdet, ruoho ja lika harjalla. (Kuva 30)

Leikkuusuojuksen sisäpinnan puhdistaminen

1. Tyhjennä polttoainesäiliö.
2. Kallista tuotetta. Varmista, että sytytystulppa osoittaa ylöspäin.



HUOMAUTUS: Jos laite asetetaan ilmansuodatin alaspäin, moottori saattaa vaurioitua.

3. Pese leikkuusuojuksen sisäpinta vesiletkulla.

Terävarustuksen tarkistaminen



VAROITUS: Estä tuotteen tahaton käynnistyminen irrottamalla sytytyskaapeli sytytystulpasta.



VAROITUS: Käytä suojakäsineitä huoltaessasi terävarustusta. Terä on erittäin terävä ja aiheuttaa helposti haavoja.

1. Tutki terävarustus vaurioiden tai halkeamien varalta. Vaurioitunut terävarustus on aina vaihdettava.
2. Tarkista, onko terä vaurioitunut tai tylsä.

Huomautus: Terä on tasapainotettava oikein teroituksen jälkeen. Anna huoltoliikkeen teroittaa, vaihtaa ja tasapainottaa terä. Jos osut esteeseen niin, että tuote pysähtyy, vaihda vaurioitunut terä. Anna huoltoliikkeen arvioida, voiko terän teroittaa vai onko se vaihdettava.

Terän vaihtaminen

1. Lukitse terä puukiilalla. (Kuva 31)
2. Irrota terän pultti ja jousialuslevy.
3. Irrota terä.

4. Tutki terän tuki ja teräpultti vaurioiden varalta.
5. Tutki kampiakseli ja varmista, ettei se ole vääntynyt.
6. Asenna uusi terä siten, että terän taitetut kulmat osoittavat leikkuusuojuksen suuntaan. (Kuva 32)
7. Varmista, että terä on kohdistettu kampiakselin keskiosan kanssa.
8. Lukitse terä puukiilalla. Kiinnitä jousialuslevy paikalleen ja kiristä pultti ja aluslevy momenttiin 44-46 Nm. (Kuva 33)
9. Pyöritä terää käsin ja varmista, että se pyörii vapaasti.



VAROITUS: Käytä paksuja käsineitä. Terä on erittäin terävä ja aiheuttaa helposti haavoja.

10. Testaa terää käynnistämällä tuote. Jos terä ei ole kiinnitetty asianmukaisesti, tuote tärisee tai sen leikkuutulokset eivät ole tyydyttävät.

Öljyn määrän tarkistaminen –



HUOMAUTUS: Liian alhainen öljytaso voi vaurioittaa moottoria. Tarkista öljytaso ennen kuin käynnistät tuotteen.

1. Aseta tuote tasaiselle alustalle.
2. Irrota polttoainesäiliön korkki ja mittatikku.
3. Pyyhi mittatikku puhtaaksi öljystä.
4. Työnnä mittatikku kokonaan öljysäiliöön.
 - a) Älä laita öljysäiliön korkkia paikalleen, jos kyseessä on LB 144.
 - b) Laita öljysäiliön korkki paikalleen, jos kyseessä on LB 244E.
5. Irrota öljysäiliön korkki ja mittatikku.
6. Tarkista öljytaso mittatikusta.
7. Jos öljytaso on alhainen, lisää moottoriöljyä ja tarkista öljytaso uudelleen. (Kuva 34)

Huomautus: Käytä suppiloa läikkymisen välttämiseksi.

8. Laita öljysäiliön korkki paikalleen, kun öljytaso on oikea.

Moottoriöljyn vaihtaminen



VAROITUS: Moottoriöljy on erittäin kuumaa moottorin sammuttamisen jälkeen. Anna moottorin jäähtyä ennen kuin valutat moottoriöljyn pois moottorista. Jos moottoriöljyä joutuu iholle, pese öljy pois vedellä ja saippualla.

(Kuva 35)

1. Käytä tuotetta, kunnes polttoainesäiliö on tyhjä.

2. Irrota sytytyskaapeli sytytystulpasta.
3. Irrota öljysäiliön korkki ja mittatikku.
4. Aseta tuotteen alle säiliö, johon valutat öljyn.
5. Kallista tuotetta tai tyhjennä moottoriöljy öljysäiliöstä öljypumpulla (lisävaruste).
6. Lisää uutta moottoriöljyä, jota suositellaan kohdassa *Tekniset tiedot sivulla 142*.
7. Tarkista öljytaso. Katso kohta *Öljyn määrän tarkistaminen – sivulla 138*.
8. Laita öljysäiliön korkki paikalleen, kun öljytaso on oikea.

Ilmansuodatin

Likainen ilmansuodatin voi vaurioittaa moottoria tai aiheuttaa toimintahäiriöitä. Huolla ilmansuodatin tavallista useammin pölyisissä oloissa. Katso kohdasta *Huoltokaavio sivulla 137* lisätietoja ilmansuodattimen vaihtamisen ajankohdasta.

Huomautus: Vaurioitunut ilmansuodatin on aina vaihdettava.

Ilmansuodattimen irrottaminen ja asentaminen (LB 244E)



VAROITUS: Käytä suojakäsineitä.

1. Paina ilmansuodattimen kannen kiinnikkeitä.
2. Irrota ilmansuodattimen kansi (A) varovasti moottorista.
3. Irrota ilmansuodatin (B). (Kuva 36)
4. Tarkista ilmansuodatin vaurioiden varalta. Vaihda vaurioitunut ilmansuodatin.
5. Puhdista ja tarkista ilmansuodatin. Katso kohta *Ilmansuodattimen puhdistaminen – (LB 244E) sivulla 139*.
6. Asenna päinvastaisessa järjestyksessä.

Ilmansuodattimen puhdistaminen – (LB 244E)

Likainen ilmansuodatin voi vaurioittaa moottoria tai aiheuttaa toimintahäiriöitä. Huolla ilmansuodatin tavallista useammin pölyisissä oloissa.

Katso kohdasta *Huoltokaavio sivulla 137* lisätietoja ilmansuodattimen vaihtamisen ajankohdasta.

1. Irrota ilmansuodattimen kansi ja ilmansuodatin.
2. Puhdista suodatin napauttamalla sitä tasaista pintaa vasten. Älä koskaan käytä suodattimen puhdistamiseen bensiiniä tai kerosiiniä sisältävää liuotinta äläkä paineilmaa.

Huomautus: Pitkään käytössä olleita ilmansuodattimia ei voi puhdistaa täysin. Vaihda

ilmansuodatin säännöllisin väliajoin. Vaurioitunut ilmansuodatin on aina vaihdettava.

3. Kun asennat ilmansuodattimen, varmista, että se asetuu tiiviisti suodattimen pidintä vasten.

Vaahтомуovisuodattimen puhdistaminen (LB 144)



HUOMAUTUS: Älä käynnistä moottoria, jos ilmansuodattimet eivät ole paikallaan. Likainen ilma lisää moottorin kulumista.

1. Irrota ilmansuodattimen kansi (A). (Kuva 37)
2. Poista vaahтомуovisuodattimet (B).



HUOMAUTUS: Tutki vaahтомуovisuodattimet vaurioiden tai kulumisen varalta. Vaihda kaikki vaurioituneet vaahтомуovisuodattimet.

3. Puhdista vaahтомуovisuodattimet vedellä ja saippualla.
4. Huuhtelee vaahтомуovisuodattimet puhtaalla vedellä.
5. Purista vaahтомуovisuodattimista vesi ja anna suodattimien kuivua.



HUOMAUTUS: Älä käytä paineilmaa. Se voi vaurioittaa vaahтомуovisuodatinta.

6. Voitele vaahтомуovisuodattimet moottoriöljyllä.
7. Poista ylimääräinen öljy painamalla puhdas liina vaahтомуovisuodatinta vasten.
8. Asenna vaahтомуovisuodattimet. Varmista, että vaahтомуovisuodattimet asettuvat tiiviisti ilmansuodattimien pidintä vasten.
9. Asenna ilmansuodattimen kansi.

Akun huolto (LB 244E)

Akku on huoltovapaa. Jos jokin huoltotoimi kuitenkin on tarpeen, vain valtuutettu huoltoliike saa huoltaa akun.

Akun ensimmäinen käyttökerta (LB 244E)



HUOMAUTUS: Älä anna akun tyhjentyä. Jos akku tyhjenee, se voi vaurioitua.

Akku on ladattava ennen ensimmäistä käyttökertaa.

1. Kytke akkulaturi akkuun, katso kohta *Akun lataaminen (LB 244E) sivulla 140*.
2. Odota, kunnes vähintään yksi vihreä merkkivalo syttyy
3. Kiinnitä akku moottoriin, katso kohta *Sähkökäynnistys (LB 244E) sivulla 136*.

Akun lataaminen (LB 244E)

Jos akun merkkivaloista yksikään ei pala tai vain yksi palaa, akku on ladattava. Tyhjä akku latautuu täyteen kahdessa tunnissa. Akun lataaminen lyhemmissä ajanjaksoissa ei vaurioita akkua.

1. Liitä akkulaturi akkuun. (Kuva 38)
2. Kytke akkulaturi pistorasiaan, 100–240 V, 50–60 Hz.
3. Irrota laturi ensin pistorasiasta ja sitten laturi akusta.

Akun latauksen tila

Akun LED-näyttö	Status (Tila)
Merkkivalo 1 vilkkuu punaisena.	1–9 %
Merkkivalo 1 palaa punaisena.	10–32 %
Merkkivalo 1 on vihreä ja merkkivalo 2 punainen.	33–54 %
Merkkivalot 1 ja 2 ovat vihreitä ja merkkivalo 3 punainen.	55–77 %
Merkkivalot 1, 2 ja 3 ovat vihreitä ja merkkivalo 4 punainen.	78–100 %

Akkulaturin merkkivalo	Status (Tila)
Tasainen punainen valo	Akku latautuu.
Tasainen vihreä valo	Akku on ladattu täyteen.

Sytytystulpan tarkistus



HUOMAUTUS: Käytä aina suositeltua sytytystulppaa. Väärä sytytystulpan tyyppi saattaa vaurioittaa tuotetta.

- Tarkista sytytystulppa, jos moottorin teho on heikko, moottoria on vaikea saada käyntiin tai se ei toimi oikein joutokäyntinopeudella.
- Ehkäise ylimääräisen materiaalin joutuminen sytytystulpan elektrodeihin noudattamalla seuraavia ohjeita:

- a) Varmista, että joutokäyntinopeus on säädetty oikein.
 - b) Varmista, että polttoaineseos on oikea.
 - c) Varmista, että ilmansuodatin on puhdas.
- Jos sytytystulppa on karstoittunut, puhdista se ja tarkista samalla, että kärkiväli on oikea. Katso *Tekniset tiedot sivulla 142*. (Kuva 39)
 - Vaihda sytytystulppa tarvittaessa.

Polttoainejärjestelmän tarkistaminen

- Tutki polttoainesäiliön korkki ja polttoainesäiliön korkin tiiviste vaurioiden varalta.
- Tutki polttoaineletku vuotojen varalta. Jos polttoaineletku on vaurioitunut, vaihdata se huoltoliikkeessä.

Polttoainesäiliön tyhjentäminen

1. Aseta astia polttoainesäiliön alle.
2. Poista polttoainesäiliön korkki.
3. Paina polttoaineletkun kiristimet kaasutinta vasten.
4. Irrota polttoaineletku kaasuttimesta.
5. Aseta polttoainesäiliön letku astiaan ja irrota letkun kiristimet.
6. Kallista tuotetta ja anna polttoaineen valua astiaan.

Polttoainesuodattimen vaihtaminen



VAROITUS: Käytä suojakäsineitä.

1. Tyhjennä polttoainesäiliö.
2. Siirrä letkuklemmari sivuun polttoainesäiliöstä. (Kuva 40)
3. Irrota polttoaineletku polttoainesäiliöstä. Pieni määrä polttoainetta voi vuotaa ulos. (Kuva 41)
4. Irrota polttoainesuodatin polttoainesäiliöstä. (Kuva 42)
5. Asenna uusi polttoainesuodatin polttoainesäiliöön.
6. Kiinnitä polttoaineletku polttoainesäiliöön.
7. Aseta letkuklemmari polttoainesäiliötä vasten.

Moottorin vianmääritys

Ongelma	Mahdollinen syy	Ratkaisu
Moottori ei käynnisty.	Sytytyskaapelia ei ole liitetty oikein.	Kytke sytytyskaapeli sytytystulppaan.
	Polttoainesäiliö on tyhjä.	Täytä polttoainesäiliö oikeantyyppisellä polttoaineella.
	Polttoaine on vanhaa.	Tyhjennä polttoainesäiliö ja kaasutin. Täytä uudella polttoaineella.
	Kaasuttimessa tai polttoainejärjestelmässä on likaa.	Puhdista kaasutin ja/tai polttoaineen syöttöletku.
	Sytytystulppa on vaurioitunut.	Säädä kärkiväli tai puhdista tai vaihda sytytystulppa.
	Sytytystulpassa on polttoainetta.	Puhdista sytytystulppa.
Moottori ei pysähdy.	Pysäytysmekanismi ei toimi oikein.	Irrota sytytyskaapeli sytytystulpasta. Korjauta tuote valtuutetussa huoltoliikkeessä.
Moottori ei käy tasaisesti.	Sytytyskaapelia ei ole liitetty oikein.	Kytke sytytyskaapeli sytytystulppaan.
	Polttoaineletkussa on likaa tai polttoaine on vanhentunutta.	Puhdista polttoaineletku. Täytä polttoainesäiliö uudella oikeantyyppisellä polttoaineella.
	Polttoainesäiliön korkissa on tukos.	Puhdista polttoainesäiliön korkki.
	Polttoainejärjestelmässä on vettä tai likaa.	Tyhjennä polttoainesäiliö. Täytä polttoainesäiliö uudella oikeantyyppisellä polttoaineella.
	Ilmansuodatin on likainen.	Puhdista ilmansuodatin.
	Kaasutinta on säädettävä.	Säädätä kaasutin valtuutetussa huolto- liikkeessä.
Moottori kuumenee liikaa.	Moottoriöljyn taso on liian alhainen.	Lisää moottoriöljyä.
	Ilmavirtaus ei ole riittävä.	Puhdista ilmansuodatin ja ilmansuodattimen kotelo.
	Kaasutinta on säädettävä.	Säädätä kaasutin valtuutetussa huolto- liikkeessä.
Moottori katkoo kun se käy kovalla nopeudella.	Sytytystulppien kärkiväli on liian pieni.	Säädä kärkiväliä.
Moottorista kuuluu epätavallisia ääniä normaalissa kuormassa.	Vääräntyyppinen polttoaine.	Tyhjennä polttoainesäiliö ja kaasutin. Täytä uudella polttoaineella. Katso kohdasta <i>Polttoainejärjestelmän tarkistaminen sivulla 140</i> . Jos ongelma jatkuu, ota yhteys paikalliseen huolto- liikkeeseen.

Ongelma	Mahdollinen syy	Ratkaisu
Moottori ei toimi joutokäyntinopeudella tasaisesti.	Sytytystulppa on likainen tai vaurioitunut tai kärkiväli on liian suuri.	Säädä kärkiväli tai vaihda sytytystulppa.
	Kaasutinta on säädettävä.	Säädä kaasutin.
	Ilmansuodatin on likainen.	Puhdista ilmansuodatin.

Kuljettaminen, säilyttäminen ja hävittäminen

Kuljetus ja säilytys

- Kun säilytät ja kuljetat tuotetta ja polttoainetta, varmista, ettei tuote vuoda polttoainetta tai polttoainehöyryä. Esimerkiksi sähkölaitteista tai lämmityskattiloista peräisin olevat kipinät tai avotuli voivat aiheuttaa tulipalon.
- Käytä polttoaineen säilytyksessä ja kuljettamisessa aina hyväksytyjä polttoainesäiliöitä.
- Tyhjennä tuotteen polttoainesäiliö, jos varastoit tuotteen pitkäksi ajaksi. Hävitä polttoaine viemällä se asianmukaiseen keräyspisteeseen.
- Vältä onnettomuudet ja tuotteen vaurioituminen kiinnittämällä tuote turvallisesti kuljetuksen ajaksi.
- Säilytä tuotetta lukitussa varastossa, jonne lapset ja asiattomat henkilöt eivät pääse.
- Säilytä tuotetta kuivassa paikassa, jossa lämpötila ei laske pakkasen puolelle.

- Jos säilytysaika on yli 30 päivää, lataa akkua, kunnes siinä näkyy yli 3 vihreää merkkipaloa.
- Lataa akku kerran kolmessa kuukaudessa, jotta se ei vaurioidu.
- Akkua ja akkulatoria on säilytettävä 5–40 °C:n lämpötilassa. Tätä korkeampi lämpötila tai lämmönlähteet, kuten tuli, voivat vahingoittaa akkua.
- Älä pura paristoa.
- Älä upota akkua veteen. Säilytä akkua viileässä ja kuivassa paikassa, jossa on hyvä ilmavirtaus.
- Jos akku haisee tai kuumenee tai jos kuumuus aiheuttaa akun vääntymisen käytön, säilytyksen tai lataamisen aikana, irrota akku äläkä käytä sitä.
- Varmista, että akku ja akkulaturi on kiinnitetty kuljetuksen ajaksi, jotta ne eivät vahingoitu.
- Varmista, että akkulaturi ei kuumene liikaa.

Hävittäminen

- Noudata paikallisia kierrätysvaatimuksia ja säädöksiä.
- Hävitä kaikki kemikaalit, kuten moottoriöljy ja jäätyminenestoaine viemällä ne huoltoliikkeeseen tai asianmukaiseen keräyspisteeseen.
- Kun tuote tulee elinkaarensa päähän, hävitä tuote lähettämällä se Husqvarna-jälleenmyyjälle tai kierrätyspisteeseen.
- Toimita akku huoltoliikkeeseen tai vie se käytettyjen akkujen keräyspisteeseen.

Laitteen asettaminen kuljetusasentoon

- Löysää kahvan nupit. (Kuva 43)
- Taita kahvaa eteenpäin, kunnes se on ääriasennossa. (Kuva 44)

Akun ja laturin kuljetus ja varastointi

- Älä irrota akkua, ennen kuin laite on paikallaan ja jäähtynyt. Irrota akku pitämällä akun päällä olevaa painiketta painettuna ja irrottamalla akku paikaltaan.

Tekniset tiedot

Tekniset tiedot

	LB 144	LB 244E
Moottori		
Tuotemerkki	Husqvarna	Husqvarna
Malli	HS 123A	HS 139AE
Moottorin tyyppi	Yksisylinterinen, nelitahtinen, paineilmajäähdytys, OHV	Yksisylinterinen, nelitahtinen, paineilmajäähdytys, OHV

	LB 144	LB 244E
Iskutilavuus, cm ³	123	139
Moottorin nopeus – nimellinen, r/min	3 000/min	2 900/min
Moottorin nimellisteho, kW ⁵⁹	1,95	2,2
Sytytysjärjestelmä		
Sytytystulppa	Husqvarna HQT-7	Husqvarna HQT-7
Kärkiväli, mm	0,7–0,8	0,7–0,8
Polttoaine-/voitelujärjestelmä		
Moottorin voitelun tyyppi	Roiske	Roiske
Polttoainesäiliön tilavuus, l	0,9	0,9
Öljysäiliön tilavuus, l	0,5	0,5
Moottoriöljy ⁶⁰	Husqvarna SAE 30, Husqvarna SAE 5W-30 (syn-teettinen), Husqvarna SAE 10W-40	Husqvarna SAE 30, Husqvarna SAE 5W-30 (syn-teettinen), Husqvarna SAE 10W-40
Paino		
Säiliöt tyhjinä, kg	22	23,5
Melupäästöt ⁶¹		
Äänentehotaso, mitattu dB(A)	91	92
Äänentehotaso, taattu L _{WA} dB(A)	94	94
Äänitasot ⁶²		
Äänenpainetaso käyttäjän korvan tasalla, dB(A)	79	80
Tärinätasot ⁶³		
Tärinä, ylempi työntöaisa, m/s ²	7,6	6,0
Terävarustus		
Leikkuukorkeus, mm	25–75	25–75
Leikkuuleveys, mm	440	440
Leikkuujärjestelmä	BioClip®	BioClip®
Terä, vakio	Silppuava 5464584-10	Silppuava 5464584-10

⁵⁹ Moottorin ilmoitettu nimellisteho on moottorimallia edustavan tyypillisen tuotantomoottorin keskimääräinen nettoteho (rpm) mitattuna SAE-standardin J1349/ISO1585 mukaisesti. Massatuotantomoottorit voivat poiketa tästä arvosta. Tuotteeseen asennetun moottorin todellinen lähtöteho riippuu käyttönopeudesta, ympäristön olosuhteista ja muista arvoista.

⁶⁰ Käytä vähintään laatuvalokituksen API SJ moottoriöljyä. Jos SAE-30-öljyä käytetään alle +5 °C:n lämpötilassa, öljy ei välttämättä voitele moottoria riittävästi. Se voi vahingoittaa moottoria. Katso kohdasta *Moottoriöljyn vaihtaminen sivulla 138* tiedot alhaisiin lämpötiloihin sopivasta öljystä. Tarkista viskositeetti moottorin käyttöoppaassa (jos sellainen on saatavilla) olevasta viskositeettikaaviosta ja valitse sopiva viskositeetti ulkolämpötilan perusteella.

⁶¹ Melupäästö ympäristöön äänitehona (L_{WA}) EY-direktiivin 2000/14/EY mukaisesti mitattuna.

⁶² Äänenpainetasoista ilmoitettujen tietojen tyypillinen tilastollinen hajonta (keskihajonta) on 1,2 dB(A).

⁶³ Tärinätasolle ilmoitetuissa tiedoissa tyypillinen tilastollinen hajonta (vakiopoikkeama) on 0,2 m/s².

	LB 144	LB 244E
Käynnistysjärjestelmä		
Sähkökäynnistys	Ei	Kyllä
Akku	-	Li-ion, 10,8 V / 21,6 Wh

Vaatimustenmukaisuusvakuutus

EU-vaatimustenmukaisuusvakuutus

Husqvarna AB, SE-561 82 Huskvarna, Ruotsi, puh. +46
36 146500, vakuuttaa täten, että tuote:

Kuvaus	Ruohonleikkuri
Tuotemerkki	Husqvarna
Tyyppi/malli	LB 144, LB 244E
Tunniste	Sarjanumerot vuodesta 2023 alkaen

vastaavat täysin seuraavien EU:n direktiivien ja
asetusten vaatimuksia:

Asetus	Kuvaus
2006/42/EC	konedirektiivi
2014/30/EU	EMC-direktiivi
2000/14/EC	Melupäästädirektiivi
2011/65/EU	Direktiivi tiettyjen vaarallisten aineiden käytön rajoittamisesta sähkö- ja elektroniikkalaitteissa

ja että asiassa sovelletaan seuraavia standardeja ja/tai
teknisiä tietoja: EN ISO 5395-1:2013+A1:2018, EN ISO
5395-2:2013+A1:2016+A2:2017, EN IEC 63000:2018,
EN ISO 14982:2009

Ilmoitettu tarkastuslaitos: 0404, SMP Svensk
Maskinprovning AB, Box 4053, SE-904 03
Umeå, Sweden vakuuttaa yhdenmukaisuuden
neuvoston direktiivin 2000/14/EY mukaisesti,
vaatimustenmukaisuuden arviointimenettely: liite VI.

Katso lisätietoja melupäästöistä osiosta *Tekniset tiedot*
sivulla 142.

Huskvarna, 2023-09-18



Claes Losdal, kehityspäällikkö/puutarhatuotteet,
Husqvarna AB

Teknisestä dokumentaatiosta vastaava edustaja



Sommaire

Introduction.....	146	Dépannage moteur.....	157
Sécurité.....	147	Transport, entreposage et mise au rebut.....	158
Montage.....	150	Caractéristiques techniques.....	158
Utilisation.....	151	Déclaration de conformité.....	161
Entretien.....	152		

Introduction

Description du produit

Le produit est une tondeuse rotative à pousser qui utilise le système BioClip pour transformer l'herbe en engrais.

Aperçu du produit

(Fig. 1)

1. Poignée de frein moteur
2. Poignée/Guidon
3. Poignée du câble du démarreur (LB 144)
4. Levier de hauteur de coupe
5. Bouchon et jauge d'huile
6. Silencieux
7. Bougie
8. Poignée de levage
9. Manette de réglage de la hauteur du guidon
10. Bouchon du réservoir d'essence
11. Filtre à air
12. Capot de coupe
13. Lame
14. Rondelle élastique
15. Boulon de lame
16. Batterie, dispositif de sécurité (LB 244E)
17. Bouton du démarreur électrique (LB 244E)
18. Manuel d'utilisation

Symboles concernant le produit

- (Fig. 2) **AVERTISSEMENT !** soyez prudent et utilisez le produit correctement. Ce produit peut causer des blessures graves, voire mortelles, à l'opérateur ou à d'autres personnes.
- (Fig. 3) Veuillez lire attentivement le manuel d'utilisation et assurez-vous de bien comprendre les instructions avant utilisation.
- (Fig. 4) Attention : projections et ricochets.
- (Fig. 5) Maintenez les personnes et les animaux à une distance suffisante de la zone de travail.

Utilisation prévue

Utilisez le produit pour couper l'herbe. N'utilisez pas ce produit pour d'autres travaux.

- (Fig. 6) Avertissement : Éloignez vos mains et vos pieds de la lame en rotation.
- (Fig. 7) Avertissement : Éloignez vos pieds et vos mains des pièces rotatives.
- (Fig. 8) Coupez le moteur et retirez le câble d'allumage avant toute réparation ou opération d'entretien.
- (Fig. 9) Ce produit est conforme aux directives CE en vigueur.
- (Fig. 10) Étiquette relative aux émissions sonores dans l'environnement selon les directives et réglementations européennes et du Royaume-Uni et la législation de la Nouvelle-Galles du Sud « Protection of the Environment Operations (Noise Control) Regulation 2017 ». Le niveau de puissance sonore garanti du produit est spécifié à la section *Caractéristiques techniques à la page 158* et sur l'étiquette.

(Fig. 11) Ce produit est conforme aux directives applicables en vigueur au Royaume-Uni.

- (Fig. 12) Risque d'incendie.
- (Fig. 13) Ne respirez pas les gaz d'échappement. Les gaz d'échappement du moteur contiennent du monoxyde de carbone, un gaz inodore, toxique et très dangereux. Ne démarrez pas le moteur en intérieur ou dans des espaces fermés.
- (Fig. 14) Surface chaude.

- (Fig. 16) Remplissez le moteur d'huile avant de démarrer le produit.
- (Fig. 17) Procédure de démarrage pour LB 144 : Poussez la poignée du frein moteur vers le bas et tirez la poignée du câble du démarreur.
- (Fig. 18) Procédure de démarrage pour LB 244E : Poussez la poignée du frein moteur vers le bas et appuyez sur le bouton de démarrage.
- (Fig. 15) Code optiquement lisible.

Remarque: Les autres symboles/autocollants présents sur le produit concernent des exigences de certification spécifiques à d'autres zones commerciales.

Symboles de conformité



Ce produit est conforme aux directives applicables du décret français n° 2014-1577. Ne jetez pas ce produit dans les déchets ménagers. Il doit être mis au rebut conformément aux réglementations environnementales locales en vigueur.

Endommagement du produit

Nous ne sommes pas responsables des dommages subis par le produit si :

- le produit n'est pas correctement réparé ;
- le produit est réparé avec des pièces qui ne proviennent pas du fabricant ou qui ne sont pas homologuées par le fabricant ;
- le produit est équipé d'un accessoire qui ne provient pas du fabricant ou qui n'est pas homologué par le fabricant ;
- le produit n'est pas réparé par un centre d'entretien agréé ou par une autorité homologuée.

Émissions Euro V



AVERTISSEMENT: toute altération du moteur a pour effet d'annuler l'homologation de type UE de ce produit.

Sécurité

Définitions de sécurité

Des avertissements, des recommandations et des remarques sont utilisés pour souligner des parties spécialement importantes du manuel.



AVERTISSEMENT: Symbole utilisé en cas de risque de blessures ou de mort pour l'opérateur ou les personnes à proximité si les instructions du manuel ne sont pas respectées.



REMARQUE: Symbole utilisé en cas de risque de dommages pour le produit, d'autres matériaux ou les environs si les instructions du manuel ne sont pas respectées.

Remarque: Symbole utilisé pour donner des informations supplémentaires pour une situation donnée.

Instructions générales de sécurité



AVERTISSEMENT: lisez les instructions qui suivent avant d'utiliser le produit.

- Ce produit est dangereux s'il est utilisé de manière incorrecte ou imprudente. Des blessures graves ou mortelles peuvent se produire si vous ne respectez pas les instructions de sécurité.
- Ce produit génère un champ électromagnétique durant son fonctionnement. Ce champ peut dans certaines circonstances perturber le fonctionnement d'implants médicaux actifs ou passifs. Pour réduire le risque de blessures graves ou mortelles, nous recommandons aux personnes portant des implants médicaux de consulter leur médecin et le fabricant de leurs implants avant d'utiliser ce produit.
- Soyez toujours prudent et utilisez votre bon sens. Si vous ne savez pas comment faire fonctionner le produit dans une situation particulière, ne l'utilisez pas et contactez votre revendeur Husqvarna avant de poursuivre.

- N'oubliez pas que l'opérateur sera tenu responsable des accidents occasionnés à des tiers et à leurs biens.
- Maintenez le produit propre. Assurez-vous que vous pouvez lire clairement les avertissements et les autocollants.
- Ne laissez personne utiliser le produit avant d'avoir lu et compris le contenu du manuel d'utilisation.
- Ne laissez pas un enfant utiliser le produit.
- Tenez les enfants éloignés de la zone de travail. Un adulte responsable doit être présent à tout moment.
- Ne laissez pas une personne utiliser le produit si elle ne connaît pas les instructions.
- Surveillez constamment les personnes aux capacités physiques ou mentales réduites qui utilisent ce produit. Un adulte responsable doit être présent à tout moment.
- N'utilisez jamais le produit si vous êtes fatigué ou malade, ou si vous êtes sous l'emprise d'alcool, de drogues ou de médicaments. Cela a un effet négatif sur votre vision, votre vigilance, votre coordination et votre jugement.
- N'utilisez pas un produit endommagé ou qui ne fonctionne pas correctement.
- Ne modifiez jamais le produit et ne l'utilisez jamais s'il est susceptible d'avoir été modifié par un tiers.
- Ne modifiez pas le réglage de régulation du régime moteur.
- Faites fonctionner le produit en travers de la courbe de la pente, jamais de haut en bas.
- Soyez prudent lorsque vous vous approchez de coins cachés et d'objets qui empêchent d'avoir une vue dégagée.

Sécurité du travail



AVERTISSEMENT: Lisez les instructions qui suivent avant d'utiliser le produit.

- Utilisez le produit uniquement pour couper les pelouses. Il est interdit d'utiliser le produit pour d'autres travaux.
- Utilisez un équipement de protection personnelle. Reportez-vous à la section *Équipement de protection individuelle* à la page 149.
- Assurez-vous que vous savez arrêter le moteur rapidement en cas d'urgence.
- Ne démarrez jamais le moteur dans un espace clos ou à proximité matériaux inflammables. Les gaz d'échappement du moteur sont très chauds et peuvent contenir des étincelles pouvant provoquer un incendie.
- Faites fonctionner le produit uniquement si la lame et tous les couvercles sont fixés correctement. Une lame fixée de manière inadéquate risque de se détacher et de causer des blessures personnelles.
- Assurez-vous que la lame ne touche pas des objets tels que des pierres et des racines. Cela peut ne pas endommager la lame et tordre l'arbre du moteur. Un arbre tordu génère de fortes vibrations, il y a alors un risque important que la lame se détache.
- Arrêtez immédiatement le produit s'il vibre ou bute sur un objet. Débranchez le câble d'allumage de la bougie. Vérifiez que le produit n'est pas endommagé. Réparez les éventuels dommages ou demandez à un atelier spécialisé agréé procéder aux réparations.
- N'attachez jamais la poignée de frein moteur en permanence à la poignée de commande quand le moteur est mis en marche.
- Placez le produit sur une surface stable et plane, puis lancez-le. Vérifiez que la lame ne touche pas le sol ou tout autre objet.
- Restez toujours derrière le produit lorsque vous l'utilisez.
- Faites reposer toutes les roues sur le sol et conservez vos deux mains sur la poignée lorsque vous faites fonctionner le produit. Maintenez les mains et les pieds à distance des lames en rotation.
- N'incline pas le produit quand le moteur est mis en marche.
- Soyez prudent lorsque vous tirez le produit vers l'avant.
- Ne soulevez jamais le produit quand le moteur est mis en marche. Si vous devez soulever le produit,

Sécurité dans l'espace de travail



AVERTISSEMENT: Lisez les instructions qui suivent avant d'utiliser le produit.

- Retirez les objets tels que les branches, les brindilles et les pierres de la zone de travail avant d'utiliser le produit.
- Les objets heurtant l'équipement de coupe peuvent être éjectés et causer des blessures ou des dégâts matériels. Maintenez les personnes aux alentours et les animaux à une distance suffisante du produit.
- N'utilisez jamais le produit par mauvais temps, par exemple en cas de brouillard, de pluie, de vent violent, de froid intense et de risque d'éclair. Utilisez le produit par mauvais temps ou dans des environnements humides est fatigant. Le mauvais temps peut rendre les conditions de travail dangereuses : des surfaces peuvent par exemple devenir glissantes.
- Identifiez les éventuels personnes, objets et situations susceptibles de nuire à la sécurité du fonctionnement du produit.
- Soyez attentif aux obstacles tels que les racines, les pierres, les brindilles, les fosses et les fossés. L'herbe haute peut cacher des obstacles.
- Il peut être dangereux de couper l'herbe sur des terrains en pente. N'utilisez pas le produit sur un sol dont la pente est supérieure à 15°.

coupez d'abord le moteur et débranchez le câble d'allumage de la bougie.

- Ne marchez pas vers l'arrière lorsque vous utilisez le produit.
- Arrêtez le moteur lorsque vous vous déplacez à travers des zones exemptes d'herbe, par exemple des chemins de gravier, de pierre ou d'asphalte.
- Ne courez pas lorsque vous utilisez le produit et que le moteur est mis en marche. Vous devez toujours marcher lorsque vous utilisez le produit.
- Arrêtez le moteur avant de modifier la hauteur de coupe. N'effectuez jamais de réglages pendant que le moteur tourne.
- Ne quittez jamais le produit des yeux pendant que le moteur tourne. Arrêtez le moteur et assurez-vous que l'équipement de coupe ne tourne pas.

Consignes de sécurité pour le fonctionnement

Équipement de protection individuelle



AVERTISSEMENT: Lisez les instructions qui suivent avant d'utiliser le produit.

- L'équipement de protection individuel ne protège pas complètement des blessures, mais il diminue la gravité des blessures en cas d'accident. Faites appel à votre revendeur pour vous aider à sélectionner l'équipement adéquat.
- Utilisez des protège-oreilles si le niveau sonore est supérieur à 85 dB.
- Portez des bottes ou chaussures antidérapantes à usage intensif. Ne portez pas de chaussures ouvertes et ne soyez pas pieds nus lorsque vous utilisez le produit.
- Utilisez des pantalons longs et épais.
- Portez des gants de protection en cas de besoin, par exemple lorsque vous fixez, examinez ou nettoyez l'équipement de coupe.

Dispositifs de sécurité sur le produit



AVERTISSEMENT: lisez les instructions qui suivent avant d'utiliser le produit.

- N'utilisez pas un produit dont les dispositifs de sécurité sont endommagés ou ne fonctionnent pas correctement.
- Contrôlez les dispositifs de sécurité régulièrement. Si les dispositifs de sécurité sont endommagés ou ne fonctionnent pas correctement, contactez l'atelier de réparation de votre revendeur Husqvarna.
- N'apportez pas de modifications aux dispositifs de sécurité.

Pour contrôler le capot de coupe

Le capot de coupe réduit les vibrations dans le produit et réduit le risque de blessures provoquées par la lame.

- Examinez le capot de coupe pour vous assurer qu'il ne présente pas de dommages tels que des fissures.

Batterie (LB 244E)



AVERTISSEMENT: Une batterie endommagée diminue la sécurité du produit. Utilisez toujours une batterie approuvée par le fabricant.

La batterie est le dispositif qui donne la puissance au démarrage électrique. Elle est également un dispositif de sécurité qui empêche tout démarrage accidentel. Retirez la batterie lorsque vous n'utilisez pas le produit ou si vous le laissez hors de votre vue.

Pour contrôler la poignée de frein moteur

La poignée de frein moteur arrête le moteur. Lorsque la poignée de frein moteur est relâchée, le moteur s'arrête.

- Démarrez le moteur, puis relâchez la poignée de frein moteur. Si le moteur ne s'arrête pas au bout de 3 secondes, demandez à un Husqvarna atelier spécialisé agréé de régler le frein moteur. (Fig. 19)

Silencieux

Le silencieux est conçu pour réduire au maximum le niveau sonore et rejeter les gaz d'échappement loin du conducteur.

N'utilisez pas le produit si le silencieux est manquant ou défectueux. Un silencieux endommagé augmente le niveau sonore et le risque d'incendie.



AVERTISSEMENT: Le silencieux devient très chaud pendant et après utilisation et lorsque le moteur fonctionne au régime de ralenti. Soyez vigilant à proximité des matériaux inflammables et/ou des fumées pour prévenir tout risque d'incendie.

Pour contrôler le silencieux

- Examinez le silencieux régulièrement pour s'assurer qu'il est correctement fixé et qu'il n'est pas endommagé.

Sécurité carburant



AVERTISSEMENT: lisez les instructions qui suivent avant d'utiliser le produit.

- Ne démarrez pas le produit si du carburant ou de l'huile moteur ont été renversés sur le produit. Essayez le carburant/l'huile et attendez que le produit sèche.

- Si vous avez renversé du carburant sur vos vêtements, changez de vêtements immédiatement.
- Évitez tout contact de la peau avec le carburant, car cela pourrait causer des blessures. Si votre peau entre en contact avec le carburant, lavez les parties concernées avec de l'eau et du savon.
- Ne démarrez pas le produit si le moteur présente une fuite. Vérifiez régulièrement que le moteur ne présente aucune fuite.
- Faites attention avec le carburant. Le carburant est inflammable et ses vapeurs sont explosives. Il peut causer des blessures graves, voire mortelles.
- Ne respirez pas les vapeurs de carburant, elles peuvent causer des blessures. Assurez-vous que la ventilation est suffisante.
- Ne fumez pas à proximité du carburant ou du moteur.
- Ne placez pas d'objets chauds à proximité du carburant ou du moteur.
- N'ajoutez pas de carburant lorsque le moteur est allumé.
- Assurez-vous que le moteur est froid avant de faire le plein de carburant.
- Avant de faire le plein, ouvrez le bouchon du réservoir de carburant lentement et relâchez la pression avec précaution.
- N'ajoutez pas de carburant au moteur dans un espace intérieur. Un débit d'air insuffisant peut causer des blessures graves, voire mortelles dues à une asphyxie ou au monoxyde de carbone.
- Serrez complètement le bouchon du réservoir de carburant. Si le bouchon du réservoir de carburant n'est pas serré, il y a un risque d'incendie.
- Déplacez le produit à au moins 3 m/10 pi de l'endroit où l'appoint en carburant a été effectué avant de démarrer le produit.
- Ne remplissez pas entièrement le réservoir de carburant. La chaleur entraîne la dilatation du carburant. Laissez un espace en haut du réservoir de carburant.
- Ne remisez jamais le produit avec du carburant dans le réservoir à l'intérieur d'un bâtiment où se trouvent

des sources d'ignition telles que des chauffe-eau, des radiateurs ou des sèche-linge. Laissez refroidir le moteur avant de remettre le produit dans un endroit clos.

Consignes de sécurité pour l'entretien



AVERTISSEMENT: lisez les instructions qui suivent avant d'utiliser le produit.

- Les gaz d'échappement du moteur contiennent du monoxyde de carbone, un gaz inodore, toxique et très dangereux. Ne démarrez pas le moteur en intérieur ou dans des espaces fermés.
- Avant de procéder à l'entretien du produit, arrêtez le moteur et débranchez le câble d'allumage de la bougie. Sur LB 244E, retirez également la batterie.
- Utilisez des gants de protection lorsque vous procédez à l'entretien de l'équipement de coupe. La lame est très tranchante et des coupures peuvent survenir facilement.
- Les accessoires et les modifications apportées au produit qui ne sont pas approuvés par le fabricant peuvent causer des blessures très graves, voire mortelles. Ne modifiez pas le produit. Utilisez toujours des accessoires qui sont approuvés par le fabricant.
- Si l'entretien n'est pas effectué correctement et régulièrement, le risque de blessures et d'endommagement du produit augmente.
- Effectuez uniquement les tâches d'entretien décrites dans le présent manuel d'utilisation. Toutes les autres tâches d'entretien doivent être effectuées par un Husqvarna atelier spécialisé agréé.
- Demandez à un Husqvarna atelier spécialisé d'effectuer régulièrement l'entretien du produit.
- Remplacez les pièces endommagées, usées ou cassées.

Montage

Introduction



AVERTISSEMENT: Avant de monter le produit, vous devez lire et comprendre le chapitre sur la sécurité.



AVERTISSEMENT: Débranchez le câble d'allumage de la bougie avant de monter le produit.

Pour monter la poignée

1. Tirez la poignée vers l'arrière jusqu'à ce qu'elle atteigne la butée. (Fig. 20)
2. Serrez les boutons de poignée. (Fig. 21)

Pour régler la hauteur de la poignée

1. Assurez-vous que la manette de réglage de la hauteur est dans la rainure. Si la manette de réglage de la hauteur n'est pas placée dans la rainure, appuyez dessus avec votre pied. (Fig. 22)
2. Appuyez sur la manette de réglage de la hauteur avec votre pied.

- Placez le guidon dans la position correcte et relâchez-le. (Fig. 23)

Utilisation

Introduction



AVERTISSEMENT: Avant d'utiliser le produit, vous devez lire et comprendre le chapitre sur la sécurité.



REMARQUE: Remplacez le filtre à carburant une fois par an ou plus fréquemment, si nécessaire. Un nouveau filtre à carburant est disponible chez votre revendeur Husqvarna.

Husqvarna Connect

Husqvarna Connect est une application gratuite pour votre appareil mobile. L'application Husqvarna Connect offre des fonctions étendues à votre produit Husqvarna :

- Informations produit détaillées.
- Informations et aide sur les pièces et l'entretien du produit.



REMARQUE: Arrêtez toujours le moteur avant de faire l'appoint en carburant.

Pour commencer à utiliser Husqvarna Connect

- Téléchargez l'application Husqvarna Connect sur votre appareil mobile.
- Enregistrez-vous sur l'application Husqvarna Connect.
- Suivez les instructions de l'application Husqvarna Connect pour vous connecter et enregistrer le produit.



REMARQUE: N'utilisez pas de fluides de démarrage sous pression.

Avant d'utiliser le produit

- Lisez attentivement le manuel d'utilisation et assurez-vous de bien comprendre les instructions.
- Examinez l'équipement de coupe pour vous assurer qu'il est bien fixé et réglé. Reportez-vous à la section *Pour inspecter l'équipement de coupe à la page 154*.
- Vérifiez le niveau d'huile et faites l'appoint si nécessaire. Reportez-vous à la section *Pour vérifier le niveau d'huile à la page 154*.
- Remplissez le réservoir de carburant. Reportez-vous à la section *Pour faire l'appoint en carburant à la page 151*.

- Ouvrez lentement le couvercle du réservoir de carburant pour relâcher la pression.
- Remplissez lentement le réservoir à l'aide d'un bidon de carburant. Si vous renversez du carburant, essuyez-le à l'aide d'un chiffon et laissez le carburant restant sécher. (Fig. 24)
- Essuyez le pourtour du bouchon du réservoir de carburant.
- Serrez complètement le bouchon du réservoir de carburant. Si le bouchon du réservoir de carburant n'est pas serré, il y a un risque d'incendie.
- Déplacez le produit à au moins 3 m/10 pi de l'endroit où l'appoint en carburant a été effectué avant de démarrer le produit.

Pour faire l'appoint en carburant

Le cas échéant, utilisez de l'essence à faibles émissions/un carburant alkylate. Si vous ne disposez pas d'essence à faibles émissions/de carburant alkylate, utilisez de l'essence sans plomb de bonne qualité ou de l'essence au plomb dont l'indice d'octane n'est pas inférieur à 91.

Pour régler le produit en position de fonctionnement

- Montez la poignée. Reportez-vous à la section *Pour monter la poignée à la page 150*.
- Réglez la hauteur de la poignée. Reportez-vous à la section *Pour régler la hauteur de la poignée à la page 150*.



REMARQUE: N'utilisez pas d'essence avec un indice d'octane inférieur à 91 RON. En cas de non-respect de cette consigne, vous risquez d'endommager le produit.



REMARQUE: Assurez-vous que la tension n'est pas trop élevée dans les câbles. Une tension trop élevée peut endommager le câble si la poignée est repliée en position de transport.



AVERTISSEMENT: N'utilisez pas le produit tant que la poignée n'est pas complètement repliée et réglée dans l'une des positions de hauteur possibles. Reportez-vous à la section *Pour régler la hauteur de la poignée à la page 150*.

Pour régler la hauteur de coupe

La hauteur de coupe peut être réglée sur 6 positions différentes.

1. arrêtez le moteur.
2. Déplacez le levier de hauteur de coupe vers l'arrière pour augmenter la hauteur de coupe. (Fig. 25)
3. Déplacez le levier de hauteur de coupe vers l'avant pour diminuer la hauteur de coupe.



REMARQUE: La hauteur de coupe ne doit pas être réglée trop bas. Les lames peuvent toucher le sol si la surface de la pelouse n'est pas plane.

Pour démarrer le produit

- Assurez-vous que le câble d'allumage est branché sur la bougie.

Démarrage manuel (LB 144)

1. Restez derrière le produit.
2. Tenez la poignée du frein moteur contre la poignée supérieure. (Fig. 26)
3. Tenez la poignée du câble du démarreur de votre main droite.
4. Tirez lentement sur le câble du démarreur jusqu'à ce que vous sentiez une certaine résistance.
5. Tirez avec force pour démarrer le moteur.



AVERTISSEMENT: N'enroulez pas le câble du démarreur autour de votre main.

Démarrage électrique (LB 244E)

1. Assurez-vous que la batterie est chargée. Reportez-vous à la section *Entretien de la batterie (LB 244E) à la page 155.*
2. Fixez la batterie au moteur. La batterie est verrouillée en position lorsqu'un « clic » est émis. (Fig. 27)

3. Restez derrière le produit et maintenez la poignée du frein moteur (A) contre la poignée supérieure. (Fig. 28)
4. Maintenez enfoncé le bouton de démarrage électrique (B) pendant 3 à 5 secondes. Le moteur démarre.

Remarque: si le moteur ne démarre pas, attendez 1 minute et essayez à nouveau de démarrer le produit.

Pour arrêter le produit

- Pour arrêter le moteur, relâchez la poignée de freinage du moteur.

Pour retirer la batterie (LB 244E)

Afin d'éviter tout démarrage accidentel du moteur, retirez la batterie lorsque le produit n'est pas en fonctionnement.

- Appuyez sur le bouton de blocage (A) et retirez la batterie en la maintenant droite. (Fig. 29)

Pour obtenir de bons résultats

- Utilisez toujours une lame correctement affûtée. Une lame émoussée produit un résultat irrégulier et l'herbe jaunira à la surface de la coupe. De plus, une lame affûtée consomme moins d'énergie qu'une lame émoussée.
- Ne coupez pas plus d'un tiers de la longueur de l'herbe. Coupez d'abord avec une hauteur de coupe élevée. Examinez le résultat et abaissez la hauteur de coupe à un niveau convenable. Si l'herbe est très longue, tondez lentement, et deux fois si nécessaire.
- Tondez toujours dans différentes directions afin d'éviter de faire des lignes dans la pelouse.
- Assurez-vous que le carter de coupe reste propre. L'accumulation d'herbe et de saleté sur la face intérieure du carter de coupe peut réduire la qualité du résultat de coupe. Reportez-vous à la section *Pour nettoyer la surface interne du capot de coupe à la page 154.*

Entretien

Introduction



AVERTISSEMENT: Avant d'effectuer des travaux d'entretien, vous devez lire et comprendre le chapitre sur la sécurité.

Une formation spécifique est nécessaire pour effectuer tous les travaux d'entretien et de réparation du produit. Nous garantissons qu'il vous est possible d'obtenir des services de réparation et d'entretien effectués par des professionnels. Si votre revendeur n'est pas un atelier

spécialisé, demandez-lui des informations à propos de l'atelier spécialisé le plus proche.

Pour des informations plus détaillées, reportez-vous à www.husqvarna.com.

Calendrier d'entretien



REMARQUE: Assurez-vous que le filtre à air est orienté vers le haut et qu'il n'est pas contre le sol lorsque vous inclinez le produit. Risque de détérioration du moteur.



REMARQUE: pour les modèles avec démarrage électrique, retirez toujours la batterie avant de procéder à l'entretien, la réparation ou le nettoyage du produit.

Pour les travaux d'entretien suivis d'un astérisque (*), reportez-vous aux instructions de la section *Dispositifs de sécurité sur le produit à la page 149*.

Les intervalles d'entretien sont calculés selon une utilisation quotidienne du produit. Les intervalles sont différents si le produit n'est pas utilisé tous les jours.

Entretien	Tous les jours	Mensuel	À chaque saison
Procédez à une inspection générale	X		
Inspectez le niveau d'huile	X		
Changez l'huile (la première fois après 5 h d'utilisation, puis toutes les 50 h d'utilisation) ⁶⁴			X
Nettoyez le produit	X		
Nettoyez la zone autour de la manette de réglage de la hauteur de la poignée	X		
Inspectez l'équipement de coupe	X		
Inspectez le capot de coupe *	X		
Inspectez la poignée de frein moteur *	X		
Inspectez le silencieux *		X	
Vérifiez la bougie d'allumage. Nettoyez ou remplacez la bougie si nécessaire			X
Inspectez le filtre à air	X		
Nettoyez le filtre à air ⁶⁵		X	
Remplacez le filtre à air			X
Inspectez le système de carburant			X
Nettoyez les ailettes de refroidissement sur le cylindre		X	

Pour faire une inspection générale

- Assurez-vous que l'ensemble des vis et des écrous du produit sont correctement serrés.

Pour nettoyer la partie extérieure du produit

- Utilisez une brosse pour enlever les feuilles, l'herbe et la saleté.
- Assurez-vous que la prise d'air sur le dessus du moteur n'est pas obstruée.
- N'utilisez pas de nettoyeur haute pression pour le nettoyage du produit.

- Si vous utilisez de l'eau pour nettoyer le produit, ne projetez jamais d'eau directement sur le moteur.

Pour nettoyer la zone autour de la manette de réglage de la hauteur de la poignée

- Utilisez une brosse pour enlever les feuilles, l'herbe et la saleté.
(Fig. 30)

⁶⁴ Si le produit est utilisé avec une charge lourde ou à une température ambiante élevée, remplacez l'huile moteur toutes les 25 heures.

⁶⁵ Nettoyez-le plus souvent en cas de conditions poussiéreuses ou en présence de rejets aériens. Remplacez le filtre à air s'il est très sale.

Pour nettoyer la surface interne du capot de coupe

1. Videz le réservoir de carburant.
2. Inclinez le produit. Assurez-vous que la bougie pointe vers le haut.



REMARQUE: Si le produit est posé avec le filtre à air vers le bas, le moteur peut être endommagé.

3. Lavez au jet la surface intérieure du capot de coupe.

Pour inspecter l'équipement de coupe



AVERTISSEMENT: Afin d'éviter tout démarrage accidentel, débranchez le câble d'allumage de la bougie.



AVERTISSEMENT: Utilisez des gants de protection lorsque vous procédez à l'entretien de l'équipement de coupe. La lame est très tranchante et des coupures peuvent survenir facilement.

1. Inspectez l'équipement de coupe afin de détecter d'éventuels dommages ou fissures. Remplacez toujours un équipement de coupe endommagé.
2. Inspectez la lame pour voir si elle est endommagée ou émoussée.

Remarque: Il est nécessaire d'équilibrer la lame après l'avoir affûtée. Demandez à un centre d'entretien d'affûter, de remplacer et d'équilibrer la lame. Si vous heurtez un obstacle qui entraîne l'arrêt du produit, remplacez la lame endommagée. Demandez au centre d'entretien d'évaluer si la lame peut être affûtée ou si elle doit être remplacée.

Pour remplacer la lame

1. Bloquez la lame avec une cale en bois. (Fig. 31)
2. Retirez le boulon de lame et la rondelle ressort.
3. Retirez la lame.
4. Examinez le support de lame et le boulon de lame pour voir s'ils sont endommagés.
5. Examinez l'arbre du moteur pour vous assurer qu'il n'est pas tordu.
6. Lorsque vous fixez la nouvelle lame, orientez le tranchant en direction du capot de coupe. (Fig. 32)
7. Assurez-vous que la lame est alignée par rapport au centre de l'arbre du moteur.
8. Bloquez la lame avec une cale en bois. Fixez la rondelle ressort, puis serrez le boulon et la rondelle à un couple de 44-46 Nm. (Fig. 33)

9. Déplacez la lame à la main et vérifiez qu'elle tourne librement.



AVERTISSEMENT: Utilisez des gants de travail épais. La lame est très tranchante et des coupures peuvent survenir facilement.

10. Démarrez le produit pour tester la lame. Si la lame n'est pas correctement fixée, le produit vibre ou le résultat de coupe n'est pas satisfaisant.

Pour vérifier le niveau d'huile



REMARQUE: Un niveau d'huile trop bas peut endommager le moteur. Contrôlez le niveau d'huile avant de démarrer le produit.

1. Placez le produit sur un sol plat.
2. Retirez le bouchon du réservoir d'huile et la jauge qui y est fixée.
3. Nettoyez l'huile sur la jauge.
4. Insérez entièrement la jauge dans le réservoir d'huile.
 - a) Ne fixez pas le bouchon du réservoir d'huile sur le modèle LB 144.
 - b) Fixez le bouchon du réservoir d'huile sur les modèles LB 244E.
5. Déposez le bouchon du réservoir d'huile et la jauge.
6. Inspectez le niveau d'huile sur la jauge.
7. Si le niveau d'huile est bas, faites l'appoint d'huile moteur et contrôlez à nouveau le niveau d'huile. (Fig. 34)

Remarque: Utilisez un entonnoir pour éviter tout déversement.

8. Posez le bouchon du réservoir d'huile lorsque le niveau d'huile est correct.

Remplacement de l'huile moteur



AVERTISSEMENT: L'huile moteur est très chaude juste après l'arrêt du moteur. Laissez le moteur refroidir avant de vidanger l'huile moteur. Si vous renversez de l'huile moteur sur votre peau, nettoyez avec de l'eau et du savon.

(Fig. 35)

1. Faites fonctionner le produit jusqu'à ce que le réservoir de carburant soit vide.
2. Débranchez le câble d'allumage de la bougie.
3. Retirez le bouchon du réservoir d'huile et la jauge qui y est fixée.

- Placez un récipient sous le produit pour recueillir l'huile moteur.
- Inclinez le produit ou vidangez l'huile moteur du réservoir d'huile à l'aide d'une pompe à huile (accessoire).
- Faites l'appoint avec de l'huile moteur neuve du type recommandé dans la section *Caractéristiques techniques à la page 158*.
- Contrôlez le niveau d'huile. Reportez-vous à la section *Pour vérifier le niveau d'huile à la page 154*.
- Posez le bouchon du réservoir d'huile lorsque le niveau d'huile est correct.

Filter à air

Un filtre à air sale peut endommager le moteur ou provoquer son dysfonctionnement. Effectuez l'entretien du filtre à air plus fréquemment en cas d'utilisation en conditions poussiéreuses. Reportez-vous à la section *Calendrier d'entretien à la page 152* pour plus d'informations sur le remplacement du filtre à air.

Remarque: Remplacez toujours le filtre à air s'il est endommagé.

Dépose et installation du filtre à air (LB 244E)



AVERTISSEMENT: Utilisez des gants de protection.

- Poussez les clips sur le couvercle du filtre à air.
- Déposez avec précaution le couvercle du filtre à air (A) du moteur.
- Déposez le filtre à air (B). (Fig. 36)
- Examinez le filtre à air à la recherche de dommages. Remplacez le filtre à air s'il est endommagé.
- Nettoyez et examinez le filtre à air. Reportez-vous à la section *Nettoyage du filtre à air (LB 244E) à la page 155*.
- Effectuez l'installation en suivant les étapes dans l'ordre inverse.

Nettoyage du filtre à air (LB 244E)

Un filtre à air sale peut endommager le moteur ou provoquer son dysfonctionnement. Effectuez l'entretien du filtre à air plus fréquemment en cas d'utilisation en conditions poussiéreuses.

Reportez-vous à la section *Calendrier d'entretien à la page 152* pour plus d'informations sur le remplacement du filtre à air.

- Retirez le couvercle du filtre à air et le filtre.
- Nettoyez le filtre en le frappant contre une surface plane. N'utilisez pas de diluant avec de l'essence, du kérosène ou de l'air comprimé pour nettoyer le filtre.

Remarque: Les filtres à air en fonctionnement pendant une longue période ne peuvent pas être nettoyés complètement. Remplacez le filtre à air à intervalles réguliers. Les filtres à air endommagés doivent toujours être remplacés.

- Lors de l'assemblage du filtre à air, veillez à assurer une bonne étanchéité entre celui-ci et le support du filtre.

Pour nettoyer le filtre en mousse plastique (LB 144)



REMARQUE: ne démarrez pas le moteur lorsque les filtres à air sont déposés. L'usure du moteur augmente si l'air est sale.

- Retirez le couvercle du filtre à air (A). (Fig. 37)
- Retirez les filtres en mousse plastique (B).



REMARQUE: Vérifiez que les filtres en mousse plastique ne sont pas endommagés ou usés. Remplacez tous les filtres en mousse plastique endommagés.

- Nettoyez les filtres en mousse plastique avec de l'eau et du savon.
- Rincez les filtres en mousse plastique avec de l'eau propre.
- Pressez les filtres en mousse plastique pour en faire sortir l'eau et laissez-les sécher.



REMARQUE: N'utilisez pas d'air comprimé. Cela peut endommager le filtre en mousse.

- Lubrifiez les filtres en mousse plastique à l'aide d'huile moteur.
- Appliquez un chiffon propre sur le filtre en mousse plastique pour retirer l'excédent d'huile.
- Posez les filtres en mousse plastique. Veillez à assurer une bonne étanchéité entre les filtres en mousse plastique et le support de filtre à air.
- Installez le couvercle de filtre à air.

Entretien de la batterie (LB 244E)

La batterie ne nécessite aucun entretien. Ne laissez personne d'autre qu'un centre d'entretien agréé effectuer l'entretien de la batterie si celui-ci est nécessaire.

Pour utiliser la batterie pour la première fois (LB 244E)



REMARQUE: ne laissez pas la batterie se vider. Si la batterie se vide, cela peut l'endommager.

Vous devez charger la batterie avant la première utilisation.

1. Branchez le chargeur de batterie à la batterie, reportez-vous à la section *Pour recharger la batterie (LB 244E)* à la page 156.
2. Patientez jusqu'à ce qu'une LED verte au minimum s'allume.
3. Fixez la batterie au moteur, reportez-vous à la section *Démarrage électrique (LB 244E)* à la page 152.

Pour recharger la batterie (LB 244E)

Si seulement 1 voyant de la batterie s'allume ou si aucun voyant ne s'allume, il est nécessaire de la charger. Une batterie vide se charge entièrement en 2 heures. Si vous la chargez pendant une période plus courte, cela n'endommagera pas la batterie.

1. Branchez le chargeur à la batterie. (Fig. 38)
2. Branchez le chargeur de batterie à une prise d'alimentation, 100-240 V, 50-60 Hz.
3. Retirez d'abord le chargeur de la prise d'alimentation, puis retirez le chargeur de la batterie.

État de charge de la batterie

Écran à DEL sur la batterie	Statut
La LED 1 clignote en rouge.	1 %-9 %
La LED 1 est rouge en continu.	10%-32%
La LED 1 est verte et la LED 2 est rouge.	33%-54%
Les LED 1 et 2 sont vertes et la LED 3 est rouge.	55%-77%
Les LED 1, 2 et 3 sont vertes et la LED 4 est rouge.	78%-100%

Voyant sur la station de la batterie	Statut
Lumière rouge fixe	La batterie se charge.
Lumière verte fixe	La batterie est complètement chargée.

Pour inspecter la bougie



REMARQUE: Utilisez toujours le type de bougie recommandé. Un type de bougie inadéquat peut endommager le produit.

- Inspectez la bougie si le moteur manque de puissance, n'est pas facile à démarrer ou ne fonctionne pas correctement lorsqu'il tourne au régime de ralenti.

- Afin de réduire le risque de présence de matériaux indésirables sur les électrodes de la bougie, procédez comme suit :
 - a) Assurez-vous que le régime de ralenti est correctement réglé.
 - b) Assurez-vous que le mélange de carburant est correct.
 - c) Assurez-vous que le filtre à air est propre.
- Si la bougie est encrassée, nettoyez-la et vérifiez que l'écartement des électrodes est correct ; reportez-vous à la section *Caractéristiques techniques* à la page 158. (Fig. 39)
- Remplacez la bougie si nécessaire.

Pour examiner le système de carburant

- Examinez le couvercle du réservoir de carburant et le joint du couvercle du réservoir de carburant pour vous assurer qu'ils ne sont pas endommagés.
- Examinez le tuyau à carburant pour vous assurer qu'il n'y a pas de fuite. Si le tuyau à carburant est endommagé, demandez à un atelier spécialisé de le remplacer.

Vidange du réservoir de carburant

1. Placez un récipient sous le réservoir de carburant.
2. Retirez le bouchon du réservoir de carburant.
3. Poussez les colliers de serrage sur le flexible de carburant contre le carburateur.
4. Déposez le flexible de carburant du carburateur.
5. Placez le flexible du réservoir de carburant dans le récipient et déposez les colliers de serrage.
6. Inclinez le produit et vidangez le carburant dans le récipient.

Pour remplacer le filtre à carburant



AVERTISSEMENT: Utilisez des gants de protection.

1. Videz le réservoir de carburant.
2. Écartez le collier de durite du réservoir de carburant. (Fig. 40)
3. Retirez les tuyaux à carburant du réservoir de carburant. Une petite quantité de carburant peut s'écouler. (Fig. 41)
4. Retirez le filtre à carburant du réservoir de carburant. (Fig. 42)
5. Montez un filtre à carburant neuf dans le réservoir de carburant.
6. Fixez le tuyau à carburant sur le réservoir de carburant.
7. Mettez le collier de tuyau en place contre le réservoir de carburant.

Dépannage moteur

Problème	Cause possible	Solution
Le moteur ne démarre pas.	Le câble d'allumage n'est pas branché correctement.	Branchez le câble d'allumage à la bougie.
	Le réservoir de carburant est vide.	Remplissez le réservoir de carburant avec le carburant adéquat.
	Le carburant est vieux.	Vidangez le réservoir de carburant et le carburateur. Faites le plein d'essence propre.
	Il y a des saletés dans le carburateur ou dans la durite de carburant.	Nettoyez le carburateur et/ou la durite de carburant.
	La bougie est endommagée.	Réglez l'écartement des électrodes, nettoyez ou remplacez la bougie.
	Présence de carburant sur la bougie.	Nettoyez la bougie.
Le moteur ne s'arrête pas.	La mécanique d'arrêt ne fonctionne pas correctement.	Débranchez le câble d'allumage de la bougie. Faites réparer le produit par un atelier de réparation homologué.
Le moteur ne fonctionne pas correctement.	Le câble d'allumage n'est pas branché correctement.	Branchez le câble d'allumage à la bougie.
	Des saletés sont présentes dans la durite de carburant ou le carburant a expiré.	Nettoyez la durite de carburant. Remplissez le réservoir de carburant avec du carburant neuf adéquat.
	Le bouchon du réservoir de carburant est colmaté.	Nettoyez le bouchon du réservoir de carburant.
	De l'eau ou de la saleté sont présentes dans le système de carburant.	Videz le réservoir de carburant. Remplissez le réservoir de carburant avec du carburant neuf adéquat.
	Le filtre à air est sale.	Nettoyez le filtre à air.
	Le carburateur doit être réglé.	Laissez un atelier d'entretien régler le carburateur.
Le moteur devient trop chaud.	Le niveau d'huile moteur est trop bas.	Faites l'appoint en huile moteur.
	Le débit d'air est insuffisant.	Nettoyez le filtre à air et le boîtier du filtre à air.
	Le carburateur doit être réglé.	Laissez un atelier d'entretien régler le carburateur.
Des ratés proviennent du moteur lorsqu'il fonctionne à grande vitesse.	L'écartement des électrodes dans la bougie est trop petit.	Réglez l'écartement des électrodes.
Bruits inhabituels du moteur en charge normale.	Type d'essence incorrect.	Vidangez le réservoir de carburant et le carburateur. Faites le plein d'essence propre. Reportez-vous à la section <i>Pour examiner le système de carburant à la page 156</i> . Si le problème persiste, contactez votre atelier d'entretien local.

Problème	Cause possible	Solution
Le moteur ne fonctionne pas correctement lorsqu'il tourne au régime de ralenti.	La bougie est sale, endommagée ou l'écartement des électrodes est trop grand.	Ajustez l'écartement des électrodes ou remplacez la bougie.
	Le carburateur doit être réglé.	Réglez le carburateur.
	Le filtre à air est sale.	Nettoyez le filtre à air.

Transport, entreposage et mise au rebut

Transport et stockage

- Pour le stocker et transporter le produit et le carburant, assurez-vous qu'il n'y a pas de fuite ou de vapeurs. Les étincelles ou les flammes nues produites par exemple par des appareils électriques ou chaudières peuvent provoquer un incendie.
- Utilisez uniquement des récipients homologués pour le transport et le stockage de carburant.
- Videz le réservoir de carburant avant de remettre le produit pendant une longue période. Mettez le carburant au rebut dans une déchetterie appropriée
- Sécurisez le produit lors de son transport pour éviter tout dommage ou accident.
- Conservez le produit dans un endroit verrouillé afin que des enfants ou personnes qui ne sont pas autorisées à l'utiliser ne puissent pas y avoir accès.
- Conservez le produit dans un endroit sec et à l'abri du gel.

Pour régler le produit en position de transport

1. Relâchez les boutons de poignée. (Fig. 43)
2. Repliez la poignée vers l'avant jusqu'à ce qu'elle atteigne la butée. (Fig. 44)

Transport et stockage de la batterie et du chargeur

- Ne retirez pas la batterie tant que le produit n'est pas immobile et froid. Pour retirer la batterie, maintenez enfoncé le bouton situé sur le dessus de la batterie et retirez-la de son logement.

- Si la durée de remisage est supérieure à 30 jours, chargez la batterie jusqu'à ce qu'elle ait plus de 3 voyants verts.
- Chargez la batterie une fois tous les 3 mois pour éviter de l'endommager.
- La batterie et le chargeur doivent être entreposés entre 5 °C et 40 °C. Des températures plus élevées ou des sources de température élevée, telles qu'un incendie, peuvent endommager la batterie.
- Ne démontez pas la batterie.
- Ne plongez pas la batterie dans l'eau. Placez la batterie dans un endroit frais et sec avec une bonne circulation d'air.
- Si la batterie sent, est chaude ou si la chaleur provoque une déformation de la batterie pendant son fonctionnement, son remisage ou sa charge, retirez-la et ne l'utilisez pas.
- Assurez-vous que la batterie ou le chargeur sont fixés pendant le transport pour éviter tout dommage.
- Assurez-vous que le chargeur de batterie ne devient pas trop chaud.

Mise au rebut

- Respectez les consignes locales de recyclage et la réglementation en vigueur.
- Mettez au rebut tous les produits chimiques, tels que l'huile moteur ou l'antigel, dans un centre d'entretien ou une déchetterie appropriée.
- Lorsque vous n'utilisez plus le produit, renvoyez-le à un Husqvarnaconcessionnaire ou mettez-le au rebut dans une déchetterie.
- Mettez la batterie au rebut dans un centre d'entretien ou dans un point de collecte de piles usagées.

Caractéristiques techniques

Caractéristiques techniques

	LB 144	LB 244E
Moteur		

	LB 144	LB 244E
Marque	Husqvarna	Husqvarna
Modèle	HS 123A	HS 139AE
Type de moteur	Un cylindre, 4 temps, refroidissement par air forcé, OHV	Un cylindre, 4 temps, refroidissement par air forcé, OHV
Cylindrée, cm ³	123	139
Vitesse du moteur – nominale, tr/min	3 000/min	2 900/min
Puissance nominale du moteur, kW ⁶⁶	1,95	2,2
Système d'allumage		
Bougie	Husqvarna HQT-7	Husqvarna HQT-7
Écartement des électrodes, mm	0,7-0,8	0,7-0,8
Système de lubrification et de carburant		
Type de lubrification du moteur	Éclaboussures	Éclaboussures
Capacité du réservoir de carburant, l	0,9	0,9
Capacité du réservoir d'huile, l	0,5	0,5
Huile moteur ⁶⁷	Husqvarna SAE 30, Husqvarna SAE 5W-30 synthétique, Husqvarna SAE 10W-40	Husqvarna SAE 30, Husqvarna SAE 5W-30 synthétique, Husqvarna SAE 10W-40
Poids		
Réservoirs vides, en kg	22	23,5
Émissions sonores ⁶⁸		
Niveau de puissance acoustique mesuré, dB (A)	91	92
Niveau de puissance acoustique garanti L _{WA} , dB (A)	94	94
Niveaux sonores ⁶⁹		
Niveau de pression sonore à l'oreille de l'utilisateur, dB(A)	79	80

⁶⁶ La puissance nominale du moteur indiquée est la puissance nette moyenne (à un régime spécifié) d'un moteur de production classique pour le modèle de moteur mesurée selon la norme SAE J1349/ISO1585. Les moteurs produits à grande échelle peuvent s'écarter de cette valeur. La puissance de sortie effective du moteur installé sur le produit fini dépend de la vitesse de fonctionnement, des conditions environnementales et d'autres valeurs.

⁶⁷ Utilisez de l'huile moteur de qualité API SJ ou supérieure. Si l'huile SAE-30 est utilisée à une température inférieure à +5 °C, elle risque de ne pas lubrifier suffisamment le moteur. Cela peut endommager le moteur. Reportez-vous à la section *Remplacement de l'huile moteur* à la page 154 afin de connaître l'huile appropriée pour les basses températures. Reportez-vous au tableau de viscosité du manuel du moteur (le cas échéant) et sélectionnez la viscosité la mieux adaptée en fonction de la température extérieure prévue.

⁶⁸ Émissions sonores dans l'environnement mesurées comme puissance acoustique (L_{WA}) selon la directive européenne CE 2000/14/CE.

⁶⁹ Les données reportées pour le niveau de pression sonore montrent une dispersion statistique typique (déviation standard) de 1,2 dB (A).

	LB 144	LB 244E
Niveaux de vibrations ⁷⁰		
Vibrations de la poignée supérieure, m/s ²	7,6	6,0
Équipement de coupe		
Hauteur de coupe, mm	25-75	25-75
Largeur de coupe, mm	440	440
Système de coupe	Bioclip®	Bioclip®
Lame - standard	Broyeur 5464584-10	Broyeur 5464584-10
Système de démarrage		
Démarrateur électrique	Non	Oui
Batterie	-	Li-Ion, 10,8 V, 21,6 Wh

⁷⁰ Les données reportées pour le niveau de vibrations montrent une dispersion statistique typique (déviatoin standard) de 0,2 m/s².

Déclaration de conformité

Déclaration de conformité UE

Nous, **Husqvarna AB**, SE-561 82 Huskvarna, Suède,
tél : +46-36-146500, déclarons sous notre entière
responsabilité que le produit :

Description	Tondeuse
Marque	Husqvarna
Type/Modèle	LB 144, LB 244E
Identification	Les numéros de série à partir de 2023 et ultérieurs

est entièrement conforme à la réglementation et aux
directives de l'UE suivantes :

Réglementation	Description
2006/42/EC	« relative aux machines »
2014/30/UE	« relative à la compatibilité électromagnétique »
2000/14/EC	« relative aux émissions sonores dans l'environnement »
2011/65/UE	« relative à la limitation de l'utilisation de certaines substances dangereuses au sein d'équipements électriques et électroniques »

et que les normes et/ou les spécifications
techniques suivantes sont appliquées :
EN ISO 5395-1:2013+A1:2018, EN ISO
5395-2:2013+A1:2016+A2:2017, EN IEC 63000:2018,
EN ISO 14982:2009

Organisme notifié : 0404, SMP Svensk Maskinprovning
AB, Box 4053, SE-904 03 Umeå, Sweden a certifié
être conforme à la Directive du Conseil 2000/14/CE,
procédure d'évaluation de la conformité : Annexe VI.

Pour toute information relative aux émissions sonores,
voir *Caractéristiques techniques à la page 158*.

Huskvarna, 2023-09-18



Claes Losdal, Directeur du développement/Articles de
jardinage Husqvarna AB

Responsable de la documentation technique



Sadržaj

Uvod.....	162	Rješavanje problema na motoru.....	172
Sigurnost.....	163	Prijevoz, spremanje i zbrinjavanje.....	173
Sastavljanje.....	166	Tehnički podaci.....	173
Rad.....	166	Izjava o sukladnosti.....	176
Održavanje.....	167		

Uvod

Opis proizvoda

Proizvod je ručna rotacijska kosilica za travu koja upotrebljava funkciju BioClip za rezanje trave u gnojivo.

Pregled proizvoda

(Sl. 1)

1. Ručica kočnice motora
2. Ručka/upravljač
3. Ručica užeta pokretača (LB 144)
4. Poluga za visinu rezanja
5. Čep za ulje s mjernom šipkom
6. Prigušivač
7. Svjećica
8. Ručica za podizanje
9. Poluga za podešavanje visine za upravljač
10. Čep spremnika za gorivo
11. Filtar zraka
12. Pokrov noža
13. Oštrica
14. Opružna brtva
15. Vijak noža
16. Baterija, sigurnosni uređaj (LB 244E)
17. Gumb električnog pokretača (LB 244E)
18. Korisnički priručnik

Simboli na proizvodu

- (Sl. 2) **UPOZORENJE!** Budite oprezni i pravilno upotrebljavajte ovaj proizvod. Ovaj proizvod može izazvati teške ozljede ili smrt rukovatelja ili drugih osoba.
- (Sl. 3) Pažljivo pročitajte korisnički priručnik i prije korištenja dobro usvojite sadržaj.
- (Sl. 4) Pazite na izbačene predmete i odbijanja.
- (Sl. 5) Osobe i životinje držite na sigurnoj udaljenosti od radnog područja.
- (Sl. 6) **Upozorenje:** Ruke i stopala držite podalje od rotirajućeg noža.

Namjena

Proizvod upotrebljavajte za rezanje trave. Proizvod nemojte upotrebljavati za druge zadatke.

(Sl. 7) **Upozorenje:** Šake i stopala držite podalje od rotirajućih dijelova.

(Sl. 8) Prije popravaka ili održavanja zaustavite motor i uklonite kabel za paljenje.

(Sl. 9) Ovaj je proizvod u suglasnosti je s važećim direktivama EZ-a.

(Sl. 10) Najlepnicna emisije buke u okoliš u skladu s direktivama i propisima EU i UK te propisom Novog Južnog Walesa „Zaštita od radova u okolišu (kontrola buke) iz 2017“. Zajamčena razina jačine zvuka proizvoda naznačena je u odjeljku *Tehnički podaci na stranici 173* i na naljepnici.

(Sl. 11) Ovaj je proizvod u skladu s važećim direktivama UK-a.

(Sl. 12) **Opasnost od požara.**

(Sl. 13) Nemojte udisati ispušne pare. Ispušni plinovi iz motora sadrže ugljikov monoksid, vrlo opasan otrovni plin bez mirisa. Proizvod nemojte pokretati u zatvorenom ili uskom prostoru.

(Sl. 14) **Vruća površina.**

(Sl. 16) Prije pokretanja proizvoda motor napunite uljem.

(Sl. 17) **Pokretanje za LB 144:** Pritisnite ručku kočnice motora prema dolje i povucite ručicu užeta pokretača.

(Sl. 18) Pokretanje za LB 244E: Ručku kočnice motora pritisnite prema dolje i pritisnite gumb za pokretanje.

(Sl. 15) Kôd koji se može skenirati.

Napomena: Drugi simboli/naljepnice na proizvodu odnose se na zahtjeve za certifikaciju na drugim tržišnim područjima.

Oštećenje proizvoda

U sljedećim okolnostima nećemo biti odgovorni za oštećenja proizvoda:

- proizvod nepravilno popravljen
- proizvod popravljen dijelovima koje nije proizveo proizvođač ili nemaju odobrenje proizvođača
- proizvod ima dodatnu opremu koje nije proizveo proizvođač ili nemaju odobrenje proizvođača
- proizvod nije popravljen u odobrenom servisnom centru ili kod ovlaštene osobe.

Standard za emisije Euro V.



UPOZORENJE: Petljanjem po motoru gubite pravo na odobrenje EU-a ovog proizvoda.

Sigurnost

Sigurnosne definicije

Upozorenjima, oprezima i napomenama naglašavaju se posebno važni dijelovi priručnika.



UPOZORENJE: Koristi se kada nepoštivanje uputa iz priručnika može uzrokovati smrt ili ozljede rukovatelja ili promatrača.



OPREZ: Koristi se kada nepoštivanje uputa iz priručnika može uzrokovati oštećenje proizvoda ili drugih materijala u neposrednoj blizini.

Napomena: Koristi se prikaz neophodnih dodatnih informacija za zadanu situaciju.

Opće sigurnosne upute



UPOZORENJE: Prije upotrebe proizvoda pročitajte upute upozorenja u nastavku.

- Proizvod je opasan ako ga koristite nepravilno ili ako niste oprezni. Nepoštivanje sigurnosnih uputa može uzrokovati ozljede ili smrt.
- Proizvod tijekom rada proizvodi elektromagnetsko polje. To polje u određenim okolnostima može ometati aktivne ili pasivne medicinske implantate. Za smanjenje opasnosti od smrtonosne ozljede osobama s medicinskim implantatima prije korištenja uređaja preporučujemo obraćanje liječniku i proizvođaču medicinskog implantata.
- Uvijek budite pažljivi i razumni. Ako u posebnim situacijama niste sigurni u način upotrebe stroja, prije nastavka stanite i obratite se svom distributeru tvrtke Husqvarna.

- Imajte na umu kako se rukovatelj smatra odgovornim za nezgode koje uključuju druge osobe ili njihovo vlasništvo.
- Proizvod održavajte čistim. Znakovi i naljepnice moraju biti jasno čitljivi.
- Osobama dopustite upotrebu proizvoda samo ako su pročitali i usvojili sadržaj uputa za rukovanje.
- Djeci nemojte dopustiti upotrebu proizvoda.
- Djecu držite podalje od područja rada. Cijelo vrijeme mora biti prisutna odgovorna odrasla osoba.
- Osobama koje nisu upoznate s uputama nemojte dopustiti upotrebu proizvoda.
- Osobu smanjenih fizičkih ili mentalnih sposobnosti obavezno nadzirite tijekom uporabe proizvoda. Cijelo vrijeme mora biti prisutna odgovorna odrasla osoba.
- Proizvod nemojte upotrebljavati kada ste umorni, bolesni ili pod utjecajem alkohola, droge ili lijekova. To negativno utječe na vaš vid, pažnju, koordinaciju i prosudbu.
- Nemojte upotrebljavati proizvod koji je izmijenjen ili neispravan.
- Nemojte izmjenjivati proizvod ili ga upotrebljavati ako postoji mogućnost da je izmijenjen.
- Nemojte mijenjati prilagodbe za kontrolu brzine motora.

Sigurnost na radnom mjestu



UPOZORENJE: Prije korištenja proizvoda pročitajte upozoravajuće upute u nastavku.

- Prije upotrebe proizvoda iz radnog područja uklonite sve predmete poput grana, prutova i kamenja.
- Objekti koji udare u reznu opremu mogu biti izbačeni te uzrokovati ozljede ili oštećenja. Promatrače i životinje držite na sigurnoj udaljenosti od proizvoda.
- Proizvod nikada nemojte upotrebljavati u lošim vremenskim uvjetima kao što su magla, kiša,

jak vjetar, intenzivna hladnoća i pri opasnosti od grmljavinskog nevremena. Upotreba proizvoda po lošem vremenu ili na vlažnim ili mokrim lokacijama je zamorna. Pri lošem vremenu mogu nastati opasni uvjeti, primjerice skliske površine.

- Pazite na osobe, predmete i situacije koje mogu onemogućiti siguran rad proizvoda.
- Pazite na prepreke poput korijenja, kamenja, prutova, jama i jaraka. Visoka trava može sakrivati prepreke.
- Košenje trave na nagibima može biti opasno. Proizvod nemojte upotrebljavati na tlu s nagibom većim od 15°.
- Proizvod upotrebljavajte poprečno preko nagiba. Nemojte se kretati prema gore i dolje.
- Oprezno prilazite skrivenim kutovima i predmetima koji onemogućavaju jasan pregled.

Sigurnost pri radu



UPOZORENJE: Prije korištenja proizvoda pročitajte upozoravajuće upute u nastavku.

- Proizvod upotrebljavajte samo za košenje travnjaka. Upotreba za druge zadatke nije dopuštena.
- Upotrebljavajte osobnu zaštitnu opremu. Pogledajte *Oprema za osobnu zaštitu na stranici 164*.
- Provjerite znate li brzo zaustaviti motor u slučaju nužde.
- Nikada nemojte pokretati motor u zatvorenom prostoru ili u blizini zapaljivog materijala. Ispušne pare motora vruće su i mogu sadržavati vruće iskre koje mogu uzrokovati požar.
- Proizvod upotrebljavajte samo ako su nož i svi štitnici pravilno postavljeni. Nepravilno postavljen nož može se otpustiti i uzrokovati osobne ozljede.
- Pazite da nožem ne udarate u predmete poput kamenja ili korijenja. Time možete oštetiti nož i saviti vratilo motora. Savijena osovina uzrokuje snažne vibracije i vrlo visoku opasnost od otpuštanja noža.
- Ako nožem udarite u predmet ili osjetite vibracije, odmah zaustavite proizvod. Odspojite kabel za paljenje od svjećice. Pregledajte je li proizvod oštećen. Popravite oštećenja ili popravak prepustite ovlaštenom serviseru.
- Ručicu kočnice motora nikada trajno nemojte pričvrstiti za ručku kada je motor u pogonu.
- Proizvod postavite na stabilnu, ravnu površinu i pokrenite ga. Noževi ne smiju udarati u tlo ili druge predmete.
- Tijekom rukovanja proizvodom obavezno budite iza njega.
- Tijekom rukovanja proizvodom svi kotači trebaju biti na tlu, a 2 ruke na ručki. Ruke i stopala držite podalje od rotirajućih noževa.
- Proizvod nemojte naginjati kada je motor pokrenut.
- Budite pažljivi pri povlačenju proizvoda unatrag.

- Proizvod nikada nemojte podizati kada je motor pokrenut. Ako proizvod morate podići, prvo zaustavite motor i odspojite kabel za paljenje od svjećice.
- Tijekom rada s proizvodom nemojte hodati unatrag.
- Zaustavite motor prilikom prelaska preko velikih površina bez trave, primjerice šljunčanih, kamenih i asfaltnih staza.
- Nemojte trčati s proizvodom kada je motor pokrenut. Obavezno hodajte tijekom rada s proizvodom.
- Prije promjene visine rezanja zaustavite motor. Nemojte provoditi prilagodbe s pokrenutim motorom.
- Proizvod s pokrenutim motorom ne ispuštajte iz vida. Zaustavite motor i provjerite je li rezna oprema zaustavljena.

Sigurnosne upute za rad

Oprema za osobnu zaštitu



UPOZORENJE: Prije uporabe proizvoda pročitajte upozoravajuće upute u nastavku.

- Oprema za osobnu zaštitu ne može u potpunosti spriječiti ozljede, no smanjuje stupanj ozljede u slučaju nezgode. Pri odabiru odgovarajuće opreme zatražite pomoć ovlaštenog trgovca.
- Upotrebljavajte zaštitu sluha ako je razina buka veća od 85 dB.
- Nosite čizme otporne na klizanje ili cipele za teške uvjete rada. Nemojte nositi otvorene cipele ili biti bos.
- Nosite teške, duge hlače.
- Prema potrebi nosite zaštitne rukavice, primjerice prilikom pričvršćivanja, pregleda ili čišćenja rezne opreme.

Sigurnosni uređaji na proizvodu



UPOZORENJE: Prije upotrebe proizvoda pročitajte upute upozorenja u nastavku.

- Proizvod nemojte upotrebljavati sa sigurnosnim uređajima koji su oštećeni ili nisu ispravni.
- Redovito pregledavajte sigurnosne uređaje. Ako su sigurnosni uređaji oštećeni ili nisu ispravni, obratite se serviseru tvrtke Husqvarna.
- Sigurnosne uređaje nije dopušteno izmjenjivati.

Provjera reznog poklopca

Rezni poklopac smanjuje vibriranje proizvoda te opasnost od ozljede nožem.

- Provjerite ima li na pokrovu noža oštećenja, primjerice napuklina.

Baterija (LB 244E)



UPOZORENJE: Oštećena baterija smanjuje sigurnost proizvoda. Obavezno upotrebljavajte bateriju s odobrenjem proizvođača.

Baterija napaja električno pokretanje te je sigurnosni uređaj koji sprječava slučajno pokretanje. Izvadite bateriju kada ne radite s proizvodom ili kad ga ostavljate bez nadzora.

Provjera ručice kočnice motora

Ručicom kočnice motora zaustavljate motor. Motor se zaustavlja po otpuštanju ručice kočnice motora.

- Pokrenite motor i potom otpustite ručicu kočnice motora. Ako se motor ne zaustavi za 3 sekunde, podesite kočnicu motora kod servisera tvrtke Husqvarna. (Sl. 19)

Prigušivač

Prigušivač razinu buke održava na minimumu i ispušne plinove usmjerava dalje od rukovatelja.

Nemojte upotrebljavati proizvod bez prigušivača ili s oštećenim prigušivačem. Oštećen prigušivač povećava razinu buke i opasnost od požara.



UPOZORENJE: Prigušivač se tijekom rada, nakon rada te kada motor pogonite u praznom hodu jako zagrije. Budite oprezni u blizini zapaljivih materijal i/ili para kako biste spriječili požar.

Provjera prigušivača

- Redovito provjeravajte je li prigušivač pravilno pričvršćen i neoštećen.

Sigurnost pri rukovanju gorivom



UPOZORENJE: Prije upotrebe proizvoda pročitajte upute upozorenja u nastavku.

- Nemojte pokretati proizvod ako u njemu ima goriva ili motornog ulja. Uklonite neželjeno gorivo/ulje i pričekajte na sušenje proizvoda.
- Ako gorivo proljetje po odjeci, odmah se presvućite.
- Gorivu nemojte dopustiti kontakt s tijelom jer može uzrokovati ozljede. Ako dođe do kontakta goriva s tijelom, sapunom i vodom isperite gorivo.
- Nemojte pokretati proizvod ako motor propušta. Redovito pregledavajte ima li na motoru curenja.
- Budite pažljivi s gorivom. Gorivo je zapaljivo, a pare su eksplozivne i mogu uzrokovati ozljede i smrt.
- Nemojte udisati pare goriva, one mogu uzrokovati ozljede. Osigurajte dovoljan protok zraka.

- U blizini goriva ili motora nemojte pušiti.
- U blizini goriva ili motora nemojte stavljati vruće predmete.
- Nemojte ulijevati gorivo kada je motor uključen.
- Prije ulijevanja goriva provjerite je li motor hladan.
- Prije ulijevanja goriva polako otvorite čep spremnika goriva i pažljivo ispusite tlak.
- Nemojte ulijevati gorivo u motor u zatvorenom prostoru. Nedovoljan protok zraka može uzrokovati ozljede ili smrt zbog gušenja ili trovanja ugljičnim monoksidom.
- Potpuno zategnite čep spremnika goriva. Ako čep spremnika goriva nije zategnut, postoji opasnost od požara.
- Prije pokretanja proizvod odmaknite najmanje 3 m / 10' od mjesta punjenja spremnika.
- Spremnik za gorivo nemojte puniti do kraja. Zagrijavanje uzrokuje širenje goriva. Ostavite mjesta pri vrhu spremnika za gorivo.
- Proizvod s gorivom u spremniku za gorivo nikada nemojte skladištiti u zgradu s izvorima zapaljenja poput bojlera, grijalica ili sušilica odjeće. Prije skladištenja u bilo koji zatvoreni prostor pričekajte da se motor ohladi.

Sigurnosne upute za održavanje



UPOZORENJE: Prije korištenja proizvoda pročitajte upozoravajuće upute u nastavku.

- Ispušni plinovi iz motora sadrže ugljikov monoksid, vrlo opasan otrovni plin bez mirisa. Proizvod nemojte pokretati u zatvorenom ili uskom prostoru.
- Prije održavanja proizvoda zaustavite motor i odspojite kabel za paljenje od svjećice. Na LB 244E također uklonite bateriju.
- Tijekom održavanja rezne opreme nosite zaštitne rukavice. Nož je vrlo oštar i lako dolazi do posjekotina.
- Dodatna oprema i izmjene proizvoda bez odobrenja proizvođača mogu uzrokovati ozbiljne ozljede ili smrt. Nemojte mijenjati proizvod. Obavezno upotrebljavajte dijelove s odobrenjem proizvođača.
- Ako se održavanje ne provodi ispravno i redovno, povećava se opasnost od ozljede i oštećenja proizvoda.
- Održavanje provodite isključivo prema uputama iz ovog priručnika za vlasnika. Sva druga servisiranja mora provoditi ovlašteni servisier tvrtke Husqvarna.
- Redovno servisirajte proizvod kod ovlaštenog servisera tvrtke Husqvarna.
- Zamijenite oštećene, istrošene ili polomljene dijelove.

Sastavljanje

Uvod



UPOZORENJE: Prije sastavljanja proizvoda morate pročitati i usvojiti poglavlje o sigurnosti.



UPOZORENJE: Prije sastavljanja proizvoda sa svječiće uklonite kabel svječiće.

Sastavljanje ručke

1. Povucite ručku unatrag dok ne bude u krajnjem položaju. (Sl. 20)

2. Zategnite kotačiće ručke. (Sl. 21)

Prilagođavanje visine ručke

1. Poluga za podešavanje visine mora biti u utoru. Ako poluga za podešavanje visine nije postavljena u utor, pritisnite je stopalom. (Sl. 22)
2. Nogom pritisnite polugu za podešavanje visine.
3. Upravljač postavite u ispravan položaj i otpustite ga. (Sl. 23)

Rad

Uvod



UPOZORENJE: Prije rada s proizvodom morate pročitati i usvojiti poglavlje o sigurnosti.

Husqvarna Connect

Husqvarna Connect besplatna je aplikacija za mobilni uređaj. Aplikacija Husqvarna Connect pruža vam dodatne funkcije za proizvod Husqvarna.

- Opširnije informacije o proizvodu.
- Dodatne informacije i pomoć za dijelove i servisiranje proizvoda.

Početak rada sa Husqvarna Connect

1. Preuzmite aplikaciju Husqvarna Connect na svoj mobilni uređaj.
2. Prijavite se na aplikaciju Husqvarna Connect.
3. Pratite upute u aplikaciji Husqvarna Connect kako biste se spojili i registrirali proizvod.

Prije rada s proizvodom

1. Pažljivo pročitajte priručnik za rukovatelja i dobro usvojite upute.
2. Pregledajte reznu opremu i uvjerite se da je pravilno pričvršćena i podešena. Pogledajte *Za pregled rezne opreme na stranici 169*.
3. Provjerite razinu ulja i po potrebi nadopunite motornim uljem. Pogledajte *Provjera razinu ulja na stranici 169*.
4. Napunite spremnik za gorivo. Pogledajte *Ulijevanje goriva na stranici 166*.

Ulijevanje goriva

Ako je dostupno, upotrebljavajte benzin s niskim emisijama/alkilatno gorivo. Ako benzin s niskim emisijama/alkilatno gorivo nije dostupno, upotrebljavajte kvalitetno bezolovni benzin ili olovni benzin s najmanjim oktanskim brojem od 91.



OPREZ: Nemojte upotrebljavati benzin s oktanskim brojem manjim od 91 RON. Tako možete oštetiti proizvod.



OPREZ: Jedanput godišnje ili po potrebi i češće zamijenite filter za gorivo. Novi filter goriva dostupan je kod zastupnika tvrtke Husqvarna.



OPREZ: Prije ulijevanja goriva obavezno zaustavite motor.



OPREZ: Nemojte upotrebljavati tekućine za pokretanje pod tlakom.

1. Čep spremnika goriva otvarajte polako kako biste otpustili tlak.
2. Punite polako s pomoću kantice za gorivo. Ako prolijete gorivo, obrišite ga krpom i pričekajte na sušenje preostalog goriva. (Sl. 24)
3. Očistite područje oko čepa spremnika goriva.
4. Potpuno zategnite čep spremnika goriva. Ako čep spremnika goriva nije zategnut, postoji opasnost od požara.

5. Prije pokretanja proizvod odmaknite najmanje 3 m / 10' od mjesta punjenja spremnika.

Postavljanje proizvoda u položaj za rad

1. Postavite ručku. Pogledajte *Sastavljanje ručke na stranici 166*.
2. Prilagodite visinu ručke. Pogledajte *Prilagođavanje visine ručke na stranici 166*.



OPREZ: Kabeli ne smiju biti previše zategnuti. Prevelika zategnutost može izazvati oštećenja kabela ako se ručka preklopi u položaj za transport.



UPOZORENJE: Proizvod nemojte upotrebljavati ako ručka nije potpuno podignuta i postavljena u jedan od primjenjivih položaja visine. Pogledajte *Prilagođavanje visine ručke na stranici 166*.

Postavljanje visine rezanja

Visinu rezanja moguće je namjestiti na 6 različitih koraka.

1. Zaustavite motor.
2. Polugu za visinu rezanja pomaknite unatrag kako biste povećali visinu rezanja. (Sl. 25)
3. Polugu za visinu rezanja pomaknite naprijed kako biste smanjili visinu rezanja.



OPREZ: Visinu rezanja nemojte postaviti prenisko. Noževi mogu udariti u tlo ako površina travnjaka nije ravna.

Pokretanje proizvoda

- Provjerite je li kabel za paljenje priključen na svjećicu.

Ručno pokretanje (LB 144)

1. Stanite iza proizvoda.
2. Ručicu kočnice motora stisnite uz gornji rukohvat. (Sl. 26)
3. Ručicu užeta pokretača držite desnom rukom.
4. Polako izvlačite užu pokretača dok ne osjetite otpor.

5. Snažno povucite za pokretanje motora.



UPOZORENJE: Nikad ne omotavajte užu pokretača oko šake.

Električno pokretanje (LB 244E)

1. Provjerite je li baterija napunjena. Pogledajte *Održavanje baterije (LB 244E) na stranici 170*.
2. Pričvrstite bateriju za motor. Baterija se učvršćuje u položaju sa škljocajem. (Sl. 27)
3. Ostanite iza proizvoda i ručicu kočnice motora (A) držite uz gornju ruku. (Sl. 28)
4. Pritisnite i 3 – 5 sekundi zadržite gumb za električno pokretanje (B). Motor se pokreće.

Napomena: Ako se motor ne pokrene, pričekajte 1 minutu i ponovno pokušajte pokrenuti proizvod.

Zaustavljanje proizvoda

- Za zaustavljanje motora otpustite kočnu polugu motora.

Uklanjanje baterije (LB 244E)

Kako biste spriječili slučajno pokretanje motora, uklonite bateriju kada ne upotrebljavate proizvod.

- Pritisnite gumb za zaključavanje (A) i izvucite bateriju. (Sl. 29)

Za dobar ishod

- Uvijek upotrebljavajte oštar nož. Tup nož daje nepravilne rezultate, a rezana površina trave požuti. Oštar nož također troši manje energije od tupog.
- Nemojte rezati više od $\frac{1}{3}$ od duljine trave. Prvo kosite s visoko postavljenom visinom za rezanje. Provjerite rezultat i spustite visinu rezanja na prihvatljivu razinu. Ako je trava vrlo dugačka, vozite polako i po potrebi kosite 2 puta.
- Svaki put kosite u drugom smjeru kako biste spriječili nastanak traka na travnjaku.
- Pokrov noža mora biti čist. Nakupine trave i prljavštine s unutarnje strane pokrova noža mogu umanjiti rezultate rezanja. Pogledajte *Za čišćenje unutarnje površine pokrova noža na stranici 168*.

Održavanje

Uvod



UPOZORENJE: Prije održavanja morate pročitati i usvojiti poglavlje o sigurnosti.

Za sve radove servisiranja i održavanja na proizvodu potrebna je posebna obuka. Jamčimo dostupnost profesionalnih popravaka i servisa. Ako vaš distributer nije serviser, od njega zatražite informacije o najbližem serviseru.

Detaljnije informacije potražite pod www.husqvarna.com.

Raspored održavanja

čišćenja proizvoda obavezno morate ukloniti bateriju.



OPREZ: Pri nagnjanju proizvoda filter zraka nemojte nasloniti na tlo nego ga podignite u zrak. Opasnost od oštećenja motora.

Intervali održavanja izračunati su za dnevnu upotrebu proizvoda. Intervali se mijenjaju ako se proizvod ne upotrebljava svakodnevno.

Za održavanja označena s * pogledajte upute u *Sigurnosni uređaji na proizvodu na stranici 164.*



OPREZ: Kod modela s električnim pokretanjem prije održavanja, popravaka ili

Održavanje	Dnevno	Mjesečno	Svake sezone
Provedite opći pregled	X		
Provjerite razinu ulja	X		
Zamijenite ulje (prvi put nakon 5 h upotrebe, potom nakon svakih 50 h upotrebe) ⁷¹			X
Čišćenje proizvoda	X		
Očistite područje oko poluge za podešavanje visine ručke	X		
Pregledajte reznu opremu	X		
Pregledajte pokrov noža *	X		
Pregledajte ručicu kočnice motora *	X		
Pregledajte prigušivač *		X	
Pregledajte svječiću. Ako je potrebno, očistite ili zamijenite svječiću			X
Pregledajte filter zraka	X		
Očistite filter zraka. ⁷²		X	
Zamijenite filter zraka			X
Pregledajte sustav goriva			X
Očistite rashladna rebra na cilindru		X	

Za opći pregled

- Provjerite jesu li sve matice i vijci na proizvodu pravilno pritegnuti.

Za vanjsko čišćenje proizvoda

- Četkom uklonite lišće, travu i onečišćenja.
- Provjerite prohodnost dovoda zraka na vrhu motora.
- Za čišćenje proizvoda nemojte koristiti visokotlačni stroj za pranje.
- Ako proizvod čistite vodom, nemojte izlijevati vodu izravno na motor.

Čišćenje područja oko poluge za podešavanje visine ručke

- Četkom uklonite lišće, travu i onečišćenja. (Sl. 30)

Za čišćenje unutarnje površine pokrova noža

1. Ispraznite spremnik za gorivo.
2. Nagnite proizvod. Svječića mora biti usmjerena prema gore.

⁷¹ Ako se proizvod pogoni pod velikim opterećenjem ili pri visokim temperaturama okoline, motorno ulje zamijenite svakih 25 sati.

⁷² Čistite češće ako ste u prašnjavim uvjetima ili se u zraku nalaze ostaci. Ako je filter zraka vrlo prljav, zamijenite ga.



OPREZ: Ako proizvod položite tako da je filter zraka na donjoj strani, možete oštetiti motor.

- Unutarnju površinu pokrova noža isperite vodom.

Za pregled rezne opreme



UPOZORENJE: Odvojite kabel za paljenje od svjeće kako biste spriječili slučajno pokretanje.



UPOZORENJE: Tijekom održavanja rezne opreme nosite zaštitne rukavice. Nož je vrlo oštar i lako dolazi do posjekotina.

- Pregledajte ima li na reznoj opremi oštećenja ili pukotina. Oštećenu reznu opremu obavezno zamijenite.
- Pregledajte nož kako biste ustanovili je li oštećen ili tup.

Napomena: Nakon oštrenja nož je nužno uravnotežiti. Nož naoštrite, zamijenite i uravnotežite u servisnom centru. Ako se pri udaru u prepreku proizvod zaustavi, zamijenite oštećeni nož. Procjenu za oštrenje ili zamjenu noža prepustite servisnom centru.

Zamjena noža

- Blokirajte nož drvenim blokom. (Sl. 31)
- Uklonite vijak noža i opružnu podlošku.
- Uklonite nož.
- Provjerite jesu li nosač noža i vijak noža neoštećeni.
- Pregledajte vratilo motora kako biste se uvjerali da je neoštećeno.
- Zaobljene rubove novog noža pri postavljanju usmjerite prema pokrovu noža. (Sl. 32)
- Nož mora biti poravnat sa središtem vratila motora.
- Blokirajte nož drvenim blokom. Postavite elastični rasječeni prsten i zategnite vijak i podlošku na zatezni moment od 44-46 Nm. (Sl. 33)
- Ručno povucite nož u krug kako biste provjerili okreće li se slobodno.



UPOZORENJE: Nosite rukavice za teške uvjete rada. Nož je vrlo oštar i lako dolazi do posjekotina.

- Pokrenite proizvod kako biste ispitali nož. Ako nož nije ispravno pričvršćen, proizvod vibrira ili ishod košenja nije zadovoljavajuć.

Provjera razinu ulja



OPREZ: Preniska razina ulja može uzrokovati oštećenje motora. Prije pokretanja proizvoda provjerite razinu ulja.

- Postavite proizvod na ravno tlo.
- Skinite čep spremnika za ulje i pričvršćenu šipku za mjerenje razine ulja.
- Očistite ulje sa šipke za mjerenje razine ulja.
- Šipku za mjerenje razine ulja u potpunosti vratite u spremnik za ulje.
 - Nemojte postavljati poklopac spremnika za ulje na LB 144.
 - Postavite poklopac spremnika za ulje na LB 244E.
- Uklonite čep spremnika ulja i mjernu šipku.
- Provjerite razinu ulja na pričvršćenoj šipci za mjerenje razine ulja.
- Ako je razina ulja niska, napunite motornim uljem i ponovno provjerite razinu ulja. (Sl. 34)

Napomena: Upotrijebite lijevak za ulje kako biste spriječili prosipanje.

- Nakon utvrđivanja ispravne razine ulja, postavite čep spremnika za ulje.

Zamjena motornog ulja



UPOZORENJE: Motorno ulje vrlo je vruće neposredno nakon zaustavljanja motora. Prije ispuštanja motornog ulja pričekajte da se ohladi. Ako motorno ulje proliježe po koži, očistite sapunom i vodom.

(Sl. 35)

- Proizvod upotrebljavajte dok ne ispraznite spremnik goriva.
- Odvojite kabel za paljenje od svjeće.
- Uklonite čep spremnika ulja s pričvršćenom šipkom za mjerenje razine ulja.
- Ispod proizvoda stavite posudu za skupljanje motornog ulja.
- Nagnite proizvod ili ispraznite motorno ulje iz spremnika ulja pumpom za ulje (dodatna oprema).
- Napunite novim motornim uljem preporučenim u *Tehnički podaci na stranici 173*.
- Provjerite razinu ulja. Pogledajte *Provjera razine ulja na stranici 169*.
- Kada je razina ulja ispravna, postavite čep spremnika ulja.

Filtar zraka

Onečišćen filter zraka može uzrokovati oštećenje ili neispravan rad motora. Filtar zraka održavajte češće u prašnjavim uvjetima. Pogledajte *Raspored održavanja na stranici 168* za informacije o zamjeni filtra zraka.

Napomena: Oštećeni filter zraka obavezno zamijenite.

Uklanjanje i ugradnja filtra zraka (LB 244E)



UPOZORENJE: Upotrebljavajte zaštitne rukavice.

1. Otpustite kopče na poklopcu filtra zraka.
2. S motora pažljivo uklonite poklopac filtra zraka (A).
3. Uklonite filter zraka (B). (Sl. 36)
4. Provjerite je filter zraka neoštećen. Oštećeni filter zraka zamijenite.
5. Očistite i pregledajte filter zraka. Pogledajte *Čišćenje filtra zraka (LB 244E) na stranici 170*.
6. Ugradite obrnutim redoslijedom.

Čišćenje filtra zraka (LB 244E)

Onečišćen filter zraka može uzrokovati oštećenje ili neispravan rad motora. Pročistač zraka održavajte češće u prašnjavim uvjetima.

Pogledajte *Raspored održavanja na stranici 168* za informacije o zamjeni filtra zraka.

1. Uklonite poklopac filtra zraka i izvadite filter zraka.
2. Očistite filter lupanjem po ravnoj površini. Filtar zraka nemojte čistiti petrolejom, kerozinom ili komprimiranim zrakom.

Napomena: Dugo korištene filtre zraka nije moguće potpuno očistiti. Filtar zraka mijenjajte u redovnim intervalima. Oštećeni filter zraka obavezno morate zamijeniti.

3. Pri sastavljanju filtra zraka provjerite brtvi li dobro uz držač filtra.

Čišćenje pjenastog plastičnog filtra (LB 144)



OPREZ: Nemojte pokretati motor bez filtra zraka. Trošenje motora se povećava ako je zrak onečišćen.

1. Skinite poklopac filtra zraka (A). (Sl. 37)
2. Skinite pjenaste plastične filtre (B).



OPREZ: Provjerite jesu li pjenasti plastični filtri oštećeni ili istrošeni.

Zamijenite sve oštećene pjenaste plastične filtre.

3. Pjenaste plastične filtre očistite sapunom i vodom.
4. Isperite pjenaste plastične filtre čistom vodom.
5. Istisnite vodu iz pjenastih plastičnih filtra i pustite ih da se osuše.



OPREZ: Nemojte upotrebljavati stlačeni zrak. Njime možete oštetiti pjenasti plastični filter.

6. Podmažite pjenaste plastične filtre motornim uljem.
7. Pjenasti plastični filter pritisnite čistom krpom kako biste uklonili višak ulja.
8. Postavite pjenaste plastične filtre. Provjerite brtve li pjenasti plastični filtri u potpunosti uz držač filtra zraka.
9. Ugradite poklopac filtra zraka.

Održavanje baterije (LB 244E)

Bateriju nije potrebno održavati. Ako je potrebno, servisiranje baterije prepustite isključivo odobrenom servisnom centru.

Prva upotreba baterije (LB 244E)



OPREZ: Baterija se ne smije isprazniti. Ako se baterija isprazni, može doći do njenog oštećenja.

Morate napuniti bateriju prije prve upotrebe.

1. Punjač baterije priključite na bateriju. Pogledajte *Punjenje baterije (LB 244E) na stranici 170*.
2. Pričekajte da zasvijetli barem jedan zeleni LED indikator.
3. Pričvrstite bateriju za motor. Pogledajte *Električno pokretanje (LB 244E) na stranici 167*.

Punjenje baterije (LB 244E)

Ako je na bateriji uključen jedan indikator ili nema uključenih indikatora, morate je napuniti. Prazna baterija potpuno se napuni za dva sata. Kraća razdoblja punjenja ne oštećuju bateriju.

1. Punjač baterije priključite na bateriju. (Sl. 38)
2. Punjač baterije priključite na električnu utičnicu od 100 – 240 V, 50 – 60 Hz.
3. Prvo odspojite punjač od električne utičnice, a zatim odspojite punjač od baterije.

Status punjenja baterije

LED zaslon na bateriji	Status
Indikator LED 1 treperi crvenim svjetlom.	1% – 9%

LED zaslon na bateriji	Status
Indikator LED 1 svijetli neprestanim crvenim svjetlom.	10% – 32%
Indikator LED 1 svijetli zelenim, a indikator LED 2 crvenim svjetlom.	33% – 54%
Indikatori LED 1 i 2 svijetle zelenim, a indikator LED 3 crvenim svjetlom.	55% – 77%
Indikatori LED 1, 2 i 3 svijetle zelenim, a indikator LED 4 crvenim svjetlom.	78% – 100%

Indikator na punjaču baterije	Status
Konstantno crveno svjetlo	Baterija se puni.
Konstantno zeleno svjetlo	Baterija je potpuno napunjena.

Provjera svjećice



OPREZ: Uvijek koristite preporučenu vrstu svjećice. Neodgovarajuća vrsta svjećice može oštetiti proizvod.

- Ako motor nema snage, teško se pokreće ili ne radi ispravno u praznom hodu, pregledajte svjećicu.
- Za smanjenje opasnosti od nepoželjnog materijala na elektrodama svjećice pratite sljedeće upute:
 - a) Provjerite je li broj okretaja pri praznom hodu pravilno podešen.
 - b) Provjerite ispravnost mješavine goriva.
 - c) Provjerite je li filter zraka čist.
- Ako je svjećica prljava, očistite je i provjerite ispravnost zazora elektroda, pogledajte. *Tehnički podaci na stranici 173.* (Sl. 39)

- Ako je potrebno, zamijenite svjećicu.

Pregled sustav goriva

- Pregledajte čep spremnika za gorivo i uvjerite se kako su neoštećeni.
- Pregledajte crijevo goriva kako biste se uvjerali da nema propuštanja. Ako je crijevo goriva oštećeno, zamijenite ga kod servisera.

Za pražnjenje spremnika goriva

1. Postavite posudu ispod spremnika goriva.
2. Uklonite čep spremnika goriva.
3. Pritisnite kopče za crijeva na crijevu za dovod goriva uz rasplinjač.
4. Uklonite crijevo za dovod goriva iz rasplinjača.
5. Postavite crijevo za dovod goriva u spremnik i skinite kopče za crijeva.
6. Nagnite proizvod i isпустite gorivo u spremnik.

Zamjena filtra za gorivo



UPOZORENJE: Nosite zaštitne rukavice.

1. Ispraznite spremnik goriva.
2. Pomaknite kopče za crijeva dalje od spremnika goriva. (Sl. 40)
3. Uklonite crijevo za dovod goriva iz spremnika goriva. Moguće je istjecanje manje količine goriva. (Sl. 41)
4. Uklonite filter za gorivo iz spremnika goriva. (Sl. 42)
5. Instalirajte novi filter za gorivo u spremniku goriva.
6. Pričvrstite crijevo za dovod goriva na spremnik goriva.
7. Postavite kopču za crijeva u položaj uz spremnik goriva.

Rješavanje problema na motoru

Problem	Mogući uzrok	Rješenje
Motor se ne pokreće.	Kabel paljenja nije pravilno priključen.	Priključite kabel paljenja na svjećicu.
	Spremnik za gorivo je prazan.	Napunite spremnik za gorivo odgovarajućom vrstom goriva.
	Gorivo je staro.	Ispraznite spremnik za gorivo i rasplinjač. Napunite ga novim gorivom.
	Prjavština u rasplinjaču ili dovodu goriva.	Očistite rasplinjač i/ili dovod goriva.
	Svjećica je oštećena.	Prilagodite razmak elektroda, očistite ili zamijenite svjećicu.
	Na svjećici ima goriva.	Očistite svjećicu.
Motor se ne zaustavlja.	Mehanizam za zaustavljanje ne radi ispravno.	Odspojite kabel paljenja od svjećice. Popravak proizvoda prepustite odobrenom serviseru.
Motor ne radi neometano.	Kabel paljenja nije pravilno priključen.	Priključite kabel paljenja na svjećicu.
	Dovod goriva je onečišćen ili je gorivu istekao rok.	Očistite dovod goriva. Napunite spremnik goriva novim gorivom odgovarajuće vrste.
	Čep spremnika za gorivo je blokiran.	Očistite čep spremnika za gorivo.
	U sustavu goriva je voda ili je onečišćen.	Ispraznite spremnik goriva. Napunite spremnik goriva novim gorivom odgovarajuće vrste.
	Filtar zraka je prljav.	Očistite filtarski zrak.
	Morate podesiti rasplinjač.	Podešavanje rasplinjača prepustite serviseru.
Motor se previše zagrijava.	Razina ulja u motoru je preniska.	Nadolijte motorno ulje.
	Protok zraka nije dovoljan.	Očistite filtarski zrak i kućište filtra zraka.
	Morate podesiti rasplinjač.	Podešavanje rasplinjača prepustite serviseru.
Kada motor radi visokom brzinom, dolazi do zatajenja paljenja u motoru.	Razmak elektroda na svjećici je prevelik.	Prilagodite razmak elektroda.
Motor tijekom uobičajenog rada proizvodi neobične zvukove.	Neispravna vrsta goriva.	Ispraznite spremnik za gorivo i rasplinjač. Napunite ga novim gorivom. Pogledajte <i>Pregled sustav goriva na stranici 171</i> . Ako se problem nastavi pojavljivati, obratite se lokalnom servisnom zastupniku.

Problem	Mogući uzrok	Rješenje
Motor ne radi neometano u praznom hodu.	Svječica je onečišćena, neispravna ili je prevelik razmak između elektroda.	Prilagodite razmak elektroda ili zamijenite svječicu.
	Morate podesiti rasplinjač.	Podesite rasplinjač.
	Filtar zraka je prljav.	Očistite filtara zraka.

Prijevoz, spremanje i zbrinjavanje

Prijevoz i skladištenje

- Za prijevoz i skladištenje proizvoda i goriva uvjerite se kako nema propuštanja ili isparavanja. Iskre ili otvoren plamen, primjerice od električnih uređaja ili bojlera, mogu uzrokovati požar.
- Za prijevoz i skladištenje goriva obavezno upotrebljavajte odobrene spremnike.
- Prije dugotrajnog skladištenja proizvoda ispraznite spremnik za gorivo. Zbrinite gorivo na prikladnoj lokaciji za zbrinjavanje
- Čvrsto osigurajte proizvod za prijevoz kako biste spriječili oštećenja i nezgode.
- Proizvod čuvajte u zaključanom prostoru kako biste onemogućili pristup djeci ili osobama bez odobrenja.
- Proizvod skladištite u suhom prostoru bez mraza.

Postavljanje proizvoda u položaj za prijevoz

1. Otpustite kotačiće ručke. (Sl. 43)
2. Ručku preklonite prema naprijed dok ne bude u krajnjem položaju. (Sl. 44)

Transport i pohrana baterije i punjača

- Bateriju nemojte uklanjati dok se proizvod ne zaustavi i ne ohladi. Za uklanjanje baterije pritisnite i držite gumb na gornjem dijelu baterije i uklonite je iz utora.
- Ako bateriju pohranjuje na duže od 30 dana, napunite je dok više od 3 indikatora ne svijetle zelenom bojom.

- Napunite bateriju jednom svaka 3 mjeseca kako biste spriječili oštećenje baterije.
- Baterija i punjač baterija trebete čuvati na temperaturi između 5 °C i 40 °C. Veće temperature ili izvori visoke temperature, kao što su vatra, mogu uzrokovati oštećenje baterije.
- Nemojte rastavljati bateriju.
- Bateriju nemojte uranjati u vodu. Bateriju držite u hladnom i čistom okruženju s dobrim protokom zraka.
- Ako baterija smrdi, vruća je ili dolazi do deformacije uslijed temperature u tijeku rada, pohrane ili punjenja, uklonite bateriju i nemojte je upotrebljavati.
- Baterija i punjač baterija moraju biti pričvršćeni tijekom transporta kako bi se izbjeglo oštećenje proizvoda.
- Punjač baterija ne smije se pregrijati.

Odlaganje

- Poštujte lokalne zahtjeve za reciklažu i važeće propise.
- Sve kemikalije, poput motornog ulja ili sredstva protiv smrzavanja, zbrinite u servisnom centru ili na prikladnoj lokaciji za zbrinjavanje.
- Ako proizvod više ne upotrebljavate, pošaljite ga distributeru tvrtke Husqvarna ili ga zbrinite na lokaciji za reciklažu.
- Bateriju zbrinite u servisnom centru ili je predajte prikladnom odlagalištu za korištene baterije.

Tehnički podaci

Tehnički podaci

	LB 144	LB 244E
Motor		
Marka	Husqvarna	Husqvarna
Model	HS 123A	HS 139AE

	LB 144	LB 244E
Vrsta motora	Jednocilindrični, četvero-taktni, prisilno atmosfersko hlađenje, OHV	Jednocilindrični, četvero-taktni, prisilno atmosfersko hlađenje, OHV
Zapremnina, cm ³	123	139
Broj okretaja motora – nazivni, o/min	3000/min	2900/min
Nazivna izlazna snaga motora, kW ⁷³	1,95	2,2
Sustav paljenja		
Svječica	Husqvarna HQT-7	Husqvarna HQT-7
Razmak elektroda, mm	0,7 – 0,8	0,7 – 0,8
Sustav za gorivo i podmazivanje		
Vrsta podmazivanja motora	Raspršivanje	Raspršivanje
Zapremnina spremnika za gorivo, l	0,9	0,9
Zapremnina spremnika ulja, l	0,5	0,5
Motorno ulje ⁷⁴	Husqvarna SAE 30, Husqvarna SAE 5W-30 sintetičko, Husqvarna SAE 10W-40	Husqvarna SAE 30, Husqvarna SAE 5W-30 sintetičko, Husqvarna SAE 10W-40
Težina		
S praznim spremnicima, kg	22	23,5
Emisije buke⁷⁵		
Razina jačine zvuka, mjerena u dB (A)	91	92
Razina jačine zvuka, zajamčena L _{WA} dB (A)	94	94
Jačina zvuka⁷⁶		
Razine tlaka zvuka na uhu rukovatelja, dB (A)	79	80
Razine vibracije⁷⁷		
Vibracije na gornjoj ručki, m/s ²	7,6	6,0
Rezna oprema		
Visina rezanja, mm	25 – 75	25 – 75
Širina rezanja, mm	440	440

⁷³ Navedena nazivna snaga motora prosječna je neto izlazna snaga (pri navedenom broju okretaja u minuti) tipičnog serijskog motora za određeni model mjerena prema normi SAE J1349/ISO1585. Vrijednost se može razlikovati za motore za masovnu proizvodnju. Stvarna izlazna snaga motora ugrađenog u krajnji proizvod ovisi o radnoj brzini, uvjetima u okolišu i drugim vrijednostima.

⁷⁴ Upotrebljavajte motorno ulje kvalitete API SJ ili više. Ako se ulje SAE-30 primjenjuje na temperaturama nižim od 5 °C, postoji opasnost od nedovoljnog podmazivanja motora. To može uzrokovati oštećenje motora. Odgovarajuće ulje za niske temperature potražite u *Zamjena motornog ulja na stranici 169*. Pogledajte tablice viskoznosti u korisničkom priručniku motora (ako je priložen) i odaberite najbolju viskoznost s obzirom na očekivanu vanjsku temperaturu.

⁷⁵ Emisije buke u okoliš izmjerene kao jačina zvuka (L_{WA}) u skladu s Direktivom EZ 2000/14/EC.

⁷⁶ Navedeni podaci za razinu pritiska zvuka uključuju tipično statističko raspršenje (standardno odstupanje) od 1,2 dB (A).

⁷⁷ Podaci o razini vibracije pokazuju tipičnu statističku disperziju (standardnu devijaciju) od 0,2 m/s².

	LB 144	LB 244E
Rezni sustav	Bioclip®	Bioclip®
Nož – standardni	Sječka, 5464584-10	Sječka, 5464584-10
Sustav za pokretanje		
Elektropokretač	Ne	Da
Baterija	–	Litij-ionska, 10,8 V, 21,6 Wh

Izjava o sukladnosti

EU izjava o sukladnosti

Mi, **Husqvarna AB**, SE-561 82 Huskvarna, Švedska, tel.:
+46-36-146500, pod punom odgovornošću izjavljujemo
da proizvod:

Opis	Kosilica
Marka	Husqvarna
Vrsta/model	LB 144, LB 244E
Identifikacija	Serijski brojevi iz 2023 i noviji

i potpunosti su sukladni sljedećim EU direktivama i
propisima:

Propis	Opis
2006/42/EC	„o strojevima“
2014/30/EU	„o elektromagnetskoj kompatibilnosti“
2000/14/EC	„koja se odnosi na emisije buke u okoliš“
2011/65/EU	„o ograničenoj upotrebi određenih opasnih tvari u električnoj i elektroničkoj opremi“

i primjenjuju se sljedeće norme i/ili tehničke
specifikacije: EN ISO 5395-1:2013+A1:2018, EN ISO
5395-2:2013+A1:2016+A2:2017, EN IEC 63000:2018,
EN ISO 14982:2009

Prijavljeno tijelo: 0404, SMP Svensk Maskinprovning
AB, Box 4053, SE-904 03 Umeå, Sweden, certificiralo
je sukladnost s Direktivom Vijeća 2000/14/EC, postupak
kontrola kvalitete: Dodatak VI.

Informacije o emisiji buke potražite u odjeljku *Tehnički
podaci na stranici 173.*

Huskvarna, 2023-09-18



Claes Losdal, razvojni menadžer / proizvođač za vrtove,
Husqvarna AB

Osoba odgovorna za tehničku dokumentaciju



TARTALOMJEGYZÉK

Bevezető.....	177	Motorral kapcsolatos hibaelhárítás.....	187
Biztonság.....	178	Szállítás, tárolás és ártalmatlanítás.....	188
Összeszerelés.....	181	Műszaki adatok.....	189
Üzemeltetés.....	181	Megfelelőségi nyilatkozat.....	191
Karbantartás.....	183		

Bevezető

Termékleírás

A termék egy gyalog kísért forgóképes fűnyíró, mely a(z) BioClip technológia segítségével végzi el a fű trágyázásra való vágását.

A termék áttekintése

(ábra 1)

1. Fékkar
2. Fogantyú
3. Berántókötél fogantyú (LB 144)
4. Vágási magasságot szabályozó kar
5. Olajsapka és nívópálca
6. Kipufogódob
7. Gyújtógyertya
8. Emelőfogantyú
9. Magasságállító kar a fogantyúhoz
10. Üzemanyagtartály sapkája
11. Légszűrő
12. Vágóburkolat
13. Kés
14. Rugóalátét
15. Késtartó csavar
16. Akkumulátor, biztonsági eszköz (LB 244E)
17. Elektromos indítógomb (LB 244E)
18. Kezelői kézikönyv

A terméken található jelzések

(ábra 2) VIGYÁZAT! Körültekintően járjon el, és megfelelően használja a terméket. A gép a kezelő és mások súlyos sérülését és halálát is okozhatja.

(ábra 3) Olvassa el figyelmesen a használati utasítást, és győződjön meg róla, hogy megértette azt, mielőtt a terméket használatba veszi.

(ábra 4) Legyen óvatos a kivetett és visszapattanó tárgyakkal.

Rendeltetésszerű használat

A termék fűnyírásra szolgál. Ne használja a terméket egyéb feladatokra.

(ábra 5) A személyeket és állatokat tartsa biztonságos távolságban a munkaterülettől.

(ábra 6) Vigyázat! Tartsa távol kezét és lábát a forgó késektől.

(ábra 7) Vigyázat! Tartsa távol kezét és lábát a forgó alkatrészekről.

(ábra 8) Javítás vagy karbantartás előtt állítsa le a motort, és vegye le a gyújtáskábelt.

(ábra 9) Ez a termék megfelel a vonatkozó EK irányelveknek.

(ábra 10) Az EU és az Egyesült Királyság irányelveinek és jogszabályainak, és New South Wales „Környezetben történő munkavégzés szabályozása (zajszabályozás), 2017” irányelvének megfelelő környezeti zajkibocsátási címke. A termék garantált hangteljesítményszintjére vonatkozó adatok megtalálhatók a *Műszaki adatok 189. oldalon* című fejezetben és a címkén.

(ábra 11)

A termék megfelel a vonatkozó egyesült királyságbeli irányelveknek.

(ábra 12) Tűzveszély.

(ábra 13) Ne lélegezze be a kipufogógázokat. A motorból származó kipufogógázok szén-monoxidot tartalmaznak, amely szagtalan, mérgező, rendkívül veszélyes

gáz. Ne indítsa be a motort beltérben vagy zárt helyen.

(ábra 14) Forró felület.

(ábra 16) Töltse fel a motort olajjal a termék beindítása előtt.

(ábra 17) Indítási eljárás a(z) LB 144 esetében: Nyomja a fékkart lefelé, majd húzza meg az indítószinór fogantyúját.

(ábra 18) Indítási eljárás a(z) LB 244E esetében: Nyomja le a motorfékkart, és nyomja meg az indítógombot.

(ábra 15) Beolvasható kód.

Megjegyzés: A terméken szereplő többi jelölés/címke a további piacok specifikus vizsgáztatási követelményeire vonatkozik.

A termék károsodása

A termékben keletkezett károkért nem vállalunk felelősséget, amennyiben:

- a termék javítását helytelenül végezték;
- a termék javítása nem a gyártótól származó vagy általa jóváhagyott alkatrészekkel történt;
- a terméket nem a gyártótól származó vagy általa jóváhagyott kiegészítővel szerelték fel;
- a termék javítását nem hivatalos szakszerviz vagy jóváhagyott egyéb szerviz végezte.

Euro V. kibocsátási norma



FIGYELMEZTETÉS: A motor módosítása érvényteleníti a termékre vonatkozó európai uniós típusjóvá hagyást.

Biztonság

Biztonsági meghatározások

A figyelmeztetések, óvintézkedések és megjegyzések a használati utasítás kiemelten fontos részeire hívják fel a figyelmet.



FIGYELMEZTETÉS: Akkor használatos, ha a kézikönyv utasításainak be nem tartása esetén fennáll a kezelő vagy a közelben tartózkodók sérülésének vagy halálának veszélye.



VIGYÁZAT: Akkor használatos, ha a kézikönyv utasításainak be nem tartása esetén fennáll a vagyoni kár, illetve a termék vagy a környező terület károsodásának veszélye.

Megjegyzés: További információt biztosít az adott helyzetben szükséges tennivalókról.

Általános biztonsági utasítások



FIGYELMEZTETÉS: A termék használata előtt olvassa el az alábbi figyelmeztetéseket.

- Ez a termék veszélyes, ha helytelenül használja, vagy ha nem vigyáz. A biztonsági utasítások be nem tartása sérüléssel vagy halállal járhat.

- A termék működés közben elektromágneses mezőt hoz létre. Ez bizonyos körülmények esetén hatással lehet az aktív vagy passzív orvosi implantátumokra. A súlyos vagy halálos sérülés kockázatának csökkentése érdekében azt javasoljuk, hogy az orvosi implantátumot használó személyek a termék alkalmazása előtt kérjék ki orvosuk vagy az orvosi implantátum gyártójának tanácsát.
- Mindig megfontoltan és előrelátóan cselekedjen. Ha nem biztos benne, hogyan kell a terméket speciális helyzetben üzemeltetni, akkor hagyja abba a tevékenységet, és beszéljen a Husqvarna kereskedőjével a folytatás előtt.
- Ne feledje, hogy a kezelő felelős a másokat és a mások tulajdonát érő balesetekért is.
- Tartsa tisztán a terméket. Ügyeljen arra, hogy a jelek és címkék jól olvashatóak legyenek.
- Ne engedje, hogy használják a terméket, amíg nem gondoskodott róla, hogy elolvassák és megértésük a használati utasítás tartalmát.
- A terméket gyermekek nem használhatják.
- Tartsa távol a gyermekeket a munkavégzési területtől. Egy felelős felnőttnek mindig jelen kell lennie.
- Ne használja a terméket olyan személy, aki nem ismeri a kezelési utasítást.
- Csökkent fizikai vagy szellemi képességekkel rendelkező személy csak felügyelet mellett használhatja a terméket. Egy felelős felnőttnek mindig jelen kell lennie.
- Ne használja a terméket, ha fáradt, beteg, illetve alkohol, drog vagy gyógyszer hatása alatt áll. Ez

negatív hatással van a látására, az éberségére, a koordinációjára és az ítélőképességére.

- Ne használja a sérült vagy nem megfelelően működő terméket.
- Ne változtassa meg a terméket, vagy ne használja, ha feltehetőleg valaki más változtatásokat hajtott végre rajta.
- Ne módosítson a motorfordulatszám-szabályozás beállításán.

A munkaterület biztonsága



FIGYELMEZTETÉS: A termék használata előtt olvassa el az alábbi figyelmeztetéseket.

- A termék használata előtt távolítsa el a különböző tárgyakat, például ágakat, gallyakat és köveket a munkaterületről.
- A vágószerkezetnek ütköző tárgyak elrepülve személyek vagy tárgyak sérülését okozhatják. A közelben állókat és az állatokat tartsa biztonságos távolságban a terméktől.
- Ne használja a terméket rossz időben, például ködben, esőben, erős szélben, nagy hidegben, villámás veszélyes esetén. A termék rossz időjárási körülmények között vagy nyirkos, nedves helyeken történő használata fásasztó. A rossz időjárás veszélyes körülményeket, például csúszós felületeket okozhat.
- Ügyeljen az olyan személyekre, tárgyakra és helyzetekre, amelyek akadályozzák a termék biztonságos üzemeltetését.
- Ügyeljen az olyan akadályokra, mint a gyökerek, kövek, gallyak, gödrök és árkok. A magas fű akadályokat rejthet.
- A lejtőkön levő fű nyírása veszélyes lehet. Ne használja a terméket 15 foknál meredekebb lejtőn.
- Az emelkedőknél/lejtőkön mindig oldalirányban működtesse a terméket. Ne haladjon felfelé vagy lefelé.
- Legyen körültekintő, ha olyan sarkok és tárgyak közelébe ér, amelyek gátolják a tiszta kilátást.

Munkabiztonság



FIGYELMEZTETÉS: A termék használata előtt olvassa el az alábbi figyelmeztetéseket.

- Ezt a terméket kizárólag füves pázsitok nyírására használja. A termék más feladatokra történő használata nem megengedett.
- Használjon személyi védőfelszerelést. Lásd: *Személyi védőfelszerelés 179. oldalon.*
- Mindenképpen legyen tisztában azzal, hogy vészhelyzet esetén hogyan kell gyorsan leállítani a motort.

- Soha ne indítsa el a motort zárt térben vagy gyúlékony anyag közelében. A motorból kijutó kipufogó füstök forrók és szikrákat tartalmazhatnak, amelyek tüzet okozhatnak.
- Ne használja a készüléket, hacsak a kés és az összes borítás nincs megfelelően rögzítve. A nem megfelelően rögzített kés kilazulhat, és személyi sérülést okozhat.
- Ügyeljen arra, hogy a kés ne ütközzön olyan tárgyakba, mint például kövek és gyökerek. Ez kárt tehet a késben, és meghajlíthatja a motor tengelyét. A meghajlott tengely erős rezgést okoz, és így nagyon nagy a kockázata annak, hogy a kés meglazul.
- Ha a kés valamilyen tárgynak ütközik vagy rezegni kezd, azonnal állítsa le a terméket. Húzza ki a gyújtáskábelt a gyújtógyertyából. Ellenőrizze, hogy a termék sérülésmentes-e. Javítsa meg a sérüléseket, vagy végeztesse el a szakszervizzel a javításokat.
- Amikor a motor működésben van, soha ne rögzítse tartósan a fékkart a fogantyúhoz.
- Helyezze a terméket stabil, vízszintes felületre, és kapcsolja be. Gondoskodjon arról, hogy a kés ne ütközzön se a talajba, se egyéb tárgyakra.
- Mindig maradjon a termék mögött, amikor működteti.
- A termék üzemeltetése során minden kerék legyen a talajon, és tartsa két kézzel a fogantyút. Tartsa távol kezét és lábát a forgó késektől.
- Ne döntse meg a terméket, ha a motor jár.
- Legyen óvatos, amikor hátrafelé húzza a terméket.
- Soha ne emelje fel a terméket, ha a motor jár. Ha fel kell emelnie a terméket, előbb kapcsolja ki a motort, és válassza le a gyújtásvezetékét a gyújtógyertyáról.
- Ne sétáljon hátrafelé a termék működtetése során.
- Állítsa le a motort, ha olyan területeken halad át, ahol nincs fű, például kavicsos, kövezett és aszfaltozott járdák.
- Ne fusson a termékkel, ha a motor jár. Mindig sétáljon a termék működtetése során.
- Mielőtt megváltoztatná a vágási magasságot, állítsa le a motort. Soha ne végezzen beállításokat, amikor a motor jár.
- Soha ne hagyja a terméket felügyelet nélkül járó motor esetén. Állítsa le a motort és győződjön meg arról, hogy a vágószerkezet nem forog.

Biztonsági utasítások az üzemeltetéshez

Személyi védőfelszerelés



FIGYELMEZTETÉS: A termék használata előtt olvassa el az alábbi figyelmeztetéseket.

- A személyi védőfelszerelés nem küszöböli ki teljes mértékben a sérülés kockázatát, de csökkenti a sérülés mértékét, ha bekövetkezik a baleset.

A megfelelő felszerelés kiválasztásában kérje a kereskedő segítségét.

- 85 dB-nél magasabb zajszint esetén használjon hallásvédőt.
- Használjon nagy teherbírású, csúszásmentes bakancsot vagy cipőt. Ne használja nyitott cipőben vagy mezítláb a terméket.
- Viseljen vastag, hosszú szárú nadrágot.
- Viseljen védőkesztyűt, például a vágóeszköz felhelyezésekor, ellenőrzésekor vagy tisztításakor.

Biztonsági eszközök a terméken



FIGYELMEZTETÉS: A termék használata előtt olvassa el az alábbi figyelmeztetéseket.

- Ne használja a terméket sérült vagy nem megfelelően működő biztonsági eszközökkel.
- Rendszeresen ellenőrizze a biztonsági eszközök sérültek vagy nem működnek megfelelően, forduljon a márkaszervizhez: Husqvarna.
- Ne módosítsd a biztonsági eszközöket.

A vágóburkolat ellenőrzése

A vágóburkolat csökkenti a termék rezgését és a kés okozta sérülések kockázatát.

- Vizsgálja meg a vágóburkolatot, hogy nincs rajta sérülés, például repedés.

Akkumulátor (LB 244E)



FIGYELMEZTETÉS: A sérült akkumulátorral rendelkező fűnyíró kevésbé biztonságos. Csak a gyártó által jóváhagyott akkumulátort használjon.

Az elektromos indítást az akkumulátor teszi lehetővé, mely egyúttal egy biztonsági berendezés, ami megakadályozza a fűnyíró véletlen elindítását. Ha karbantartási munkát végez, vagy felügyelet nélkül hagyja a gépet, távolítsa el az akkumulátort.

A fékkar ellenőrzése

A fékkar a motor leállítására szolgál. Ha elengedi a fékkart, a motor leáll.

- Indítsa be a motort, majd engedje el a fékkart. Ha a motor 3 másodpercen belül nem áll le, állítsassa be egy hivatalos Husqvarna szakszervizben a motorféket. (ábra 19)

Kipufogódob

A kipufogódob minimálisra csökkenti a zajszintet, és elvezeti a kipufogógázokat a kezelő közeléből.

Hiányzó vagy hibás hangfogó esetén ne használja a terméket. A hibás kipufogódob növeli a zajszintet és a tűzveszélyt.



FIGYELMEZTETÉS:

A kipufogódob erősen felhevül használat közben és után, illetve, amikor a motor alapljáraton működik. Legyen óvatos gyúlékony anyagok és/vagy gőzök közelében a tűzveszély elkerülése érdekében.

A hangfogó ellenőrzése

- Rendszeresen ellenőrizze a kipufogódob megfelelő rögzítését és épségét.

Üzemanyaggal kapcsolatos biztonság



FIGYELMEZTETÉS: A termék használata előtt olvassa el az alábbi figyelmeztetéseket.

- Ne indítsa be a terméket, ha üzemanyag vagy motorolaj került rá. Távolítsa el a nem kívánt üzemanyagot/motorolajat és hagyja megszáradni a terméket.
- Ha a kiömlött üzemanyag a ruhájára csöppent, öltözzön át azonnal.
- Ügyeljen arra, hogy ne kerüljön üzemanyag a testére, mert az sérülést okozhat. Ha üzemanyag került a testére, távolítsa el szappannal és vízzel.
- Ne indítsa be a motort, ha szivárog a motor. Vizsgálja meg rendszeresen a motort szivárgás szempontjából.
- Bánjon óvatosan az üzemanyaggal. Az üzemanyag gyúlékony, a gőzei robbanásveszélyesek, ezért súlyos, akár végzetes sérülést is okozhat.
- Ne lélegezze be az üzemanyag gőzeit, egészségkárosodást okozhatnak. Gondoskodjon megfelelő légáramlásról.
- Ne dohányozzon az üzemanyag és a motor közelében.
- Az üzemanyag vagy a motor közelébe ne tegyen forró tárgyakat.
- Ne tankoljon járó motornál.
- Várja meg a tankolással, amíg lehűl a motor.
- Tankolás előtt nyissa meg lassan a tanksapkát, engedje ki óvatosan a nyomást.
- Ne beltérben tankoljon. A nem elegendő mértékű légáramlás fulladás vagy szén-monoxid miatt egészségkárosodást, akár halált is okozhat.
- Húzza meg teljesen az üzemanyagtartály sapkáját. Ha az üzemanyagtartály sapkája nincs meghúzva, tűzveszélyt okozhat.
- Beindítás előtt vigye a terméket legalább 3 m távolságra a tankolás helyétől.

- Ne töltse teljesen tele az üzemanyagtartályt. Hő hatására az üzemanyag tágul. Hagyjon egy kis helyet az üzemanyagtartály tetejénél.
- Soha ne tárolja a terméket épületen belül feltöltött üzemanyagtartállyal olyan esetben, ha gyújtóforrás, például bojler, fűtőegységek vagy ruhaszáritók vannak közelében. Körülzárt helyen történő tárolás előtt hagyja a motort lehűlni.
- A termék karbantartása előtt állítsa le a motort, és húzza ki a gyújtáskábelt a gyújtógyertyából. A(z) LB 244E modell esetében szintén távolítsa el az akkumulátort.
- A vágószerkezet karbantartásakor használjon védőkesztyűt. A kés nagyon éles, könnyen megvághatja magát.
- A gyártó által nem jóváhagyott tartozékok és változtatások súlyos sérülést vagy halált okozhatnak. Ne végezzen módosításokat a terméken. Csak a gyártó által jóváhagyott tartozékokat használjon.
- Ha a karbantartást nem megfelelően és rendszeresen végezték el, nő a termék sérülésének és károsodásának kockázata.
- Csak a felhasználói kézikönyvben megadott karbantartást végezze el. Minden egyéb szervizelés csak hivatalos Husqvarna szervizműhely végezhet.
- Végeztesse a termék rendszeres szervizelését hivatalos Husqvarna szervizműhellyel.
- A sérült, kopott vagy törött alkatrészt cserélje ki.

Biztonsági utasítások a karbantartáshoz



FIGYELMEZTETÉS: A termék használata előtt olvassa el az alábbi figyelmeztetéseket.

- A motorból származó kipufogógázok szén-monoxidot tartalmaznak, amely szagtalan, mérgező, rendkívül veszélyes gáz. Ne indítsa be a motort beltérben vagy zárt helyen.

Összeszerelés

Bevezető



FIGYELMEZTETÉS: A termék összeszerelése előtt el kell olvasnia és meg kell értenie a biztonságról szóló fejezetet.



FIGYELMEZTETÉS: A termék összeszerelése előtt távolítsa el a gyújtógyertya kábelét a gyújtógyertyából.

2. Húzza meg a fogantyúgombokat. (ábra 21)

A fogantyúmagasság beállítása

1. Győződjön meg róla, hogy a magasságállító kar a horonyban van. Ha a magasságállító kar nincs a horonyba helyezve, nyomja lefelé a magasságállító kart a lábával. (ábra 22)
2. Nyomja be a magasságállító kart a lábával.
3. Állítsa a fogantyút a megfelelő helyzetbe, majd engedje el a fogantyút. (ábra 23)

A fogantyú összeszerelése

1. Húzza hátra a kart, amíg végállásba nem kerül. (ábra 20)

Üzemeltetés

Bevezető



FIGYELMEZTETÉS: A termék működtetése előtt el kell olvasnia és meg kell értenie a biztonságról szóló fejezetet.

Husqvarna Connect

A Husqvarna Connect egy ingyenes mobilalkalmazás. A Husqvarna Connect alkalmazás kibővített funkciókat biztosít Husqvarna termékéhez:

- Bővebb termékinformációk.
- Információk és segítség a termékalkatrészekkel és a szervizeléssel kapcsolatban.

A Husqvarna Connect használatának megkezdése

1. Töltse le a Husqvarna Connect alkalmazást mobil eszközére.
2. Regisztráljon egy fiókot a Husqvarna Connect alkalmazásban.
3. A termék csatlakoztatásához és regisztrálásához kövesse a Husqvarna Connect alkalmazásban megjelenő utasításokat.

A termék működtetése előtt

1. Olvassa el figyelmesen a használati utasítást, és győződjön meg arról, hogy megértette a benne foglaltakat.

- Vizsgálja meg a vágószerkezetet, hogy megbizonyosodjon róla, hogy megfelelően van rögzítve és beállítva. Lásd: *A vágószerkezet ellenőrzése 184. oldalon.*
- Ellenőrizze az olajsíntet, és szükség esetén töltsön be motorolajat. Lásd: *Az olajsínt ellenőrzése 185. oldalon.*
- Töltse fel az üzemanyagtartályt. Lásd: *Tankolás 182. oldalon.*

Tankolás

Ha rendelkezésre áll, használjon környezetbarát besorolású/alkilat benzint. Ha környezetbarát besorolású/alkilat benzin nem áll rendelkezésre, használjon jó minőségű, legalább 91es oktánszámú ólommentes vagy ólomtartalmú benzint.



VIGYÁZAT: Ne használjon 91 oktánszámúnál gyengébb benzint. Ezzel kárt tehet a termékben.



VIGYÁZAT: Évente vagy szükség esetén ennél gyakrabban cserélje ki az üzemanyagszűrőt. Új üzemanyagszűrőt Husqvarna márkakereskedőjénél szerezhet be.



VIGYÁZAT: Az üzemanyag betöltésekor mindig állítsa le a motort.



VIGYÁZAT: Ne használjon nyomás alatt álló indítófolyadékot.

- Lassan nyissa ki az üzemanyagtartály sapkáját, hogy kiengedje a nyomást.
- Töltsön fel lassan a tartályt az üzemanyagkannával. Ha kiömlött az üzemanyag, törölje le egy kendővel, és hagyja, hogy a megmaradt üzemanyag felszáradjon. (ábra 24)
- Tartsa tisztán az üzemanyagtartály sapkájának környékét.
- Húzza meg teljesen az üzemanyagtartály sapkáját. Ha az üzemanyagtartály sapkája nincs meghúzva, tűzveszélyt okozhat.
- Beindítás előtt vigye a terméket legalább 3 m távolságra a tankolás helyétől.

A termék működési pozícióba állítása

- Szerelje össze a fogantyút. Lásd: *A fogantyú összeszerelése 181. oldalon.*
- Állítsa be a fogantyúmagasságot. Lásd: *A fogantyúmagasság beállítása 181. oldalon.*



VIGYÁZAT: Ügyeljen arra, hogy a kábelek ne legyenek túl feszesek. Ha a kábelek túlságosan feszesek, a fogantyú szállítási helyzetbe történő összehajtásakor megsérülhetnek.



FIGYELMEZTETÉS: Csak akkor működtesse a terméket, ha a fogantyú teljesen fel van hajtva, és a megfelelő magassági helyzetek egyikébe be van állítva. Lásd: *A fogantyúmagasság beállítása 181. oldalon.*

A vágási magasság beállítása

A vágási magasság 6 különböző fokozatra állítható.

- Állítsa le a motort.
- Mozgassa a vágási magasságot szabályozó kart hátrafelé a vágási magasság növeléséhez. (ábra 25)
- Mozgassa a vágási magasságot szabályozó kart előre felé a vágási magasság csökkentéséhez.



VIGYÁZAT: Ne állítsa túl alacsonyra a vágási magasságot. A kések a talajba ütközhetnek, ha a pázsit felülete nem egyenes.

A termék elindítása

- Győződjön meg róla, hogy a gyújtáskábel csatlakozik a gyújtógyertyához.

Manuális indítás (LB 144)

- Maradjon a termék mögött.
- Húzza a fékkart a felső fogantyúhoz. (ábra 26)
- Fogja meg a berántókötél fogantyúját jobb kézzel.
- Lassan húzza ki a berántókötélet, amíg ellenállást nem érez.
- Erőteljes mozdulattal rántsa be a motort.



FIGYELMEZTETÉS: Ne tekerje a berántókötélet a keze köré.

Elektromos indítás (LB 244E)

- Ellenőrizze, hogy az akkumulátor fel van töltve. Lásd: *Az akkumulátor karbantartása (LB 244E) 186. oldalon.*
- Csatlakoztassa az akkumulátort a motorhoz. Az akkumulátor egy kattánás kíséretében a helyére kattán. (ábra 27)
- Maradjon a termék mögött, és tartsa a motorfékkart (A) a felső fogantyúhoz. (ábra 28)
- Tartsa lenyomva 3-5 másodpercig az elektromos indítógombot (B). A motor beindul.

Megjegyzés: Ha a motor nem indul be, várjon 1 percet, és próbálja meg ismét elindítani a terméket.

A termék leállítása

- A motor leállításához engedje el a fékkart.

Az akkumulátor eltávolítása (LB 244E)

A motor véletlen beindításának elkerülése érdekében távolítsa el az akkumulátort, amikor nem használja a fűnyírót.

- Nyomja meg a rögzítógombot (A), és húzza ki egyenesen az akkumulátort. (ábra 29)

Megfelelő eredmény elérése

- Használjon mindig éles kést. A tompa kés egyenletlen eredményt ad, és a fű vágási felülete megsárgul. Az éles kés egyben kevesebb energiát igényel, mint a tompa kés.

- Ne nyírjon le többet a fű hosszának 1/3-ánál. Először nagy vágási magasságot állítson be, és úgy nyírjon. Vizsgálja meg az eredményt, és csökkentse a vágási magasságot egy megfelelő szintre. Ha nagyon magas a fű, lassan és szükség esetén 2-szer nyírjon.
- Minden alkalommal más irányban haladjon, hogy ne alakuljanak ki sávok a pázsiton.
- Tartsa tisztán a vágóburkolatot. A vágóburkolat belső oldalán lerakódott fű és szennyeződés ronthatja a vágási eredményt. Lásd: *A vágóburkolat belső felületének tisztítása 184. oldalon.*

Karbantartás

Bevezetés



FIGYELMEZTETÉS: Karbantartás előtt el kell olvasnia és meg kell értenie a biztonságról szóló fejezetet.

A gépen végzett minden szerviz- és javítási munkát szakképzettséget igényel. Garantáljuk a professzionális javítások és szervizelés lehetőségét. Ha márkakereskedője nem szervizműhely, forduljon hozzájuk a legközelebbi szervizműhellyel kapcsolatban.

Részletesebb információért lásd: www.husqvarna.com.

Karbantartási terv



VIGYÁZAT: A termék megdöntésekor ügyeljen arra, hogy a levegőszűrő a termék

felfelé néző oldalán, ne pedig a föld felé néző oldalán legyen. Fennáll a motor károsodásának veszélye.



VIGYÁZAT: Az elektromos indítással rendelkező típusok esetében a modell karbantartása, javítása vagy tisztítása előtt mindig távolítsa el az akkumulátort.

A karbantartási intervallumok meghatározásakor a termék napi használatát feltételeztük. Az intervallum változik, ha a terméket nem napi rendszerességgel használja.

A * szimbólummal jelölt karbantartási műveletekhez lásd: *Biztonsági eszközök a terméken 180. oldalon.*

Karbantartás	Naponta	Havi	Évszakonként
Végezzen általános ellenőrzést	X		
Ellenőrizze az olajszintet	X		
Cserélje ki az olajat (először 5 óra használat után, majd minden 50 óra használat után) ⁷⁸			X
Tisztítsa meg a terméket	X		
Tisztítsa meg a fogantyúmagasság-állító kar körüli területet	X		

⁷⁸ Ha a terméket komoly terhelés vagy magas környezeti hőmérséklet mellett működtetik, cserélje ki a motorolajat 25 óránként.

Karbantartás	Naponta	Havi	Évszakonként
Ellenőrizze a vágószerkezetet	X		
Ellenőrizze a vágóburkolatot *	X		
Ellenőrizze a fékkart *	X		
Ellenőrizze a hangfogót *		X	
Ellenőrizze a gyújtógyertyát. Szükség esetén tisztítsa meg vagy cserélje ki a gyújtógyertyát			X
Ellenőrizze a levegőszűrőt	X		
Tisztítsa ki a légszűrőt ⁷⁹		X	
Cserélje ki a levegőszűrőt			X
Ellenőrizze az üzemyagrendszert			X
Tisztítsa meg a hengeren lévő hűtőbordákat		X	

Általános ellenőrzés

- Ellenőrizze, hogy az anyák és csavarok megfelelően meg vannak-e szorítva a terméken.

A termék külső tisztítása

- Kefével távolítsa el a leveleket, a fűvet és az egyéb szennyeződések.
- Győződjön meg róla, hogy a motor tetején lévő levegőbeömlő nyílás nincs eltömődve.
- Ne használjon nagynyomású mosót a termék tisztításához.
- Ha vízzel tisztítja a terméket, ne irányítsa a vízsugarat közvetlenül a motorra.

A fogantyúmagasság-állító kar körüli terület megtisztításához

- Kefével távolítsa el a leveleket, a fűvet és az egyéb szennyeződések. (ábra 30)

A vágóburkolat belső felületének tisztítása

- Üritse ki a benzintartályt.
- Döntse meg a terméket. Ellenőrizze, hogy a gyújtógyertya felfelé néz-e.



VIGYÁZAT: Ha a terméket a légszűrővel lefelé fordítva állítja, a motor károsodhat.

- Mossa le vízzel a vágóburkolat belső felületét.

A vágószerkezet ellenőrzése



FIGYELMEZTETÉS: A termék véletlen elindítását elkerülendő, húzza ki a gyújtáskábel a gyújtógyertyából.



FIGYELMEZTETÉS: A vágószerkezet karbantartásakor használjon védőkesztyűt. A kés nagyon éles, könnyen megvághatja magát.

- Ellenőrizze a vágószerkezetet sérülés, repedés szempontjából. Mindig cserélje ki a sérült vágószerkezetet.
- Nézze meg a kést, hogy sérült-e vagy tompa-e.

Megjegyzés: A kés élezését követően ki kell egyensúlyozni. Végeztesse a kés élezését, cseréjét és kiegyensúlyozását szervizközponttal. Ha olyan akadályba ütközött, amely megállította a terméket, cserélje ki a sérült kést. Vizsgálta meg a szervizközpontban, hogy élezhető-e a kés, vagy pedig cserét igényel-e.

A kés cseréje

- Rögzítse a kést egy fadarabbal. (ábra 31)
- Távolítsa el a késtartó csavart és a rugós alátétet.
- Vegye le a kést.
- Ellenőrizze a késtámszt és a késtartó csavart, hogy sérült-e.
- Ellenőrizze a motor tengelyét, hogy nincs-e meghajolva.

⁷⁹ Végezze el gyakrabban a tisztítást poros környezet vagy a levegőben szálló törmelék jelenléte esetén. Ha a légszűrő erősen szennyezett, akkor cserélje ki.

- Az új kés rögzítésekor a kés ferde vége a vágóburkolat felé nézzen. (ábra 32)
- Győződjön meg róla, hogy a kés igazodik a motortengely középpontjához.
- Rögzítse a kést egy fadarabbal. Helyezze fel a rugós alátétet, és húzza meg a csavart 44-46 Nm nyomatékkal. (ábra 33)
- Forgassa meg a kést kézzel, és figyelje, hogy szabadon forog-e.
- Húzza ki a gyújtáskábelt a gyújtógyertyából.
- Vegye le az olajtartály sapkáját és hozzárögzített nivópalcát.
- Tegyen egy tartályt a termék alá, hogy a motorolajat összegyűjtse.
- Döntse meg a terméket, vagy engedje le a motorolajat az olajtartályból egy olajszivattyú (tartozék) segítségével.
- Töltse fel az olajtartályt a(z) *Műszaki adatok 189. oldal*on részben ajánlott típusú, új motorolajjal.
- Ellenőrizze az olajsztintet. Lásd: *Az olajsztint ellenőrzése 185. oldal*on.
- Helyezze fel az olajtartály sapkáját, ha az olajsztint megfelelő.



FIGYELMEZTETÉS:

Használjon strapabíró kesztyűt. A kés nagyon éles, könnyen megvághatja magát.

- Indítsa be a terméket, hogy tesztelje a kést. Ha a kés nincs megfelelően rögzítve, a termékben rezgés tapasztalható, vagy a vágási eredmény nem kielégítő.

Az olajsztint ellenőrzése



VIGYÁZAT: Ha az olajsztint túlságosan alacsony, kár keletkezhet a motorban. Ellenőrizze az olajsztintet, mielőtt elindítja a terméket.

- Helyezze a terméket vízszintes talajra.
- Vegye le az olajtartály sapkáját és hozzárögzített nivópalcát.
- Törölje le a nivópalcáról az olajat.
- Nyomja be teljesen a nivópalcát az olajtartályba.
 - Ne helyezze fel az olajtartály sapkáját LB 144.
 - Helyezze fel az olajtartály sapkáját LB 244E.
- Távolítsa el az olajtartály sapkáját és a nivópalcát.
- Vizsgálja meg az olajsztintet a mellékelt nivópalcán.
- Ha az olajsztint alacsony, töltsen fel a tartályt motorolajjal, és ellenőrizze újra az olajsztintet. (ábra 34)

Megjegyzés: Használjon egy tölcsezt az olaj melléomlásának megelőzéséhez.

- Helyezze fel az olajtartály sapkáját, ha az olajsztint megfelelő.

A motorolaj cseréje –



FIGYELMEZTETÉS: A motorolaj rendkívül forró közvetlenül a motor leállítása után. Várja meg, amíg lehűl a motor, mielőtt leereszti a motorolajat. Ha motorolaj kerül a bőrére, vízzel és szappannal mossa le.

(ábra 35)

- Használja a terméket addig, amíg kiürül az üzemanyagtartály.

Levegőszűrő

A szennyezett levegőszűrő a motor sérülését vagy nem megfelelő működését okozhatja. Poros körülmények esetén gyakrabban végezze el a légszűrő karbantartását. Lásd: *Karbantartási terv 183. oldal*on a levegőszűrő cseréjének szükségességével kapcsolatos információkat.

Megjegyzés: Mindig cserélje ki a sérült levegőszűrőt.

A levegőszűrő eltávolítása és felszerelése (LB 244E)



FIGYELMEZTETÉS: Használjon védőkesztyűt.

- Nyomja be a légszűrő fedelén található füleket.
- Óvatosan távolítsa el a légszűrő fedelét (A) a motorról.
- Távolítsa el a légszűrőt (B). (ábra 36)
- Ellenőrizze, hogy nem károsodott-e a légszűrő. Cserélje ki a sérült levegőszűrőt.
- Tisztítsa meg és ellenőrizze a levegőszűrőt. Lásd: *A levegőszűrő megtisztítása (LB 244E) 185. oldal*on.
- A beszerelést fordított sorrendben végezze el.

A levegőszűrő megtisztítása (LB 244E)

A szennyezett levegőszűrő a motor sérülését vagy nem megfelelő működését okozhatja. Poros körülmények esetén gyakrabban végezze el a légtisztító karbantartását.

Lásd: *Karbantartási terv 183. oldal*on a levegőszűrő cseréjének szükségességével kapcsolatos információkat.

- Távolítsa el a levegőszűrő fedelét és a szűrőt.

- Tisztítsa ki a szűrőt, sima felülethez ütögetve. A levegőszűrő tisztításához ne használjon petróleumot vagy kerozint tartalmazó oldószert, illetve sűrített levegőt.

Megjegyzés: A hosszú ideje használt levegőszűrőket nem lehet teljes mértékben megtisztítani. A légszűrőt rendszeres időközönként cserélje ki. A sérült levegőszűrőt mindig ki kell cserélni.

- A levegőszűrő összeszerelésekor ügyeljen arra, hogy a szűrő szorosan illeszkedjen a szűrőtartóba.

A műanyaghab szűrő tisztítása (LB 144)



VIGYÁZAT: Ne indítsa be a motort, ha a levegőszűrő nincs felszerelve. A piszkos levegő jobban rongálja a motort.

- Vegye le a levegőszűrő fedelét (A). (ábra 37)
- Távolítsa el a műanyaghab szűrőket (B).



VIGYÁZAT: Nézze meg, hogy a műanyaghab szűrőkön nincs-e sérülés vagy kopás. Cserélje ki az összes sérült műanyaghab szűrőt.

- Tisztítsa meg a műanyaghab szűrőket szappannal és vízzel.
- Öblítse le tiszta vízzel a műanyaghab szűrőket.
- Nyomja ki a vizet a műanyaghab szűrőkből, és hagyja megszáradni.



VIGYÁZAT: Ne használjon sűrített levegőt. Az károsíthatja a műanyaghab szűrőt.

- Kenje be a műanyaghab szűrőket motorolajjal.
- Nyomjon tiszta kendőt a műanyaghab szűrőhöz a felesleges olaj eltávolításához.
- Szerelje fel a műanyaghab szűrőket. Győződjön meg arról, hogy a műanyaghab szűrők szorosan illeszkednek a levegőszűrő-tartóba.
- Helyezze fel a levegőszűrő fedelét.

Az akkumulátor karbantartása (LB 244E)

Az akkumulátor nem igényel karbantartást. Az akkumulátor szervizelését kizárólag hivatalos szervizközpontban végeztesse el, ha szükséges.

Az akkumulátor első használata (LB 244E)



VIGYÁZAT: Ne hagyja, hogy az akkumulátor lemerüljön. Ha az akkumulátor lemerül, az az akkumulátor károsodását okozhatja.

Az első használat előtt fel kell tölteni az akkumulátort.

- Csatlakoztassa az akkumulátortöltőt az akkumulátorhoz, lásd *Az akkumulátor töltése (LB 244E)186. oldalon.*
- Várjon, amíg legalább 1 zöld LED világitani nem kezd.
- Csatlakoztassa az akkumulátort a motorhoz, lásd *Elektromos indítás (LB 244E)182. oldalon.*

Az akkumulátor töltése (LB 244E)

Ha csak 1 vagy 0 jelzőlámpa világit az akkumulátoron, fel kell tölteni az akkumulátort. Egy lemerült akkumulátor 2 óra alatt teljesen feltöltődik. A rövidebb ideig tartó töltés nem okoz kárt az akkumulátorban.

- Csatlakoztassa az akkumulátortöltőt az akkumulátorhoz. (ábra 38)
- Csatlakoztassa az akkumulátortöltőt a hálózati aljzathoz: 100-240 V, 50-60 Hz.
- Először húzza ki a töltőt a hálózati aljzathoz, majd távolítsa el a töltőt az akkumulátorból.

Az akkumulátortöltöttség állapota

LED kijelző az akkumulátoron	Állapot
Az 1. LED pirosan villog.	1%-9%
Az 1. LED folyamatos piros fényvel világit.	10%-32%
Az 1. LED zöld, a 2. LED pedig piros.	33%-54%
Az 1. és 2. LED zöld, a 3. LED pedig piros.	55%-77%
Az 1., 2. és 3. LED zöld, a 4. LED pedig piros.	78%-100%

Jelzőlámpa az akkumulátortöltőn	Állapot
Folyamatos piros fény	Az akkumulátor töltődik.
Folyamatos zöld fény	Az akkumulátor teljesen fel van töltve.

A gyújtógyertya ellenőrzése



VIGYÁZAT: Használja mindig az előírt típusú gyújtógyertyát. A nem megfelelő gyújtógyertya károsíthatja a terméket.

- Ellenőrizze a gyújtógyertyát, ha gyenge a motor teljesítménye, nehezen indul, vagy egyenetlen az alapjárata.
- A gyújtógyertya elektródái közötti lerakódások kialakulásának csökkentése érdekében tartsa be az alábbi utasításokat:

- a) gondoskodjon az alapjárat fordulatszám megfelelő beállításáról;
 - b) Gondoskodjon a megfelelő üzemanyag-keverékről.
 - c) Gondoskodjon a levegőszűrő tisztaságáról.
- Ha a gyújtógyertya piszkos, tisztítsa meg, és ellenőrizze, hogy a szikraköz megfelelő-e, lásd: *Műszaki adatok 189. oldal.* (ábra 39)
 - Szükség esetén cserélje ki a gyújtógyertyát.

Az üzemanyagrendszer ellenőrzése

- Vizsgálja meg az üzemanyagtartály sapkáját és a sapka tömítését, hogy ellenőrizze, nincs-e megsérülve.
- Vizsgálja meg az üzemanyag-vezetékét, hogy ellenőrizze, nincs-e szivárgás. Ha az üzemanyag-vezeték sérült, cseréltesse ki egy szervizműhellyel.

Az üzemanyagtartály leeresztése

1. Helyezzen egy tartályt az üzemanyagtartály alá.
2. Vegye le az üzemanyagtartály sapkáját.
3. Nyomja az üzemanyagtömlőn lévő tömlőbilincset a karburátor felé.
4. Távolítsa el az üzemanyagtömlőt a karburátorról.
5. Helyezze az üzemanyagtartály tömlőjét a tartályba, és távolítsa el a tömlőbilincset.

6. Döntse meg a terméket, hogy az üzemanyag a tartályba ürüljön.

Az üzemanyagszűrő cseréje



FIGYELMEZTETÉS: Használjon védőkesztyűt.

1. Eressze le az üzemanyagtartályt.
2. Távolítsa el a tömlőbilincset az üzemanyagtartálytól. (ábra 40)
3. Vegye ki az üzemanyagtömlőt az üzemanyagtartályból. Egy kis üzemanyag kiszivároghat. (ábra 41)
4. Vegye ki az üzemanyagszűrőt az üzemanyagtartályból. (ábra 42)
5. Helyezzen be egy új üzemanyagszűrőt az üzemanyagtartályba.
6. Csatlakoztassa az üzemanyagtömlőt az üzemanyagtartályhoz.
7. Helyezze a tömlőbilincset helyére, az üzemanyagtartályhoz.

Motorral kapcsolatos hibaelhárítás

Probléma	Lehetséges ok	Megoldás
A motor nem indul.	A gyújtáskábel nincs megfelelően csatlakoztatva.	Csatlakoztassa a gyújtáskábelt a gyújtógyertyához.
	Kiürült az üzemanyagtartály.	Töltse fel az üzemanyagtartályt a megfelelő típusú üzemanyaggal.
	Az olaj régi.	Újítsa le az üzemanyagtartályt és a karburátort. Töltse fel friss benzinnel.
	Szennyeződés került a karburátorba vagy az üzemanyag-vezetékbe.	Tisztítsa meg a karburátort és/vagy az üzemanyag-vezetékét.
	A gyújtógyertya sérült.	Állítsa be a szikraközt, tisztítsa meg vagy cserélje ki a gyújtógyertyát.
	Üzemanyag került a gyújtógyertyára.	Tisztítsa meg a gyújtógyertyát.
A motor nem áll le.	A leállító mechanizmus nem működik megfelelően.	Húzza ki a gyújtáskábelt a gyújtógyertyából. Bízva hivatalos szervizműhellyre a termék javítását.

Probléma	Lehetséges ok	Megoldás
A motor nem egyenletesen jár.	A gyújtáskábel nincs megfelelően csatlakoztatva.	Csatlakoztassa a gyújtáskábelt a gyújtógyertyához.
	Szennyeződés van az üzemanyag-vezetékben, vagy az üzemanyag lejárt.	Tisztítsa meg az üzemanyag-vezetékét. Töltse fel az üzemanyagtartályt a megfelelő típusú új üzemanyaggal.
	Eltömődés van az üzemanyagtartály sapkájában.	Tisztítsa meg az üzemanyagtartály sapkáját.
	Víz vagy szennyeződés van az üzemanyagrendszerben.	Eressze le az üzemanyagtartályt. Töltse fel az üzemanyagtartályt a megfelelő típusú új üzemanyaggal.
	Piszkos a légszűrő.	Tisztítsa meg a légszűrőt.
	Be kell állítani a karburátort.	A karburátor beállítását végeztesse el a hivatalos szakszervizben.
A motor túl forró.	Túl alacsony a motorolajszint.	Töltse fel a motort olajjal.
	A levegőáramlás nem elegendő.	Tisztítsa meg a levegőszűrőt és a levegőszűrő házát.
	Be kell állítani a karburátort.	A karburátor beállítását végeztesse el a hivatalos szakszervizben.
Időnként kihagy a gyújtás, amikor a motor nagy sebességgel üzemel.	A gyújtógyertya szikraköze túl kicsi.	Állítsa be a szikraközt.
A motor szokatlan hangokat bocsát ki normál terhelés mellett.	A benzin típusa nem megfelelő.	Ürítse le az üzemanyagtartályt és a karburátort. Töltse fel friss benzinnel. Lásd: <i>Az üzemanyagrendszer ellenőrzése 187. oldalon</i> . Ha a probléma továbbra is fennáll, lépjen kapcsolatba a helyi szervizzel.
Alapjáraton nem egyenletes a motor járása.	A gyújtógyertya piszkos, sérült vagy túl nagy a szikraköz.	Állítsa be a szikraközt, vagy cserélje ki a gyújtógyertyát.
	Be kell állítani a karburátort.	Állítsa be a karburátort.
	Piszkos a légszűrő.	Tisztítsa meg a légszűrőt.

Szállítás, tárolás és ártalmatlanítás

Szállítás és raktározás

- A termék és az üzemanyag tárolásához és szállításához győződjön meg róla, hogy nincsenek szivárgások vagy gőzök. Szikra vagy nyílt láng, például elektromos készülékektől vagy kazánoktól, tüzet okozhat.
- Mindig engedélyezett tartályokat használjon az üzemanyag tárolására és szállítására.
- Ha a terméket hosszabb ideig tárolja, ürítse ki az üzemanyagtartályt. A felesleges üzemanyagot adja le egy erre kijelölt gyűjtőpontra.

- Biztonságosan rögzítse a terméket szállítás során, a sérülés és baleset elkerülése érdekében.
- Tartsa a terméket zárható helyen, ahol gyermek vagy jogosulatlan személy nem férhet hozzá.
- Tartsa a terméket száraz és fagymentes helyen.

A termék szállítási helyzetbe állítása

- Szorítsa meg a fogantyúgombokat. (ábra 43)
- Hajtsa előre a kart, amíg végállásba nem kerül. (ábra 44)

Az akkumulátor és a töltő szállítása és tárolása

- Ne vegye ki az akkumulátort, amíg a termék álló helyzetbe és lehűlt állapotba nem kerül. Az akkumulátor eltávolításához tartsa lenyomva az akkumulátor tetején található gombot, és vegye ki a nyílásából.
- Ha a tárolási idő 30 napnál hosszabb, töltsse fel az akkumulátort, amíg több mint 3 zöld fény nem világít.
- Három havonta egyszer töltsse fel az akkumulátort, hogy megelőzze a károsodását.
- Az akkumulátort és az akkumulátortöltőt 5 °C és 40 °C közötti hőmérsékleten kell tárolni. A magasabb hőmérséklet vagy a magas hőmérsékletű hőforrások, például a tűz, károsíthatják az akkumulátort.
- Ne szerelje szét az elemet.
- Ne merítse teljesen vízbe az akkumulátort. Tartsa az akkumulátort száraz, hűvös helyen, ahol megfelelő a légáramlás.
- Ha az akkumulátor szagot áraszt, forró, vagy ha a hő hatására az akkumulátor működés, tárolás

vagy töltés közben deformálódik, vegye ki az akkumulátort, és ne használja.

- A károsodás elkerülése érdekében ügyeljen arra, hogy szállítás közben az akkumulátor és az akkumulátortöltő rögzítve legyen.
- Ügyeljen arra, hogy az akkumulátortöltő ne váljon túl meleggé.

Hulladékkezelés

- Kövesse a helyi újrahasznosítási előírásokat és a vonatkozó szabályozásokat.
- A használt vagy felesleges vegyi anyagot, például a motorolajat vagy a fagyállót, adja le egy szervizközpontban vagy egy erre kijelölt gyűjtőpontra.
- A már nem használt terméket, küldje vissza a Husqvarna kereskedőhöz, vagy adja le egy újrahasznosítási ponton.
- Adja le az akkumulátort egy szervizközpontban vagy egy erre kijelölt gyűjtőpontra.

Műszaki adatok

Műszaki adatok

	LB 144	LB 244E
Motor		
Márka	Husqvarna	Husqvarna
Típus	HS 123A	HS 139AE
Motortípus	Egyhengeres, 4 ütemű, kényszerített léghűtéses, OHV	Egyhengeres, 4 ütemű, kényszerített léghűtéses, OHV
Lökettérfogat, cm ³	123	139
Motor fordulatszáma – Névleges, ford./perc	3000/min	2900/perc
Névleges motorteljesítmény, kW ⁸⁰	1,95	2,2
Gyújtásrendszer		
Gyújtógyertya	Husqvarna HQT-7	Husqvarna HQT-7
Elektródahézag, mm	0,7–0,8	0,7–0,8
Üzemanyag- és olajozási rendszer		
Motor kenési típusa	Fröcsköléses	Fröcsköléses

⁸⁰ A motor feltüntetett névleges teljesítménye az adott motormodell tipikus legyártott motorjának a J1349/ISO1585 sz. SAE-szabvány szerint mért átlagos nettó teljesítménye (a megadott fordulatszám mellett). A sorozatgyártott motorok esetén ez az érték eltérő lehet. A végső termékbe épített motor tényleges leadott teljesítménye az üzemi fordulatszámától, a környezeti körülményektől és egyéb értékektől függ.

	LB 144	LB 244E
Üzemanyagtartály úrtartalma, l	0,9	0,9
Olajtartály úrtartalma, l	0,5	0,5
Motorolaj ⁸¹	Husqvarna SAE 30, Husqvarna SAE 5W-30 szintetikus, Husqvarna SAE 10W-40	Husqvarna SAE 30, Husqvarna SAE 5W-30 szintetikus, Husqvarna SAE 10W-40
Tömeg		
Üres tartályokkal, kg	22	23,5
Zajkibocsátás ⁸²		
Hangteljesítményszint, mért dB (A) érték	91	92
Hangteljesítményszint, garantált, L _{WA} dB (A)	94	94
Zajszintek ⁸³		
Hangnyomásszint a felhasználó fülénél, dB (A)	79	80
Rezgésszintek ⁸⁴		
Felső rezgésfogyantú, m/s ²	7,6	6,0
Vágófelszerelés		
Vágási magasság, mm	25–75	25–75
Vágószélesség, mm	440	440
Vágórendszer	Bioclip®	Bioclip®
Kés – standard	Mulch 5464584-10	Mulch 5464584-10
Rendszerindítás		
Elektromos indítószervezet	Nem	Igen
Akkumulátor	-	Lítium-ion, 10,8 V, 21,6 Wh

⁸¹ API SJ vagy jobb minőségű motorolajat használjon. Ha SAE-30 típusú olajat használnak +5 °C alatti hőmérsékleten, fennáll a kockázata, hogy az nem képes biztosítani a motor megfelelő kenését. Ez a motor sérülését okozhatja. Az alacsony hőmérséklet mellett alkalmazandó megfelelő olajtípusra vonatkozóan lásd: *A motorolaj cseréje – 185. oldalon*. Tekintse meg a viszkozitási táblázatot a motor kézikönyvében (ha mellékelve van), és válassza a várható kinti hőmérsékletnek leginkább megfelelő viszkozitást.

⁸² A környezetben a 2000/14/EK sz. EK irányelvvel összhangban hangteljesítményként mért zajkibocsátás (L_{WA}).

⁸³ A zajnyomásszintre vonatkozó jelentési adatok az 1,2 dB (A) tipikus statisztikus ingadozásával (szórásával) rendelkeznek.

⁸⁴ A rezgésszintre vonatkozó jelentési adatok a 0,2 m/s² tipikus statisztikus ingadozásával (szórásával) rendelkeznek.

Megfelelőségi nyilatkozat

EU megfelelési nyilatkozat

A **Husqvarna AB**, SE-561 82 Huskvarna, Sweden (tel.: +46-36-146500), a saját felelősségére kijelenti, hogy a termék:

Leírás	Fűnyíró
Márka	Husqvarna
Típus/modell	LB 144, LB 244E
Megjelölés	2023-as és újabb sorozatszámok

teljes mértékben megfelelnek a következő EU-irányelveknek és szabályozásoknak:

Szabályozás	Leírás
2006/42/EK	„gépre vonatkozó”
2014/30/EU	„elektromágneses megfelelésre vonatkozó”
2000/14/EK	„környezeti zajkibocsátásra vonatkozó”
2011/65/EU	„az egyes veszélyes anyagok elektromos és elektronikus berendezésekben való alkalmazásának korlátozására vonatkozó”

valamint hogy az alábbi szabványok és/vagy műszaki előírások kerültek alkalmazásra:
EN ISO 5395-1:2013+A1:2018, EN ISO 5395-2:2013+A1:2016+A2:2017, EN IEC 63000:2018, EN ISO 14982:2009

Bejelentett tanúsítási szervezet: A(z) 0404, SMP Svensk Maskinprovning AB, Box 4053, SE-904 03 Umeå, Sweden igazolja a Bizottság 2000/14/EK jelű irányelve VI., megfelelésértékelési eljárás című függelékének való megfelelést.

A zajkibocsátásra vonatkozó tájékoztatást illetően tekintse át a következőt: *Műszaki adatok 189. oldalon.*

Huskvarna, 2023-09-18



Claes Losdal, Fejlesztési Igazgató/Kertművelési termékek, Husqvarna AB

A műszaki dokumentációk felelőse



Sommario

Introduzione.....	192	Ricerca guasti del motore.....	203
Sicurezza.....	193	Trasporto, stoccaggio e smaltimento.....	204
Montaggio.....	196	Dati tecnici.....	205
Utilizzo.....	196	Dichiarazione di conformità.....	207
Manutenzione.....	198		

Introduzione

Descrizione del prodotto

Il prodotto è un tagliaerba rotativo con operatore a piedi che utilizza BioClip per tagliare l'erba da utilizzare come fertilizzante.

Panoramica del prodotto

(Fig. 1)

1. Impugnatura del freno motore
2. Impugnatura/manubrio
3. Impugnatura della fune di avviamento (LB 144)
4. Leva altezza di taglio
5. Tappo dell'olio e astina di livello
6. Marmitta
7. Candela
8. Impugnatura di sollevamento
9. Barra di regolazione dell'altezza per il manubrio
10. Tappo del serbatoio del carburante
11. Filtro dell'aria
12. Coperchio di taglio
13. Lama
14. Rondella elastica
15. Bullone lama
16. Batteria, dispositivo di sicurezza (LB 244E)
17. Tasto di avviamento elettrico (LB 244E)
18. Manuale dell'operatore

Simboli riportati sul prodotto

(Fig. 2) **AVVERTENZA!** Prestare attenzione e utilizzare il prodotto correttamente. Il prodotto può causare gravi lesioni o morte dell'operatore o altre persone.

(Fig. 3) Prima dell'uso, leggere per intero il manuale dell'operatore e accertarsi di aver compreso le istruzioni.

(Fig. 4) Prestare attenzione a oggetti lanciati o rimbalzati.

(Fig. 5) Mantenere le persone e gli animali a una distanza di sicurezza dalla zona di lavoro.

Uso previsto

Utilizzare il prodotto per tagliare l'erba. Non utilizzare il prodotto per altre attività.

(Fig. 6) **Avvertenza:** Tenere mani e piedi lontani dalla lama rotante.

(Fig. 7) **Avvertenza:** Tenere le mani e i piedi lontani dalle parti rotanti.

(Fig. 8) Arrestare il motore e rimuovere il cavo di accensione prima di effettuare interventi di riparazione o manutenzione.

(Fig. 9) Il prodotto è conforme alle direttive CE vigenti.

(Fig. 10) Emissioni di rumore nell'ambiente in conformità alle direttive e alle norme UE e UK e alla norma del Nuovo Galles del Sud in materia di protezione dell'ambiente "Protection of the Environment Operations (Noise Control) Regulation 2017". Il livello di potenza sonora garantito del prodotto è specificato in *Dati tecnici alla pagina 205* nonché sull'etichetta.

(Fig. 11)

Questo prodotto è conforme alle direttive del Regno Unito vigenti.

(Fig. 12) **Rischio di incendio.**

(Fig. 13) **Non respirare i fumi di scarico.** I fumi di scarico del motore contengono monossido di carbonio, un gas inodore, velenoso ed estremamente pericoloso. Non avviare il motore in ambienti o spazi chiusi.

(Fig. 14) **Superficie calda.**

(Fig. 16) **Rifornire il motore con olio prima di avviare il prodotto.**

(Fig. 17) Procedura di avviamento per LB 144: Spingere verso il basso l'impugnatura del freno motore e tirare l'impugnatura della fune di avviamento.

(Fig. 18) Procedura di avviamento per LB 244E: Spingere la maniglia del freno motore verso il basso e premere il pulsante di avviamento.

(Fig. 15) Codice scansionabile.

Nota: I restanti simboli/decalcomanie sul prodotto riguardano particolari requisiti necessari per ottenere la certificazione in altre aree commerciali.

Danni al prodotto

Non siamo responsabili dei danni al prodotto se:

- Il prodotto viene riparato in modo errato.
- Il prodotto viene riparato con parti che non provengono o non sono omologate dal produttore.
- Il prodotto contiene un accessorio che non proviene o non è omologato dal produttore.
- Il prodotto non viene riparato presso un centro di assistenza autorizzato o presso un'autorità competente.

Emissioni Euro V



AVVERTENZA: La manomissione del motore rende nulla l'omologazione UE del prodotto.

Sicurezza

Definizioni di sicurezza

Le avvertenze, le precauzioni e le note sono utilizzate per evidenziare le parti importanti del manuale.



AVVERTENZA: Utilizzato se è presente un rischio di lesioni o morte dell'operatore o di passanti nel caso in cui le istruzioni del manuale non vengano rispettate.



ATTENZIONE: Utilizzato se è presente un rischio di danni al prodotto, ad altri materiali oppure alla zona adiacente nel caso in cui le istruzioni del manuale non vengano rispettate.

Nota: Utilizzato per fornire ulteriori informazioni necessarie in una determinata situazione.

Istruzioni di sicurezza generali



AVVERTENZA: Leggere le seguenti avvertenze prima di utilizzare il prodotto.

- Questo prodotto è pericoloso se utilizzato in maniera impropria o se non si presta attenzione. La mancata osservanza delle istruzioni di sicurezza può causare lesioni anche fatali.
- Durante il funzionamento, questo prodotto genera un campo elettromagnetico. Tale campo può interferire, in alcuni casi, con persone portatrici di impianti medici attivi o passivi. Per ridurre il rischio di condizioni che possono implicare lesioni gravi o mortali, i portatori di tali impianti devono consultare il

proprio medico e il produttore dell'impianto prima di utilizzare questo prodotto.

- Usare la massima cautela e il buon senso. Se non si è sicuri di come utilizzare il prodotto in una particolare situazione, fermarsi e rivolgersi al proprio rivenditore Husqvarna prima di continuare.
- Tenere presente che l'operatore potrà essere ritenuto responsabile di eventuali incidenti che coinvolgono altre persone o i loro beni.
- Tenere pulito il prodotto. Assicurarsi che sia possibile leggere chiaramente simboli e decalcomanie.
- Non consentire ad altre persone di utilizzare il prodotto se non si è sicuri che abbiano letto e compreso il contenuto del Manuale dell'operatore.
- Non consentire ai bambini di utilizzare il prodotto.
- Tenere i bambini lontani dall'area di lavoro. È necessaria sempre la supervisione di un adulto responsabile.
- Non permettere a chiunque non conosca le istruzioni di utilizzare il prodotto.
- Controllare sempre qualsiasi persona, dalle capacità fisiche o mentali ridotte, che utilizzi il prodotto. È necessaria sempre la supervisione di un adulto responsabile.
- Non utilizzare il prodotto quando si è stanchi, ammalati o sotto effetto di alcool, farmaci o medicinali. Essi potrebbero compromettere la vista, l'attenzione, il coordinamento e il giudizio.
- Non utilizzare un prodotto danneggiato o che non funzioni correttamente.
- Non modificare il prodotto né utilizzarlo nel caso in cui vi sia la possibilità che sia stato modificato da altri.
- Non modificare la regolazione per il controllo del regime motore.

Sicurezza dell'area di lavoro



AVVERTENZA: Leggere le seguenti avvertenze prima di utilizzare il prodotto.

- Rimuovere oggetti quali rami, ramoscelli o pietre dall'area di lavoro prima di utilizzare il prodotto.
- Gli oggetti che urtano contro l'attrezzatura di taglio potrebbero essere proiettati e causare danni a cose e persone. Mantenere persone e animali a una distanza di sicurezza dal prodotto.
- Non utilizzare mai il prodotto in condizioni meteorologiche avverse quali nebbia, pioggia, vento forte, freddo intenso e rischio di fulmini. L'uso del prodotto in condizioni meteorologiche avverse o in ambienti umidi è stancante. Condizioni meteorologiche avverse possono causare situazioni di pericolo quali superfici scivolose.
- Prestare attenzione a persone, cose e situazioni che possono impedire un utilizzo sicuro del prodotto.
- Prestare attenzione a ostacoli quali radici, pietre, ramoscelli, fossi e avvallamenti. L'erba alta può nascondere eventuali ostacoli.
- Tagliare l'erba in pendenza può risultare pericoloso. Non utilizzare il prodotto su terreni con pendenze superiori a 15°.
- Utilizzare il prodotto trasversalmente lungo i pendii. Non spostarsi seguendo tragitti verso l'alto e verso il basso.
- Prestare attenzione in prossimità di angoli e oggetti nascosti che potrebbero ostacolare la visuale.

Sicurezza sul lavoro



AVVERTENZA: Leggere le seguenti avvertenze prima di utilizzare il prodotto.

- Utilizzare il prodotto esclusivamente per tagliare il prato. Non è consentito utilizzare il prodotto per altri scopi.
- Usare sempre abbigliamento protettivo personale. Vedere *Abbigliamento protettivo personale alla pagina 194*.
- Assicurarsi di saper spegnere il motore rapidamente in caso di emergenza.
- Non avviare il motore in uno spazio chiuso o in prossimità di materiali infiammabili. I fumi di scarico del motore sono molto caldi e possono contenere scintille in grado di provocare incendi.
- Non azionare il prodotto senza prima aver montato correttamente la lama e tutti i coperchi. Una lama non correttamente fissata potrebbe allentarsi e causare lesioni personali.
- Assicurarsi che la lama non urti oggetti quali pietre e radici. Ciò potrebbe provocare danni alla lama e piegare l'albero motore. Un'asse piegato provoca

forti vibrazioni e un alto rischio di allentamento della lama.

- Qualora la lama urti contro un oggetto o all'insorgere di vibrazioni arrestare immediatamente il prodotto. Staccare il cavo di accensione dalla candela. Verificare la presenza di eventuali danni al prodotto. Riparare eventuali danni o contattare un'officina autorizzata per far svolgere la riparazione.
- Non fissare l'impugnatura del freno motore in modo permanente al manubrio quando il motore è avviato.
- Posizionare il prodotto su una superficie piana e stabile e avviarlo. Assicurarsi che la lama non venga a contatto con il terreno o con altri oggetti.
- Collocarsi sempre posteriormente al prodotto quando lo si utilizza.
- Consentire a tutte le ruote di restare a contatto con il suolo e tenere le 2 mani sull'impugnatura mentre si aziona il prodotto. Tenere mani e piedi lontani dalle lame rotanti.
- Non ribaltare il prodotto a motore acceso.
- Prestare attenzione quando si tira il prodotto verso di sé.
- Non sollevare mai il prodotto a motore avviato. Se si deve sollevare il prodotto, arrestare innanzitutto il motore e scollegare il cavo di accensione dalla candela.
- Non camminare all'indietro quando si utilizza il prodotto.
- Arrestare il motore quando si attraversano zone prive d'erba quali vialetti in ghiaia, pietra e asfalto.
- Non correre con il prodotto quando il motore è acceso. Camminare sempre durante l'utilizzo del prodotto.
- Spegner il motore prima di apportare qualsiasi modifica all'altezza di taglio. Non effettuare mai regolazioni a motore acceso.
- Non perdere mai di vista il prodotto quando il motore è acceso. Arrestare il motore e assicurarsi che l'attrezzatura di taglio non giri.

Istruzioni di sicurezza per il funzionamento

Abbigliamento protettivo personale



AVVERTENZA: Leggere le seguenti avvertenze prima di utilizzare il prodotto.

- L'uso di abbigliamento protettivo personale non elimina il rischio di lesioni, ma ne riduce la gravità in caso di incidente. Farsi consigliare dal rivenditore per la scelta dell'attrezzatura adatta.
- Utilizzare protezioni per le orecchie se il livello di rumore è superiore a 85 dB.
- Utilizzare robusti stivali o scarpe antiscivolo. Non utilizzare il prodotto con calzature aperte o a piedi nudi.
- Utilizzare pantaloni lunghi di tessuto pesante.

- Indossare guanti protettivi ove necessario, ad esempio per montare, ispezionare o pulire l'attrezzatura di taglio.

Dispositivi di sicurezza sul prodotto



AVVERTENZA: Leggere le seguenti avvertenze prima di utilizzare il prodotto.

- Non utilizzare un prodotto usando dispositivi di sicurezza danneggiati o che non funzionano correttamente.
- Effettuare regolarmente un controllo dei dispositivi di sicurezza. Se i dispositivi di sicurezza sono danneggiati o non funzionano correttamente, rivolgersi al centro di assistenza Husqvarna.
- Non apportare modifiche ai dispositivi di sicurezza.

Controllo del coperchio di taglio

Il coperchio di taglio riduce le vibrazioni del prodotto e il rischio di ferirsi con la lama.

- Esaminare il coperchio di taglio per accertarsi che non presenti danni quali crepe.

Batteria (LB 244E)



AVVERTENZA: Una batteria danneggiata diminuisce la sicurezza del prodotto. Utilizzare sempre una batteria approvata dal produttore.

La batteria fornisce l'alimentazione all'avviamento elettrico ed è un dispositivo di sicurezza che impedisce l'avviamento accidentale. Rimuovere la batteria quando non si usa il prodotto e quando lo si lascia incustodito.

Controllo dell'impugnatura del freno motore

L'impugnatura del freno motore arresta il motore. Quando si rilascia l'impugnatura del freno motore, il motore si arresta.

- Avviare il motore, quindi rilasciare l'impugnatura del freno motore. Se il motore non si arresta entro 3 secondi, far regolare il freno motore presso un'officina Husqvarna autorizzata. (Fig. 19)

Marmitta

La marmitta assicura il minimo livello di rumorosità e allontana i fumi di scarico dall'operatore.

Non utilizzare il prodotto se la marmitta è mancante o danneggiata. Una marmitta danneggiata aumenta il livello acustico e il rischio di incendio.



AVVERTENZA: La marmitta si surriscalda durante e dopo l'uso e quando il motore funziona al regime minimo.

Prestare attenzione in prossimità di materiali infiammabili e/o fumi per evitare incendi.

Controllo della marmitta

- Esaminare la marmitta periodicamente per assicurarsi che sia collegata correttamente e che non sia danneggiata.

Sicurezza per l'uso del carburante



AVVERTENZA: Leggere le seguenti avvertenze prima di utilizzare il prodotto.

- Non avviare il prodotto nel caso in cui vi sia carburante o olio motore su di esso. Rimuovere il carburante/olio indesiderato e lasciare che il prodotto si asciughi.
- In caso di perdite di carburante sugli indumenti, cambiarsi immediatamente.
- Il carburante non deve arrivare a contatto con il corpo, poiché può causare lesioni. In caso di contatto del carburante con il corpo, rimuoverlo con acqua e sapone.
- Non avviare il prodotto se il motore presenta una perdita. Esaminare regolarmente il motore per verificare la presenza di eventuali perdite.
- Prestare la massima attenzione con il carburante. Il carburante è infiammabile e i fumi sono esplosivi quindi possono causare lesioni o morte.
- Non respirare i fumi del carburante perché possono causare lesioni. Accertarsi che ci sia un flusso d'aria sufficiente.
- Non fumare in prossimità del carburante o del motore.
- Non posizionare oggetti caldi in prossimità del carburante o del motore.
- Non aggiungere carburante a motore acceso.
- Assicurarsi che il motore sia freddo prima di effettuare il rifornimento.
- Prima di effettuare il rifornimento, aprire lentamente il tappo del serbatoio del carburante e rilasciare la pressione con cautela.
- Non aggiungere carburante al motore in un ambiente chiuso. Un flusso d'aria insufficiente può causare lesioni o la morte dovute ad asfissia o al monossido di carbonio.
- Stringere a fondo il tappo del serbatoio del carburante. Se il tappo del serbatoio del carburante non è serrato, vi è il rischio di incendio.
- Prima dell'avviamento, spostare il prodotto di almeno 3 m/10 ft dal punto in cui è stato riempito il serbatoio del carburante.
- Non riempire completamente il serbatoio del carburante. Il calore provoca l'espansione del carburante. Lasciare dello spazio nella parte superiore del serbatoio del carburante.
- Non riporre il prodotto con il carburante nel serbatoio in una rimessa in cui siano presenti fonti di ignizione,

come riscaldatori per acqua calda, elementi di riscaldamento o abiti. Far raffreddare il motore prima del rimessaggio al chiuso.

Istruzioni di sicurezza per la manutenzione



AVVERTENZA: Leggere le seguenti avvertenze prima di utilizzare il prodotto.

- I fumi di scarico del motore contengono monossido di carbonio, un gas inodore, velenoso e altamente pericoloso. Non avviare il motore in ambienti o spazi chiusi.
- Prima di eseguire la manutenzione del prodotto, arrestare il motore e rimuovere il cavo di accensione dalla candela. Rimuovere la batteria anche sul modello LB 244E.

- Indossare guanti protettivi quando si esegue la manutenzione dell'attrezzatura di taglio. La lama è molto affilata e ci si può ferire facilmente.
- Accessori e modifiche apportate al prodotto che non siano stati approvati dal costruttore possono causare infortuni gravi, anche fatali. Non apportare modifiche al prodotto. Utilizzare sempre accessori approvati dal produttore.
- Se la manutenzione non viene eseguita correttamente e con regolarità, aumenta il rischio di lesioni personali e danni al prodotto.
- Eseguire esclusivamente gli interventi di manutenzione riportati nel presente manuale. Tutti gli altri interventi di manutenzione devono essere svolti da un'officina Husqvarna autorizzata.
- Rivolgersi a un'officina Husqvarna autorizzata per far svolgere regolarmente interventi di manutenzione sul prodotto.
- Sostituire le parti danneggiate, usurate o rotte.

Montaggio

Introduzione



AVVERTENZA: Prima di assemblare il prodotto, leggere e comprendere il capitolo sulla sicurezza.



AVVERTENZA: Rimuovere il cavo della candela dalla candela prima di assemblare il prodotto.

Montaggio dell'impugnatura

1. Tirare l'impugnatura all'indietro fino a quando non si trova nella posizione finale. (Fig. 20)

2. Serrare le manopole dell'impugnatura. (Fig. 21)

Regolazione dell'altezza dell'impugnatura

1. Assicurarsi che la barra di regolazione dell'altezza sia nella scanalatura. Premere la barra di regolazione dell'altezza con il piede, se non è inserita nella scanalatura. (Fig. 22)
2. Premere la barra di regolazione dell'altezza con il piede.
3. Portare il manubrio nella posizione corretta e rilasciarlo. (Fig. 23)

Utilizzo

Introduzione



AVVERTENZA: Prima di utilizzare il prodotto, è necessario leggere e comprendere il capitolo relativo alla sicurezza.

Husqvarna Connect

Husqvarna Connect è un'app gratuita per i dispositivi mobili. L'app Husqvarna Connect fornisce funzioni estese per il prodotto Husqvarna:

- Informazioni aggiuntive sul prodotto.
- Dettagli, guida, parti del prodotto e manutenzione.

Primo utilizzo Husqvarna Connect

1. Scaricare l'app Husqvarna Connect sul proprio dispositivo mobile.
2. Registrarsi nell'app Husqvarna Connect.
3. Attenersi alle istruzioni dell'app Husqvarna Connect per collegare e registrare il prodotto.

Prima di utilizzare il prodotto

1. Leggere il manuale dell'operatore con attenzione e accertarsi di averne compreso il contenuto.
2. Esaminare l'attrezzatura di taglio per assicurarsi che sia correttamente collegata e regolata. Fare riferimento a *Per controllare l'attrezzatura di taglio alla pagina 199*.

3. Effettuare un controllo del livello dell'olio motore e rabboccare se necessario. Fare riferimento a *Controllo del livello dell'olio alla pagina 200*.
4. Riempire il serbatoio del carburante. Fare riferimento a *Rifornimento del carburante alla pagina 197*.

Rifornimento del carburante

Se disponibile, utilizzare benzina con un carburante a basso livello di emissioni/alchilata. Se non è disponibile a basso livello di emissioni/alchilata, utilizzare una scoppio senza piombo di buona qualità o una scoppio contenente piombo con un numero di ottani non inferiore a 91.



ATTENZIONE: Non utilizzare mai benzina con un numero di ottani inferiore a 91 RON. Ciò può causare danni al prodotto.



ATTENZIONE: Sostituire il filtro del carburante ogni anno o più frequentemente, se necessario. Presso il rivenditore Husqvarna è disponibile un nuovo filtro del carburante.



ATTENZIONE: Spegner sempre il motore prima di riempire il serbatoio di carburante.



ATTENZIONE: Non utilizzare liquidi di avviamento pressurizzati.

1. Aprire lentamente il tappo del serbatoio del carburante per rilasciare la pressione.
2. Riempire lentamente il serbatoio con una tanica di carburante. Se si versa del carburante, rimuoverlo con un panno e lasciare asciugare eventuali residui. (Fig. 24)
3. Pulire l'area intorno al tappo del serbatoio del carburante.
4. Stringere a fondo il tappo del serbatoio del carburante. Se il tappo del serbatoio del carburante non è serrato, vi è il rischio di incendio.
5. Prima dell'avviamento, spostare il prodotto di almeno 3 m/10 ft dal punto in cui è stato riempito il serbatoio del carburante.

Per fissare il prodotto in posizione di funzionamento

1. Montaggio dell'impugnatura. Fare riferimento a *Montaggio dell'impugnatura alla pagina 196*.
2. Regolare l'altezza dell'impugnatura. Fare riferimento a *Regolazione dell'altezza dell'impugnatura alla pagina 196*.



ATTENZIONE: Assicurarsi che non vi sia troppa tensione nei cavi. Una tensione eccessiva può causare danni al cavo se l'impugnatura è piegata in posizione di trasporto.



AVVERTENZA: Non azionare il prodotto a meno che l'impugnatura non sia completamente ripiegata e impostata in una delle posizioni di altezza applicabili. Fare riferimento a *Regolazione dell'altezza dell'impugnatura alla pagina 196*.

Impostazione dell'altezza di taglio

L'altezza di taglio può essere regolata su 6 diverse posizioni.

1. Spegner il motore.
2. Per aumentare l'altezza di taglio, spingere la leva dell'altezza di taglio all'indietro. (Fig. 25)
3. Per diminuire l'altezza di taglio, spingere la leva dell'altezza di taglio in avanti.



ATTENZIONE: Non impostare l'altezza di taglio troppo in basso. Se la superficie del prato non è piana, le lame possono urtare il terreno.

Avviamento del prodotto

- Accertarsi che il cavo di accensione sia collegato alla candela.

Avviamento manuale (LB 144)

1. Collocarsi dietro il prodotto.
2. Mantenere l'impugnatura del freno motore sull'impugnatura superiore. (Fig. 26)
3. Tenere l'impugnatura della fune di avviamento con la mano destra.
4. Estrarre lentamente l'impugnatura della fune di avviamento fino a che non si avverte una leggera resistenza.
5. Tirare con forza per avviare il motore.



AVVERTENZA: Non avvolgere la fune di avviamento intorno alla mano.

Avviamento elettrico (LB 244E)

1. Verificare che la batteria sia carica. Fare riferimento a *Manutenzione della batteria (LB 244E) alla pagina 201*.
2. Collegare la batteria al motore. La batteria si blocca in posizione quando si percepisce un clic. (Fig. 27)

3. Rimanere dietro il prodotto e tenere la maniglia del freno motore (A) contro la maniglia superiore. (Fig. 28)
4. Tenere premuto il pulsante di avviamento elettrico per 3-5 secondi. Il motore si avvia.

Nota: Se il motore non si avvia, attendere 1 minuto e tentare di riavviare il prodotto.

Arresto dell'unità

- Per spegnere il motore, rilasciare l'impugnatura del freno motore.

Rimozione della batteria

Per evitare l'avviamento accidentale del motore, rimuovere la batteria quando il prodotto non è in funzione.

- Spingere il pulsante di bloccaggio (A) ed estrarre la batteria. (Fig. 29)

Per ottenere un buon risultato

- Utilizzare sempre una lama ben affilata. Una lama non tagliente fornisce un risultato irregolare e la superficie di taglio dell'erba ingiallisce. Una lama affilata inoltre consuma minore energia di una lama affilata.
- Non tagliare più di $\frac{1}{3}$ dell'altezza dell'erba. Iniziare l'operazione di taglio impostando l'altezza di taglio su un livello alto. Esaminare il risultato e ridurre l'altezza di taglio al livello applicabile. Se l'erba è molto alta, procedere lentamente e tagliarla 2 volte, se necessario.
- Tagliare sempre in direzioni diverse per evitare il formarsi di strisce sul prato.
- Mantenere pulito il coperchio di taglio. L'accumulo di erba e sporcizia sul lato interno del coperchio di taglio può ridurre il risultato del taglio. Fare riferimento a *Per pulire la superficie interna del coperchio di taglio alla pagina 199.*

Manutenzione

Introduzione



AVVERTENZA: Prima di svolgere la manutenzione, leggere e comprendere il capitolo relativo alla sicurezza.

Per tutti gli interventi di assistenza e riparazione sul prodotto, è necessaria una formazione specifica. La nostra azienda garantisce la disponibilità di personale qualificato per le riparazioni e l'assistenza. Se non avete acquistato il prodotto presso un rivenditore dotato di officina, informatevi sull'ubicazione della più vicina officina autorizzata.

Per ulteriori informazioni dettagliate, fare riferimento a www.husqvarna.com.

Programma di manutenzione



ATTENZIONE: Accertarsi che il filtro dell'aria sia in alto e non a terra quando si inclina il prodotto. Rischio di avarie al motore.



ATTENZIONE: Per i modelli ad avviamento elettrico, rimuovere sempre la batteria prima di eseguire la manutenzione, interventi di riparazioni o pulire il prodotto.

Gli intervalli di manutenzione sono calcolati sulla base di un uso quotidiano del prodotto. Gli intervalli cambiano se il prodotto non viene usato quotidianamente.

Per gli interventi di manutenzione contrassegnati con il simbolo *, fare riferimento alle istruzioni in *Dispositivi di sicurezza sul prodotto alla pagina 195.*

Manutenzione	Giornaliera	Una volta al mese	Ogni stagione
Effettuare un'ispezione generale	X		
Controllare il livello dell'olio	X		
Cambiare l'olio (la prima volta dopo 5 ore di funzionamento, successivamente dopo ogni 50 ore) ⁸⁵			X

⁸⁵ Se il prodotto viene utilizzato con carichi pesanti o a temperature ambiente elevate, sostituire l'olio motore ogni 25 ore.

Manutenzione	Giornaliera	Una volta al mese	Ogni stagione
Pulire il prodotto	X		
Pulire l'area intorno alla barra di regolazione dell'altezza dell'impugnatura	X		
Controllare l'attrezzatura di taglio	X		
Controllare il coperchio di taglio *	X		
Controllare l'impugnatura del freno motore *	X		
Controllare la marmitta *		X	
Esaminare la candela. Pulire o sostituire la candela secondo necessità			X
Controllare il filtro dell'aria	X		
Pulire il filtro dell'aria ⁸⁶		X	
Sostituire il filtro dell'aria			X
Controllare il sistema di alimentazione			X
Pulire le alette di raffreddamento sul cilindro		X	

Ispezione generale

- Controllare che tutti i dadi e le viti del prodotto siano serrati correttamente.

Per pulire esternamente il prodotto

- Utilizzare una spazzola per rimuovere foglie, erba e sporcizia.
- Assicurarsi che la presa d'aria nella parte superiore del motore non sia ostruita.
- Non utilizzare una lancia ad alta pressione per pulire il prodotto.
- Se si utilizza dell'acqua per pulire il prodotto, non versare l'acqua direttamente sul motore.

Pulizia dell'area intorno all'anello di regolazione dell'altezza della maniglia

- Utilizzare una spazzola per rimuovere foglie, erba e sporcizia.
(Fig. 30)

Per pulire la superficie interna del coperchio di taglio

- Svuotare il serbatoio del carburante.
- Inclinare il prodotto. Assicurarsi che la candela sia rivolta verso l'alto.



ATTENZIONE: Se il prodotto è stato collocato con il filtro dell'aria rivolto verso il basso, il motore potrebbe danneggiarsi.

- Lavare la superficie interna del coperchio di taglio con acqua.

Per controllare l'attrezzatura di taglio



AVVERTENZA: Per evitare l'avviamento accidentale del prodotto, rimuovere il cavo di accensione dalla candela.



AVVERTENZA: Indossare guanti protettivi quando si esegue la manutenzione dell'attrezzatura di taglio. La lama è molto affilata e ci si può ferire facilmente.

- Controllare l'attrezzatura di taglio per individuare danni o crepe. Sostituire sempre l'attrezzatura di taglio danneggiata.
- Osservare la lama per controllare che non sia danneggiata o usurata.

Nota: Dopo l'affilatura la lama deve essere bilanciata. Rivolgersi a un centro assistenza per l'affilatura, la sostituzione e il bilanciamento. Se si urta un ostacolo che provoca l'arresto del prodotto, sostituire la lama

⁸⁶ Pulire più spesso in ambienti polverosi o in presenza di detriti trasportati dall'aria. Sostituire il filtro dell'aria, se è molto sporco.

danneggiata. Il centro di assistenza può valutare se la lama può essere affilata o deve essere sostituita.

Per sostituire la lama

1. Bloccare la lama con un blocco di legno. (Fig. 31)
2. Rimuovere il bullone e la rondella reggispinna della lama.
3. Rimuovere la lama.
4. Esaminare il supporto e il bullone della lama per verificare la presenza di eventuali danni.
5. Esaminare l'albero motore per accertarsi che non sia piegato.
6. Quando si fissa la nuova lama, assicurarsi che gli angoli finali della lama puntino in direzione del coperchio di taglio. (Fig. 32)
7. Assicurarsi che la lama sia allineata con il centro dell'albero motore.
8. Bloccare la lama con un blocco di legno. Inserire la rondella reggispinna e serrare il bullone e la rondella a una coppia di 44-46 Nm. (Fig. 33)
9. Girare manualmente la lama per verificare che possa ruotare liberamente.



AVVERTENZA: Utilizzare dei guanti da lavoro spessi. La lama è molto affilata e ci si può ferire facilmente.

10. Avviare il prodotto per eseguire una prova della lama. Se la lama non è collegata correttamente, si verificano delle vibrazioni nel prodotto o il risultato del taglio è insoddisfacente.

Controllo del livello dell'olio



ATTENZIONE: Se il livello dell'olio è troppo basso si possono verificare danni al motore. Controllare il livello dell'olio prima di avviare il prodotto.

1. Posizionare il prodotto su un terreno in piano.
2. Rimuovere il tappo del serbatoio dell'olio e l'annessa asta di livello.
3. Pulire l'olio dall'astina di livello.
4. Spingere completamente l'asta di livello nel serbatoio dell'olio.
 - a) Non mettere il tappo del serbatoio dell'olio LB 144.
 - b) Mettere il tappo del serbatoio dell'olio LB 244E.
5. Rimuovere il tappo del serbatoio dell'olio e l'asta di livello.
6. Controllare il livello dell'olio sull'asta di livello annessa.
7. Se il livello dell'olio è basso, rabboccare con olio motore ed eseguire nuovamente un controllo del livello dell'olio. (Fig. 34)

Nota: Utilizzare un imbuto per evitare fuoriuscite.

8. Mettere il tappo del serbatoio dell'olio quando il livello dell'olio è corretto.

Cambio dell'olio motore



AVVERTENZA: L'olio motore è molto caldo subito dopo lo spegnimento del motore. Lasciare che il motore si raffreddi prima di scaricare l'olio motore. Se si versa accidentalmente dell'olio motore sulla pelle, lavare con acqua e sapone.

(Fig. 35)

1. Azionare il prodotto fino a quando il serbatoio carburante è vuoto.
2. Rimuovere il cavo di accensione dalla candela.
3. Rimuovere il tappo del serbatoio dell'olio con l'annessa asta di livello.
4. Posizionare un recipiente sotto il prodotto per raccogliervi l'olio motore.
5. Inclinare il prodotto o scaricare l'olio motore dal serbatoio dell'olio con una pompa dell'olio (accessoria).
6. Riempire con nuovo olio motore del tipo raccomandato in *Dati tecnici alla pagina 205*.
7. Eseguire il controllo del livello dell'olio. Fare riferimento a *Controllo del livello dell'olio alla pagina 200*.
8. Montare il tappo del serbatoio dell'olio quando il livello dell'olio è corretto.

Filtro dell'aria

Un filtro dell'aria sporco può causare danni al motore e impedirne il corretto funzionamento. Eseguire la manutenzione del filtro dell'aria con maggiore frequenza in caso di utilizzo in ambienti polverosi. Fare riferimento a *Programma di manutenzione alla pagina 198* per informazioni su come sostituire il filtro dell'aria.

Nota: Sostituire sempre un filtro dell'aria danneggiato.

Rimozione e installazione del filtro dell'aria (LB 244E)



AVVERTENZA: Usare guanti protettivi.

1. Spingere i fermi sul coperchio del filtro dell'aria.
2. Rimuovere con cautela il coperchio del filtro dell'aria (A) dal motore.
3. Rimuovere il filtro dell'aria (B). (Fig. 36)

- Controllare la presenza di eventuali danni al filtro dell'aria. Sostituire un filtro dell'aria danneggiato.
- Pulire e esaminare il filtro dell'aria. Fare riferimento a *Pulizia del filtro dell'aria (LB 244E) alla pagina 201.*
- Montare, seguendo i passaggi nell'ordine inverso.

Pulizia del filtro dell'aria (LB 244E)

Un filtro dell'aria sporco può causare danni al motore e impedirne il corretto funzionamento. Eseguire la manutenzione del filtro dell'aria con maggiore frequenza in caso di utilizzo in ambienti polverosi.

Fare riferimento a *Programma di manutenzione alla pagina 198* per informazioni su come sostituire il filtro dell'aria.

- Rimuovere il coperchio del filtro dell'aria e il filtro.
- Pulire il filtro battendolo contro una superficie piatta. Non usare solventi con petrolio, cherosene o aria compressa per pulire il filtro.

Nota: I filtri dell'aria utilizzati per lungo tempo non possono essere puliti completamente. Sostituire il filtro dell'aria a intervalli regolari. I filtri dell'aria danneggiati devono essere sempre sostituiti.

- Quando si monta il filtro dell'aria, accertarsi che sia completamente inserito nel portafiltro.

Per pulire il filtro in materiale espanso (LB 144)



ATTENZIONE: Non avviare il motore senza i filtri dell'aria. L'usura del motore aumenta se l'aria è sporca.

- Rimuovere il coperchio del filtro dell'aria (A). (Fig. 37)
- Rimuovere i filtri in materiale espanso (B).



ATTENZIONE: Esaminare i filtri in materiale espanso per verificare che non siano danneggiati o usurati. Sostituire tutti i filtri in materiale espanso danneggiati.

- Pulire i filtri in materiale espanso con acqua e sapone.
- Sciacquare i filtri in materiale espanso con acqua pulita.
- Strizzare via l'acqua dai filtri in materiale espanso e lasciarli asciugare.



ATTENZIONE: Non usare aria compressa. Ciò può causare danni al filtro in materiale espanso.

- Lubrificare i filtri in materiale espanso con olio motore.

- Premere un panno pulito contro il filtro in materiale espanso per rimuovere residui di olio indesiderati.
- Installare i filtri in materiale espanso. Assicurarsi che i filtri in materiale espanso si chiudano ermeticamente sul portafiltro dell'aria.
- Montare il coperchio del filtro dell'aria.

Manutenzione della batteria (LB 244E)

La batteria non necessita di manutenzione. In caso di necessità, rivolgersi esclusivamente a un centro assistenza autorizzato per interventi di manutenzione sulle batterie.

Utilizzo della batteria per la prima volta (LB 244E)



ATTENZIONE: Non lasciare che la batteria si scarichi. Se la batteria si scarica, potrebbe danneggiarsi.

È necessario caricare la batteria prima del primo utilizzo.

- Collegare il caricabatteria alla batteria, fare riferimento a *Ricarica della batteria (LB 244E) alla pagina 201.*
- Attendere che si accenda almeno 1 LED verde.
- Collegare la batteria al motore, fare riferimento a *Avviamento elettrico (LB 244E) alla pagina 197.*

Ricarica della batteria (LB 244E)

Se solo 1 o 0 spie luminose della batteria sono accese, è necessario caricare la batteria. Una batteria scarica si ricarica completamente in 2 ore. Il caricamento per brevi periodi di tempo non danneggia la batteria.

- Collegare il caricabatteria alla batteria. (Fig. 38)
- Collegare il caricabatteria a una presa di corrente, 100-240V, 50-60Hz.
- Rimuovere prima il caricabatterie dalla presa di corrente, quindi rimuovere il caricabatterie dalla batteria.

Stato di carica della batteria

Display a LED della batteria	Stato
Il LED 1 lampeggia rosso.	1%-9%
Il LED 1 è rosso fisso.	10%-32%
Il LED 1 è verde e il LED 2 è rosso.	33%-54%
I LED 1 e 2 sono verdi e il LED 3 è rosso.	55%-77%
I LED 1, 2 e 3 sono verdi e il LED 4 è rosso.	78%-100%

Spia sul caricabatteria	Stato
Luce rossa fissa	Ricarica in corso della batteria.
Luce verde fissa	La batteria è completamente carica.

Controllo della candela



ATTENZIONE: Usare candele originali o del tipo raccomandato. Un tipo di candela errato può danneggiare il prodotto.

- Controllare la candela nel caso in cui il motore giri a bassa potenza, risulti difficile da avviare o non funzioni correttamente al regime minimo.
- Per ridurre il rischio di materiale superfluo sugli elettrodi della candela, osservare le seguenti istruzioni:
 - a) Accertarsi che il regime minimo sia regolato correttamente.
 - b) Accertarsi che la miscela sia corretta.
 - c) Accertarsi che il filtro dell'aria sia pulito.
- Se la candela è incrostata, pulirla e controllare che la distanza tra gli elettrodi sia corretta; vedere *Dati tecnici alla pagina 205*. (Fig. 39)
- Sostituire la candela secondo necessità.

Per controllare il sistema di alimentazione

- Esaminare il tappo del serbatoio del carburante e la relativa guarnizione di tenuta per verificare che non vi siano danni.
- Esaminare il tubo pescante per accertarsi che non presenti perdite. Se il tubo pescante è danneggiato, farlo sostituire presso un'officina.

Drenaggio del serbatoio del carburante

1. Collocare un contenitore sotto il serbatoio del carburante.
2. Rimuovere il tappo del serbatoio del carburante.
3. Spingere le clip sul tubo del carburante contro il carburatore.
4. Rimuovere il tubo dal carburatore.
5. Posizionare il tubo del serbatoio del carburante nel contenitore e rimuovere le clip.
6. Inclinare il prodotto e far fuoriuscire il carburante nel contenitore.

Sostituzione del filtro del carburante



AVVERTENZA: Usare guanti protettivi.

1. Svuotare il serbatoio del carburante.
2. Allontanare la clip tubo dal serbatoio del carburante. (Fig. 40)
3. Rimuovere il tubo pescante dal serbatoio del carburante. Può fuoriuscire una piccola quantità di carburante. (Fig. 41)
4. Rimuovere il filtro del carburante dal serbatoio del carburante. (Fig. 42)
5. Montare un nuovo filtro carburante nel serbatoio del carburante.
6. Collegare il tubo pescante al serbatoio del carburante.
7. Posizionare la clip tubo contro il serbatoio del carburante.

Ricerca guasti del motore

Problema	Possibile causa	Soluzione
Il motore non si avvia.	Il cavo di accensione non è collegato correttamente.	Collegare il cavo di accensione alla candela.
	Il serbatoio del carburante è vuoto.	Riempire il serbatoio del carburante con il corretto tipo di carburante.
	Il carburante è vecchio.	Svuotare il serbatoio del carburante e il carburatore. Rifornire con benzina nuova.
	È presente dello sporco nel carburatore o nel tubo del carburante.	Pulire il carburatore e/o la tubazione del carburante.
	La candela è danneggiata.	Regolare la distanza tra gli elettrodi, pulire o sostituire la candela.
	È presente del carburante sulla candela.	Pulire la candela.
Il motore non si spegne.	Il meccanismo di spegnimento non funziona correttamente.	Staccare il cavo di accensione dalla candela. Rivolgersi a un tecnico dell'assistenza qualificato per la riparazione del prodotto.
Il motore gira in maniera irregolare.	Il cavo di accensione non è collegato correttamente.	Collegare il cavo di accensione alla candela.
	È presente sporcizia nella tubazione del carburante o il carburante è scaduto.	Pulire il tubo del carburante. Riempire il serbatoio del carburante con carburante nuovo del tipo corretto.
	È presente carburante nel tappo del serbatoio del carburante.	Pulire il tappo del serbatoio del carburante.
	Presenza di acqua o sporcizia nel sistema di alimentazione.	Svuotare il serbatoio del carburante. Riempire il serbatoio del carburante con carburante nuovo del tipo corretto.
	Il filtro dell'aria è sporco.	Pulire il filtro dell'aria.
	Il carburatore deve essere regolato.	Affidare la regolazione del carburatore all'officina di manutenzione.
Il motore si è surriscaldato.	Il livello dell'olio motore è insufficiente.	Rabboccare l'olio motore.
	Il flusso d'aria non è sufficiente.	Pulire il filtro dell'aria e il relativo alloggiamento.
	Il carburatore deve essere regolato.	Affidare la regolazione del carburatore all'officina di manutenzione.
Si verifica un'accensione irregolare nel motore quando gira ad alta velocità.	La distanza tra gli elettrodi nella candela è troppo piccola.	Regolare la distanza tra gli elettrodi.

Problema	Possibile causa	Soluzione
Rumori insoliti provenienti dal motore durante il carico normale.	Tipo di benzina non corretto.	Svuotare il serbatoio del carburante e il carburatore. Rifornire con benzina nuova. Fare riferimento a <i>Per controllare il sistema di alimentazione alla pagina 202</i> . Se il problema persiste, rivolgersi al rivenditore di zona.
Il motore non gira regolarmente al regime minimo.	La candela è sporca, danneggiata o la distanza tra gli elettrodi è eccessiva.	Regolare la distanza tra gli elettrodi o sostituire la candela.
	Il carburatore deve essere regolato.	Regolare il carburatore.
	Il filtro dell'aria è sporco.	Pulire il filtro dell'aria.

Trasporto, stoccaggio e smaltimento

Trasporto e conservazione

- Per trasportare e conservare il prodotto e il carburante, accertarsi che non vi siano perdite o fumi. Scintille o fiamme aperte, provocate ad esempio da dispositivi elettrici o caldaie, possono innescare un incendio.
- Utilizzare sempre contenitori approvati per la conservazione e il trasporto del carburante.
- Svuotare il serbatoio del carburante prima di riporre il prodotto per un lungo periodo di tempo. Smaltire il carburante presso un apposito centro di smaltimento
- Fissare in sicurezza il prodotto durante il trasporto per evitare danni o incidenti.
- Conservare il prodotto in un'area chiusa a chiave per impedire l'accesso a bambini o persone non autorizzate.
- Conservare il prodotto in un luogo asciutto e al riparo dal gelo.

Disposizione del prodotto in posizione di trasporto

1. Rilasciare le manopole dell'impugnatura. (Fig. 43)
2. Piegare l'impugnatura in avanti fino a quando non si trova nella posizione finale. (Fig. 44)

Trasporto e stoccaggio della batteria e del caricabatteria

- Non rimuovere la batteria finché il prodotto non è fermo e non è freddo. Per rimuovere la batteria, tenere premuto il pulsante sulla parte superiore della batteria e rimuoverla dal relativo alloggiamento.

- Se il periodo di stoccaggio è superiore a 30 giorni, caricare la batteria finché non ha più di 3 spie verdi.
- Caricare la batteria una volta ogni 3 mesi per evitare di danneggiarla.
- La batteria e il caricabatteria devono essere conservati a temperature comprese tra 5 °C e 40 °C. Temperature più elevate o fonti di alta temperatura, come un incendio, possono danneggiare la batteria.
- Non smontare la batteria.
- Non immergere completamente la batteria in acqua. Mantenere la batteria in un luogo fresco e asciutto provvisto di una buona circolazione dell'aria.
- Se la batteria emana odore, è calda o se il calore causa deformazioni durante il funzionamento, lo stoccaggio o la ricarica, rimuovere la batteria e non utilizzarla.
- Assicurarsi che la batteria o il caricabatteria siano collegati durante il trasporto per evitare danni.
- Assicurarsi che il caricabatteria non si surriscalda troppo.

Smaltimento

- Rispettare le norme locali sul riciclaggio e le normative vigenti.
- Smaltire tutte le sostanze chimiche, quali olio motore o soluzione antigelo, presso un centro assistenza o un centro di smaltimento applicabili.
- Quando il prodotto non è più in uso, inviarlo a un rivenditore Husqvarna o smaltirlo presso un impianto di riciclo.
- Smaltire la batteria presso un'officina o un centro specializzato nello smaltimento delle batterie usate.

Dati tecnici

Dati tecnici

	LB 144	LB 244E
Motore		
Marchio	Husqvarna	Husqvarna
Modello	HS 123A	HS 139AE
Tipo di motore	Cilindro singolo, 4 tempi, raffreddamento ad aria forzata, OHV	Cilindro singolo, 4 tempi, raffreddamento ad aria forzata, OHV
Cilindrata, cm ³	123	139
Regime motore – Nominale, giri/min	3000/min	2900/min
Potenza nominale motore, kW ⁸⁷	1,95	2,2
Impianto di accensione		
Candela	Husqvarna HQT-7	Husqvarna HQT-7
Distanza tra gli elettrodi, mm	0,7-0,8	0,7-0,8
Carburante e sistema di lubrificazione		
Tipo lubrificante del motore	Lubrificazione per sbattimento	Lubrificazione per sbattimento
Capacità serbatoio carburante, L	0,9	0,9
Capacità del serbatoio dell'olio, L	0,5	0,5
Olio motore ⁸⁸	Husqvarna SAE 30, Husqvarna SAE 5W-30 Sintetico, Husqvarna SAE 10W-40	Husqvarna SAE 30, Husqvarna SAE 5W-30 Sintetico, Husqvarna SAE 10W-40
Peso		
Con serbatoi vuoti, kg	22	23,5
Emissioni di rumore ⁸⁹		
Livello di potenza acustica, misurato dB(A)	91	92
Livello acustico, garantito L _{WA} dB(A)	94	94

⁸⁷ La potenza nominale del motore indicata corrisponde alla potenza netta media (al rapporto giri/min specificato) di un tipico motore in fase di produzione per il modello di motore misurato dalla normativa SAE J1349/ISO1585. I motori per produzione di massa potrebbero presentare un valore diverso da questo. La potenza effettiva del motore installato nel prodotto finale dipende dalla velocità di funzionamento, dalle condizioni ambientali e da altri valori.

⁸⁸ Utilizzare olio motore di qualità API SJ o superiore. Se l'olio SAE-30 viene utilizzato a temperature inferiori a +5 °C, vi è il rischio che non lubrifici sufficientemente il motore. Ciò può causare danni al motore. Fare riferimento a *Cambio dell'olio motore alla pagina 200* per informazioni sull'olio corretto da utilizzare in presenza di basse temperature. Fare riferimento alla tabella delle viscosità riportata nel manuale del motore (laddove incluso) e selezionare la migliore viscosità in base alla temperatura esterna prevista.

⁸⁹ Emissioni di rumore nell'ambiente misurate come potenza sonora (L_{WA}) in base alla direttiva CE 2000/14/CE.

	LB 144	LB 244E
Livelli di rumorosità ⁹⁰		
Livello di pressione acustica all'orecchio dell'operatore, dB(A)	79	80
Livelli di vibrazioni ⁹¹		
Vibrazioni maniglia superiore, m/s ²	7,6	6,0
Attrezzatura di taglio		
Altezza di taglio, mm	25-75	25-75
Larghezza di taglio, mm	440	440
Sistema di taglio	Bioclip®	Bioclip®
Lama - >Standard	Pacciamatura 5464584-10	Pacciamatura 5464584-10
Sistema di avviamento		
Dispositivo di avviamento elettrico	No	Sì
Batteria	-	Ioni di litio, 10,8V, 21,6Wh

⁹⁰ I dati riportati per il livello di pressione acustica hanno una dispersione statistica tipica (deviazione standard) di 1,2 dB(A).

⁹¹ I dati riportati per il livello di vibrazioni presentano una dispersione statistica tipica (deviazione standard) di 0,2 m/s².

Dichiarazione di conformità

Dichiarazione di conformità UE

Husqvarna AB, SE-561 82 Huskvarna, Svezia, tel.:
+46-36-146500, dichiara sotto la propria esclusiva
responsabilità che il prodotto indicato:

Descrizione	Tagliaerba
Marchio	Husqvarna
Tipo / Modello	LB 144, LB 244E
Identificazione	Numeri di serie a partire da 2023 e successivi

È pienamente conforme alle seguenti norme e direttive
UE:

Regolamento	Descrizione
2006/42/CE	"sulle macchine"
2014/30/UE	"sulla compatibilità elettromagnetica"
2000/14/CE	"sull'emissione di rumore nell'ambiente"
2011/65/UE	"sulle restrizioni dell'uso di determinate sostanze pericolose nelle apparecchiature elettriche ed elettroniche"

e che sono applicati gli standard e/o le specifiche tecniche seguenti: EN ISO 5395-1:2013+A1:2018, EN ISO 5395-2:2013+A1:2016+A2:2017, EN IEC 63000:2018, EN ISO 14982:2009

Organo competente: 0404, SMP Svensk Maskinprovning AB, Box 4053, SE-904 03 Umeå, Sweden ha certificato la conformità alla Direttiva del Consiglio 2000/14/CE, procedura di valutazione della conformità: Allegato VI

Per informazioni sulle emissioni acustiche, fare riferimento a *Dati tecnici alla pagina 205*.

Huskvarna, 2023-09-18



Claes Lossdal, Responsabile sviluppo/Prodotti da giardino, Husqvarna AB

Responsabile della documentazione tecnica



TURINYS

Išvadas.....	208	Variklio triukščių šalinimas.....	218
Sauga.....	209	Transportavimas, saugojimas ir utilizavimas.....	219
Surinkimas.....	212	Techniniai duomenys.....	219
Naudojimas.....	212	Atitikties deklaracija.....	222
Techninė priežiūra.....	214		

Išvadas

Gaminio aprašas

Šis gaminys yra savaeigė sukamoji vejapjovė, kuri naudojama BioClip smulkina žolę ir paverčia ją trąša.

Gaminio apžvalga

(Pav. 1)

1. Variklio stabdymo rankena
2. Rankena
3. Starterio virvės rankena (LB 144)
4. Pjovimo aukščio reguliavimo svirtis
5. Alyvos bakelio dangtelis ir alyvos lygio matuoklis
6. Duslintuvas
7. Degimo žvakė
8. Kėlimo rankena
9. Valdymo rankenos aukščio reguliavimo rankenėlė
10. Degalų bakelio dangtelis
11. Oro filtras
12. Pjovimo gaubtas
13. Peilis
14. Spyruoklės poveržlė
15. Disko varžtas
16. Akumulatorius, saugos įrenginys LB 244E
17. Elektrinio starterio mygtukas (LB 244E)
18. Naudojimo instrukcija

Simboliai ant gaminio

- (Pav. 2) [SPĖJIMAS! Būkite atsargūs ir tinkamai naudokite gaminį. Šis gaminys gali rimtai sužeisti arba prazūdyti operatorių arba aplinkinius.
- (Pav. 3) Prieš naudodami, atidžiai perskaitykite naudojimo instrukciją ir įsitikinkite, kad viską gerai supratote.
- (Pav. 4) Saugokitės išmetamų ir rikošetu atšokusių daiktų.
- (Pav. 5) Asmenims ir gyvūnams būtina laikytis saugaus atstumo nuo darbo zonos.

Numatytasis naudojimas

Gaminį naudokite žolei pjauti. Nenaudokite gaminio kitiems darbams.

- (Pav. 6) Įspėjimas. Saugokite rankas bei kojas ir neikiškite jų prie besisukančio peilio.
- (Pav. 7) Įspėjimas. Saugokite rankas bei kojas ir neikiškite jų prie besisukančių dalių.
- (Pav. 8) Prieš taisydami ar prižiūrėdami sustabdykite variklį ir atjunkite uždegimo kabelį.
- (Pav. 9) Šis įrenginys atitinka jam taikomas EB direktyvas.
- (Pav. 10) Triukšmo emisijos į aplinką ženklimas atitinka ES ir Jungtinės Karalystės direktyvas bei reglamentus ir Naujojo Pietų Velso įstatymą „2017 m. aplinkos apsaugos (triukšmo kontrolės) reglamentas“. Gaminio garantuotas garso galios lygis nurodytas *Techniniai duomenys psl. 219* ir etiketėje.
- (Pav. 11) Šis gaminys atitinka taikytinų JK reglamentų nuostatas.
- (Pav. 12) Gaisro pavojus.
- (Pav. 13) Neįkvėpkite išmetamųjų dujų. Variklio išmetamosiose dujose yra anglies monoksido – nuodingų, bekvapių ir labai pavojingų dujų. Nepaleiskite variklio patalpose ar uždarose erdvėse.
- (Pav. 14) Įkaitęs paviršius.
- (Pav. 16) Pripilkite į variklį alyvos prieš paleisdami gaminį.

(Pav. 17) LB 144 paleidimo procedūra:
Variklio stabdymo rankeną pa-
stumkite žemyn, tada patrau-
kite starterio virvės rankeną.

(Pav. 18) LB 244E paleidimo procedūra:
Variklio stabdymo rankeną pa-
stumkite žemyn ir paspauskite
užvedimo mygtuką.

(Pav. 15) Nuskaitomas kodas.

Pasižymėkite: Kiti ant gaminio pateikti simboliai (lipdukai) nurodo kitų komercinių teritorijų sertifikavimo reikalavimus.

Produkto pažeidimai

Mes neatsakome už mūsų gaminio sugadinimą, jei:

- gaminys netinkamai suremontuotas;
- gaminys suremontuotas naudojant kito gamintojo arba gamintojo nepatvirtintas dalis;
- gaminys turi kito gamintojo arba gamintojo nepatvirtintą priedą;
- gaminys suremontuotas ne patvirtintame techninės priežiūros centre arba jį suremontavo ne patvirtintas atstovas.

„Euro V“ standartas



PERSPĖJIMAS: Variklio modifikavimas panaikina šio produkto ES tipo patvirtinimą.

Sauga

Saugos ženklų reikšmės

[spėjimai, perspėjimai ir pastabos yra skirtos atkreipti dėmesį į ypač svarbias vadovo dalis.



PERSPĖJIMAS: Naudojamas, kai naudotoji ar šalia esantiems asmenims kyla mirtino arba sunkaus sužeidimo pavojus arba, jei nesilaikoma vadove pateiktų nurodymų.



PASTABA: Naudojamas, kai kyla pavojus sugadinti gaminį, kitas medžiagas arba padaryti žalą aplinkai, jei nesilaikoma vadove pateiktų nurodymų.

Pasižymėkite: Naudojamas papildomai informacijai apie konkrečią situaciją pateikti.

Bendrieji saugos nurodymai



PERSPĖJIMAS: Prieš naudodami gaminį, perskaitykite toliau esančius įspėjimus.

- Netinkamai arba neatidžiai naudojant šis gaminys yra pavojingas. Jei nesilaikysite saugos nurodymų, kyla sužeidimų arba mirties pavojus.
- Šis gaminys veikdamas sukuria elektromagnetinį lauką. Tam tikromis aplinkybėmis šis laukas gali trikdyti aktyviųjų arba pasyviųjų medicininių implantų veiklą. Kad sumažėtų sunkių ar mirtinų sužeidimų pavojus, medicininių implantų turintiems asmenims

rekomenduojame prieš naudojant šį gaminį pasitarti su gydytoju ir implanto gamintoju.

- Visada elkitės atsargiai ir vadovaukitės sveiku protu. Jei tiksliai nežinote, kaip naudoti gaminį konkrečioje situacijoje, sustabdykite darbą ir prieš tęsdami darbą pasitarkite su „Husqvarna“ pardavimo atstovu.
- Atsiminkite, kad už nelaimingus atitikimus, kurių metu nukentęs asmenys ar turtas, bus atsakingas naudotojas.
- Rūpinkitės gaminio švara. Įsitinkite, kad galite aiškiai perskaityti ženklus ir lipdukus.
- Neleiskite kitiems naudotis gaminiu, jei neįsitikinote, kad jie perskaitė ir suprato naudojimo instrukcijos turinį.
- Neleiskite gaminio naudoti vaikams.
- Pasirūpinkite, kad vaikai būtų toliau nuo darbo zonos. Būtina nuolatinė atsakingo suaugusiojo priežiūra.
- Neleiskite gaminio naudoti su instrukcijomis nesusipažinusiems asmenims.
- Visada prižiūrėkite gaminį naudojančių fizinę arba protinę negalią turintį asmenį. Būtina nuolatinė atsakingo suaugusiojo priežiūra.
- Nedirbkite su gaminiu, jeigu esate pavargę, sergate arba esate apsvaigę alkoholio, narkotinių medžiagų ar vaistų. Tai neigiamai veikia jūsų regėjimą, nuovoką ar koordinaciją.
- Nenaudokite gaminio, jei jis yra pažeistas arba tinkamai neveikia.
- Nekeiskite gaminio ir nenaudokite jo, jei jį galėję pakeisti kiti.
- Nekeiskite variklio greičio valdymo reguliavimo.

Sauga darbo vietoje



PERSPĒJIMAS: Prieš naudodami gaminį, perskaitykite toliau esančius įspėjimus.

- Prieš naudodami gaminį nuo darbo zonos pašalinkite tokius objektus, kaip šakos, šakelės ir akmenys.
- Atsitrenkę į pjovimo įrangą objektai gali atšokti ir sužeisti asmenis bei sugadinti daiktus. Šalia esantiems asmenims ir gyvūnams būtina laikytis saugaus atstumo nuo gaminio.
- Gaminio niekuomet nenaudokite blogu oru, pvz., kai pakyla rūkas, lyja, pučia stiprus vėjas, stipriai šąla ir gali žaibuoti. Darbas gaminiu blogu oru arba drėgnose ar šlapiose vietose yra varginantis. Blogu oru gali susidaryti pavojingos sąlygos, pvz., slidūs paviršiai.
- Saugokitės asmenų, daiktų ir tam tikrų situacijų kurios gali neleisti saugiai naudoti gaminio.
- Saugokitės kliūčių, pvz., šaknų, akmenų, šakelių, duobių ir griovių. Aukštoje žolėje kliūtys gali būti nematomos.
- Gali būti pavojinga pjauti žolę įkalnėse. Nenaudokite gaminio, jei šlaitas yra statenes nei 15°.
- Šlaitus pjaukite skersai. Nevažiuokite į viršų ir žemyn.
- Būkite atsargūs artėdami prie nematomų kampų ir daiktų, kurie užstoja vaizdą.

Darbo sauga



PERSPĒJIMAS: Prieš naudodami gaminį, perskaitykite toliau esančius įspėjimus.

- Gaminį naudokite tik vejų žolei pjauti. Neleidžiama jo naudoti kitoms užduotims atlikti.
- Naudokite asmenines apsaugines priemones. Žr. *Asmeninės apsauginės priemonės psl. 210.*
- Įsitikinkite, kad žinote, kaip greitai sustabdyti variklį nelaimės atveju.
- Niekada neužveskite variklio uždaroje erdvėje ar netoli degių medžiagų. Variklio išmetamosios dujos yra karštos, jose gali būti kibirkščių, kurios gali sukelti gaisrą.
- Nenaudokite gaminio tinkamai neuždengę peilio ir neuždėję kitų dangčių. Netinkamai uždėtas peilis gali atsilaisvinti ir sužeisti.
- Užtikrinkite, kad peilis neatsitrenktų į tokius objektus, kaip akmenys ir šaknys. Tai gali sugadinti peilį ir sulenkti variklio veleną. Sulenkta ašis sukelia didelę vibraciją ir kyla didžiulis pavojus, kad peilis atsilaisvins.
- Jei į peilį atsitrenkia objektas arba susidaro vibracijos, nedelsdami sustabdykite gaminį. Atjunkite uždegimo kabelį nuo uždegimo žvakės. Patikrinkite, ar gaminys neapgadintas. Pataisykite sugadintas

dalį arba remonto darbus perleiskite igaliojamam techninės priežiūros atstovui.

- Niekada neprijunkite variklio stabdžio rankenos prie rankenos visam laikui, kai variklis veikia.
- Padėkite gaminį ant stabilaus, plokščio paviršiaus ir paleiskite jį. Patikrinkite, ar peilis noliečia žemės ar kokių kitų daiktų.
- Visada būkite už gaminio, kai jį naudojate.
- Prižiūrėkite, kad visi ratukai būtų ant žemės ir abi rankas laikykite ant rankenos, kai naudojate gaminį. Saugokite rankas bei kojas ir neikiškite jų prie besisukančių peilių.
- Dirbant varikliui nepakreipkite gaminio.
- Būkite atsargūs, kai gaminį traukiate atgal.
- Dirbant varikliui nepakelkite gaminio. Jei gaminį turite pakelti, pirmiausia sustabdykite variklį ir atjunkite uždegimo kabelį nuo uždegimo žvakės.
- Naudodami gaminį neikite atgal.
- Veždami įrenginį per zonas be žolės, pvz., žvirgždo, akmenų ir asfalto takelius, sustabdykite variklį.
- Dirbant varikliui nebėkite su gaminiu. Naudodami gaminį visada eikite.
- Prieš pakeisdami pjovimo aukštį pirmiausia išjunkite variklį. Draudžiama reguliuoti, kai veikia variklis.
- Niekada nepaleiskite gaminio iš akių, kai veikia variklis. Išjunkite variklį ir įsitikinkite, kad pjovimo įranga nesisuka.

Naudojimo saugos instrukcijos

Asmeninės apsauginės priemonės



PERSPĒJIMAS: Prieš naudodami gaminį, perskaitykite toliau esančius įspėjimus.

- Asmeninės apsauginės priemonės nepadės visiškai išvengti pavojaus susižeisti, tačiau nelaimingo atsitikimo atveju mažiau nukentėsite. Leiskite prekybos atstovui padėti pasirinkti tinkamą įrangą.
- Jei triukšmo lygis viršija 85 dB, naudokite klausos apsaugą
- Avėkite patvarius, neslystančius batus. Neavėkite atvirų batų ir nebūkite basi.
- Dėvėkite storas, ilgas kelnes.
- Kai būtina, pvz., montuojant, apžiūrint arba valant pjovimo įrangą, užsimaukite apsaugines pirštines.

Gaminio apsauginės priemonės



PERSPĒJIMAS: Prieš naudodami gaminį, perskaitykite toliau esančius įspėjimus.

- Nenaudokite gaminio su saugos įtaisais, kurie yra pažeisti arba tinkamai neveikia.
- Reguliariai tikrinkite apsaugines priemones. Jei saugos įtaisai pažeisti arba tinkamai neveikia,

kreipkitės į Husqvarna techninės priežiūros specialistą.

- Neatlikite saugos įtaisų pakeitimų.

Atlikite pjovimo gaubto patikrą.

Pjovimo gaubtas sumažina gaminio vibracijas ir sumažina disko keliamą sužeidimų pavojų.

- Apžiūrėkite pjovimo gaubtą, kad įsitikintumėte, jog nėra pažeidimų, pvz., įtrūkių.

Akumuliatorius (LB 244E)



PERSPĖJIMAS: Naudojant pažeistą akumuliatorių sumažėja produkto sauga. Visada naudokite tik gamintojo patvirtintą akumuliatorių.

Akumuliatorius tiekia energiją elektriniam starteriui ir yra saugos įrenginys, užtikrinantis apsaugą nuo netyčinio užvedimo. Jeigu nenaudojate produkto ir ilgesniam laikui palikdami jį nuošaliau išimkite akumuliatorių.

Norėdami patikrinti variklio stabdžio rankeną

Variklio stabdžio rankena sustabdo variklį. Atleidus variklio stabdžio rankeną variklis sustoja.

- Paleiskite variklį, o tada atleiskite variklio stabdymo rankeną. Jei variklis nesustoja per 3 sekundes, paprašykite, kad įgaliotasis „Husqvarna“ techninės priežiūros atstovas sureguliuotų variklio rankeną. (Pav. 19)

Duslintuvas

Duslintuvas iki minimumo sumažina triukšmo lygį ir nukreipia nuo naudotojo variklio išmetamąsias dujas.

Nenaudokite gaminio, jei duslintuvo nėra arba jei jis yra pažeistas. Pažeistas duslintuvas skleidžia daugiau triukšmo ir kelia didesnį gaisro pavojų.



PERSPĖJIMAS: Darbo metu ir tada, kai variklis veikia tuščiaja eiga, duslintuvas labai įkaista ir kurį laiką išlieka karštas. Elkitės atsargiai su degiomis medžiagomis ir (arba) garais, kad išvengtumėte gaisro.

Duslintuvo patikra

- Norėdami įsitikinti, kad duslintuvas yra tinkamai pritvirtintas ir nėra pažeistas, jį tikrinkite reguliariai.

Degalų naudojimo sauga



PERSPĖJIMAS: Prieš naudodami gaminį, perskaitykite toliau esančius įspėjimus.

- Nepaleiskite gaminio, jei ant gaminio yra degalų arba variklio alyvos. Nuvalkykite nepageidaujamą kurą / alyvą ir palaukite, kol gaminys išdžius.
- Jei degalais apspilytė drabužius, nedelsdami persirenkite.
- Neapsipilkite kūno kuru, nes jis gali sužaloti. Apsipylę kūną kuru, jį nusiplaukite muilu ir vandeniui.
- Neužveskite gaminio, jei iš variklio sunkiasi skysčiai. Reguliariai tikrinkite, ar iš variklio nesisunkia skysčiai.
- Su degalais elkitės atsargiai. Kuras yra degus, o jo garai – sprogūs, todėl neatsargiai elgiantis galima susižaloti arba žūti.
- Neįkvėpkite kuro garų, nes jie gali sužaloti. Pasiūpinkite tinkamu vėdinimu.
- Nerūkykite greta degalų arba variklio.
- Nedėkite šiltų objektų greta kuro arba variklio.
- Nepilkite kuro, kai variklis užvestas.
- Prieš pildami kurą įsitikinkite, ar variklis ataušęs.
- Prieš pildami degalus, lėtai atidarykite degalų bako dangtelį ir atsargiai išleiskite slėgį.
- Nepilkite į variklį kuro būdami patalpoje. Dėl nepakankamos ventiliacijos galima susižaloti arba žūti uždusęs arba apsinuodijęs anglies monoksidu.
- Gera uždarykite degalų bakelio dangtelį. Nepakankamai stipriai užsukus degalų bakelį kyla gaisro pavojus.
- Prieš pradėdami darbą patraukite gaminį mažiausiai 3 m (10 pėdų) nuo vietos, kurioje pylėte degalus.
- Nepripilkite sklidino degalų bako. Šildami degalai plečiasi. Palikite vietos degalų bako viršuje.
- Niekada nelaikykite įrenginio, kai degalų bako yra degalų, pastate, kuriame yra užsidegimo šaltinių, pavyzdžiui, vandens ir pastatų šildytuvų arba drabužių džiovintuvų. Prieš palikdami prietaisą bet kokiaje patalpoje leiskite varikliui atvėsti.

Priežiūros saugos instrukcijos



PERSPĖJIMAS: Prieš naudodami gaminį, perskaitykite toliau esančius įspėjimus.

- Variklio išmetamosiose dujose yra anglies monoksido – nuodingų, bekvapių ir labai pavojingų dujų. Nepaleiskite variklio patalpose ar uždarose erdvėse.
- Prieš atlikdami techninę gaminio priežiūrą, sustabdykite variklį ir atjunkite uždegimo kabelį nuo uždegimo žvakės. Jei naudojate LB 244E, išimkite akumuliatorių.
- Pjovimo įrangos techninės priežiūros darbus atlikite apsimovę apsaugines pirštines. Peilis labai aštrus ir gali lengvai įpjauti.
- Gamintojo nepatvirtinti priedai ir gaminio pakeitimai gali rimtai ar net mirtinai sužeisti. Nekeiskite gaminio. Visada naudokite tik gamintojo patvirtintus priedus.

- Jei techninė priežiūra atliekama netinkamai ir nereguliariai, padidėja sužeidimų ir žalos gaminiui pavojus.
- Atlikite tik savininko vadove nurodytus techninės priežiūros darbus. Visus kitus techninės priežiūros darbus turi atlikti patvirtintas „Husqvarna“ techninės priežiūros atstovas.

- Patvirtintas „Husqvarna“ techninės priežiūros atstovas turi reguliariai atlikti gaminio techninę priežiūrą.
- Pakeiskite pažeistas, sulūžusias arba susidėvėjusias dalis.

Surinkimas

Įvadas



PERSPĖJIMAS: Prieš surinkdami įrenginį perskaitykite ir supraskite saugos skyriaus informaciją.



PERSPĖJIMAS: Prieš surinkdami gaminį nuo uždegimo žvakės nuimkite dangtelį.

Rankenos surinkimas

1. Patraukite rankeną atgal, kol ji pasieks galinę padėtį. (Pav. 20)

2. Priveržkite rankenėles. (Pav. 21)

Rankenos aukščio reguliavimas

1. Įsitikinkite, kad aukščio reguliavimo rankenėlė yra griovelyje. Koja nuspauskite aukščio reguliavimo rankenėlę, jei aukščio reguliavimo rankenėlė nėra griovelyje. (Pav. 22)
2. Koja spauskite aukščio reguliavimo rankenėlę.
3. Nustatykite valdymo rankeną į tinkamą padėtį ir paleiskite valdymo rankeną. (Pav. 23)

Naudojimas

Įvadas



PERSPĖJIMAS: Prieš naudodami gaminį perskaitykite ir supraskite saugos skyriaus informaciją.

Husqvarna Connect

Husqvarna Connect yra nemokama programėlė, skirta mobiliesiems įrenginiams. Programėlė Husqvarna Connect suteikia Husqvarna gaminiui papildomas funkcijas:

- Papildoma informacija apie gaminį.
- Informacija ir patarimai apie gaminio dalis ir priežiūrą.

Norėdami pradėti naudoti Husqvarna Connect

1. Atsisiųskite „Husqvarna Connect“ programėlę į mobilųjį įrenginį.
2. Užsiregistruokite „Husqvarna Connect“ programėlėje.
3. Norėdami prisijungti ir užregistruoti gaminį, vykdykite „Husqvarna Connect“ programėlėje pateiktas instrukcijas.

Veiksmai prieš naudojant įrenginį

1. Atidžiai perskaitykite naudojimo instrukciją ir įsitikinkite, kad viską gerai supratote.

2. Apžiūrėkite pjovimo įrangą ir įsitikinkite, kad ji tinkamai prijungta ir sureguliuota. Žr. *Pjovimo įrangos patikrinimas psl. 215*.
3. Patikrinkite alyvos lygį ir, jei reikia, papildykite variklio alyva. Žr. *Alyvos lygio tikrinimas psl. 215*.
4. Užpildykite degalų bakelį. Žr. *Degalų pripylimas psl. 212*.

Degalų pripylimas

Jei įmanoma, naudokite mažo taršos laipsnio / alkilato benzino. Jei mažo taršos laipsnio / alkilato benzino naudoti negalite, naudokite geros kokybės bešvinį benzino arba benzino su švinu, kurio oktaninis skaičius yra ne mažesnis nei 91.



PASTABA: Nenaudokite benzino, kurio oktaninis skaičius yra mažesnis nei 91. Antraip galima sugadinti gaminį.



PASTABA: Degalų filtrą keiskite kartą per metus arba dažniau, jei reikia. Naują degalų filtrą galite įsigyti iš Husqvarna pardavimo atstovo.



PASTABA: Prieš pildami degalus visada išjunkite variklį.



PASTABA: Nenaudokite slėginių užvedimo skysčių.

1. Lėtai atsukite degalų bakelio dangtelį, kad sumažintumėte slėgį.
2. Lėtai pripilkite degalų iš kanistro. Jei išliejate degalus, nuvalykite juos audiniu ir palaukite, kol likę degalai išdžiūs. (Pav. 24)
3. Nuvalykite sritį aplink degalų bakelio dangtelį.
4. Gerai uždarykite degalų bakelio dangtelį. Nepakankamai stipriai užsukus degalų bakelį kyla gaisro pavojus.
5. Prieš pradėdami darbą patraukite gaminį mažiausiai 3 m (10 pėdų) nuo vietos, kurioje pylėte degalus.

Gaminio paruošimas naudoti

1. Rankenos montavimas. Žr. *Rankenos surinkimas psl. 212*.
2. Sureguliuokite rankenos aukštį. Žr. *Rankenos aukščio reguliavimas psl. 212*.



PASTABA: Įsitinkinkite, kad laidai nėra per stipriai įtempti. Per stipriai įtempus, galima pažeisti laidą rankeną nulenkus į transportavimo padėtį.



PERSPĖJIMAS: Nenaudokite gaminio, kol rankena nebus iki galo užlenkta aukštyn ir nustatyta į vieną iš taikomų aukščio padėčių. Žr. *Rankenos aukščio reguliavimas psl. 212*.

Pjovimo aukščio nustatymas

Pjovimo aukštį galima nustatyti į 6 skirtingas padėtis.

1. Sustabdykite variklį.
2. Kad padidintumėte pjovimo aukštį, pjovimo aukščio svirtį palenkite atgal. (Pav. 25)
3. Kad sumažintumėte pjovimo aukštį, pjovimo aukščio svirtį palenkite į priekį.



PASTABA: Nenustatykite per žemo pjovimo aukščio. Peiliai gali užkliudyti žemę, jei vejos paviršius nelygus.

Gaminio paleidimas

- Įsitinkinkite, kada uždegimo kabelis prijungtas prie uždegimo žvakės.

Paleidimas rankiniu būdu (LB 144)

1. Stovėkite už gaminio.

2. Laikykite variklio stabdymo rankeną prispaudę prie viršutinės rankenos. (Pav. 26)
3. Dešine ranka laikykite starterio lynelį.
4. Lėtai patraukite starterio lynelį, kol pajusite pasipriešinimą.
5. Tada stipriai patraukite, kad paleistumėte variklį.



PERSPĖJIMAS: Nevyniokite starterio virvės sau ant rankos.

Elektrinis užvedimas (LB 244E)

1. Patikrinkite, ar akumulatorius įkrautas. Žr. *Akumulatoriaus priežiūra (LB 244E) psl. 216*.
2. Prijunkite akumuliatorių prie variklio. Akumulatorius bus užfiksuotas tada, kai išgirsite spragtelėjimą. (Pav. 27)
3. Stovėdami už gaminio laikykite variklio stabdžio rankeną (A) prie viršutinės rankenos. (Pav. 28)
4. Paspauskite ir 3–5 sekundes palaikykite elektrinio starterio mygtuką (B). Variklis paleidžiamas.

Pasižymėkite: Jei variklis neužsiveda, palaukite 1 minutę ir bandykite vėl užvesti.

Įrenginio sustabdymas

- Norėdami išjungti variklį, atleiskite variklio stabdymo rankeną.

Norėdami išimti akumuliatorių (LB 244E)

Kai gaminys nenaudojamas, išimkite akumuliatorių, kad išvengtumėte netyčinio variklio paleidimo.

- Paspauskite fiksavimo mygtuką (A) ir išimkite akumuliatorių. (Pav. 29)

Gerų rezultatų gavimas

- Visada naudokite pagalastą peilį. Atšipęs peilis netaisyklingai nupjauna ir žolės paviršius pagelsta. Be to, aštrus peilis naudoja mažiau energijos nei atšipęs.
- Nepjaukite daugiau nei 1/3 žolės ilgio. Pirmiausia nupjaukite nustatę didelį aukštį. Patikrinkite rezultatą ir sumažinkite pjovimo aukštį iki tinkamo lygio. Jeigu žolė tikrai aukšta, judėkite lėtai ir, jei reikia, pjaukite 2 kartus.
- Kiekvieną kartą pjaukite skirtingomis kryptimis, kad vejoje nesusidarytų dryžiai.
- Pjovimo dangtis turi būti visuomet švarus. Prikibusi žolė ir purvas vidinėje pjovimo dangčio dalyje gali turėti įtakos pjovimo rezultatams. Žr. *Pjovimo įrangos gaubto vidinio paviršiaus valymas psl. 215*.

Techninė priežiūra

Įvadas

žemės, kai keliate gaminį. Pavojus sugadinti variklį.



PERSPĖJIMAS: Prieš atlikdami priežiūros darbus perskaitykite ir supraskite saugos skyriaus informaciją.

Visiems gaminio techninės priežiūros ir remonto darbams reikia specialių apmokymų. Garantuojame profesionalaus remonto ir techninės priežiūros darbų pasiekiamumą. Jei jūsų pardavėjas nėra techninės priežiūros atstovas, paprašykite jo informacijos apie artimiausią techninės priežiūros atstovą.

Išsamesnės informacijos žr. www.husqvarna.com.

Techninės priežiūros grafikas



PASTABA: Įsitinkinkite, kad oro filtras yra tinkamai įdėtas ir nesiglaudžia prie



PASTABA: Jei naudojate modelius su elektriniu starteriu, išimkite akumuliatorių prieš atlikdami priežiūros arba remonto darbus ar valydami produktą.

Techninės priežiūros intervalai apskaičiuojami pagal kasdienį gaminio naudojimą. Intervalai keičiasi, jei gaminys nenaudojamas kasdien.

Techninės priežiūros informacijos, pažymėtos *, ieškokite instrukcijoje *Gaminio apsauginės priemonės psl. 210*.

Techninė priežiūra	Kasdien	Kas mėnesį	Kas sezoną
Atlikti bendrąją apžiūrą	X		
Patikrinti alyvos lygį	X		
Pakeisti alyvą (pirmą kartą po 5 naudojimo valandų, tada kas 50 naudojimo valandų) ⁹²			X
Gaminio valymas	X		
Nuvalykite sritį prie rankenos aukščio reguliavimo rankenėlės	X		
Patikrinti pjovimo įrangą	X		
Patikrinti pjovimo gaubtą *	X		
Patikrinti variklio stabdymo rankeną *	X		
Patikrinti duslintuvą *		X	
Apžiūrėkite uždegimo žvakę. Esant reikalui išvalykite arba pakeiskite uždegimo žvakę			X
Apžiūrėti oro filtrą	X		
Išvalykite oro filtrą ⁹³		X	
Pakeiskite oro filtrą			X
Patikrinti degalų sistemą			X
Išvalyti cilindro aušinimo briaunas		X	

⁹² Jei gaminys naudojamas dideliu pajėgumu arba esant aukštai aplinkos temperatūrai, keiskite variklio alyvą kas 25 valandas.

⁹³ Valykite dažniau, jei gaminys naudojamas aplinkoje, kurioje yra daug dulkių arba oru sklindančių dalelių. Pakeiskite oro filtrą, jei jis smarkiai užterštas.

Bendroji apžiūra

- Įsitinkinkite, kad gaminio veržlės ir varžtai yra tinkamai priveržti.

Gaminio valymas iš išorės

- Lapus, žolę ir purvą nuvalykite šepečiu.
- Apžiūrėkite ar neužsikūšusi oro įsiurbimo anga variklio viršuje.
- Gaminio neplaukite aukšto slėgio plovimo aparatu.
- Jei gaminį valote vandeniu, nepilkite vandens tiesiai ant variklio.

Srities apie rankenos aukščio reguliavimo rankenėlę valymas

- Lapus, žolę ir purvą nuvalykite šepečiu. (Pav. 30)

Pjovimo įrangos gaubto vidinio paviršiaus valymas

- Ištuštinkite degalų bakelį.
- Paverskite gaminį. Įsitinkinkite, kad uždegimo žvakė nukreipta į viršų.



PASTABA: Jei gaminį paversite ant oro filtro, galite sugadinti variklį.

- Vandeniu aplikite vidinį pjovimo įrangos gaubto paviršių.

Pjovimo įrangos patikrinimas



PERSPĖJIMAS: Kad įranga netyčia nepasileistų, ištraukite uždegimo kabelį iš uždegimo žvakės.



PERSPĖJIMAS: Pjovimo įrangos techninės priežiūros darbus atlikite apsimovę apsaugines pirštines. Peilis labai aštrus ir gali lengvai įpjauti.

- Patikrinkite, ar pjovimo įranga nepažeista ir neįskilusi. Visada pakeiskite pažeistą pjovimo įrangą.
- Apžiūrėkite peilį, ar jis nepažeistas ir neatšipęs.

Pasižymėkite: Pagalandus peilį jį reikia subalansuoti. Pagaląsti, pakeisti ir subalansuoti peilį turi techninės priežiūros centro darbuotojai. Jei susidūrėte su kliūtimi, dėl kurios įrenginys sustojo, pakeiskite pažeistą peilį. Leiskite techninės priežiūros centro darbuotojams nuspręsti, ar peilį dar galima galąsti, ar jau reikia keisti.

Disko keitimas

- Užfiksukite peilį medžio bloku. (Pav. 31)

- Išimkite peilio varžtą ir spyruoklinę poveržlę.
- Nuimkite diską.
- Patikrinkite peilio atramą ir peilio tvirtinimo varžtą, ar jie nepažeisti.
- Patikrinkite variklio veleną, kad įsitikintumėte, ar jis nesulenktas.
- Įdėję naują peilį nukreipkite jo kampus pjovimo įrangos gaubto kryptimi. (Pav. 32)
- Įsitinkinkite, kad peilis sulygiuotas su peilio veleno centru.
- Užfiksukite peilį medžio bloku. Uždėkite spyruoklės poveržlę ir pritvirtinkite varžtą ir poveržlę 44-46 Nm sukimo momento jėga. (Pav. 33)
- Ranka pasukite peilį ir patikrinkite, ar jis laisvai sukasi.



PERSPĖJIMAS: Apsimaukite pirštines sunkiam darbui. Peilis labai aštrus ir gali lengvai įpjauti.

- Paleiskite gaminį, kad išbandytumėte peilį. Jei peilis netinkamai uždėtas, gaminys vibruoja arba pjaunama nepakankamai gerai.

Alyvos lygio tikrinimas



PASTABA: Per mažas alyvos kiekis gali sukelti variklio gedimus. Prieš paleisdami gaminį patikrinkite alyvos lygį.

- Pastatykite gaminį ant lygaus paviršiaus.
- Atsukite ir nuimkite alyvos bakelio dangtelį su pritvirtintu alyvos lygio matuokliu.
- Nuvalykite alyvą nuo alyvos lygio matuoklio.
- Iki galo įstumkite alyvos lygio matuoklį į alyvos bakelį.
 - Neuždėkite alyvos bakelio dangtelio LB 144.
 - Uždėkite LB 244E alyvos bakelio dangtelį.
- Nuimkite alyvos bakelio dangtelį ir alyvos lygio matuoklį.
- Patikrinkite alyvos lygį ant matuoklio.
- Jei alyvos lygis žemas, įpilkite variklio alyvos ir vėl patikrinkite alyvos lygį. (Pav. 34)

Pasižymėkite: Naudokite piltuvėlį, kad išvengtumėte taškymosi.

- Užsukite alyvos bakelio dangtelį, jei alyvos lygis yra tinkamas.

Norėdami pakeisti variklio alyvą



PERSPĖJIMAS: Iš karto sustabdžius variklį variklio alyva yra labai karšta. Prieš išleisdami variklio alyvą, leiskite varikliui

atvėsti. Jei užsipsilsite variklio alyvos ant odos, nuplaukite ją muilu ir vandeniu.

(Pav. 35)

1. Eksploatuokite gaminį, kol degalų bakelis ištuštės.
2. Nuimkite uždegimo kabelį nuo uždegimo žvakės.
3. Atsukite ir nuimkite alyvos bakelio dangtelį su pritvirtintu alyvos lygio matuokliu.
4. Po gaminiu padėkite konteinerį, į kurį surinksite variklio alyvą.
5. Pakreipkite gaminį arba išleiskite variklio alyvą iš alyvos bakelio naudodami alyvos siurbį (priedas).
6. Pripilkite naujos variklio alyvos. Rekomenduojamo tipo ieškokite *Techniniai duomenys psl. 219*.
7. Patikrinkite alyvos lygį. Žr. *Alyvos lygio tikrinimas psl. 215*.
8. Užsukite alyvos bakelio dangtelį, jei alyvos lygis yra tinkamas.

Oro filtras

Dėl purvino oro filtro variklis gali būti pažeistas arba veikti netinkamai. Atlikite oro filtro techninę priežiūrą dažniau, jei gamins naudojamas aplinkoje, kurioje daug dulkių. Žr. *Techninės priežiūros grafikas psl. 214* norėdami sužinoti, kada keisti oro filtrą.

Pasižymėkite: Visada pakeiskite pažeistą oro filtrą.

Oro filtro išėmimas ir įdėjimas (LB 244E)



PERSPĖJIMAS: Mūvėkite apsaugines pirštines.

1. Atstumkite spaustukus, esančius ant oro filtro gaubtą.
2. Atsargiai nuimkite oro filtro gaubtą (A) nuo variklio.
3. Išimkite oro filtrą (B). (Pav. 36)
4. Patikrinkite, ar oro filtras nepažeistas. Pažeistą oro filtrą pakeiskite.
5. Išvalykite ir patikrinkite oro filtrą. Žr. *Oro filtro valymas (LB 244E) psl. 216*.
6. Montuokite priešinga eilės tvarka.

Oro filtro valymas (LB 244E)

Dėl purvino oro filtro variklis gali būti pažeistas arba veikti netinkamai. Dulkojeje aplinkoje dažniau atlikite oro filtro priežiūrą.

Žr. *Techninės priežiūros grafikas psl. 214* norėdami sužinoti, kada keisti oro filtrą.

1. Nuimkite oro filtro dangtelį ir išimkite filtrą.

2. Išvalykite filtrą, padaužydami į lygų paviršių. Filtrui valyti nenaudokite tirpikliu su benzinu, žibalo ar suspausto oro.

Pasižymėkite: Ilgą laiką naudotų oro filtrų neįmanoma visiškai išvalyti. Reguliariai pakeiskite oro filtrą. Pažeistus oro filtras visada būtina pakeisti.

3. Montuodami oro filtrą įsitinkinkite, kad jis visiškai prisispaudžia prie filtro laikiklio.

Polistirolo filtro valymas (LB 144)



PASTABA: Neužveskite variklio, kai oro filtrai yra išimti. Nešvarus oras greitina variklio dėvėjimąsi.

1. Nuimkite oro filtro gaubtą (A). (Pav. 37)
2. Išimkite polistirolo filtras (B).



PASTABA: Patikrinkite, ar polistirolo filtrai nėra pažeisti arba nusidėvėję. Pakeiskite visus pažeistus polistirolo filtras.

3. Polistirolo filtras nuvalykite muilu ir vandeniu.
4. Nuplaukite polistirolo filtras švariu vandeniu.
5. Nugręžkite vandenį iš polistirolo filtrų ir palikite juos išdžiūti.



PASTABA: Nenaudokite suspausto oro. Jis gali pažeisti polistirolo filtrą.

6. Sutepkite polistirolo filtras variklio alyva.
7. Nuspauskite polistirolo filtrą švaria šluoste, kad pašalintumėte nepageidaujamus riebalus.
8. Įstatykite polistirolo filtras. Įsitinkinkite, kad polistirolo filtrai visiškai sandarūs oro filtro laikiklyje.
9. Uždėkite oro filtro gaubtą.

Akumulatoriaus priežiūra (LB 244E)

Akumulatoriui techninė priežiūra nereikalinga. Jei būtina, akumulatoriaus techninės priežiūros darbus turi atlikti tik patvirtintas techninės priežiūros centras.

Akumulatoriaus naudojimas pirmą kartą (LB 244E)



PASTABA: Neleiskite, kad akumulatorius išsikrautų. Akumulatoriui išsikrovus, galima jį pažeisti.

Pakraukite akumuliatorių prieš pirmą kartą naudodami.

1. Prijunkite akumulatoriaus įkroviklį prie akumulatoriaus, žr. *Akumulatoriaus įkrovimas (LB 244E) psl. 217*.
2. Palaukite, kol įsijungs bent 1 žalias diodas.

3. Prijunkite akumuliatorių prie variklio, žr. *Elektrinis užvedimas (LB 244E) psl. 213.*

Akumuliatoriaus įkrovimas (LB 244E)

Jeigu įjungtas tik 1 arba nešviečia nė vienas indikatorius, būtina įkrauti akumuliatorių. Iškrautas akumuliatorius visiškai įkraunamas per 2 val. Įkraunant trumpiau nedaroma įtaka akumuliatoriaus eksploatavimo trukmei.

1. Prijunkite akumuliatoriaus įkroviklį prie akumuliatoriaus. (Pav. 38)
2. Įjunkite baterijos įkroviklį į kištukinį lizdą, 100–240 V, 50–60 Hz.
3. Pirmiausia ištraukite įkroviklį iš maitinimo lizdo, tada – iš akumuliatoriaus.

Baterijos įkrovimo būseną

Akumuliatoriaus LED ekranas	Būseną
1 diodas mirksi raudonai.	1–9 %
1 diodas nepertraukiamai šviečia raudonai	10–32 %
1 diodas šviečia žaliai, o 2 diodas – raudonai.	33–54 %
1 ir 2 diodai šviečia žaliai, o 3 diodas – raudonai.	55–77 %
1, 2 ir 3 diodai šviečia žaliai, o 4 diodas – raudonai.	78–100 %

Akumuliatoriaus įkroviklio lemputčių indikatorius	Būseną
Pastovi raudona šviesa	Akumuliatorius įkraunamas.
Pastovi žalia šviesa	Akumuliatorius visiškai įkrautas.

Žvakės patikra



PASTABA: Visada naudokite rekomenduojamo tipo žvakes. Netinkamo tipo uždegimo žvakė gali pažeisti gaminį.

- Patikrinkite uždegimo žvakę, jei variklio galingumas mažas, variklį sunku paleisti arba jis netinkamai veikia tuščiaja eiga.

- Norėdami sumažinti pašalinių medžiagų atsiradimą ant uždegimo žvakės elektrodų, laikykitės šių instrukcijų:
 - a) Įsitinkinkite, kad tinkamai sureguliuotas greitis tuščiaja eiga.
 - b) Įsitinkinkite, kad naudojate tinkamą kuro mišinį.
 - c) Patikrinkite, ar oro filtras švarus.
- Jeigu uždegimo žvakė purvina, nuvalykite ją ir patikrinkite, ar nustatytas tinkamas tarpas tarp esančių elektrodų, žr. *Techniniai duomenys psl. 219.* (Pav. 39)
- Esant reikalui pakeiskite uždegimo žvakę.

Kuro sistemos tikrinimas

- Patikrinkite kuro bakelio dangtelį ir užsandarinkite jį, kad nepažeistumėte.
- Patikrinkite kuro žarnelę ir įsitinkinkite, kad ji neprateka. Jei kuro žarnelė pažeista, paprašykite, kad techninės priežiūros atstovas ją pakeistų.

Išleidimas iš degalų bakelio

1. Pastatykite indą po degalų bakeliu.
2. Nuimkite degalų bakelio dangtelį.
3. Užspauskite žarnų spaustukus ant degalų žarnelės, esančios prieš karbiuratorių.
4. Nuimkite nuo karbiuratoriaus degalų žarnelę.
5. Įdėkite degalų bako žarną į indą ir nuimkite žarnos spaustukus.
6. Pakreipkite gaminį, kad išleistumėte degalus į indą.

Degalų filtro keitimas



PERSPĖJIMAS: Mūvėkite apsaugines pirštines.

1. Išleiskite degalus iš degalų bakelio.
2. Nuimkite žarnos spaustuką nuo degalų bakelio. (Pav. 40)
3. Išimkite degalų žarnelę iš kuro bakelio. Gali išbėgti nedidelis degalų kiekis. (Pav. 41)
4. Išimkite kuro filtrą iš kuro bakelio. (Pav. 42)
5. Kuro bakelyje sumontuokite naują kuro filtrą.
6. Prijunkite degalų žarnelę prie degalų bakelio.
7. Uždėkite žarnos spaustuką prieš degalų baką.

Variklio trikčių šalinimas

Problema	Galima priežastis	Sprendimas
Nepavyksta užvesti variklio.	Uždegimo kabelis prijungtas netinkamai.	Prijunkite uždegimo kabelį prie uždegimo žvakės.
	Degalų bakelis yra tuščias.	Į degalų bakelį pripilkite tinkamų degalų.
	Degalai yra pasenę.	Ištuštinkite degalų bakelį ir karbiuratorių. Įpilkite naujo benzino.
	Užterštas karbiuratorius arba degalų linija.	Išvalykite karbiuratorių ir (arba) degalų liniją.
	Pažeista uždegimo žvakė.	Sureguliuokite tarpą tarp elektrodų, išvalykite arba pakeiskite uždegimo žvakę.
	Ant uždegimo žvakės yra degalų.	Išvalykite žvakę.
Nepavyksta sustabdyti variklio	Sustabdymo mechanizmas neveikia tinkamai.	Atjunkite uždegimo kabelį nuo uždegimo žvakės. Gaminio remontą leiskite atlikti įgaliotam techninės priežiūros atstovui.
Variklis veikia netolygiai.	Uždegimo kabelis prijungtas netinkamai.	Prijunkite uždegimo kabelį prie uždegimo žvakės.
	Užteršta degalų linija arba baigėsi degalų galiojimas.	Išvalykite degalų liniją. Užpildykite degalų bakelį tinkamais degalais.
	Degalų bakelio dangtelis užsikimšo.	Išvalykite degalų bakelio dangtelį.
	Į degalų sistemą pateko vandens arba purvo.	Išleiskite degalus iš degalų bakelio. Užpildykite degalų bakelį tinkamais degalais.
	Oro filtras yra purvinas.	Išvalykite oro filtrą.
	Būtina sureguliuoti karbiuratorių.	Karbiuratorių sureguliuoti leiskite techninės priežiūros atstovams.
Variklis pernelyg įkaista.	Per mažas variklio alyvos lygis.	Įpilkite variklio alyvos.
	Oro srautas nepakankamas.	Išvalykite oro filtrą ir oro filtro korpusą.
	Būtina sureguliuoti karbiuratorių.	Karbiuratorių sureguliuoti leiskite techninės priežiūros atstovams.
Gaminiui veikiant dideliu greičiu įvyksta uždegimo pertrūkių.	Tarpas tarp elektrodų uždegimo žvakėje yra per mažas.	Sureguliuokite tarpą tarp elektrodų.
Neįprastas variklio garsas naudojant gaminį normaliu pajėgumu.	Netinkamo tipo benzinai.	Ištuštinkite degalų bakelį ir karbiuratorių. Įpilkite naujo benzino. Žr. <i>Kuro sistemos tikrinimas psl. 217</i> . Jei problema išlieka, kreipkitės į vietinį techninės priežiūros atstovą.

Problema	Galima priežastis	Sprendimas
Variklis veikia netolygiai tuščiaja eiga.	Uždegimo žvakė yra purvina, pažeista arba tarpas tarp elektrodų yra per didelis.	Sureguliuokite tarpą tarp elektrodų arba pakeiskite uždegimo žvakę.
	Būtina sureguliuoti karbiuratorių.	Sureguliuokite karbiuratorių.
	Oro filtras yra purvinas.	Išvalykite oro filtrą.

Transportavimas, saugojimas ir utilizavimas

Transportavimas ir laikymas

- Norėdami laikyti ir transportuoti gaminį ir kurą, įsitinkinkite, kad jis neprateka ir neskleidžia išmetamųjų dujų. Žiežirbos arba atvira ugnis, pvz., elektriniai įrenginiai arba džiovintuvai, gali sukelti gaisrą.
- Laikydami ir transportuodami kurą visada naudokite patvirtintus konteinerius.
- Ištuštinkite kuro bakelį prieš padėdami gaminį laikyti ilgam laikui. Kurą išpilkite tinkamoje šalinimo vietoje.
- Saugiai pritvirtinkite gaminį jį transportuodami, kad nepažeistumėte ir išvengtumėte nelaimingų atsitikimų.
- Laikykite gaminį užrakintoje patalpoje, kad jo nepasiektų vaikai arba neįgalieji asmenys.
- Laikykite gaminį sausoje neužšąlančioje vietoje.

- Iškraukite akumuliatorių kartą per 3 mėnesius, kad akumulatorius nesugestų.
- Akumuliatorių ir įkroviklį reikia laikyti nuo 5 °C iki 40 °C temperatūroje. Aukštesnė temperatūra arba aukštos temperatūros šaltiniai, pvz., gaisras, gali sugadinti akumuliatorių.
- Neardykite baterijos.
- Nepanardinkite akumulatoriaus į vandenį. Laikykite akumuliatorių vėsioje ir sausoje vietoje, kurioje yra geras oro srautas.
- Jei akumuliatorius skleidžia kvapą, yra karštas arba jei dėl karščio jis deformuojasi veikimo, laikymo ar įkrovimo metu, išimkite akumuliatorių ir jo nenaudokite.
- Transportavimo metu užtikrinkite, kad akumulatorius ar įkroviklis yra pritvirtinti, kad išvengtumėte žalos.
- Įsitinkinkite, kad akumulatoriaus įkroviklis neįkaista.

Gaminio nustatymas į gabenimo padėtį

- Atlaisvinkite rankenos rankenėles. (Pav. 43)
- Lenkite rankeną į priekį, kol ji pasieks galinę padėtį. (Pav. 44)

Akumulatoriaus ir įkroviklio transportavimas bei laikymas

- Neišimkite akumulatoriaus, kol gaminys nesustoja ir neatvėso. Norėdami išimti akumuliatorių, paspauskite ir laikykite nuspaudę akumulatoriaus viršuje esantį mygtuką ir išimkite akumuliatorių iš lizdo.
- Jei saugojimo laikas yra ilgesnis nei 30 dienų, iškraukite akumuliatorių, kol bus rodomos daugiau nei 3 žalios lemputės.

Šalinimas

- Laikykites vietinių atliekų tvarkymo reikalavimų ir galiojančių teisės aktų.
- Išpilkite visas chemines medžiagas, pvz., variklio alyvą arba aušinimo skystį techninės priežiūros centre arba tinkamoje šalinimo vietoje.
- Kai gaminys nebenaudojamas, nusiųskite jį „Husqvarna“ pardavėjui arba atiduokite į perdirbimo vietą.
- Utilizuokite akumuliatorių techninės priežiūros centre arba išmeskite jį panaudotų akumuliatorių tvarkymo centre.

Techniniai duomenys

Techniniai duomenys

	LB 144	LB 244E
Variklis		

	LB 144	LB 244E
Gamintojas	„Husqvarna“	„Husqvarna“
Modelis	HS 123A	HS 139AE
Variklio tipas	Vieno cilindro, keturtaktis, oru aušinamas, OHV	Vieno cilindro, keturtaktis, oru aušinamas, OHV
Darbinis tūris, cm ³	123	139
Variklio greitis – nominalus, aps./min.	3000/min	2900/min
Vardinė variklio galia, kW ⁹⁴	1,95	2,2
Uždegimo sistema		
Degimo žvakė	Husqvarna HQT-7	Husqvarna HQT-7
Tarpas tarp elektrodų, mm	0,7–0,8	0,7–0,8
Degalų ir tepimo sistema		
Variklio tepimo tipas	Purškiamasis	Purškiamasis
Degalų bakelio talpa, l	0,9	0,9
Alyvos bakelio talpa, l	0,5	0,5
Variklio alyva ⁹⁵	Husqvarna SAE 30, Husqvarna SAE 5W–30 sintetinė, Husqvarna SAE 10W–40	Husqvarna SAE 30, Husqvarna SAE 5W–30 sintetinė, Husqvarna SAE 10W–40
Svoris		
Su tuščiais bakeliais, kg	22	23,5
Skleidžiamas triukšmas ⁹⁶		
Garso galios lygis, išmatuotas dB (A)	91	92
Garso galios lygis, garantuojamas L _{WA} dB (A)	94	94
Garso lygiai ⁹⁷		
Naudotojo ausį veikiantis garso slėgis, dB (A)	79	80
Vibracijos lygis ⁹⁸		
Viršutinės rankenos vibracija, m/s ²	7,6	6,0
Pjovimo įranga		
Pjovimo aukštis, mm	25–75	25–75

⁹⁴ Nurodyta variklio galia atitinka to modelio tipinės gamybos būdu pagaminto variklio vidutinę naudingąją atiduodamą galią (varikliui veikiant nurodytu greičiu), išmatuotą pagal SAE standartą J1349 / ISO1585. Masinės gamybos būdu pagamintų variklių galia gali skirtis. Faktinė gaminyje įmontuoto variklio galia priklausys nuo darbinio greičio, aplinkos sąlygų ir kitų aplinkybių.

⁹⁵ Naudokite API SJ ar aukštesnės kokybės variklio alyvą. Jei SAE-30 alyva naudojama žemesnėje nei +5 °C temperatūroje, variklis gali būti suteptas nepakankamai. Dėl to gali atsirasti variklio gedimų. Daugiau informacijos apie tai, kokią alyvą naudoti esant žemai temperatūrai, žr. *Norėdami pakeisti variklio alyvą psl. 215.* Žiūrėkite klampumo lentelę variklio instrukcijoje (jei pridedama) ir pasirinkite geriausią klampumą, atsižvelgdami į numatomą lauko temperatūrą.

⁹⁶ Triukšmas, skleidžiamas į aplinką, išmatuotas kaip garso galia (L_{WA}) pagal EB direktyvą 2000/14/EB.

⁹⁷ Pateikiamų triukšmo slėgio duomenų būdingoji statistinė sklaida (standartinis nuokrypis) lygi 1,2 dB (A).

⁹⁸ Pateiktuose vibracijos lygio duomenyse yra 0,2 m/s² tipiška statistinė sklaida (standartinis nuokrypis).

	LB 144	LB 244E
Pjovimo plotis, mm	440	440
Pjovimo sistema	Bioclip® ⁴	Bioclip® ⁴
Peilio standartas	Mulčiavimo 5464584-10	Mulčiavimo 5464584-10
Užvedimo sistema		
Elektrinis starteris	Ne	Taip
Akumulatorius	-	Ličio jonų, 10,8 V / 21,6 Wh

Atitikties deklaracija

ES atitikties deklaracija

Mes, **Husqvarna AB**, SE-561 82 Huskvarna, Švedija, tel. +46-36-146500, atsakingai patvirtiname, kad gaminys:

Aprašymas	Vejapjovė
Gamintojas	Husqvarna
Tipas / modelis	LB 144, LB 244E
Identifikacijos numeris	Serijos numeriai nuo šios datos: 2023 ir vėlesni

visiškai atitinka šias ES direktyvas ir reglamentus:

Reglamentas	Aprašymas
2006/42/EB	„dėl mašinų“
2014/30/ES	„dėl elektromagnetinio suderinamumo“
2000/14/EB	„dėl į aplinką skleidžiamo triukšmo“
2011/65/ES	„dėl tam tikrų pavojingų medžiagų naudojimo elektros ir elektroninėje įrangoje apribojimo“

ir kad laikomasi šių standartų ir (arba) techninių specifikacijų: EN ISO 5395-1:2013+A1:2018, EN ISO 5395-2:2013+A1:2016+A2:2017, EN IEC 63000:2018, EN ISO 14982:2009

Notifikuotoji įstaiga: 0404, SMP Svensk Maskinprovning AB, Box 4053, SE-904 03 Umeå, Sweden patvirtino atitiktį Tarybos direktyvai 2000/14/EB; atitikties įvertinimo procedūra: VI priedas.

Daugiau informacijos apie triukšmo emisiją žr. *Techniniai duomenys psl. 219.*

Huskvarna, 2023-09-18



Claes Losdal, plėtros vadovas / sodo gaminiai,
„Husqvarna AB“

Atsakingas už techninę dokumentaciją



Saturs

levads.....	223	Dzinēja problēmu novēršana.....	233
Drošība.....	224	Pārvadāšana, glabāšana un utilizēšana.....	234
Montāža.....	227	Tehniskie dati.....	235
Lietošana.....	227	Atbilstības deklarācija.....	237
Apkope.....	229		

Ievads

Izstrādājuma apraksts

Izstrādājums ir gājēja vadīts rotējošs zāles plāvējs, kas izmanto BioClip zāles sagriešanai, lai to izmantotu kā mēslojumu.

Izstrādājuma pārskats

(Att. 1)

1. Dzinēja bremzes rokturis
2. Rokturis/stūre
3. Startera auklas rokturis (LB 144)
4. Griešanas augstuma svira
5. Eļļas tvertnes vāciņš un mērstienis
6. Trokšņa slāpētājs
7. Aizdedzes svece
8. Pacelšanas rokturis
9. Roktura augstuma regulēšanas svira
10. Degvielas tvertnes vāciņš
11. Gaisa filtrs
12. Pļaušanas pārsegs
13. Asmens
14. Atsperpaplāksne
15. Naža skrūve
16. Akumulators, drošības ierīce (LB 244E)
17. Elektriskā startera poga (LB 244E)
18. Lietošanas rokasgrāmata

Simboli uz motorzāģa

- (Att. 2) **BRĪDINĀJUMS!** Esiet uzmanīgi un lietojiet akumulatora lādētāju pareizi. Šī ierīce var radīt smagas vai nāvējošas traumas jums vai citiem.
- (Att. 3) Lūdzu, rūpīgi izlasiet šo lietotāja rokasgrāmatu un pirms dzīvzoga šķēru lietošanas pārliecinieties, ka izprotat norādījumus.
- (Att. 4) Uzmanieties no izmestiem un rikošetā atlecošiem priekšmetiem.
- (Att. 5) Nodrošiniet, lai cilvēki un dzīvnieki atrastos drošā attālumā no darba zonas.

Paredzētā lietošana

Izmantojiet izstrādājumu, lai apgrieztu zāli. Nelietojiet izstrādājumu citiem uzdevumiem.

(Att. 6) Brīdinājums. Turiet rokas un kājas drošā attālumā no rotējošā asmens.

(Att. 7) Brīdinājums. Turiet rokas un kājas drošā attālumā no rotējošajām daļām.

(Att. 8) Pirms veicat remontdarbus vai tehnisko apkopi, apturiet dzinēju un atvienojiet aizdedzes vadu.

(Att. 9) Šis zāles plāvējs atbilst spēkā esošajām EK direktīvām.

(Att. 10) Trokšņa emisijas vidē uzlīme atbilstoši ES un Apvienotās Karalistes direktīvām un noteikumiem, kā arī Jaundienvidvācijas tiesību aktam "Darba vides aizsardzības (trokšņa kontroles) regula (2017)". Motorzāģa garantētais skaņas jaudas līmenis ir norādīts šeit: *Tehniskie dati lpp. 235*, kā arī uzlīmē.

(Att. 11) Šis izstrādājums atbilst spēkā esošiem AK noteikumiem.

(Att. 12) Aizdeģšanās risks.

(Att. 13) Neieelpojiet izplūdes gāzes. Dzinēja izplūdes gāzes satur oglekļa monoksīdu, kas ir bezkrāsaina, indīga un ļoti bīstama gāze. Nedarbiniet dzinēju iekšelpās vai slēgtās telpās.

(Att. 14) Karsta virsma.

(Att. 16) Pirms iedarbināt zāles plāvēju, iepildiet dzinējā eļļu.

(Att. 17) Iedarbināšanas darbības modelim LB 144: Bīdīet dzinēja bremžu rokturi uz leju un velciet startera auklas rokturi.

(Att. 18) Iedarbināšanas darbības modelim LB 244E: Bīdīet dzinēja bremžu rokturi uz leju un nospiediet iedarbināšanas pogu.

(Att. 15) Skenējams kods.

Piezīme: Pārējie uz smalcinātāja norādītie simboli/uzlīmes attiecas uz citu tirdzniecības nozaru sertifikācijas prasībām.

Produkta bojājumi

Mēs neatbildam par mūsu produkta bojājumiem, ja:

- ir veikts nepareizs produkta remonts;
- produkta remonts ir veikts, izmantojot detaļas, ko nav nodrošinājis vai apstiprinājis ražotājs;
- produktam tiek pievienots piederums, ko nav nodrošinājis vai apstiprinājis ražotājs;
- produkta remonts nav veikts pilnvarotā remontdarbīcā vai pie pilnvarota speciālista.

Euro V emisija



BRĪDINĀJUMS: Motora atvēršana anulē šī ķēdes zāga ES tipa apstiprinājumu.

Drošība

Drošības definīcijas

Brīdinājumi, norādes "Uzmanību!" un piezīmes tiek izmantotas, lai izceltu īpaši svarīgas lietotāja rokasgrāmatas daļas.



BRĪDINĀJUMS: Tiek izmantota tad, ja rokasgrāmatā sniegto instrukciju neievērošanas dēļ operatoram vai blakus esošajām personām draud traumu vai nāves risks.



IEVĒROJIET: Tiek izmantota tad, ja rokasgrāmatā sniegto instrukciju neievērošanas dēļ rodas izstrādājuma, citu materiālu vai blakus esošās teritorijas bojājuma risks.

Piezīme: Tiek izmantota, lai sniegtu plašāku informāciju, kas nepieciešama attiecīgajā situācijā.

Vispārīgi drošības norādījumi



BRĪDINĀJUMS: Pirms izstrādājuma lietošanas izlasiet tālāk izklāstītos brīdinājumus.

- Šis izstrādājums ir bīstams, ja to lieto nepareizi vai ja nerīkojaties piesardzīgi. Drošības instrukciju neievērošana var izraisīt traumas vai nāvi.
- Šis izstrādājums darbības laikā rada elektromagnētisko lauku. Zināmos apstākļos šis lauks var traucēt aktīvā vai pasīvā medicīniskā implantāta darbību. Lai samazinātu nopietnas traumas gūšanas vai dzīvības zaudēšanas risku, mēs iesakām personām, kam ir medicīniskie implantāti, pirms šī izstrādājuma lietošanas

konsultēties ar savu ārstu un medicīniskā implantāta ražotāju.

- Vienmēr rīkojieties piesardzīgi un saprātīgi. Ja neesat drošs par to, kā izmantot šo izstrādājumu konkrētā situācijā, pārtrauciet darbu un sazinieties ar savu Husqvarna izplatītāju, pirms turpināt.
- Paturiet prātā, ka operators ir atbildīgs par negadījumiem, kuros iesaistītas citas personas.
- Gādājiet, lai izstrādājums ir tīrs. Pārliecinieties, ka varat skaidri izlasīt zīmes un uzlīmes.
- Neļaujiet nevienai personai izmantot izstrādājumu, ja neesat pārliecinājies, ka šī persona ir izlasījusi un izprot lietotāja rokasgrāmatas saturu.
- Neļaujiet bērniem lietot šo izstrādājumu.
- Bērni nedrīkst atrasties darba zonā. Tuvumā vienmēr jābūt pieaugušajam.
- Neļaujiet lietot izstrādājumu personai, kas nav iepazinusies ar lietošanas norādījumiem.
- Ja produktu izmanto persona ar samazinātām fiziskajām vai garīgajām spējām, vienmēr uzraugiet šo personu. Tuvumā vienmēr jābūt pieaugušajam.
- Neizmantojiet šo izstrādājumu, ja esat noguris, slims vai esat alkohola, narkotiku vai medikamentu izraisītā reibumā. Šāds stāvoklis negatīvi ietekmē jūsu redzi, modrību, koordināciju un spriestspēju.
- Nelietojiet izstrādājumu, kas ir bojāts vai nedarbojas pareizi.
- Neveiciet izmaiņas šajā izstrādājumā un neizmantojiet to, ja ir iespējams, ka citas personas tajā ir veikušas izmaiņas.
- Nemainiet noregulēto dzinēja apgriezienu skaitu

Darba zonas drošība



BRĪDINĀJUMS: Pirms sākat lietot izstrādājumu, izlasiet tālāk izklāstītās brīdinājuma instrukcijas.

- Pirms izmantojat izstrādājumu, noņemiet no darba zonas priekšmetus, piemēram, zarus, žaģarus un akmeņus.
- Priekšmeti, kas saskaras ar griešanas ierīci, var atlēkt un nodarīt kaitējumu personām vai citiem priekšmetiem. Gādājiet, lai citi cilvēki un dzīvnieki atrastos drošā attālumā no izstrādājuma.
- Nekad neizmantojiet izstrādājumu sliktos laikapstākļos, piemēram, miglā, lietū, stiprā vējā, lielā aukstumā un pastāvot zibeņošanas riskam. Izstrādājuma izmantošana sliktos laikapstākļos vai mitrā vai slapjā vietā ir nogurdinoša. Slikti laikapstākļi var izraisīt bīstamus apstākļus, piemēram, slidenas virsmas.
- Pārliedzinieties, vai nav personu, priekšmetu un situāciju, kas varētu kavēt izstrādājuma drošu darbību.
- Uzmanīgi skatieties, vai nav šķēršļu, piemēram, sakņu, akmeņu, zaru, bedru un grāvju. Garā zālē var atrasties dažādi šķēršļi.
- Pļaušana uz nogāzēm var būt bīstama. Neizmantojiet izstrādājumu uz virsmas, kuras slīpums pārsniedz 15°.
- Uz nogāzēm izstrādājumu izmantojiet garenvirzienā. Nepļaujiet uz augšu un uz leju.
- Esiet uzmanīgi, kad tuvojaties stūriem, aiz kuriem nekas nav redzams, no priekšmetiem, kas aizsedz skaidru skatu.

Darba drošība



BRĪDINĀJUMS: Pirms sākat lietot izstrādājumu, izlasiet tālāk izklāstītās brīdinājuma instrukcijas.

- Izmantojiet šo izstrādājumu tikai zālienu pļaušanai. Izstrādājumu nav atļauts izmantot citu darbu veikšanai.
- Lietojiet individuālos aizsardzības līdzekļus. Skatiet šeit: *Individuālie aizsarglīdzekļi lpp. 225.*
- Pārliedzinieties, vai zināt, kā ārkārtas situācijā ātri apturēt dzinēju.
- Nekad neiedarbiniet dzinēju slēgtās telpās vai uzliesmojošu materiālu tuvumā. Dzinēja izplūdes gāzes ir karstas, un tajās var būt dzirksteles, kas var izraisīt ugunsgrēku.
- Nedarbiniet izstrādājumu, ja asmens un visi pārsegi nav piestiprināti pareizi. Nepareizi piestiprināts asmens var kļūt vaļīgs un izraisīt traumas personai.
- Pārliedzinieties, ka asmens neatsitas pret priekšmetiem, piemēram, akmeņiem un saknēm. Tas var sabojāt asmeni un saliekt dzinēja vārpstu. Saliekts asmens izraisa stipru vibrāciju un rada ļoti lielu risku, ka asmens kļūst vaļīgs.
- Ja asmens saskaras ar priekšmetu vai rodas spēcīgas vibrācijas, nekavējoties izslēdziet izstrādājumu. Atvienojiet aizdedzes vadu no aizdedzes sveces. Pārbaudiet, vai izstrādājumā nav

bojājumu. Novērsiet bojājumus vai ļaujiet pilnvarotā servisa pārstāvim veikt remontu.

- Nekad nepiestipriniet dzinēja bremžu rokturi pastāvīgi rokturim, kad dzinējs ir iedarbināts.
- Novietojiet izstrādājumu uz stabilas, līdzenas virsmas un iedarbiniet to. Pārliedzinieties, vai asmens nepieskaras zemei vai citiem priekšmetiem.
- Darbinot izstrādājumu, vienmēr stāviet aiz tā.
- Darbinot izstrādājumu, raugiet, lai visi četri riteņi atrodas uz zemes un turiet rokturi ar abām rokām. Turiet rokas un kājas drošā attālumā no rotējošajiem asmeņiem.
- Nekad nenolieciet izstrādājumu dzinēja darbības laikā.
- Esiet piesardzīgs, velkot izstrādājumu uz aizmuguri.
- Nekad neceliet izstrādājumu uz augšu dzinēja darbības laikā. Ja jums jāpaceļ izstrādājums, vispirms izslēdziet dzinēju un atvienojiet aizdedzes vadu no aizdedzes sveces.
- Neejiet atmuguriski izstrādājuma lietošanas laikā.
- Izslēdziet dzinēju, kad pārvietojaties pa teritorijām, ko neklāj zāle, piemēram, pa grants, akmens vai asfalta celiņiem.
- Nekad neskrīniet ar izstrādājumu dzinēja darbības laikā. Darbinot izstrādājumu, vienmēr ejiet.
- Apturiet dzinēju, pirms maināt griešanas augstumu. Nekad nemēģiniet veikt regulēšanas darbus dzinēja darbības laikā.
- Nekad neatstājiet izstrādājumu bez uzraudzības dzinēja darbības laikā. Izslēdziet dzinēju un pārliedzinieties, vai griešanas ierīce nerotē.

Norādījumi par drošu darbu

Individuālie aizsarglīdzekļi



BRĪDINĀJUMS: Pirms sākat lietot izstrādājumu, izlasiet tālāk izklāstītās brīdinājuma instrukcijas.

- Šādi līdzekļi nevar pilnībā novērst traumu gūšanas risku, taču samazina traumu smaguma pakāpi, ja negadījums tomēr notiek. Ļaujiet izplatītajam palīdzēt jums izvēlēties pareizo aprīkojumu.
- Ja trokšņa līmenis ir augstāks par 85 dB, izmantojiet dzirdes aizsarglīdzekļus.
- Velciet izturīgu zābakus vai kurpes, kas neslīd.
- Nevelciet vaļējas kurpes un neejiet ar basām kājām.
- Velciet izturīgas garās bikses.
- Vajadzības gadījumā izmantojiet aizsargcimdus, piemēram, piestiprinot, pārbaudot vai fīrot griešanas aprīkojumu.

Zāles plāvēja drošības ierīces



BRĪDINĀJUMS: Pirms zāles plāvēja lietošanas izlasiet zemāk minētos brīdinājumus.

- Nelietojiet zāles plāvēju ar drošības ierīcēm, kas ir bojātas vai nedarbojas pareizi.
- Regulāri pārbaudiet drošības ierīces. Ja drošības ierīces ir bojātas vai nedarbojas pareizi, sazinieties ar Husqvarna apkopes dienesta pārstāvi.
- Nepārveidojiet drošības ierīces.

Griezēja pārsega pārbaude

Griezēja pārsegs samazina izstrādājuma vibrācijas un asmens radītu ievainojumu gūšanas risku.

- Pārbaudiet griezēja pārsegu, lai pārliecinātos, vai nav bojājumu, piemēram, plaisu.

Akumulators (LB 244E)



BRĪDINĀJUMS: Bojāts akumulators samazina produkta drošumu. Izmantojiet tikai tādu akumulatoru, ko ir apstiprinājis ražotājs.

Akumulators nodrošina strāvu elektriskajai iedarbināšanai un ir drošības ierīce, kas novērš nejašu iedarbināšanu. Izņemiet akumulatoru, kad nelietojat produktu un kad atstājat to bez uzraudzības.

Dzinēja bremžu roktura pārbaude

Dzinēja bremžu rokturis aptur dzinēju. Atlaižot dzinēja bremžu rokturi, dzinējs apstājas.

- Iedarbiniet dzinēju un pēc tam atlaidiet dzinēja bremžu rokturi. Ja dzinējs neapstājas trīs sekundēs, lieciet pilnvarotā Husqvarna servisa pārstāvim noregulēt dzinēja bremzes. (Att. 19)

Trokšņa slāpētājs

Slāpētājs maksimāli mazina troksni un novirza dzinēja izplūdes gāzes prom no operatora.

Nelietojiet produktu, ja nav trokšņa slāpētāja vai tas ir bojāts. Bojāts trokšņa slāpētājs palielina trokšņa līmeni un aizdegšanās risku.



BRĪDINĀJUMS: Lietošanas laikā, tūlīt pēc tās un tad, kad dzinējs darbojas tukšgaitā, trokšņa slāpētājs būtiski sakarst. Lai nepieļautu aizdegšanos, esiet piesardzīgi uzliesmojošu materiālu un/vai gāzu tuvumā.

Trokšņa slāpētāja pārbaude

- Regulāri pārbaudiet slāpētāju, lai pārliecinātos, ka tas ir pareizi piestiprināts un nav bojāts.

Drošības norādījumi, rīkojoties ar degvielu



BRĪDINĀJUMS: Pirms zāles plāvēja lietošanas izlasiet zemāk minētos brīdinājumus.

- Nelietojiet zāles plāvēju, ja uz tā ir degviela vai dzinēja eļļa. Nofīriet degvielu/eļļu un ļaujiet zāles plāvējam nožūt.
- Ja degviela nokļuvusi uz apģērba, nekavējoties pārģērbieties.
- Neļaujiet degvielai nokļūt uz ķermeņa, jo var rasties trauma. Ja degviela izlijusi uz ķermeņa, izmantojiet ziepes un ūdeni, lai to nomazgātu.
- Nelietojiet zāles plāvēju, ja no dzinēja ir noplūde. Regulāri pārbaudiet, vai no dzinēja nav noplūde.
- Rīkojoties ar degvielu, esiet uzmanīgi. Degviela ir viegli uzliesmojoša, tās vaiki ir sprādzienbīstami un var radīt traumas vai nāvējošu traumu.
- Neieelpojiet degvielas tvaikus, jo tie var kaitēt veselībai. Pārliecinieties, ka gaisa plūsma ir pietiekama.
- Nesmēķējiet degvielas vai dzinēja tuvumā.
- Nenovietojiet siltus priekšmetus degvielas vai dzinēja tuvumā.
- Nepapildiniet degvielu dzinēja darbības laikā.
- Pirms degvielas uzpildes pārliecinieties, ka dzinējs ir atdzisis.
- Pirms uzpildes lēni atveriet degvielas tvertnes vāciņu un uzmanīgi izlaidiet spiedienu.
- Neuzpildiet dzinēja degvielu telpās. Nepietiekama gaisa plūsma var radīt traumas vai nāvi, nosmokot vai saindējoties ar oglekļa monoksīdu (tvana gāzi).
- Pilnībā aizskrūvējiet degvielas tvertnes vāciņu. Ja degvielas tvertnes vāciņš nav aizskrūvēts, pastāv aizdegšanās risks.
- Pirms iedarbināšanas pārvietojiet zāles plāvēju vismaz 3 m/10 pēdas no vietas, kur uzpildjāt tvertni.
- Pilnībā neuzpildiet degvielas tvertni. Siltuma ietekmē degviela izplešas. Atstājiet degvielas tvertnes augšdaļu tukšu.
- Ja zāles plāvēja degvielas tvertnē ir degviela, nekādā gadījumā neuzglabājiet to ēkā, kurā ir aizdegšanās avoti, piemēram, karstā ūdens avoti un telpu sildītāji, drēbju žāvētāji u.c. Pirms zāles plāvēja novietošanas uzglabāšanai telpās ļaujiet atdzist dzinējam.

Norādījumi par drošu apkopi



BRĪDINĀJUMS: Pirms sākat lietot izstrādājumu, izlasiet tālāk izklāstītās brīdinājuma instrukcijas.

- Dzinēja gāzu izplūdes satur oglekļa monoksīdu, kas ir bezkrāsaina, indīga un ļoti bīstama gāze. Nedarbiniet dzinēju iekštelpās vai slēgtās telpās.
- Pirms veicat izstrādājuma apkopi, vispirms izslēdziet dzinēju un atvienojiet aizdedzes vadu no aizdedzes sveces. Modelim LB 244E izņemiet arī akumulatoru.
- Veicot griešanas aprīkojuma apkopi, velciet aizsargcimdus. Asmens ir ļoti ass, un ar to var viegli sagriezties.

- Piederumi un pārveidojumi izstrādājumā, kurus ražotājs nav apstiprinājis, var izraisīt nopietnas traumas vai nāvi. Nepārveidojiet izstrādājumu. Izmantojiet tikai tādus piederumus, ko ir apstiprinājis ražotājs.
- Ja apkope netiek veikta pareizi un regulāri, traumu gūšanas risks un bojājumu izstrādājumam risks palielinās.
- Veiciet tikai to apkopi, kas norādīta īpašnieka rokasgrāmatā. Visi pārējie apkopes darbi jāveic pilnvarotā Husqvarna servisa pārstāvim.
- Ļaujiet pilnvarotā Husqvarna servisa pārstāvim regulāri veikt izstrādājuma apkopi.
- Nomainiet bojātās, nodilušās un salūzušās detaļas.

Montāža

Ievads



BRĪDINĀJUMS: Pirms montējat izstrādājumu, izlasiet nodaļu par drošību un pārliecinieties, vai saprotat to.



BRĪDINĀJUMS: Noņemiet aizdedzes sveces vadu no aizdedzes sveces, pirms montējat izstrādājumu.

Roktura montāža

1. Velciet rokturi uz aizmuguri, līdz tas ir gala pozīcijā. (Att. 20)

2. Pievelciet rokturus. (Att. 21)

Roktura augstuma regulēšana

1. Pārliecinieties, ka augstuma regulēšanas svira atrodas gropē. Ar kāju nospiediet augstuma regulēšanas sviru, ja tā neatrodas gropē. (Att. 22)
2. Ar kāju iespiediet augstuma regulēšanas sviru.
3. Novietojiet rokturi pareizajā pozīcijā un atlaidiet rokturi. (Att. 23)

Lietošana

Ievads



BRĪDINĀJUMS: Pirms sākat darbu ar produktu, izlasiet nodaļu par drošību un pārliecinieties, vai saprotat to.

Husqvarna Connect

Husqvarna Connect ir bezmaksas lietotne jūsu mobilajai ierīcei. Lietotne Husqvarna Connect nodrošina paplašinātas funkcijas jūsu Husqvarna izstrādājumam:

- Paplašināta izstrādājuma informācija.
- Informācija par izstrādājuma daļām un apkopi un palīdzība ar to.

Lai sāktu izmantot Husqvarna Connect

1. Lejupielādējiet Husqvarna Connect lietotni savā mobilajā ierīcē.
2. Reģistrējieties Husqvarna Connect lietotnē.
3. Izpildiet Husqvarna Connect lietotnē sniegtos norādījumus, lai savienotu un reģistrētu produktu.

Pirms izstrādājuma lietošanas

1. Uzmanīgi izlasiet lietotāja rokasgrāmatu un pārliecinieties, vai izprotat instrukcijas.

2. Pārbaudiet griešanas aprikojumu, lai pārliecinātos, vai tas ir pareizi piestiprināts un noregulēts. Skatiet: *Griešanas aprikojuma pārbaudīšana lpp. 230.*
3. Pārbaudiet eļļas līmeni un nepieciešamības gadījumā pielejiet motoreļļu. Skatiet: *Eļļas līmeņa pārbaude lpp. 231.*
4. Uzpildiet degvielas tvertni. Skatiet: *Degvielas uzpildīšana lpp. 227.*

Degvielas uzpildīšana

Ja iespējams, izmantojiet degvielu ar zemu emisiju līmeni / alkilātu degvielu. Ja degviela ar zemu emisiju līmeni / alkilātu degviela nav pieejama, izmantojiet labas kvalitātes bezsvina benzīnu vai svīnu saturošu benzīnu, kura oktānskaitlis nav mazāks par 91.



IEVĒROJIET: Nelietojiet benzīnu, kura oktānskaitlis ir zemāks par 91 RON. Pretējā gadījumā izstrādājumam var rasties bojājumi.



IEVĒROJIET: Nomainiet degvielas filtru reizi gadā vai biežāk, ja nepieciešams. Jauns degvielas filtrs ir pieejams pie jūsu Husqvarna izplatītāja.



IEVĒROJIET: Pirms degvielas uzpildes vienmēr izslēdziet dzinēju.



IEVĒROJIET: Neizmantojiet iedarbināšanas šķidrumu zem spiediena.

1. Lēni atveriet degvielas tvertnes vāciņu, lai samazinātu spiedienu.
2. Lēni uzpildiet ar degvielas kannu. Ja esat izšķakstījis degvielu, noīriet to ar drānu un ļaujiet atlikušajai degvielai nožūt. (Att. 24)
3. Noīriet zonu ap degvielas tvertnes vāciņu.
4. Pilnībā aizskrūvējiet degvielas tvertnes vāciņu. Ja degvielas tvertnes vāciņš nav aizskrūvēts, pastāv aizdegšanās risks.
5. Pirms iedarbināšanas pārvietojiet produktu vismaz 3 m / 10 pēdas no vietas, kur uzpildījāt tvertni.

Izstrādājuma iestatīšana darba stāvoklī

1. Samontējiet rokturi. Skatiet šeit: *Roktura montāža lpp. 227.*
2. Noregulējiet roktura augstumu. Skatiet šeit: *Roktura augstuma regulēšana lpp. 227.*



IEVĒROJIET: Pārbaudiet, vai kabeli nav pārāk nospiesti. Pārāk liels spriegojums var izraisīt kabeļa bojājumus, kad rokturis tiek noliekts transportēšanas stāvoklī.



BRĪDINĀJUMS: Nelietojiet zāles plāvēju, kamēr tā rokturis nav pilnībā uzlocīts un iestatīts kādā no atbilstošajām augstuma pozīcijām. Skatiet šeit: *Roktura augstuma regulēšana lpp. 227.*

Plaušanas augstuma regulēšana

Plaušanas augstumu var noregulēt 6 dažādās pozīcijās.

1. Apturiet dzinēju.
2. Lai palielinātu griešanas augstumu, pārvietojiet griešanas augstuma sviru uz aizmuguri. (Att. 25)
3. Lai samazinātu griešanas augstumu, pārvietojiet griešanas augstuma sviru uz priekšu.



IEVĒROJIET: Neiestatiet griešanas augstumu pārāk zemu. Ja zāliena virsma nav līdzena, asmeņi var saskarties ar zemi.

Izstrādājuma iedarbināšana

- Pārliecinieties, vai aizdedzes vads ir pievienots aizdedzes svecei.

Manuāla iedarbināšana (LB 144)

1. Stāviet aiz izstrādājuma.
2. Turiet dzinēja bremžu rokturi piespiestu pie augšējā roktura. (Att. 26)
3. Turiet startera auklas rokturi ar labo roku.
4. Lēni velciet startera auklu, līdz sajūtat pretestību.
5. Lai iedarbinātu dzinēju, spēcīgi pavelciet startera auklu.



BRĪDINĀJUMS: Netiniet startera auklu ap roku.

Elektriska iedarbināšana (LB 244E)

1. Pārliecinieties, vai akumulators ir uzlādēts. Skatiet šeit: *Akumulatora apkope (LB 244E) lpp. 232.*
2. Piestipriniet akumulatoru pie dzinēja. Atskanot klikšķim, akumulators automātiski fiksējas. (Att. 27)
3. Stāviet aiz produkta un turiet dzinēja bremžu rokturi (A) piespiestu pie augšējā roktura. (Att. 28)
4. 3–5 sekundes turiet nospiestu elektriskās iedarbināšanas pogu. Dzinējs iedarbojas.

Piezīme: Ja dzinējs neiedarbojas, pagaidiet 1 minūti un mēģiniet vēlreiz iedarbināt produktu.

Izstrādājuma apturēšana

- Lai apturētu dzinēju, atlaidiet dzinēja bremžu rokturi.

Akumulatora izņemšana (LB 244E)

Lai novērstu nejašu dzinēja iedarbināšanu, izņemiet akumulatoru, kad izstrādājums netiek izmantots.

- Nospiediet bloķēšanas pogu (A) un izvelciet akumulatoru, velkot taisni. (Att. 29)

Labā rezultāta panākšana

- Vienmēr lietojiet tikai asus asmeņus. Lietojot trulu asmeni, plaušanas rezultāts ir nevienmērīgs, un noplautā zāles virsma kļūst dzeltena. Ass asmens arī patērē mazāk enerģijas nekā truls asmens.
- Neplaujiet vairāk par 1/3 no zāles garuma. Vispirms plaujiet ar lielu plaušanas augstuma iestatījumu. Pārbaudiet rezultātu un nolaidiet plaušanas augstumu līdz pieņemamam līmenim. Ja zāle ir ļoti gara, plaujiet lēni un, ja nepieciešams, dariet to divreiz.
- Katru reizi plaujiet dažādos virzienus, lai zālienā neatstātu svītras.
- Uzturiet plaušanas pārsegu fīru. Zāles un nefīrumu uzkrāšanās plaušanas pārsega iekšpusē var pasliktināt plaušanas rezultātu. Skatiet: *Griešanas pārsega iekšējās virsmas tīrīšana lpp. 230.*

Apkope

Ievads



BRĪDINĀJUMS: Pirms veicat apkopi, izlasiet nodaļu par drošību un pārliecinieties, vai izprotat to.

Lai veiktu visus izstrādājuma apkopes un remonta darbus, ir nepieciešama īpaša apmācība. Mēs garantējam profesionāla remonta un apkopes pieejamību. Ja jūsu izplatītājs nav servisa pārstāvis, vērsieties pie viņa, lai iegūtu informāciju par tuvāko servisa pārstāvi.

Papildinformāciju skatiet šeit: www.husqvarna.com.

Tehniskās apkopes grafiks



IEVĒROJIET: Sasverot šo izstrādājumu, nodrošiniet, lai gaisa filtrs būtu vērstš augšup, nevis pret zemi. Pastāv dzinēja bojājumu risks.



IEVĒROJIET: Modeļiem ar elektrisko iedarbināšanu izņemiet akumulatoru pirms apkopes, remonta vai produkta tīrīšanas.

Apkopes intervāli tiek aprēķināti atbilstoši izstrādājuma ikdienas lietošanai. Intervāli mainās, ja izstrādājumu neizmanto ikdienā.

Attiecībā uz apkopi, kas atzīmēta ar *, skatiet instrukcijas šeit: *Zāles plāvēja drošības ierīces lpp. 225.*

Tehniskā apkope	Katru dienu	Reizi mēnesī	Katru sezonu
Veiciet vispārīgu pārbaudi	X		
Pārbaudiet eļļas līmeni	X		
Nomainiet eļļu (pirmo reizi pēc 5 h lietošanas, pēc tam – ik pēc 50 h lietošanas) ⁹⁹			X
Notīriet izstrādājumu	X		
Notīriet zonu ap roktura augstuma regulēšanas sviru	X		
Pārbaudiet griešanas aprīkojumu	X		
Pārbaudiet griešanas pārsegu*	X		
Pārbaudiet dzinēja bremžu rokturi*	X		
Pārbaudiet slāpētāju*		X	
Pārbaudiet aizdedzes sveci. Ja nepieciešams, notīriet vai nomainiet aizdedzes sveci			X
Pārbaudiet gaisa filtru	X		
Iztīriet gaisa filtru ¹⁰⁰		X	
Nomainiet gaisa filtru			X
Pārbaudiet degvielas sistēmu			X
Notīriet cilindra dzesēšanas spārnīņus		X	

Vispārējās pārbaudes veikšana

- Pārliecinieties, vai visi uzgriežņi un skrūves uz izstrādājuma ir pareizi pievilkti.

Produkta tīrīšana no ārpusē

- Izmantojiet suku, lai notīrītu lapas, zāli un neīrumus.
- Pārliecinieties, vai gaisa ievāde dzinēja augšpusē nav bloķēta.
- Produktu nedrīkst skalot ar augstspiediena ūdens strūklu.
- Ja izstrādājuma tīrīšanai izmantojat ūdeni, neļaujiet to tieši uz dzinēja.

Vietas notīrīšana ap roktura augstuma regulēšanas sviru

- Izmantojiet suku, lai notīrītu lapas, zāli un neīrumus. (Att. 30)

Griešanas pārsega iekšējās virsmas tīrīšana

1. Iztukšojiet degvielas tvertni.

2. Sagāziet izstrādājumu. Pārliecinieties, vai aizdedzes svece ir virzienā uz augšu.



IEVĒROJIET: Novietojot izstrādājumu ar gaisa filtru uz leju, var sabojāt dzinēju.

3. Ar šļūteni noskalojiet griešanas pārsega iekšējo virsmu.

Griešanas aprīkojuma pārbaudīšana



BRĪDINĀJUMS: Lai novērstu nejaūšu palaišanu, atvienojiet aizdedzes vadu no aizdedzes sveces.



BRĪDINĀJUMS: Veicot griešanas aprīkojuma apkopi, velciet aizsargcimdus. Asmens ir ļoti ass, un ar to var viegli sagriezties.

1. Pārbaudiet, vai griešanas aprīkojums nav bojāts vai ielaišājs. Vienmēr nomainiet bojātu griešanas ierīci.

⁹⁹ Ja produkts tiek darbināts lielas slodzes vai augstas apkārtējās temperatūras apstākļos, nomainiet dzinēja eļļu ik pēc 25 darba stundām.

¹⁰⁰ Ja darbs notiek putekļainā vidē vai pastāv gaisā esošu daļiņu klātbūtne, filtra tīrīšanu veiciet biežāk. Ja gaisa filtrs ir ļoti netīrs, nomainiet to.

2. Apskatiet asmeni, lai redzētu, vai tas nav bojāts vai truls.

Piezīme: Vajadzības gadījumā pēc asmens uzasināšanas to balansējiet. Ļaujiet servisa centram asināt, nomainīt un balansēt asmeni. Ja saskaraties ar šķērslī, kas liek izstrādājumam apstāties, nomainiet bojāto asmeni. Lai apkopes centra pārstāvis novērtē, vai asmens ir jāuzasina, vai arī tas ir jānomaina.

Asmens maiņa

1. Fiksējiet asmeni ar koka kluci. (Att. 31)
2. Izskrūvējiet asmens skrūvi un noņemiet atsperes paplāksni.
3. Noņemiet asmeni.
4. Pārbaudiet, vai nav bojāts asmens balsts un asmens skrūve.
5. Pārbaudiet, vai dzinēja vārpsta nav saliekta.
6. Kad piestiprināt jauno asmeni, vērsiet asmens saliektos galus pļaušanas pārsega virzienā. (Att. 32)
7. Pārlicinieties, vai asmens ir salāgots ar dzinēja vārpstas centru.
8. Fiksējiet asmeni ar koka kluci. Piestipriniet atsperepaplāksni, pievelciet skrūvi un paplāksni līdz 44-46 Nm. (Att. 33)
9. Ar roku pagrieziet asmeni un pārbaudiet, vai tas griežas brīvi.



BRĪDINĀJUMS: Uzvelciet biezus cimdus. Asmens ir ļoti ass, un ar to var viegli sagriezties.

10. Iedarbiniet zāles pļāvēju, lai pārbaudītu asmeni. Ja asmens nav pareizi piestiprināts, zāles pļāvējs vibrē vai pļaušanas rezultāts nav apmierinošs.

Eļļas līmeņa pārbaude



IEVĒROJIET: Pārāk zems eļļas līmenis var izraisīt dzinēja bojājumus. Pirms iedarbināt zāles pļāvēju, pārbaudiet eļļas līmeni.

1. Novietojiet zāles pļāvēju uz līdzenas virsmas.
2. Noņemiet eļļas tvertnes vāciņu ar piestiprināto mērstieni.
3. Notīriet no mērstieņa eļļu.
4. Pilnībā ievietojiet mērstieni eļļas tvertnē.
 - a) Nenostipriniet eļļas tvertnes vāciņu uz LB 144.
 - b) Nostipriniet eļļas tvertnes vāciņu uz LB 244E.
5. Noņemiet eļļas tvertnes vāciņu un mērstieni.
6. Pārbaudiet eļļas līmeni uz piestiprinātā mērstieņa.
7. Ja eļļas līmenis ir pārāk zems, uzpildiet dzinēja eļļu un pārbaudiet eļļas līmeni vēlreiz. (Att. 34)

Piezīme: Lai novērstu eļļas izšļakstīšanos, izmantojiet piltuvi.

8. Kad eļļas līmenis ir pareizs, uzlieciet eļļas tvertnes vāciņu.

Dzinēja eļļas maiņa



BRĪDINĀJUMS: Uzreiz pēc dzinēja izslēgšanas dzinēja eļļa ir ļoti karsta. Ļaujiet dzinējam atdzist, pirms iztecināt dzinēja eļļu. Ja dzinēja eļļa ir uzšļakstījusies uz ādas, nomazgājiet to ar ziepēm un ūdeni.

(Att. 35)

1. Darbiniet zāles pļāvēju, līdz degvielas tvertne ir tukša.
2. Noņemiet aizdedzes vadu no aizdedzes sveces.
3. Noņemiet eļļas tvertnes vāciņu ar piestiprināto mērstieni.
4. Novietojiet tvertni zem zāles pļāvēja, lai savāktu dzinēja eļļu.
5. Sasveriet zāles pļāvēju vai iztukšojiet dzinēja eļļu no eļļas tvertnes, izmantojot eļļas sūkni (piederums).
6. Iepildiet jaunu ieteikto dzinēja eļļu, kas aprakstīta šeit: *Tehniskie dati lpp. 235.*
7. Pārbaudiet eļļas līmeni. Skatiet šeit: *Eļļas līmeņa pārbaude lpp. 231.*
8. Kad eļļas līmenis ir pareizs, uzlieciet eļļas tvertnes vāciņu.

Gaisa filtrs

Netīrs gaisa filtrs var sabojāt dzinēju vai izraisīt tā darbības traucējumus. Strādājot puteklainā vidē, gaisa filtra apkopi veiciet biežāk. Skatiet šeit: *Tehniskās apkopes grafiks lpp. 229* vairāk informācijas par to, kad ir jānomaina gaisa filtrs.

Piezīme: Vienmēr nomainiet bojātu gaisa filtru.

Gaisa filtra noņemšana un uzstādīšana (LB 244E)



BRĪDINĀJUMS: Lietojiet aizsargcimdus.

1. Piespiediet skavas, kas fiksē gaisa filtra pārsegu.
2. Uzmanīgi noņemiet no dzinēja gaisa filtra vāku (A).
3. Noņemiet gaisa filtru (B). (Att. 36)
4. Pārbaudiet, vai gaisa filtram nav bojājumu. Nomainiet bojātu gaisa filtru.
5. Gaisa filtra tīrīšana un pārbaude. Skatiet: *Gaisa filtra tīrīšana (LB 244E) lpp. 232.*

6. Uzstādiet, veicot darbības pretējā secībā.

Gaisa filtra tīrīšana (LB 244E)

Nefīrs gaisa filtrs var sabojāt dzinēju vai izraisīt tā darbības traucējumus. Putekļainos apstākļos biežāk veiciet gaisa attīrītāja apkopi.

Skatiet šeit: *Tehniskās apkopes grafiks lpp. 229* vairāk informācijas par to, kad ir jānomaina gaisa filtrs.

1. Noņemiet gaisa filtra pārsegu un izņemiet filtru.
2. Izīrīet filtru, padauzot to pret līdzenu virsmu. Filtra tīrīšanai neizmantojiet šķīdinātāju ar benzīnu, petroleju vai saspiestu gaisu.

Piezīme: Gaisa filtrus, kas tiek izmantoti ilgu laiku, nevar pilnībā izīrīt. Regulāri nomainiet gaisa filtru. Bojāti gaisa filtri noteikti ir jānomaina.

3. Uzstādot gaisa filtru, pārbaudiet, vai tas cieši pieguļ filtra turētājam.

Putuplasta filtra tīrīšana (LB 144)



IEVĒROJIET: Neiedarbiniet dzinēju, ja nav uzstādīti gaisa filtri. Ja gaiss ir nefīrs, dzinēja nodilums palielinās.

1. Noņemiet gaisa filtra pārsegu (A). (Att. 37)
2. Izņemiet putuplasta filtrus (B).



IEVĒROJIET: Pārbaudiet, vai putuplasta filtri nav bojāti vai nodiluši. Nomainiet visus bojātos putuplasta filtrus.

3. Izīrīet putuplasta filtrus ar ziepēm un ūdeni.
4. Noskalojiet putuplasta filtrus tīrā ūdenī.
5. Izspiediet ūdeni no putuplasta filtriem un ļaujiet tiem nožūt.



IEVĒROJIET: Neizmantojiet saspiesto gaisu. Tas var izraisīt putuplasta filtra bojājumus.

6. Ieeļļojiet putuplasta filtrus ar motoreļļu.
7. Uzspiediet ar tīru drānu uz putuplasta filtra, lai noņemtu lieko eļļu.
8. Uzstādiet putuplasta filtrus. Pārļiecinieties, vai putuplasta filtri pilnībā noblīvējas pret gaisa filtra turētāju.
9. Uzstādiet gaisa filtra pārsegu.

Akumulatora apkope (LB 244E)

Akumulatoram nav nepieciešama apkope. Akumulatora apkopi drīkst veikt tikai apstiprināts apkopes dienests, ja tas ir nepieciešams.

Akumulatora izmantošana pirmo reizi (LB 244E)



IEVĒROJIET: Neļaujiet akumulatoram pilnībā izlādēties. Ja akumulators pilnībā izlādējas, ir iespējami akumulatora bojājumi.

Pirms pirmās izmantošanas reizes akumulators ir jāuzlādē.

1. Pievienojiet akumulatora lādētāju pie akumulatora, skatiet šeit: *Akumulatora uzlāde (LB 244E) lpp. 232.*
2. Uzgaidiet, līdz iedegas vismaz 1 zaļais LED indikators.
3. Piestipriniet akumulatoru pie dzinēja; skatiet šeit: *Elektriska iedarbināšana (LB 244E) lpp. 228.*

Akumulatora uzlāde (LB 244E)

Ja uz akumulatora deg tikai 1 vai 0 indikatori, tas ir jāuzlādē. Tukšs akumulators tiek pilnībā uzlādēts 2 stundu laikā. Uzlādēšana isākā laikā nekaitē akumulatoram.

1. Pievienojiet akumulatora lādētāju pie akumulatora. (Att. 38)
2. Pievienojiet akumulatora lādētāju strāvas kontaktligzdai, 100–240 V, 50–60 Hz.
3. Vispirms izņemiet lādētāja kontaktdakšu no kontaktligzdas, tad atvienojiet lādētāju no akumulatora.

Akumulatora uzlādes statuss

LED indikators uz akumulatora	Statuss
1. LED indikators mirgo sarkanā krāsā.	1%–9%
1. LED indikators deg sarkanā krāsā.	10%–32%
1. LED indikators deg zaļā krāsā un 2. LED indikators deg sarkanā krāsā.	33%–54%
1. un 2. LED indikators deg zaļā krāsā un 3. LED indikators deg sarkanā krāsā.	55%–77%
1., 2. un 3. LED indikators deg zaļā krāsā un 4. LED indikators deg sarkanā krāsā.	78%–100%

Lampīņas indikators uz akumulatora lādētāja	Statuss
Pastāvīgi degoša sarkana gaisma	Akumulators tiek uzlādēts.
Nemainīgi degoša zaļa gaisma	Akumulators ir pilnībā uzlādēts.

Aizdedzes sveces pārbaude



IEVĒROJIET: Vienmēr lietojiet ieteiktā tipa aizdedzes sveci. Nepiemērota aizdedzes svece var radīt izstrādājuma bojājumus.

- Pārbaudiet aizdedzes sveci, ja dzinējam nepietiek jaudas, dzinēju nevar viegli iedarbināt vai arī tas nedarbojas pareizi tukšgaitā.
- Lai samazinātu nevēlamu materiālu uzkrāšanos uz aizdedzes sveces elektrodiem, ievērojiet turpmākos norādījumus.
 - a) Pārlicinieties, ka apgriezīgu skaits tukšgaitā ir noregulēts pareizi.
 - b) Pārlicinieties, ka degvielas maisījums ir atbilstošs.
 - c) Pārlicinieties, ka gaisa filtrs ir tīrs.
- Ja aizdedzes svece ir netīra, notīriet to un pārbaudiet, vai atstatums starp elektrodiem ir pareizs; skatiet šeit: *Tehniskie dati lpp. 235*. (Att. 39)
- Ja nepieciešams, nomainiet aizdedzes sveci.

Degvielas sistēmas pārbaude

- Pārbaudiet degvielas tvertnes vāciņu un degvielas tvertnes vāciņa blīvi, lai pārlicinātos, vai nav bojājumu.
- Pārbaudiet degvielas šļūtenes, lai pārbaudītu, vai nav noplūdes. Ja degvielas šļūtene ir bojāta, ļaujiet servisa pārstāvim to nomainīt.

Degvielas tvertnes iztukšošana

1. Novietojiet zem degvielas tvertnes degvielas savākšanas tvertni.
2. Noņemiet degvielas tvertnes vāciņu.
3. Piespiediet šļūtenes skavas uz degvielas šļūtenes karburatoram.
4. Atvienojiet degvielas šļūteni no karburatora.
5. Ievietojiet degvielas tvertnes šļūteni degvielas savākšanas tvertnē un noņemiet šļūtenes skavas.
6. Sasveriet zāles plāvēju, lai ielietu tvertnē degvielu.

Degvielas filtra maiņa



BRĪDINĀJUMS: Lietojiet aizsargcimdus.

1. Iztukšojiet degvielas tvertni.
2. Pārvietojiet šļūtenes skavu no degvielas tvertnes. (Att. 40)
3. Izņemiet degvielas šļūteni no degvielas tvertnes. Var iztecēt nedaudz degvielas. (Att. 41)
4. Izņemiet degvielas filtru no degvielas tvertnes. (Att. 42)
5. Degvielas tvertnē ievietojiet jaunu degvielas filtru.
6. Pievienojiet degvielas šļūteni degvielas tvertnei.
7. Novietojiet šļūtenes skavu pret degvielas tvertni.

Dzinēja problēmu novēršana

Problēma	Iespējamais iemesls	Risinājums
Nevar iedarbināt motoru.	Nav pareizi pievienots aizdedzes kabelis.	Pievienojiet aizdedzes kabeli aizdedzes svecei.
	Degvielas tvertne ir tukša.	Uzpildiet degvielas tvertni ar atbilstoša veida degvielu.
	Degviela ir veca.	Iztukšojiet degvielas tvertni un karburatoru. Ielejiet jaunu benzīnu.
	Karburatorā vai degvielas pievades caurulē ir netīrumi.	Iztīriet karburatoru un/vai degvielas caurulvadu.
	Aizdedzes svece ir bojāta.	Noregulējiet elektrodu atstarpus, notīriet vai nomainiet aizdedzes sveci.
	Uz aizdedzes sveces ir degviela.	Notīriet aizdedzes sveci.
Dzinēju nevar apturēt.	Apturēšanas mehānisms nedarbojas pareizi.	Atvienojiet aizdedzes vadu no aizdedzes sveces. Uzticiet produkta remontu apstiprināta apkopes dienesta pārstāvim.

Problēma	Iespējamais iemesls	Risinājums
Dzinējs darbojas nevienmēri- gi.	Nav pareizi pievienots aizdedzes kabelis.	Pievienojiet aizdedzes kabeli aizdedzes svecei.
	Degvielas cauruļvadā ir netīrumi vai degvielai ir beidzies derīguma termiņš.	Iztīriet degvielas cauruļvadu. Uzpildiet degvielas tvertni ar svaigu, atbilstošu degvielu.
	Aizsērējis degvielas tvertnes vāciņš.	Iztīriet degvielas tvertnes vāciņu.
	Degvielas sistēmā ir ūdens vai netīrumi.	Iztukšojiet degvielas tvertni. Uzpildiet degvielas tvertni ar svaigu, atbilstošu degvielu.
	Netīrs gaisa filtrs.	Iztīriet gaisa filtru.
	Jāregulē karburators.	Uzticiet karburatora regulēšanu apkopes dienesta darbiniekiem.
Motors pārāk sakarst.	Dzinēja eļļas līmenis ir pārāk zems.	Iepildiet dzinēja eļļu.
	Nepietiekama gaisa plūsma.	Iztīriet gaisa filtru un gaisa filtra korpusu.
	Jāregulē karburators.	Uzticiet karburatora regulēšanu apkopes dienesta darbiniekiem.
Dzinējam darbojoties ar lielu apgriezību skaitu, rodas dzinēja aizdedzes kļūme.	Pārāk maza elektrodu atstarpe aizdedzes svece.	Pielāgojiet elektrodu atstarpi.
Neparasti trokšņi dzinējā normālas slodzes apstākļos.	Nepareizs benzīna tips.	Iztukšojiet degvielas tvertni un karburatoru. Ielejiet jaunu benzīnu. Skatiet šeit: <i>Degvielas sistēmas pārbaude lpp. 233</i> . Ja problēma joprojām pastāv, sazinieties ar vietējo apkopes dienestu.
Dzinējs nedarbojas vienmērīgi tukšgaitas ātrumā.	Netīra, bojāta aizdedzes svece vai pārāk plata elektrodu atstarpe.	Noregulējiet elektrodu atstarpi vai nomainiet aizdedzes sveci.
	Jāregulē karburators.	Noregulējiet karburatoru.
	Netīrs gaisa filtrs.	Iztīriet gaisa filtru.

Pārvadāšana, glabāšana un utilizēšana

Transportēšana un glabāšana

- Attiecībā uz izstrādājuma un degvielas glabāšanu un transportēšanu pārliecinieties, vai nav noplūdes vai tvaiku. Dzirksteles vai atklātas liesmas, ko rada, piemēram, elektroierīces vai tvaika katli, var izraisīt ugunsgrēku.
- Vienmēr izmantojiet apstiprinātas tvertnes degvielas glabāšanai un transportēšanai.
- Iztukšojiet degvielas tvertni, pirms novietojat izstrādājumu glabāšanai uz ilgāku laiku. Nododiet degvielu piemērojamā utilizēšanas vietā.
- Transportēšanas laikā droši nostipriniet izstrādājumu, lai novērstu bojājumus un negadījumus.

- Glabājiet izstrādājumu norobežotā vietā, lai novērstu to, ka tam var piekļūt bērni vai personas, kam tas nav atļauts.
- Glabājiet izstrādājumu sausā vietā, kurā temperatūra nepazeminās zem 0°C.

Izstrādājuma novietošana transportēšanas stāvoklī

- Atlaidiet roktura fiksatorus. (Att. 83)
- Nolokiet rokturi uz priekšu, līdz tas ir sasniedzis gala pozīciju. (Att. 44)

Akumulatora un lādētāja transportēšana un glabāšana

- Izņemiet akumulatoru tikai tad, kad izstrādājums ir novietots stāvēšanai un ir atdzisis. Lai izņemiet akumulatoru, turiet nospiestu pogu akumulatora augšpusē un izņemiet akumulatoru no padziļinājuma.
- Ja glabāšanas laiks pārsniedz 30 dienas, uzlādējiet akumulatoru, līdz tajā deg vairāk nekā 3 zaļi gaismas indikatori.
- Reizi 3 mēnešos uzlādējiet akumulatoru, lai tam nerastos bojājumi.
- Akumulatora un akumulatora lādētāja glabāšanas temperatūrai jābūt no 5 °C līdz 40 °C. Augstākas temperatūras vērtības vai augstas temperatūras avoti, piem., uguns, var izraisīt akumulatora bojājumus.
- Neizjauciet akumulatoru.
- Neiegremdējiet akumulatoru pilnībā ūdenī. Glabājiet akumulatoru vēsā un sausā vietā, kur ir laba ventilācija.

- Ja akumulators rada smakas, ir karsts vai ja karstums izraisa akumulatora deformāciju darba, glabāšanas vai uzlādes laikā, izņemiet akumulatoru un neizmantojiet to.
- Gādājiet, lai transportēšanas laikā akumulators vai akumulatora lādētājs būtu pievienoti.
- Pārļiecieties, ka akumulatora lādētājs pārāk nesakarst.

Utilizēšana

- Ievērojiet vietējās pārstrādes prasības un piemērojamos noteikumus.
- Atbrīvojieties no visām ķīmikālijām, piemēram, dzinēja eļļas vai degvielas, servisa centrā vai piemērotā utilizācijas vietā.
- Kad izstrādājums vairs netiek izmantots, nosūtiet to Husqvarna izplatītājam vai nogādājiet to pārstrādes vietā.
- Utilizējiet bateriju servisa centrā vai utilizējiet to vietā, kas paredzēta lietotām baterijām.

Tehniskie dati

Tehniskie dati

	LB 144	LB 244E
Dzinējs		
Zīmols	Husqvarna	Husqvarna
Modelis	HS 123A	HS 139AE
Dzinēja tips	Viencilindra, 4 taktu, piespiedu gaisa dzesēšana, OHV	Viencilindra, 4 taktu, piespiedu gaisa dzesēšana, OHV
Dzinēja darba tilpums, cm ³	123	139
Dzinēja ātrums — nominālais, apgr./min	3000/min	2900/min
Dzinēja nomināljauda, kW ¹⁰¹	1,95	2,2
Aizdedzes sistēma		
Aizdedzes svece	Husqvarna HQT-7	Husqvarna HQT-7
Atstātums starp elektrodiem, mm	0,7-0,8	0,7-0,8
Degvielas un eļļošanas sistēma		
Dzinēja eļļošanas veids	Šķaideļošana	Šķaideļošana
Degvielas tvertnes tilpums, l	0,9	0,9

¹⁰¹ Maksimāli pieļaujamā dzinēja jauda ir vidējā tipiskā ražošanas dzinēja neto jauda (pēc noteiktajiem apgr./min.) dzinēja modelim, kas mērīta pēc SAE standarta J1349/ISO1585. Vairumam dzinēju šis lielums var atšķirties no šeit norādītā. Faktiskā izejas jauda dzinējam, kas uzstādīts zāles plāvējā, būs atkarīga no darbības ātruma, vides apstākļiem un citiem raksturlielumiem.

	LB 144	LB 244E
Eļļas tvertnes tilpums, l	0,5	0,5
Dzinēja eļļa ¹⁰²	Husqvarna SAE 30, Husqvarna SAE 5W-30 Synthetic, Husqvarna SAE 10W-40	Husqvarna SAE 30, Husqvarna SAE 5W-30 Synthetic, Husqvarna SAE 10W-40
Svars		
Svars ar tukšu tvertni, kg	22	23,5
Trokšņa emisija ¹⁰³		
Skaņas jaudas līmenis, izmērītais dB (A)	91	92
Skaņas jaudas līmenis, garantētais L _{WA} dB (A)	94	94
Skaņas līmeņi ¹⁰⁴		
Skaņas spiediena līmenis pie operatora auss, dB (A)	79	80
Vibrācijas līmeņi ¹⁰⁵		
Augšējā roktura vibrācija, m/s ²	7,6	6,0
Pļaušanas aprīkojums		
Pļaušanas augstums, mm	25–75	25–75
Pļaušanas platums, mm	440	440
Pļaušanas sistēma	Bioclip®	Bioclip®
Asmens — standarta	Mulčēšana 5464584-10	Mulčēšana 5464584-10
Palaides sistēma		
Elektriskais starteris	Nē	Jā
Akumulators	-	Litija jonu, 10,8 V, 21,6 Wh

¹⁰² Izmantojiet API SJ vai augstākas kvalitātes dzinēja eļļu. Ja eļļu SAE-30 lieto, kad temperatūra ir zemāka par +5 °C, pastāv nepietiekamas dzinēja eļļošanas risks. Tas var izraisīt dzinēja bojājumus. Informāciju par zemu temperatūrai piemērotu eļļu skatiet šeit: *Dzinēja eļļas maiņa lpp. 231*. Skatiet viskozitātes tabulu dzinēja rokasgrāmatā (ja iekļauta) un izvēlieties piemērotāko viskozitāti atbilstoši paredzamajai āra temperatūrai.

¹⁰³ Atbilstoši EK direktīvai 2000/14/EK trokšņa emisija apkārtņē ir mērīta kā akustiskā jauda (L_{WA}).

¹⁰⁴ Sniegtajos datos par skaņas spiediena līmeni tipiskā statistiskā izkliede ir 1,2 dB(A) (standartnovirze).

¹⁰⁵ Sniegtajos datos par vibrācijas līmeni tipiskā statistiskā izkliede ir 0,2 m/s² (standarta novirze).

Atbilstības deklarācija

ES atbilstības deklarācija

Mēs, **Husqvarna AB**, SE-561 82 Huskvarna, Zviedrija,
tālr. +46-36-146500, ar pilnu atbildību apliecinām, ka šis
izstrādājums:

Apraksts	Zāles plaujmašīna
Zīmols	Husqvarna
Tips/modelis	LB 144, LB 244E
Identifikācija	Ar sērijas numuriem no 2023 un turpmākiem sērijas numuriem

pilnībā atbilst šādām ES direktīvām un noteikumiem:

Noteikums	Apraksts
2006/42/EK	"par iekārtām"
2014/30/ES	"par elektromagnētisko savietojamību"
2000/14/EK	"par trokšņa emisiju vidē"
2011/65/ES	Par dažādu bīstamo vielu lietošanas ierobežojumiem elektriskajos un elektroniskajos aprīkojumos

un ir ievēroti zemāk norādītie saskaņotie standarti un/vai
tehniskie dati: EN ISO 5395-1:2013+A1:2018, EN ISO
5395-2:2013+A1:2016+A2:2017, EN IEC 63000:2018,
EN ISO 14982:2009

Informētā valsts iestāde: 0404, SMP Svensk
Maskinprovning AB, Box 4053, SE-904 03 Umeå,
Sweden ir apstiprinājusi atbilstību Eiropas Padomes
direktīvai 2000/14/EK, atbilstības izvērtēšanas kārtībai:
VI pielikums.

Lai iegūtu informāciju par trokšņa emisiju, skatiet šeit:
Tehniskie dati lpp. 235.

Huskvarna, 2023-09-18



Claes Losdal, nodaļas vadītājs/dārzkopības izstrādājumi,
Husqvarna AB

Atbildīgais par tehnisko dokumentāciju



Inhoud

Inleiding.....	238	Storingzoeken in de motor.....	248
Veiligheid.....	239	Vervoer, opslag en verwerking.....	249
Montage.....	242	Technische gegevens.....	250
Werking.....	242	Verklaring van overeenstemming.....	252
Onderhoud.....	244		

Inleiding

Productbeschrijving

Het product is een roterende duwmaaier die BioClip gebruikt om het gras te snijden tot meststof.

Productoverzicht

(Fig. 1)

1. Motorremhendel
2. Hendel/stuur
3. Startkoordhendel (LB 144)
4. Maaihoogtehendel
5. Oliedop en peilstok
6. Geluiddemper
7. Bougie
8. Handgreepstang
9. Hoogte-instellingsbeugel voor de handgreep
10. Brandstoftankdop
11. Luchtfilter
12. Kap van maaidek
13. Mes
14. Veerring
15. Mesbout
16. Accu, veiligheidsvoorzieningen (LB 244E)
17. Knop voor elektrisch starten (LB 244E)
18. Gebruikershandleiding

Symbolen op het product

- (Fig. 2) **WAARSCHUWING!** Wees voorzichtig en gebruik het product op de juiste manier. Dit product kan ernstig of fataal letsel toebrengen aan de gebruiker of anderen.
- (Fig. 3) Lees de bedieningshandleiding zorgvuldig door en zorg dat u de instructies hebt begrepen voordat u het product gebruikt.
- (Fig. 4) Kijk uit voor weggeslingerde en afgeketste voorwerpen.
- (Fig. 5) Houd personen en dieren op veilige afstand van het werkgebied.

Gebruik

Gebruik het product om gras te maaien. Gebruik het product niet voor andere taken.

- (Fig. 6) **Waarschuwing:** Houd handen en voeten uit de buurt van het roterende mes.
- (Fig. 7) **Waarschuwing:** Houd handen en voeten uit de buurt van draaiende onderdelen.
- (Fig. 8) Zet de motor uit en verwijder de ontstekingskabel voordat u reparaties of onderhoud uitvoert.
- (Fig. 9) Dit product voldoet aan de geldende EG-richtlijnen.
- (Fig. 10) Geluidsemisies naar het omgevingslabel volgens de richtlijnen en voorschriften van de EU en het VK en de wetgeving van Nieuw-Zuid-Wales "Protection of the Environment Operations (Noise Control) Regulation 2017". Het gegarandeerde geluidsvermogensniveau van het product staat vermeld in *Technische gegevens op pagina 250* en op het label.
- (Fig. 11) Dit product voldoet aan geldende VK-regelgeving.
- (Fig. 12) Risico op brand.
- (Fig. 13) Adem geen uitlaatgassen in. Uitlaatgassen van de motor bevatten koolmonoxide, een geurloos, giftig en uiterst gevaarlijk gas. Start de motor nooit binnenshuis of in gesloten ruimten.
- (Fig. 14) Warm oppervlak.
- (Fig. 16) Vul de motor met olie voordat u het product start.

(Fig. 17) Startprocedure voor LB 144:
Duw de remhendel van de motor omlaag en trek aan de greep van het startkoord.

(Fig. 18) Startprocedure voor LB 244E:
Duw de motorremhendel omlaag en druk op de startknop.

(Fig. 15) Scanbare code.

Let op: Andere symbolen/stickers op het product hebben betrekking op certificeringseisen voor overige commerciële markten.

Schade aan het product

We zijn niet verantwoordelijk voor schade aan ons product als:

- het product niet goed is gerepareerd.
- het product is gerepareerd met onderdelen die niet van de fabrikant afkomstig zijn, of onderdelen die niet zijn goedgekeurd door de fabrikant.
- het product een accessoire bevat dat niet afkomstig is van de fabrikant of niet is goedgekeurd door de fabrikant.
- het product niet is gerepareerd door een erkend servicepunt of door een erkende autoriteit.

Euro V-emissies



WAARSCHUWING: De EU-typegoedkeuring van dit product vervalt als ongeoorloofde wijzigingen aan de motor aangebracht worden.

Veiligheid

Veiligheidsdefinities

Waarschuwingen, voorzorgsmaatregelen en opmerkingen worden gebruikt om te wijzen op belangrijke delen van de handleiding.



WAARSCHUWING: Wordt gebruikt om te wijzen op de kans op ernstig of fataal letsel voor de gebruiker of omstanders wanneer de instructies in de handleiding niet worden gevolgd.



OPGELET: Wordt gebruikt indien er een risico bestaat op schade aan het product en andere eigendommen of aan de omgeving wanneer de instructies in de handleiding niet worden gevolgd.

Let op: Geven verdere informatie die nodig is in een bepaalde situatie.

Algemene veiligheidsinstructies



WAARSCHUWING: Lees de volgende waarschuwingen voordat u het product gaat gebruiken.

- Dit product is gevaarlijk als het verkeerd wordt gebruikt, of als u niet voorzichtig bent. Letsel of overlijden kunnen het gevolg zijn als u de veiligheidsvoorschriften negeert.
- Dit product produceert tijdens bedrijf een elektromagnetisch veld. Dit veld kan onder bepaalde omstandigheden de werking van actieve of passieve

medische implantaten verstoren. Om het risico op ernstig of dodelijk letsel te beperken, raden we personen met een medisch implantaat aan om contact op te nemen met hun arts en de fabrikant van het medische implantaat alvorens dit product te gaan gebruiken.

- Wees altijd voorzichtig en gebruik uw gezond verstand. Als u niet zeker weet hoe u het product moet bedienen in een bepaalde situatie, stop dan en informeer bij uw Husqvarna dealer voordat u verdergaat.
- Denk erom dat de bediener of gebruiker verantwoordelijk is voor ongelukken of beschadigingen aan eigendommen.
- Houd het product schoon. Zorg ervoor dat u de aanduidingen en stickers duidelijk kunt lezen.
- Laat niemand het product gebruiken tenzij u zeker weet dat deze de inhoud van de gebruikershandleiding hebben gelezen en begrepen.
- Laat het product niet door een kind bedienen.
- Houd kinderen uit het werkgebied. Er moet te allen tijde een verantwoordelijke volwassene aanwezig zijn.
- Laat de machine niet bedienen door personen die de instructies niet hebben gelezen.
- Houd personen met een lichamelijke of geestelijke beperking die het product gebruiken, altijd in de gaten. Er moet te allen tijde een verantwoordelijke volwassene aanwezig zijn.
- Gebruik het product nooit als u moe of ziek bent, of onder invloed van alcohol, drugs of medicijnen verkeert. Dit heeft een negatief effect op uw visie, alertheid, coördinatie en oordeel.
- Gebruik geen product dat is beschadigd of niet correct werkt.

- Wijzig dit product niet of gebruik het niet als het door anderen kan zijn gewijzigd.
- Wijzig de afstelling voor de motortoerentalregeling niet.

Veiligheid van het werkgebied



WAARSCHUWING: Lees de volgende waarschuwingen voordat u het product gaat gebruiken.

- Verwijder objecten zoals takken, twijgen en stenen uit het werkgebied voordat u het product gaat gebruiken.
- Objecten die tegen de snijuitrusting aankomen, kunnen worden uitgeworpen en schade veroorzaken aan personen en objecten. Houd omstanders en dieren op veilige afstand van het product.
- Gebruik het product nooit in slechte weersomstandigheden zoals mist, regen, sterke wind, hevige kou of als er gevaar is voor blikseminslag. Het gebruik van dit product bij slecht weer of op vochtige of natte plaatsen is vermoeiend. Slecht weer kan leiden tot gevaarlijke situaties zoals gladde ondergronden.
- Kijk uit voor personen, objecten en situaties die een veilig gebruik van het product kunnen verhinderen.
- Kijk uit voor obstakels zoals wortels, stenen, takjes, kuilen en greppels. Obstakels kunnen moeilijk te zien zijn door hoog gras.
- Gras maaien op hellingen kan gevaarlijk zijn. Gebruik het product niet op een helling van meer dan 15°.
- Gebruik het product dwars over het oppervlak van hellingen. Ga niet van boven naar beneden.
- Wees voorzichtig wanneer u in de buurt komt van onoverzichtelijke bochten en voorwerpen die uw zicht kunnen belemmeren.

Werkveiligheid



WAARSCHUWING: Lees de volgende waarschuwingen voordat u het product gaat gebruiken.

- Gebruik dit product alleen om gazons te maaien. Het is niet toegestaan om het product voor andere doeleinden te gebruiken.
- Maak altijd gebruik van persoonlijke beschermingsmiddelen. Zie *Persoonlijke beschermingsuitrusting op pagina 240*.
- Zorg ervoor dat u weet hoe u de motor in een noodsituatie snel kunt stoppen.
- Start de motor nooit in een gesloten ruimte of in de buurt van brandbaar materiaal. De uitlaatdampen van de motor zijn heet en kunnen vonken bevatten die brand kunnen veroorzaken.

- Gebruik dit product alleen als het mes en alle afdekkingen correct zijn bevestigd. Een verkeerd bevestigd mes kan losraken en letsel veroorzaken.
- Zorg ervoor dat het mes geen voorwerpen raakt zoals stenen en wortels. Hierdoor kan het mes beschadigen en de motoras verbuigen. Een gebogen as veroorzaakt zware trillingen en een zeer groot risico dat het mes losraakt.
- Stop het product onmiddellijk als het mes een voorwerp wordt geraakt of als zich trillingen voordoen. Ontkoppel de ontstekingskabel van de bougie. Controleer het product op schade. Repareer schade of laat een erkende servicewerkplaats de reparatie uitvoeren.
- Bevestig de motorremhendel nooit permanent aan de handgreep wanneer de motor wordt gestart.
- Plaats het product op een stabiele, vlakke ondergrond en start het. Zorg ervoor dat het mes niet in aanraking komt met de grond of andere voorwerpen.
- Blijf altijd achter het product wanneer u het gebruikt.
- Zorg dat alle wielen op de grond blijven en houd 2 handen op de handgreep tijdens de bediening van het product. Houd uw handen en voeten uit de buurt van de roterende messen.
- Kantel het product niet terwijl de motor draait.
- Wees voorzichtig wanneer u het product naar achteren trekt.
- Til het product nooit op terwijl de motor draait. Als het product toch moet worden opgetild, zet dan eerst de motor uit en ontkoppel de ontstekingskabel van de bougie.
- Loop niet achteruit wanneer u het product bedient.
- Stop de motor als u in gebieden zonder gras komt, bijvoorbeeld op paden van grind, stenen en asfalt.
- Loop niet hard met het product wanneer de motor is ingeschakeld. Loop altijd rustig wanneer u het product bedient.
- Zet de motor uit voordat u de maaihoogte wijzigt. Voer nooit afstellingen uit terwijl de motor draait.
- Houd altijd toezicht op het product wanneer de motor draait. Schakel de motor uit en zorg ervoor dat de snijuitrusting niet draait.

Veiligheidsinstructies voor bediening

Persoonlijke beschermingsuitrusting



WAARSCHUWING: Lees de volgende waarschuwingen voordat u het product gaat gebruiken.

- Persoonlijke beschermingsuitrusting kunnen niet alle risico's uitsluiten maar kunnen de ernst van eventueel letsel helpen beperken. Vraag uw dealer u te helpen bij het kiezen van de juiste beschermingsmiddelen.
- Gebruik gehoorbescherming als het geluidsniveau hoger is dan 85 dB.

- Gebruik zware antisliplaarzen of -schoenen. Draag geen open schoenen en loop niet op blote voeten.
- Draag een lange broek van stevige stof.
- Draag zo nodig beschermende handschoenen, bijvoorbeeld bij het monteren, inspecteren of reinigen van de snijtrusting.

Veiligheidsvoorzieningen op het product



WAARSCHUWING: Lees de volgende waarschuwingen voordat u het product gaat gebruiken.

- Gebruik geen producten met veiligheidsvoorzieningen die beschadigd zijn of niet correct werken.
- Controleer de veiligheidsvoorzieningen regelmatig op een juiste werking. Als de veiligheidsvoorzieningen beschadigd zijn of niet goed werken, neem dan contact op met uw Husqvarna servicedealer.
- Voer geen veranderingen uit aan veiligheidsvoorzieningen.

De kap van het maaidek controleren

De kap van het maaidek vermindert trillingen in het product en vermindert het risico op letsel door het mes.

- Controleer de kap van het maaidek om te zien of er geen schade is, zoals barsten.

Accu (LB 244E)



WAARSCHUWING: Een beschadigde accu vermindert de veiligheid van het product. Gebruik alleen een accu die is goedgekeurd door de fabrikant.

De accu voorziet de elektrische startfunctie van stroom en is een veiligheidsvoorziening die voorkomt dat de motor per ongeluk wordt gestart. Verwijder de accu wanneer u het product niet gebruikt en wanneer u er geen toezicht op houdt.

De remhendel van de motor controleren

De motorrem schakelt de motor uit. Als de remhendel van de motor wordt losgelaten, stopt de motor.

- Start de motor en laat vervolgens de remhendel van de motor los. Als de motor niet binnen 3 seconden stopt, laat u een erkende Husqvarna servicewerkplaats de motorrem afstellen. (Fig. 19)

Geluiddemper

De uitlaatdemper is bedoeld om het geluidsniveau zo laag mogelijk te houden en om de uitlaatgassen weg te voeren van de gebruiker.

Gebruik het product niet als de geluiddemper ontbreekt of beschadigd is. Een beschadigde geluiddemper laat het geluidsniveau stijgen en vergroot het risico van brand.



WAARSCHUWING: De uitlaatdemper wordt erg heet tijdens en na gebruik en wanneer de motor draait bij stationair toerental. Wees voorzichtig in de buurt van brandbare materialen en/of dampen om brand te voorkomen.

Geluiddemper controleren

- Inspecteer de uitlaatdemper regelmatig om te verifiëren of die goed vastzit en niet beschadigd is.

Brandstofveiligheid



WAARSCHUWING: Lees de volgende waarschuwingen voordat u het product gaat gebruiken.

- Start het product niet als er brandstof of motorolie op het product aanwezig is. Verwijder de ongewenste brandstof/olie en laat het product drogen.
- Als u brandstof op uw kleding morst, trek dan direct andere kleding aan.
- Zorg dat er geen brandstof op uw lichaam terecht komt, dit kan letsel veroorzaken. Als er brandstof op uw lichaam terecht komt, verwijder deze dan met water en zeep.
- Start het product niet als er sprake is van een motorlekkage. Controleer de motor regelmatig op lekkage.
- Wees voorzichtig met brandstof. Brandstof is licht ontvlambaar en de dampen zijn explosief. Ze kunnen letsel veroorzaken of leiden tot de dood.
- Adem geen brandstofdampen in, dit kan letsel veroorzaken. Zorg voor voldoende ventilatie.
- Rook niet in de buurt van de brandstof of de motor.
- Plaats geen warme voorwerpen in de buurt van de brandstof of de motor.
- Vul geen brandstof bij wanneer de motor is ingeschakeld.
- Zorg ervoor dat de motor koud is wanneer u brandstof bijvult.
- Draai de tankdop langzaam open en laat de druk voorzichtig ontsnappen voordat u brandstof bijvult.
- Vul geen brandstof voor de motor bij in een afgesloten ruimte. Onvoldoende ventilatie kan leiden tot ernstig letsel of de dood door verstikking of het inademen van koolmonoxide.
- Draai de tankdop volledig aan. Als de tankdop niet volledig is aangedraaid, bestaat een risico op brand.
- Verplaats het product minstens 3 m van de plaats waar u de brandstoftank hebt gevuld, voordat u het product start.

- Vul de brandstoftank niet volledig. Door hitte zet de brandstof uit. Zorg ervoor dat er ruimte overblijft aan de bovenkant van de brandstoftank.
- Wanneer er nog brandstof in de tank zit, mag u het product nooit stallen in een gebouw waar ontstekingsbronnen zoals boilers, verwarmingstoestellen, kledingdrogers en dergelijke aanwezig zijn. Laat de motor afkoelen voordat u het product opslaat in een afgesloten ruimte.

Veiligheidsinstructies voor onderhoud



WAARSCHUWING: Lees de volgende waarschuwingen voordat u het product gaat gebruiken.

- Uitlaatgassen van de motor bevatten koolmonoxide, een geurloos, giftig en uiterst gevaarlijk gas. Start de motor nooit binnenshuis of in gesloten ruimten.
- Voordat u het onderhoud van het product uitvoert, zet u de motor uit en verwijdert u de ontstekingskabel van de bougie. Verwijder bij LB 244E ook de accu.

- Draag beschermende handschoenen wanneer u onderhoud aan de snijuitrusting uitvoert. Het mes is zeer scherp en kan gemakkelijk snijwonden veroorzaken.
- Accessoires en wijzigingen aan het product die niet zijn goedgekeurd door de fabrikant, kunnen leiden tot ernstig letsel of overlijden. Breng geen wijzigingen aan het product aan. Gebruik alleen accessoires die zijn goedgekeurd door de fabrikant.
- Als het onderhoud niet correct en regelmatig wordt uitgevoerd, neemt de kans op letsel of schade aan het product toe.
- Voer alleen onderhoud uit zoals beschreven in deze gebruikershandleiding. Alle overige onderhoudswerkzaamheden moeten worden uitgevoerd door een erkende Husqvarna servicewerkplaats.
- Laat een erkende Husqvarna servicewerkplaats regelmatig onderhoud aan het product uitvoeren.
- Vervang beschadigde, versleten of defecte onderdelen.

Montage

Inleiding



WAARSCHUWING: Voordat u het product gaat monteren, dient u het hoofdstuk over veiligheid te lezen en hebben begrepen.



WAARSCHUWING: Verwijder de bougiekabel van de bougie voordat u het product monteert.

2. Draai de knoppen van de hendel aan. (Fig. 21)

Hoogte van de hendel afstellen

1. Zorg ervoor dat de hoogte-instellingsbeugel in de groef zit. Druk de hoogte-instellingsbeugel met uw voet omlaag als de hoogte-instellingsbeugel niet in de groef zit. (Fig. 22)
2. Druk de hoogte-instellingsbeugel in met uw voet.
3. Zet de handgreep in de juiste positie en laat de handgreep los. (Fig. 23)

De hendel monteren

1. Trek de hendel naar achteren tot deze in de eindpositie staat. (Fig. 20)

Werking

Inleiding



WAARSCHUWING: Voordat u het product gaat gebruiken, dient u het hoofdstuk over veiligheid te lezen en hebben begrepen.

- Informatie over, en hulp bij, onderdelen en onderhoud van uw product.

Husqvarna Connect gebruiken

1. Download de Husqvarna Connect-app op uw mobiele apparaat.
2. Registreer in de Husqvarna Connect-app.
3. Volg de instructies in de Husqvarna Connect-app om verbinding te maken met het product en dit te registreren.

Husqvarna Connect

Husqvarna Connect is een gratis app voor uw mobiele apparaat. De Husqvarna Connect-app biedt uitgebreide functies voor uw Husqvarna-product:

- Uitgebreide productinformatie.

Voordat u het product gaat bedienen

1. Lees de gebruikershandleiding zorgvuldig door en zorg dat u de instructies hebt begrepen.
2. Controleer de snijuitrusting om te zien of deze correct is gemonteerd en afgesteld. Zie *Snijuitrusting controleren op pagina 245*.
3. Controleer het oliepeil en vul indien nodig motorolie bij. Zie *Oliepeil controleren op pagina 246*.
4. Vul de brandstoftank. Zie *Brandstof bijvullen op pagina 243*.

Brandstof bijvullen

Gebruik, indien beschikbaar, benzine met een lage emissiegraad/alkylaatbrandstof. Als er geen emissiearme benzine of alkylaatbrandstof beschikbaar is, gebruik dan een loodvrije benzine van goede kwaliteit, of loodhoudende benzine met een octaangetal dat niet lager is dan 91.



OPGELET: Gebruik geen benzine met een octaangetal lager dan 91 RON. Dit kan schade aan het product veroorzaken.



OPGELET: Vervang het brandstoffilter jaarlijks of vaker, indien nodig. Een nieuw brandstoffilter is verkrijgbaar bij uw Husqvarna-dealer.



OPGELET: Schakel de motor altijd uit voordat u brandstof bijvult.



OPGELET: Gebruik geen startvloeistoffen onder druk.

1. Draai de brandstoftankdop langzaam los om de druk te laten ontsnappen.
2. Vul langzaam met een benzinejerrycan. Als u brandstof morst, verwijder deze dan met een doek en laat de resterende brandstof opdrogen. (Fig. 24)
3. Maak het gebied rondom de brandstoftankdop goed schoon.
4. Draai de tankdop volledig aan. Als de tankdop niet volledig is aangedraaid, bestaat een risico op brand.
5. Verplaats het product minstens 3 m van de plaats waar u de brandstoftank hebt gevuld, voordat u het product start.

Product in de werkstand zetten

1. De hendel monteren. Zie *De hendel monteren op pagina 242*.
2. Stel de hendelhoogte af. Zie *Hoogte van de hendel afstellen op pagina 242*.



OPGELET: Zorg ervoor dat de kabels niet te strak gespannen zijn. Een kabel die te strak gespannen staat, kan beschadigd raken als de hendel in de transportstand wordt geklapt.



WAARSCHUWING: Gebruik het product niet als de hendel niet volledig is opgeklapt en in een van de toepasselijke hoogteposities is gezet. Zie *Hoogte van de hendel afstellen op pagina 242*.

Maaihoogte afstellen

De maaihoogte is in 6 stappen verstelbaar.

1. Stop de motor.
2. Breng de maaihoogtehendel naar achteren om de maaihoogte te vergroten. (Fig. 25)
3. Breng de maaihoogtehendel naar voren om de maaihoogte te verkleinen.



OPGELET: Stel de maaihoogte niet te laag in. Als het oppervlak van het gazon niet waterpas is, kunnen de messen de grond raken.

Product starten

- Controleer of de ontstekingskabel is verbonden met de bougie.

Handmatig starten (LB 144)

1. Blijf achter het product.
2. Houd de motorremhendel tegen de bovenste handgreep. (Fig. 26)
3. Houd het startkoord in uw rechterhand.
4. Trek het startkoord langzaam naar buiten totdat u enige weerstand voelt.
5. Krachtig trekken om de motor te starten.



WAARSCHUWING: Wikkel het startkoord niet rond uw hand.

Elektrische startfunctie (LB 244E)

1. Zorg ervoor dat de accu is opgeladen. Raadpleeg *Accuonderhoud (LB 244E) op pagina 247*.
2. Sluit de accu aan op de motor. De accu is in positie vergrendeld als u een klik hoort. (Fig. 27)
3. Blijf achter het product en houd de motorremhendel (A) tegen de bovenste hendel. (Fig. 28)
4. Houd de elektrische startknop (B) gedurende 3-5 seconden ingedrukt. De motor start.

Let op: Als de motor niet start, wacht dan 1 minuut en probeer het product opnieuw te starten.

Product stoppen

- Als u de motor wilt stoppen, laat u de motorremhendel los.

De accu verwijderen (LB 244E)

Om te voorkomen dat de motor per ongeluk wordt gestart, verwijdert u de accu wanneer u het product niet gebruikt.

- Druk de vergrendelknop (A) in en trek de accu er recht uit. (Fig. 29)

Een goed resultaat verkrijgen

- Gebruik altijd een scherp mes. Een bot mes geeft een onregelmatig resultaat en het snijvlak van het gras wordt geel. Een scherp mes verbruikt ook minder energie dan een bot mes.

- Maai nooit meer dan 1/3e van de lengte van het gras af. Maai eerst met een hoog ingestelde maaahoogte. Controleer het resultaat en verlaag de snijhoogte tot een geschikt niveau. Als het gras echt lang is, rijd dan langzaam en maai zo nodig 2 keer.
- Maai elke keer in een andere richting, om het ontstaan van strepen in het gazon te voorkomen.
- Houd de kap van het maaidek schoon. Door ophoping van gras en vuil aan de binnenkant van de kap van het maaidek kunnen de maaieresultaten verminderen. Zie *Binnenoppervlak van de kap van het maaidek reinigen op pagina 245*.

Onderhoud

Inleiding



WAARSCHUWING: Voordat u onderhoud gaat uitvoeren, dient u het hoofdstuk over veiligheid te lezen en hebben begrepen.

Voor alle onderhouds- en reparatiewerkzaamheden aan het product is speciale training nodig. Wij garanderen de beschikbaarheid van professionele reparaties en onderhoud. Indien uw dealer geen servicewerkplaats heeft, vraag hem dan naar de dichtstbijzijnde servicewerkplaats.

Zie www.husqvarna.com voor meer gedetailleerde informatie.

Onderhoudsschema



OPGELET: Zorg ervoor dat het luchtfilter aan de bovenkant zit en de grond niet raakt wanneer u het product kantelt. Risico van schade aan de motor.



OPGELET: Verwijder bij modellen met elektrische start altijd de accu voordat u onderhoudswerkzaamheden of reparaties uitvoert of het product reinigt.

De onderhoudsintervallen worden berekend op basis van het dagelijks gebruik van het product. De intervallen veranderen als het product niet dagelijks wordt gebruikt.

Voor onderhoud dat is gemarkeerd met *: zie de instructies in *Veiligheidsvoorzieningen op het product op pagina 241*.

Onderhoud	Elke dag	Maandelijks	Elk seizoen
Algemene inspectie uitvoeren	X		
Motoroliepeil controleren	X		
De olie verversen (de eerste keer na 5 uur gebruik, vervolgens na elke 50 uur gebruik) ¹⁰⁶			X

¹⁰⁶ Als het product wordt gebruikt onder zware belasting of bij hoge omgevingstemperaturen, moet de motorolie om de 25 uur worden verversd.

Onderhoud	Elke dag	Maandelijks	Elk seizoen
Product reinigen	X		
Reinig het gebied rondom de hoogte-instellingsbeugel	X		
Snijuitrusting controleren	X		
Kap van het maaidek controleren *	X		
Motorremhendel controleren *	X		
Geluiddemper controleren *		X	
Controleer de bougie. Reinig of vervang de bougie indien nodig			X
Luchtfilter controleren	X		
Reinig het luchtfilter ¹⁰⁷		X	
Vervang het luchtfilter			X
Brandstofsysteem controleren			X
Reinig de koelvinnen op de cilinder		X	

Algemene inspectie uitvoeren

- Controleer of alle moeren en schroeven op het product goed zijn vastgedraaid.

Product aan de buitenkant reinigen

- Gebruik een borstel om bladeren, gras en vuil te verwijderen.
- Zorg dat de luchtinlaat op de bovenkant van de motor niet is geblokkeerd.
- Reinig het product niet met een hogedrukspuit.
- Als u water gebruikt om het product te reinigen, spuit dan geen water rechtstreeks op de motor.

Het gebied rondom de hoogte-instellingsbeugel reinigen

- Gebruik een borstel om bladeren, gras en vuil te verwijderen.
(Fig. 30)

Binnenoppervlak van de kap van het maaidek reinigen

- Leeg de brandstoftank.
- Kantel het product. Zorg ervoor dat de bougie omhoog wijst.



OPGELET: Als het product met het luchtfilter naar beneden wordt geplaatst, kan de motor beschadigd raken.

- Spuit de binnenkant van het maaidek schoon met water.

Snijuitrusting controleren



WAARSCHUWING: Verwijder de ontstekingskabel van de bougie om te voorkomen dat de motor per ongeluk wordt gestart.



WAARSCHUWING: Draag beschermende handschoenen wanneer u onderhoud aan de snijuitrusting uitvoert. Het mes is zeer scherp en kan gemakkelijk snijwonden veroorzaken.

- Controleer de snijuitrusting op beschadiging of scheuren. Vervang beschadigde snijuitrusting altijd.
- Kijk naar het mes om te zien of dit is beschadigd of bot is.

Let op: Het mes moet na het slijpen worden gebalanceerd. Laat het slijpen, vervangen en balanceren door een servicecentrum uitvoeren. Als u een obstakel raakt waardoor het product stopt, vervang dan het beschadigde mes. Laat het servicecentrum beoordelen of het mes kan worden geslepen of moet worden vervangen.

Mes vervangen

- Zet het mes vast met een houten blok. (Fig. 31)
- Verwijder de mesbout en de veerring.
- Verwijder het mes.

¹⁰⁷ Reinig vaker onder stoffige omstandigheden of wanneer er vuil in de lucht aanwezig is. Vervang het luchtfilter als het erg vuil is.

4. Controleer de messteun en de mesbout om te zien of er schade is.
5. Controleer de motoras om te controleren of deze niet is verbogen.
6. Wanneer u het nieuwe mes bevestigt, richt dan de gebogen uiteinden van het mes naar de kap van het maaidek. (Fig. 32)
7. Controleer of het mes is uitgelijnd met het midden van de motoras.
8. Zet het mes vast met een houten blok. Bevestig de veerring en draai de bout en ring vast met een aanhaalmoment van 44-46 Nm. (Fig. 33)
9. Draai het mes met de hand rond en controleer of het vrij draait.



WAARSCHUWING: Draag handschoenen van dikke stof. Het mes is zeer scherp en kan gemakkelijk snijwonden veroorzaken.

10. Start het product om het mes te testen. Als het mes niet goed is bevestigd, zijn er trillingen in het product of is het maieresultaat niet goed.

Oliepeil controleren



OPGELET: Een te laag oliepeil kan ernstige schade aan de motor veroorzaken. Voer een controle van het oliepeil uit voordat u het product start.

1. Zet het product op een vlakke ondergrond.
2. Verwijder de olietankdop met de bijgevoegde peilstok.
3. Veeg de olie van de peilstok.
4. Steek de peilstok volledig in de olietank.
 - a) Draai de olietankdop niet vast op LB 144.
 - b) Plaats de olietankdop op LB 244E.
5. Verwijder de olietankdop en de peilstok.
6. Controleer het oliepeil op de bevestigde peilstok.
7. Als het oliepeil laag is, vult u bij met motorolie en controleert u het oliepeil opnieuw. (Fig. 34)

Let op: Gebruik een trechter om morsen te voorkomen.

8. Plaats de dop van de olietank wanneer het oliepeil correct is.

De motorolie verversen



WAARSCHUWING: Motorolie is nog erg heet direct nadat de motor is uitgezet. Laat de motor afkoelen voordat u de motorolie aftapt. Als u motorolie morst op uw huid, was die dan af met water en zeep.

(Fig. 35)

1. Gebruik het product totdat de brandstoftank leeg is.
2. Verwijder de ontstekingskabel van de bougie.
3. Verwijder de olietankdop met de bijgevoegde peilstok.
4. Plaats een opvangbak onder het product om de motorolie in op te vangen.
5. Kantel het product of tap de motorolie af uit de olietank met een oliepomp (accessoire).
6. Vul bij met nieuwe motorolie van het type dat wordt aanbevolen in *Technische gegevens op pagina 250*.
7. Controleer het oliepeil. Zie *Oliepeil controleren op pagina 246*.
8. Plaats de dop van de olietank wanneer het oliepeil correct is.

Luchtfilter

Een vuil luchtfilter kan de motor beschadigen of ervoor zorgen dat deze niet goed werkt. Onderhoud het luchtfilter vaker in stoffige omstandigheden. Zie *Onderhoudsschema op pagina 244* voor informatie over het vervangen van het luchtfilter.

Let op: Vervang een beschadigd luchtfilter altijd.

Het luchtfilter (LB 244E) verwijderen en monteren



WAARSCHUWING: Draag veiligheidshandschoenen.

1. Duw de klemmen op het luchtfilterdeksel.
2. Verwijder voorzichtig het luchtfilterdeksel (A) van de motor.
3. Verwijder het luchtfilter (B). (Fig. 36)
4. Controleer het luchtfilter op beschadigingen. Vervang een beschadigd luchtfilter.
5. Reinig en controleer het luchtfilter. Zie *Het luchtfilter reinigen (LB 244E) op pagina 246*.
6. Monteer in omgekeerde volgorde van verwijderen.

Het luchtfilter reinigen (LB 244E)

Een vuil luchtfilter kan de motor beschadigen of ervoor zorgen dat deze niet goed werkt. Onderhoud de luchtreiniger vaker in stoffige omstandigheden.

Raadpleeg *Onderhoudsschema op pagina 244* voor informatie over het vervangen van het luchtfilter.

1. Verwijder het luchtfilterdeksel en verwijder het filter.
2. Reinig het filter door het uit te kloppen op een plat oppervlak. Gebruik geen oplosmiddelen met aardolie, kerosine of perslucht om het filter te reinigen.

Let op: Luchtfilters die lange tijd zijn gebruikt, kunnen niet volledig worden gereinigd. Vervang het luchtfilter regelmatig. Beschadigde luchtfilters moeten altijd vervangen worden.

3. Zorg er bij het monteren van het luchtfilter voor dat het volledig tegen de filterhouder zit.

Kunststof schuimfilter reinigen (LB 144)



OPGELET: Start de motor niet zonder de luchtfilters. De slijtage van de motor neemt toe als de lucht vuil is.

1. Verwijder het luchtfilterdeksel (A). (Fig. 37)
2. Verwijder de kunststof schuimfilters (B).



OPGELET: Controleer de kunststof schuimfilters op schade of slijtage. Vervang alle beschadigde kunststof schuimfilters.

3. Reinig de kunststof schuimfilters met water en zeep.
4. Spoel de kunststof schuimfilters af in schoon water.
5. Knijp het water uit de kunststof schuimfilters en laat ze drogen.



OPGELET: Gebruik geen perslucht. Dit kan het kunststof schuimfilter beschadigen.

6. Smeer de kunststof schuimfilters met motorolie.
7. Duw een schone doek tegen het kunststof schuimfilter om overtollige olie te verwijderen.
8. Monteer de kunststof schuimfilters. Zorg ervoor dat de kunststof schuimfilters volledig tegen de luchtfilterhouder aanligt.
9. Breng het luchtfilterdeksel aan.

Accuonderhoud (LB 244E)

De accu is onderhoudsvrij. Laat alleen een erkend servicebedrijf onderhoud aan de accu uitvoeren als dat nodig is.

De accu voor de eerste keer gebruiken (LB 244E)



OPGELET: Laat de accu niet leeg raken. Als de accu leeg raakt, kan dit schade aan de accu veroorzaken.

U moet de accu opladen voor het eerste gebruik.

1. Sluit de acculader aan op de accu, zie *De accu opladen (LB 244E) op pagina 247*.
2. Wacht totdat er minimaal 1 groene led gaat branden.
3. Sluit de accu aan op de motor, zie *Elektrische startfunctie (LB 244E) op pagina 243*.

De accu opladen (LB 244E)

Als slechts 1 of 0 indicatielampjes op de accu branden, moet u de accu opladen. Een lege accu wordt in 2 uur volledig opgeladen. De accu raakt niet beschadigd wanneer deze kortere periodes wordt opgeladen.

1. Sluit de acculader aan op de accu. (Fig. 38)
2. Sluit de acculader aan op een stopcontact, 100-240 V, 50-60 Hz.
3. Haal eerst de oplader uit het stopcontact en haal daarna de oplader uit de accu.

Status van acculader

Led-display op de accu	Status
Led 1 knippert rood.	1%-9%
Led 1 is constant rood.	10%-32%
Led 1 is groen en led 2 is rood.	33%-54%
Led 1 en 2 zijn groen en led 3 is rood.	55%-77%
Led 1, 2 en 3 zijn groen en led 4 is rood.	78%-100%

Indicatielampje op de acculader	Status
Constant brandend rood lampje	De accu wordt opgeladen.
Constant brandend groen lampje	De accu is volledig opgeladen.

De bougie controleren



OPGELET: Gebruik altijd het juiste bougietype. Een verkeerd type bougie kan schade aan het product veroorzaken.

- Controleer de bougie als de motor weinig vermogen heeft, niet gemakkelijk te starten is of stationair niet goed draait.
- Volg deze instructies om het risico van ongewenst materiaal op de elektroden van de bougie te beperken:
 - a) Zorg ervoor dat het stationair toerental altijd juist is afgesteld.
 - b) Zorg dat het brandstofmengsel correct is.
 - c) Zorg dat het luchtfilter schoon is.
- Maak de bougie schoon als deze vuil is en controleer of de afstand tussen de elektroden correct is, zie *Technische gegevens op pagina 250*. (Fig. 39)
- Vervang de bougie indien nodig.

Brandstofsysteem controleren

- Controleer de brandstoftankdop en de afdichting van de brandstoftankdop om te zien of er geen schade is.
- Controleer de brandstofslang om te controleren of er geen lekken zijn. Als de brandstofslang beschadigd is, laat deze dan door een servicemonteur vervangen.

De brandstoftank aftappen

1. Plaats een opvangbak onder de brandstoftank.
2. Verwijder de brandstoftankdop.
3. Duw de slangklemmen op de brandstofleiding tegen de carburateur.
4. Koppel de brandstofleiding van de carburateur los.
5. Plaats de slang van de brandstoftank in de opvangbak en verwijder de slangklemmen.
6. Kantel het product en laat de brandstof in de opvangbak lopen.

Het brandstoffilter vervangen



WAARSCHUWING: Draag veiligheidshandschoenen.

1. Tap de brandstoftank af.
2. Plaats de slangklem uit de buurt van de brandstoftank. (Fig. 40)
3. Verwijder de brandstofleiding van de brandstoftank. Er kan een kleine hoeveelheid brandstof weglekken. (Fig. 41)
4. Verwijder het brandstoffilter van de brandstoftank. (Fig. 42)
5. Plaats een nieuw brandstoffilter in de brandstoftank.
6. Breng de brandstofleiding op de brandstoftank aan.
7. Plaats de slangklem tegen de brandstoftank.

Stringzoeken in de motor

Probleem	Mogelijke oorzaak	Oplossing
De motor start niet.	De ontstekingskabel is niet correct aangesloten.	Sluit de ontstekingskabel aan op de bougie.
	De brandstoftank is leeg.	Vul de brandstoftank met het juiste type brandstof.
	De brandstof is oud.	Tap de brandstoftank en de carburateur af. Vul bij met nieuwe benzine.
	Vuil in de carburateur of brandstofleiding.	Reinig de carburateur en/of brandstofleiding.
	De bougie is beschadigd.	Pas de elektrodenafstand aan of reinig of vervang de bougie.
	Er zit brandstof op de bougie.	Reinig de bougie.
De motor stopt niet.	Het stopmechanisme werkt niet goed.	Ontkoppel de ontstekingskabel van de bougie. Laat onderhoud aan het product uitvoeren door een erkende servicewerkplaats.

Probleem	Mogelijke oorzaak	Oplossing
De motor loopt niet gelijkmatig.	De ontstekingskabel is niet correct aangesloten.	Sluit de ontstekingskabel aan op de bougie.
	De brandstofleiding is verontreinigd of de brandstof is verouderd.	Maak de brandstoftank schoon. Vul de brandstoftank met nieuwe brandstof van het juiste type.
	De brandstoftankdop is verstopt.	Reinig de brandstoftankdop.
	Er is water of vuil in het brandstofsysteem.	Tap de brandstoftank af. Vul de brandstoftank met nieuwe brandstof van het juiste type.
	Het luchtfilter is vuil.	Maak het luchtfilter schoon.
	De carburateur moet worden afgesteld.	Laat de carburateur afstellen door een servicedealer.
De motor wordt te heet.	Het motoroliepeil is te laag.	Vul motorolie bij.
	De luchtstroom is onvoldoende.	Reinig het luchtfilter en het luchtfilterhuis.
	De carburateur moet worden afgesteld.	Laat de carburateur afstellen door een servicedealer.
De motor slaat over wanneer deze op hoge snelheid draait.	De elektrodenafstand van de bougie is te klein.	Stel de elektrodenafstand af.
Ongewone geluiden van de motor tijdens normale belasting.	Verkeerd type benzine.	Tap de brandstoftank en de carburateur af. Vul bij met nieuwe benzine. Raadpleeg <i>Brandstofsysteem controleren op pagina 248</i> . Indien het probleem zich blijft voordoen, neem dan contact op met uw plaatselijke servicedealer.
De motor draait niet soepel bij stationair toerental.	De bougie is vervuild, beschadigd of de elektrodenafstand is te groot.	Pas de elektrodenafstand aan of vervang de bougie.
	De carburateur moet worden afgesteld.	Stel de carburateur af.
	Het luchtfilter is vuil.	Maak het luchtfilter schoon.

Vervoer, opslag en verwerking

Transport en opslag

- Controleer voor opslag en vervoer van het product en de brandstof of er geen lekken of dampen zijn. Vonken of open vuur, bijvoorbeeld van elektrische apparaten of ketels, kunnen tot brand leiden.
- Gebruik altijd goedgekeurde containers voor opslag en transport van brandstof.
- Leeg de brandstoftank voordat u het product voor langere tijd opslaat. De brandstof via een geschikte verwijderingslocatie afvoeren
- Zet het product tijdens het vervoer veilig vast om schade en ongevallen te voorkomen.

- Bewaar het product in een afgesloten ruimte om toegang door kinderen of onbevoegde personen te verhinderen.
- Bewaar het product in een droge en vorstvrije ruimte.

Product in de transportstand zetten

- Draai de hendelknoppen los. (Fig. 43)
- Klap de hendel naar voren totdat deze de eindpositie heeft bereikt. (Fig. 44)

Transport en opslag voor accu en oplader

- Verwijder de accu pas als het product stilstaat en afgekoeld is. Om de accu te verwijderen, houdt u de knop bovenop de accu ingedrukt en verwijdert u deze uit de sleuf.
- Als de opslagtijd meer dan 30 dagen is, laadt u de accu op totdat deze meer dan 3 groene lampjes heeft.
- Laad de accu één keer per 3 maanden op om schade aan de accu te voorkomen.
- De accu en de acculader moeten worden bewaard tussen 5 °C en 40 °C. Hogere temperaturen of bronnen van hoge temperatuur, zoals vuur, kunnen de accu beschadigen.
- Demonteer de accu niet.
- Dompel de accu niet volledig onder in water. Plaats de accu in een koele en droge omgeving met een goede luchtstroom.

- Als de accu ruikt, heet is of als de hitte vervorming van de accu veroorzaakt tijdens gebruik, opslag of opladen, verwijder de accu dan en gebruik deze niet.
- Zorg ervoor dat de accu of acculader tijdens het transport is bevestigd om schade te voorkomen.
- Zorg ervoor dat de acculader niet te heet wordt.

Afvoeren

- Neem de plaatselijk geldende wet- en regelgeving voor recycling in acht.
- Voer alle chemicaliën, zoals olie of antivries, af via een servicecentrum of een geschikte verwijderingslocatie.
- Wanneer het product niet langer in gebruik is, stuur het dan naar een Husqvarna dealer of voer het af via een recyclingslocatie.
- Lever de accu in bij een servicecentrum of bij een bedrijf dat oude accu's verwerkt.

Technische gegevens

Technische gegevens

	LB 144	LB 244E
Motor		
Merk	Husqvarna	Husqvarna
Model	HS 123A	HS 139AE
Motorstype	Enkelvoudige cilinder, 4-takt, geforceerde luchtkoeling, OHV	Enkelvoudige cilinder, 4-takt, geforceerde luchtkoeling, OHV
Cilinderinhoud, cm ³	123	139
Motortoerental – nominaal, tpm	3000/min	2900/min
Nominaal motorvermogen, kW ¹⁰⁸	1,95	2,2
Ontstekingsstelsel		
Bougie	Husqvarna HQT-7	Husqvarna HQT-7
Elektrodenafstand, mm	0,7-0,8	0,7-0,8
Brandstof-/smeersysteem		
Type motorsmeermiddel	Spatten	Spatten
Inhoud brandstoftank, l	0,9	0,9

¹⁰⁸ Het aangegeven nominale vermogen van de motor heeft betrekking op het gemiddelde nettovermogen (bij het opgegeven toerental) van een typische productiemotor voor het betreffende motormodel, gemeten volgens de SAE-norm J1349/ISO1585. In massa geproduceerde motoren kunnen een afwijkende waarde geven. Het werkelijk geleverde vermogen van de geïnstalleerde motor in het product hangt af van de bedrijfsnelheid, de omgevingscondities en andere waarden.

	LB 144	LB 244E
Inhoud olietank, liter	0,5	0,5
Motorolie ¹⁰⁹	Husqvarna SAE 30, Husqvarna SAE 5W-30 Synthetic, Husqvarna SAE 10W-40	Husqvarna SAE 30, Husqvarna SAE 5W-30 Synthetic, Husqvarna SAE 10W-40
Gewicht		
Met lege tanks, kg	22	23,5
Geluidsemissies ¹¹⁰		
Geluidsvermogensniveau, gemeten dB(A)	91	92
Geluidsvermogensniveau, gegarandeerd L _{WA} dB (A)	94	94
Geluidsniveaus ¹¹¹		
Geluidsdruk niveau bij het oor van de gebruiker, dB (A)	79	80
Trillingsniveau ¹¹²		
Trillingen bovenste hendel, m/s ²	7,6	6,0
Snijuitrusting		
Maaihoogte, mm	25-75	25-75
Maai breedte, mm	440	440
Maaisysteem	Bioclip®	Bioclip®
Blad - standaard	Mulch 5464584-10	Mulch 5464584-10
Startsysteem		
Elektrische startmotor	Nee	Ja
Accu	-	Li-ion, 10,8 V/21,6 Wh

¹⁰⁹ Gebruik motorolie van kwaliteit API SJ of hoger. Als SAE-30 olie wordt gebruikt bij een temperatuur lager dan +5 °C bestaat het risico dat de motor niet voldoende wordt gesmeerd. Dit kan leiden tot schade aan de motor. Zie *De motorolie verversen op pagina 246* voor de juiste olie voor lage temperaturen. Zie het viscositeitsoverzicht in de handleiding van de motor (indien aanwezig) en selecteer de beste viscositeit op basis van de verwachte buitentemperatuur.

¹¹⁰ Geluidsemissie naar de omgeving gemeten als geluidsvermogen (L_{WA}) volgens EG-richtlijn 2000/14/EG.

¹¹¹ De gerapporteerde gegevens voor het geluidsdruk niveau vertonen een typische statistische spreiding (standaardafwijking) van 1,2 dB (A).

¹¹² De gerapporteerde gegevens voor een trillingsniveau vertonen een typische statistische spreiding (standaardafwijking) van 0,2 m/s².

Verklaring van overeenstemming

EU-verklaring van overeenstemming

Wij, **Husqvarna AB**, SE-561 82 Huskvarna,
Zweden, tel: +46-36-146500, verklaren onder onze
alleenverantwoordelijkheid dat het product:

Beschrijving	Gazonmaaier
Merk	Husqvarna
Type / model	LB 144, LB 244E
Identificatie	Serienummers vanaf 2023 en verder

volledig voldoet aan de volgende EU-richtlijnen en
-regelgeving:

Verordening	Beschrijving
2006/42/EG	"betreffende machines"
2014/30/EU	"betreffende elektromagnetische compatibiliteit"
2000/14/EG	"betreffende de geluidsemissies in het milieu"
2011/65/EU	"inzake beperking van het gebruik van bepaalde gevaarlijke stoffen in elektrische en elektro- nische apparatuur"

en dat de volgende normen en/of
technische specificaties zijn toegepast:
EN ISO 5395-1:2013+A1:2018, EN ISO
5395-2:2013+A1:2016+A2:2017, EN IEC 63000:2018,
EN ISO 14982:2009

Aangemelde instantie: 0404, SMP Svensk
Maskinprovning AB, Box 4053, SE-904 03 Umeå,
Sweden is gecertificeerd conform Richtlijn 2000/14/EG
van de Raad, beoordelingsprocedure voor conformiteit:
Bijlage VI.

Voor informatie over geluidsemissies, zie *Technische
gegevens op pagina 250*.

Huskvarna, 2023-09-18



Claes Losdal, Development Manager/Garden Products,
Husqvarna AB

Verantwoordelijk voor technische documentatie



INNHold

Innledning.....	253	Feilsøking på motoren.....	262
Sikkerhet.....	254	Transport, oppbevaring og avhending.....	263
Montering.....	257	Tekniske data.....	264
Drift.....	257	Samsvarserklæring.....	266
Vedlikehold.....	258		

Innledning

Produktbeskrivelse

Produktet er en roterende skyveggressklipper som bruker BioClip for å klippe gresset til gjødsel.

Produktoversikt

(Fig. 1)

1. Motorbremseshåndtak
2. Håndtak/styrestang
3. Håndtak på startsnoren (LB 144)
4. Spak for regulering av klippehøyde
5. Oljetanklokk og peilepinne
6. Lyddemper
7. Tennplugg
8. Løftehåndtak
9. Høydejusteringsbøyle for håndtaket
10. Drivstofflokk
11. Luftfilter
12. Klippedeksel
13. Blad
14. Sprengskive
15. Knivbolt
16. Batteri, sikkerhetsanordning (LB 244E)
17. Elektrisk starterknapp (LB 244E)
18. Bruksanvisning

Symboler på produktet

- (Fig. 2) **ADVARSEL!** Vær forsiktig, og bruk produktet riktig. Dette produktet kan føre til alvorlig personskade eller død for operatøren eller andre.
- (Fig. 3) Les nøye gjennom bruksanvisningen og forsikre deg om at du har forstått instruksjonene før bruk.
- (Fig. 4) Se opp for gjenstander som slynges ut og rikosjetterer.
- (Fig. 5) Hold personer og dyr på trygg avstand fra arbeidsområdet.

Bruksområder

Bruk produktet til å klippe gress. Ikke bruk produktet til andre oppgaver.

- (Fig. 6) Advarsel: Hold hender og føtter borte fra den roterende kniven.
- (Fig. 7) Advarsel: Hold hender og føtter borte fra bevegelige deler.
- (Fig. 8) Stopp motoren og fjern tenningskabelen før det utføres reparasjoner eller vedlikehold.
- (Fig. 9) Dette produktet er i overensstemmelse med gjeldende EU-direktiver.
- (Fig. 10) Støyutslipp til omgivelsene som i EU-direktiver og forskrifter, britiske direktiver og forskrifter og New South Wales-forskriften «Protection of the Environment Operations (Noise Control) Regulation 2017». Garantert lydeffektnivå for produktet er angitt i *Tekniske data på side 264* og på etiketten.
- (Fig. 11) Dette produktet samsvarer med gjeldende britiske direktiver.
- (Fig. 12) Brannfare.
- (Fig. 13) Unngå å puste inn avgasser. Avgassene fra motoren inneholder karbonmonoksid, som er en luktfri, giftig og svært farlig gass. Ikke start motoren innendørs eller i lukkede rom.
- (Fig. 14) Varm overflate.
- (Fig. 16) Fyll motoren med olje før du starter produktet.

- (Fig. 17) Startprosedyre for LB 144:
Skyv motorbremsehåndtaket ned, og trekk i startsnoren.
- (Fig. 18) Startprosedyre for LB 244E:
Skyv motorbremsehåndtaket ned, og trykk på startknappen.

(Fig. 15) Kode som kan skannes.

Merk: Øvrige symboler/klistremerker på produktet gjelder sertifiseringskrav for andre markeder.

Skader på produktet

Vi er ikke ansvarlige for skader på produktet vårt hvis:

- Produktet er reparert på feil måte.
- Produktet er reparert med deler som ikke kommer fra produsenten eller som ikke er godkjent av produsenten.
- Produktet har et tilbehør som ikke kommer fra produsenten eller som ikke er godkjent av produsenten.
- Produktet er ikke reparert på et godkjent servicesenter eller av en godkjent aktør.

Euro V-utslipp



ADVARSEL: Tukling med motoren opphever EU-type-godkjenningen til dette produktet.

Sikkerhet

Sikkerhetsdefinisjoner

Advarsler, oppfordringer og merknader brukes for å understreke spesielt viktige deler av bruksanvisningen.



ADVARSEL: Brukes hvis det er fare for personskade eller død for brukeren eller andre personer om instruksjonene i håndboken ikke følges.



OBS: Brukes hvis det er fare for skade på produktet, annet materiell eller nærliggende områder om instruksjonene i håndboken ikke følges.

Merk: Brukes for å gi mer nødvendig informasjon for en spesifikk situasjon.

Generelle sikkerhetsinstruksjoner



ADVARSEL: Les de følgende advarselsinstruksjonene før du bruker produktet.

- Dette produktet er farlig hvis det brukes feil, eller hvis du ikke er forsiktig. Personskade eller død kan forekomme hvis du ikke følger sikkerhetsinstruksjonene.
- Dette produktet danner et elektromagnetisk felt når det er i bruk. Dette feltet kan under visse forhold forstyrre aktive eller passive medisinske implantater. For å redusere faren for hendelser som kan føre til alvorlig eller livstruende skade, anbefaler vi at personer med medisinske implantater rådfører seg med lege og produsenten av det medisinske implantatet før dette produktet tas i bruk.

- Vær alltid forsiktig, og bruk sunn fornuft. Hvis du ikke er sikker på hvordan du skal bruke produktet i en bestemt situasjon, må du stoppe og snakke med Husqvarna-forhandleren før du fortsetter.
- Husk at brukeren er ansvarlig for ulykker som involverer andre personer eller deres eiendom.
- Hold produktet rent. Sørg for at du kan lese skilt og merker.
- Ikke la en person bruke produktet med mindre du forsikrer deg om at de har lest og forstått innholdet i bruksanvisningen.
- Ikke la barn bruke produktet.
- Hold barn borte fra arbeidsområdet. En ansvarlig voksen må alltid være til stede.
- Ikke la en person uten kunnskap om instruksjonene bruke produktet.
- Hold alltid øye med personer med redusert fysisk eller mental kapasitet når de bruker produktet. En ansvarlig voksen må alltid være til stede.
- Ikke bruk produktet dersom du er trett eller syk eller under påvirkning av alkohol, andre rusmidler eller medisiner. Disse tingene har en negativ effekt på synet, vurderingsevnen og dømmekraften din.
- Ikke bruk et produkt som er skadet eller ikke fungerer som det skal.
- Ikke modifier dette produktet, og ikke bruk det dersom det er mulig at andre har modifisert det.
- Ikke endre justeringen for turtallsreguleringen.

Sikkerhet i arbeidsområdet



ADVARSEL: Les de følgende advarslene før du bruker produktet.

- Fjern gjenstander som greiner, kvister og steiner fra området før du bruker produktet.

- Gjenstander som treffer skjæreutstyret, kan slynges ut og forårsake skade på personer og gjenstander. Hold tilskuere og dyr på trygg avstand fra produktet.
- Bruk aldri produktet i dårlig vær, for eksempel i tåke, regn, sterk vind, sterk kulde, eller ved fare for lyn. Det er slitsomt å bruke produktet i dårlig vær eller på fuktige eller våte steder. Dårlig vær kan forårsake farlige forhold, for eksempel glatt underlag.
- Hold utkikk etter personer, objekter og situasjoner som kan forhindre sikker bruk av produktet.
- Se etter hindringer, for eksempel røtter, steiner, kvister, fordypninger og grøfter. Høyt gress kan skjule hindringer.
- Det kan være farlig å klippe gress i skråninger. Ikke bruk produktet i skråninger som heller mer enn 15 grader.
- Bruk produktet på tvers av skråninger. Ikke gå opp og ned.
- Vær forsiktig når du nærmer deg skjulte hjørner eller gjenstander som blokkerer sikten.
- Unngå å vippe produktet opp mens motoren er i gang.
- Vær forsiktig når du trekker produktet bakover.
- Du må aldri løfte produktet når motoren er i gang. Hvis du må løfte produktet, må du først stoppe motoren og koble tenningskabelen fra tennpluggen.
- Ikke gå bakover når du bruker produktet.
- Stopp motoren når du går over områder uten gress, for eksempel gangveier av grus, stein og asfalt.
- Ikke løp med produktet når motoren er på. Du må alltid gå mens du bruker produktet.
- Stopp motoren før du endrer klippehøyde. Utfør aldri justeringer mens motoren er i gang.
- La aldri produktet være ute av syne mens motoren er i gang. Stopp motoren, og forsikre deg om at skjæreutstyret ikke roterer.

Sikkerhetsinstruksjoner for drift

Personlig verneutstyr



ADVARSEL: Les de følgende advarslene før du bruker produktet.

Arbeidssikkerhet



ADVARSEL: Les de følgende advarslene før du bruker produktet.

- Bruk dette produktet bare til å klippe gressplener. Det er ikke tillatt å bruke det til andre formål.
- Bruk personlig verneutstyr. Se *Personlig verneutstyr på side 255*.
- Sørg for at du vet hvordan du stopper motoren raskt i en nødsituasjon.
- Start aldri motoren i et lukket rom eller i nærheten av brennbart materiale. Motorens avgasser er varme og kan inneholde gnister som kan forårsake brann.
- Ikke bruk produktet med mindre kniven og alle deksler er riktig montert. En kniv som er feilmontert, kan løsne og forårsake personskaade.
- Pass på at kniven ikke kommer borti gjenstander som steiner og røtter. Dette kan gjøre skade på kniven og bøye motorakselen. En bøyd aksel kan forårsake mye vibrasjon og utgjør en svært høy fare for at kniven blir løs.
- Hvis kniven treffer en gjenstand eller det oppstår kraftige vibrasjoner, må produktet stanses øyeblikkelig. Koble tenningskabelen fra tennpluggen. Kontroller produktet for skader. Reparer skader, eller la et autorisert serviceverksted utføre reparasjon.
- Du må aldri feste motorbremsenhåndtaket permanent til håndtaket når motoren er i gang.
- Plasser produktet på et stabilt, flatt underlag, og start det. Pass på at kniven ikke berører bakken eller andre gjenstander.
- Hold deg alltid bak produktet når du bruker det.
- La alle hjulene være på bakken, og hold begge hender på håndtaket når du bruker produktet. Hold hender og føtter borte fra de roterende knivene.



ADVARSEL: Les de følgende advarselsinstruksjonene før du bruker produktet.

- Verneutstyr kan aldri fullstendig forhindre skade, men det reduserer skadeomfanget hvis ulykken inntreffer. Spør forhandleren din om hjelp til å velge riktig utstyr.
- Bruk hørselsvern hvis støynivået er høyere enn 85 dB.
- Bruk kraftige, sklisisikre støvler eller sko. Ikke bruk åpne sko eller gå barbeint.
- Bruk tykke langbukser.
- Bruk vernehansker når det er nødvendig, for eksempel når du fester, undersøker eller rengjør skjæreutstyret.
- Ikke bruk et produkt med sikkerhetsutstyr som er skadet eller ikke fungerer som det skal.
- Utfør regelmessig kontroll av sikkerhetsutstyret. Hvis sikkerhetsutstyret er skadet eller ikke fungerer som det skal, må du kontakte Husqvarna-serviceforhandleren.
- Ikke foreta endringer på sikkerhetsutstyr.

Slik kontrollerer du klippedekselet

Klippedekselet gir mindre vibrasjoner og minsker risikoen for skader forårsaket av kniven.

- Undersøk klippedekselet for å sikre at det ikke er noen skader, for eksempel sprekker.

Batteri (LB 244E)



ADVARSEL: Et skadet batteri reduserer sikkerheten til produktet. Bruk bare batteri som er godkjent av produsenten.

Batteriet gir strøm til den elektriske starteren og er en sikkerhetsinnretning som hindrer utilsiktet start. Ta ut batteriet når du ikke bruker produktet og når du lar det stå uten tilsyn.

Slik kontrollerer du motorbremseshåndtaket

Motorbremseshåndtaket stopper motoren. Når du slipper motorbremseshåndtaket, stopper motoren.

- Start motoren, og slipp deretter motorbremseshåndtaket. Hvis motoren ikke stopper innen tre sekunder, må du la et godkjent Husqvarna-serviceverksted justere motorbremsen. (Fig. 19)

Lyddemper

Lyddemperen begrenser støynivået og sender avgassene bort fra brukeren.

Ikke bruk produktet hvis lyddemperen mangler eller er skadet. En defekt lyddemper øker lydnivået og brannfaren.



ADVARSEL: Lyddemperen blir svært varm under og etter bruk, og når motoren går på tomgang. Vær forsiktig i nærheten av brannfarlige materialer og/eller avgasser for å unngå brann.

Slik kontrollerer du lyddemperen

- Kontroller lyddemperen regelmessig for å sikre at den er riktig montert og ikke skadet.

Drivstoffsikkerhet



ADVARSEL: Les de følgende advarselsinstruksjonene før du bruker produktet.

- Ikke start produktet hvis det er drivstoff eller motorolje på det. Fjern uønsket drivstoff/olje, og la produktet tørke.
- Skift klær umiddelbart hvis du søler drivstoff på klærne.
- Ikke få drivstoff på kroppen, da dette kan føre til personskade. Bruk såpe og vann for å fjerne drivstoff hvis du får drivstoff på kroppen.
- Ikke start produktet hvis motoren lekker. Kontroller motoren for lekkasjer med jevne mellomrom.
- Vær forsiktig med drivstoff. Drivstoff er brannfarlig, og avgassene er eksplosive og kan forårsake personskade eller død.

- Ikke pust inn bensindamp, da dette kan føre til personskade. Pass på at det er tilstrekkelig luftstrøm.
- Du må ikke røyke i nærheten av drivstoff eller motoren.
- Ikke sett varme gjenstander i nærheten av drivstoff eller motoren.
- Ikke fyll på drivstoff når motoren er på.
- Kontroller at motoren er avkjølt før du fyller på drivstoff.
- Åpne tanklokket sakte, og slipp ut trykket forsiktig før du fyller.
- Ikke fyll drivstoff på motoren innendørs. En utilstrekkelig luftstrøm kan føre til personskade eller dødsfall på grunn av kveling eller karbonmonoksidforgiftning.
- Trekk til drivstofflokket helt. Hvis drivstofflokket ikke er strammet, kan det utgjøre en risiko for brann.
- Flytt produktet minst 3 m fra stedet der du fylte tanken, før du starter det.
- Fyll ikke drivstofftanken helt opp. Varme fører til at drivstoffet utvider seg. La det være litt plass øverst i drivstofftanken.
- Oppbevar aldri produktet med drivstoff i drivstofftanken inne i en bygning der det finnes antenneskilder, for eksempel varmtvannsbereidere, varmeovner eller tørketromler. La motoren kjøles ned før maskinen lagres i et lukket rom.

Sikkerhetsinstruksjoner for vedlikehold



ADVARSEL: Les de følgende advarslene før du bruker produktet.

- Eksosen fra motoren inneholder karbonmonoksid, en luktfri, giftig og svært farlig gass. Ikke start motoren innendørs eller i lukkede rom.
- Før du utfører vedlikehold på produktet, må du stoppe motoren og fjerne tenningskabelen fra tennpluggen. På LB 244E må du også fjerne batteriet.
- Bruk vernehansker når du utfører vedlikehold på skjæreutstyret. Kniven er svært skarp, og det er lett å kutte seg.
- Tilbehør og endringer på produktet som ikke er godkjent av produsenten, kan føre til alvorlig personskade eller død. Ikke foreta endringer av produktet. Bruk bare tilbehør som er godkjent av produsenten.
- Hvis vedlikeholdet ikke utføres riktig og regelmessig, øker faren for personskade og skade på produktet.
- Bare utfør vedlikehold som beskrevet i denne brukerveiledningen. Alt annet vedlikehold må utføres av et godkjent Husqvarna-serviceverksted.
- La et godkjent Husqvarna-serviceverksted utføre service på produktet regelmessig.
- Skift ut alle skadde, slitte eller ødelagte deler.

Montering

Innledning



ADVARSEL: Før du monterer produktet, må du lese og forstå kapittelet om sikkerhet.



ADVARSEL: Fjern tennpluggkabelen fra tennpluggen før du monterer produktet.

Slik monterer du håndtaket

1. Trekk håndtaket bakover til det er i endestillingen. (Fig. 20)

2. Trekk til håndtaksknottene. (Fig. 21)

Slik justerer du høyden på håndtaket

1. Kontroller at høydejusteringsbøylen er i sporet. Trykk ned høydejusteringsbøylen med foten hvis høydejusteringsbøylen ikke er plassert i sporet. (Fig. 22)
2. Trykk inn høydejusteringsbøylen med foten.
3. Sett styrearmen i riktig stilling, og slipp styrearmen. (Fig. 23)

Drift

Innledning



ADVARSEL: Før du bruker produktet, må du lese og forstå kapittelet om sikkerhet.

Husqvarna Connect

Husqvarna Connect er en kostnadsfri app for mobilenheten din. Husqvarna Connect-appen gir utvidede funksjoner for Husqvarna-produktet ditt:

- utvidet produktinformasjon
- informasjon om og hjelp med produktdele og service

Slik begynner du å bruke Husqvarna Connect

1. Last ned Husqvarna Connect-appen på mobilenheten din.
2. Utfør registrering i Husqvarna Connect-appen.
3. Følg instruksjonene i Husqvarna Connect-appen for å koble til og registrere produktet.

Før du bruker produktet

1. Les nøye gjennom bruksanvisningen, og sørg for at du har forstått instruksjonene.
2. Undersøk skjærestyret for å sikre at det er riktig festet og justert. Se *Slik kontrollerer du skjærestyret på side 260*.
3. Sjekk oljenivået, og fyll på motorolje om nødvendig. Se *Slik kontrollerer du oljenivået på side 260*.
4. Fyll drivstofftanken. Se *Slik fyller du drivstoff på side 257*.

Slik fyller du drivstoff

Hvis tilgjengelig, bruker du miljøbensin/alkylatbensin. Hvis miljøbensin/alkylatbensin ikke er tilgjengelig, bruker du blyfri bensin av god kvalitet eller blybensin med oktantal 91 eller høyere.



OBS: Ikke bruk bensin med et oktantal som er mindre enn 91 RON. Dette kan skade produktet.



OBS: Skift drivstoffilteret årlig eller oftere hvis det er nødvendig. Et nytt drivstoffilter er tilgjengelig hos Husqvarna-forhandleren din.



OBS: Stopp alltid motoren før du fyller drivstoff.



OBS: Ikke bruk startvæsker under trykk.

1. Åpne drivstofflokket sakte for å slippe ut trykket.
2. Fyll langsomt med en bensinkanne. Hvis du søler drivstoff, kan du tørke det opp med en klut og la det som måtte være igjen, lufttørke. (Fig. 24)
3. Tørk rent rundt drivstofflokket.
4. Trekk til drivstofflokket helt. Hvis drivstofflokket ikke er strammet, kan det utgjøre en risiko for brann.
5. Flytt produktet minst 3 m fra stedet der du fylte tanken, før du starter det.

Slik setter du produktet i arbeidsstilling

1. Monter håndtaket. Se *Slik monterer du håndtaket på side 257*.
2. Juster høyden på håndtaket. Se *Slik justerer du høyden på håndtaket på side 257*.



OBS: Kontroller at kablene ikke har for hard stramming. For hard stramming kan føre til skade på kabelen hvis håndtaket felles ned i transportstilling.



ADVARSEL: Ikke bruk produktet med mindre håndtaket er helt foldet opp og satt i en av de aktuelle høydeposisjonene. Se *Slik justerer du høyden på håndtaket på side 257*.

Slik regulerer du klippehøyden

Klippehøyden kan justeres i seks forskjellige trinn.

1. Stopp motoren.
2. Flytt spaken for klippehøyde bakover for å øke klippehøyden. (Fig. 25)
3. Flytt spaken for klippehøyde forover for å senke klippehøyden.



OBS: Ikke sett klippehøyden for lavt. Skjærebladene kan treffe bakken hvis overflaten på plenen ikke er vannrett.

Slik starter du produktet

- Sørg for at tenningskabelen er koblet til tennpluggen.

Manuell start (LB 144)

1. Stå bak produktet.
2. Hold motorbremsehåndtaket mot det øvre håndtaket. (Fig. 26)
3. Hold i startsnorhåndtaket med høyrehånden.
4. Dra startsnoren langsomt ut til du kjenner litt motstand.
5. Trekk kraftig for å starte motoren.



ADVARSEL: Surr aldri startsnoren rundt hånden.

Elektrisk start (LB 244E)

1. Kontroller at batteriet er ladet. Se *Vedlikehold av batteriet (LB 244E) på side 261*.
2. Koble batteriet til motoren. Batteriet låses på plass når du hører et klikk. (Fig. 27)
3. Hold deg bak produktet, og hold motorbremsehåndtaket (A) mot det øvre håndtaket. (Fig. 28)
4. Trykk på og hold inne den elektriske startknappen i 3–5 sekunder. Motoren starter.

Merk: Hvis motoren ikke starter, venter du 1 minutt og prøver å starte produktet på nytt.

Slik stopper du produktet

- Hvis du vil stoppe motoren, slipper du motorbremsehåndtaket.

Slik tar du ut batteriet (LB 244E)

For å hindre utilsiktet start av motoren må du ta ut batteriet når produktet ikke er i bruk.

- Trykk på låseknappen (A), og trekk batteriet rett ut. (Fig. 29)

Slik får du et godt resultat

- Bruk alltid en godt slipt kniv. En sløv kniv gir ujevnt resultat, og gressets klippeoverflate blir gul. En skarp kniv bruker også mindre energi enn en sløv kniv.
- Ikke klipp mer enn 1/3 av lengden på gresset. Klipp først med klippehøyden stilt høyt. Undersøk resultatet, og senk klippehøyden til det aktuelle nivået. Hvis gresset er veldig langt, kjører du sakte og klipper to ganger om nødvendig.
- Klipp i forskjellige retninger hver gang, for å unngå striper i plenen.
- Hold klippedekselet rent. Oppsamling av gress og smuss på innsiden av klippedekselet kan gi et dårligere klipperesultat. Se *Slik rengjør du den indre overflaten av klippedekselet på side 259*.

Vedlikehold

Innledning



ADVARSEL: Før du utfører vedlikeholdsarbeid, må du lese og forstå kapittelet om sikkerhet.

For alt vedlikehold og reparasjonsarbeid på produktet er det nødvendig med spesiell opplæring. Vi garanterer fagmessig reparasjon og service. Hvis forhandleren ikke er et serviceverksted, må du snakke med dem for å få informasjon om nærmeste serviceverksted.

Vedlikeholdsskjema



OBS: Sørg for at luftfilteret vender opp og ikke mot bakken når du vipper produktet. Fare for motorskade.



OBS: For modeller med elektrisk start må du alltid ta ut batteriet før du utfører

Vedlikeholdintervallene er beregnet med utgangspunkt i daglig bruk av produktet. Intervallene kan endres hvis produktet ikke brukes daglig.

For vedlikehold merket med * kan du se instruksjonene i *Sikkerhetsutstyr på produktet på side 255*.

Vedlikehold	Daglig	Månedlig	Hver sesong
Utfør en generell inspeksjon.	X		
Kontroller oljenivået.	X		
Skift olje (første gang etter 5 timers bruk og deretter etter hver 50. times bruk). ¹¹³			X
Hvordan robotklipperen rengjøres	X		
Rengjør området rundt høydejusteringsbøylen for håndtaket.	X		
Kontroller skjæreutstyret.	X		
Kontroller klippedekselet*.	X		
Kontroller motorbremsehåndtaket*.	X		
Kontroller lyddemperen*		X	
Kontroller tennpluggen. Rengjør eller skift tennpluggen når det er nødvendig.			X
Kontroller luftfilteret.	X		
Rengjør luftfilteret ¹¹⁴		X	
Skift luftfilteret.			X
Kontroller drivstoffsystemet.			X
Rengjør kjøleflensene på sylindren		X	

Slik utfører du en generell inspeksjon

- Sørg for at alle mutre og skruer på produktet er trukket til ordentlig.

Slik rengjør du produktet på utsiden

- Bruk en børste for å fjerne løv, gress og smuss.
- Kontroller at luftinntaket på toppen av motoren ikke er blokkert.
- Produktet må ikke rengjøres med høytrykksspyler.
- Hvis du bruker vann til å rengjøre produktet, må du ikke spyle vann direkte på motoren.

Slik rengjør du området rundt høydejusteringsbøylen for håndtaket

- Bruk en børste for å fjerne løv, gress og smuss. (Fig. 30)

Slik rengjør du den indre overflaten av klippedekselet

1. Tøm drivstofftanken.
2. Vipp produktet. Kontroller at tennpluggen peker opp.

¹¹³ Hvis produktet brukes med tung belastning eller ved høye omgivelsestemperaturer, må motoroljen skiftes hver 25. time.

¹¹⁴ Rengjør oftere under støvete forhold eller når det er rusk i luften. Skift luftfilteret hvis det er veldig skittent.



OBS: Hvis produktet plasseres med luffilteret ned, kan motoren bli skadet.

3. Spyl innsiden av klippedekselet med vann.

Slik kontrollerer du skjæreutstyret



ADVARSEL: For å hindre utilsiktet start må du fjerne tenningskabelen fra tennpluggen.



ADVARSEL: Bruk vernehansker når du utfører vedlikehold på skjæreutstyret. Kniven er svært skarp, og det er lett å kutte seg.

1. Kontroller skjæreutstyret med henblikk på skader og sprekkdannelse. Bytt alltid ut skadet skjæreutstyr.
2. Sjekk om kniven er skadet eller sløv.

Merk: Kniven må balanseres etter at den er slipt. La et servicesenter slippe, skifte og balansere kniven. Hvis du treffer en hindring som fører til at produktet stopper, må du skifte ut den skadde kniven. La serviceverkstedet vurdere om kniven kan slipes eller om den må skiftes ut.

Slik skifter du ut skjærebladet

1. Lås skjærebladet med en trekloss. (Fig. 31)
2. Fjern knivbolten og sprengskiven.
3. Fjern skjærebladet.
4. Kontroller støtten og bolten for skjærebladet for å se etter skader.
5. Undersøk motorakselen for å forsikre deg om at den ikke er bøyd.
6. Når du fester det nye skjærebladet, må du peke de vinklede endene av bladet i retning av klippedekselet. (Fig. 32)
7. Kontroller at kniven er på linje med midten av motorakselen.
8. Lås skjærebladet med en trekloss. Fest sprengskiven, og trekk til bolten og skiven med et moment på 44-46 Nm. (Fig. 33)
9. Trekk skjærebladet rundt for hånd, og kontroller at det roterer fritt.



ADVARSEL: Bruk solide arbeidshansker. Skjærebladet er svært skarpt, og det er lett å skjære seg.

10. Start produktet for å teste skjærebladet. Hvis bladet ikke er riktig festet, vil produktet vibrere, eller klipperesultatet vil ikke bli bra nok.

Slik kontrollerer du oljenivået



OBS: For lavt oljenivå kan forårsake alvorlige motorskader. Kontroller oljenivået før du starter produktet.

1. Sett produktet på et flatt underlag.
2. Ta av oljetankklokken og den medfølgende peilepinnen.
3. Fjern gjenværende olje fra peilepinnen.
4. Før peilepinnen helt inn i oljetanken.
 - a) Ikke stram oljetankklokken på LB 144.
 - b) Sett på oljetankklokken på LB 244E.
5. Fjern oljetankklokken og peilepinnen.
6. Kontroller oljenivået på den medfølgende peilepinnen.
7. Hvis oljenivået er lavt, fyller du på motorolje og utfører en ny kontroll av oljenivået. (Fig. 34)

Merk: Bruk en trakt for å unngå søl.

8. Sett på oljetankklokken når oljenivået er riktig.

Slik skifter du motorolje



ADVARSEL: Motorolje er svært varm rett etter at motoren har stoppet. La motoren bli avkjølt før du tapper ut motorolje. Rengjør med såpe og vann hvis du søler motorolje på huden.

(Fig. 35)

1. Bruk produktet til drivstofftanken er tom.
2. Fjern tenningskabelen fra tennpluggen.
3. Ta av oljetankklokken og den medfølgende peilepinnen.
4. Sett en beholder under produktet for å samle opp olje.
5. Vipp produktet, eller tapp av motoroljen fra oljetanken med en oljepumpe (tilbehør).
6. Fyll på ny motorolje av typen som anbefales i *Tekniske data på side 264*.
7. Kontroller oljenivået. Se *Slik kontrollerer du oljenivået på side 260*.
8. Sett på oljetankklokken når oljenivået er riktig.

Luffilter

Et skittent luffilter kan føre til at motoren blir skadet eller ikke fungerer som den skal. Rengjør luffilteret oftere ved arbeid i støvete omgivelser. Se *Vedlikeholdsskjema på side 259* for informasjon om når du bør skifte luffilter.

Merk: Bytt alltid ut et skadet luffilter.

Slik fjerner og monterer du luftfilteret (LB 244E)



ADVARSEL: Bruk vernehansker.

1. Trykk på klemmene på luftfilterdekslet.
2. Ta luftfilterdekslet (A) forsiktig av motoren.
3. Fjern luftfilteret (B). (Fig. 36)
4. Se etter skader på luftfilteret. Bytt alltid ut et skadet luftfilter.
5. Rengjør og undersøk luftfilteret. Se *Slik rengjør du luftfilteret (LB 244E) på side 261*.
6. Monter i motsatt rekkefølge.

Slik rengjør du luftfilteret (LB 244E)

Et skittent luftfilter kan føre til at motoren blir skadet eller ikke fungerer som den skal. Rengjør luftfilteret oftere ved arbeid i støvete omgivelser.

Se *Vedlikeholdsskjema på side 259* for informasjon om når du bør skifte luftfilter.

1. Ta av luftfilterdekslet, og ta ut filteret.
2. Rengjør filteret ved å slå det mot en flat overflate. Ikke bruk løsemiddel med bensin, for eksempel parafin, eller trykkluft til å rengjøre filteret.

Merk: Luftfiltre som har vært i bruk over lang tid, kan ikke rengjøres helt. Skift luftfilteret med jevne mellomrom. Et skadet luftfilter må alltid skiftes.

3. Når du monterer luftfilteret, må du passe på at det sitter tett inntil filterholderen.

Slik rengjør du skumplastfilteret (LB 144)



OBS: Ikke start motoren uten luftfiltrene. Slitasjen på motoren øker hvis luften er skitten.

1. Ta av luftfilterdekslet (A). (Fig. 37)
2. Fjern skumplastfiltrene (B).



OBS: Kontroller skumplastfiltrene for skade eller slitasje. Skift ut alle skadede skumplastfiltre.

3. Rengjør skumplastfiltrene med såpe og vann.
4. Skyll skumplastfiltrene i rent vann.
5. Klem ut vannet fra skumplastfiltrene, og la dem tørke.



OBS: Ikke bruk trykkluft. Det kan føre til skade på skumplastfilteret.

6. Smør skumplastfiltrene med motorolje.

7. Trykk en ren klut mot skumplastfilteret for å fjerne overflødig olje.
8. Monter skumplastfiltrene. Kontroller at skumplastfiltrene er helt forsegleet mot luftfilterholderen.
9. Monter luftfilterdekslet.

Vedlikehold av batteriet (LB 244E)

Batteriet er vedlikeholdsfritt. La bare et godkjent servicesenter utføre service på batteriet hvis det er nødvendig.

Ved første gangs bruk av batteriet (LB 244E)



OBS: Ikke la batteriet gå tomt. Hvis batteriet går tomt, kan det føre til skade på batteriet.

Du må lade batteriet før første gangs bruk.

1. Koble batteriladeren til batteriet. Se *Slik lader du batteriet (LB 244E) på side 261*.
2. Vent til minst én grønn LED-lampe tennes.
3. Fest batteriet på motoren. Se *Elektrisk start (LB 244E) på side 258*.

Slik lader du batteriet (LB 244E)

Hvis bare én eller ingen lamper på batteriet lyser, må batteriet lades. Et tomt batteri er fullt oppladet i løpet av to timer. Lading i kortere perioder skader ikke batteriet.

1. Koble batteriladeren til batteriet. (Fig. 38)
2. Koble batteriladeren til en stikkontakt, 100–240 V, 50–60 Hz.
3. Ta laderen ut av strømkontakten først, og ta deretter laderen ut av batteriet.

Status for batteriets ladetilstand

LED-display på batteriet	Status
LED-lampe 1 blinker rødt.	1–9 %
LED-lampe 1 lyser rødt kontinuerlig	10–32 %
LED-lampe 1 lyser grønt, og LED-lampe 2 lyser rødt.	33–54 %
LED-lampe 1 og 2 lyser grønt, og LED-lampe 3 lyser rødt.	55–77 %
LED-lampe 1, 2 og 3 lyser grønt, og LED-lampe 4 lyser rødt.	78–100 %

Indikatorlampe på batteriladeren	Status
Konstant rødt lys	Batteriet lader.
Konstant grønt lys	Batteriet er fullt oppladet.

Kontrollere tennpluggen



OBS: Bruk alltid anbefalt type tennplugg. Feil tennpluggtype kan føre til skade på produktet.

- Undersøk tennpluggen hvis motorens effekt er for lav, den ikke er enkel å starte eller ikke fungerer riktig på tomgang.
- Følg disse instruksjonene for å redusere risikoen for uønsket materiale på tennpluggenes elektroder:
 - a) Pass på at tomgangsturtallet er riktig justert.
 - b) Pass på at drivstoffblandingen er riktig.
 - c) Kontroller at luftfilteret er rent.
- Hvis tennpluggen er skitten, må du rengjøre den og samtidig kontrollere at elektrodeavstanden er riktig. Se *Tekniske data på side 264*. (Fig. 39)
- Skift tennpluggen når det er nødvendig.

Slik undersøker du drivstoffsystemet

- Undersøk drivstofflokket og pakningen til lokket for å sikre at det ikke er noen skader.
- Undersøk drivstoffslangen for å sikre at det ikke finnes lekkasjer. Hvis drivstoffslangen er ødelagt, må du la et serviceverksted skifte den ut.

Slik tømmer du drivstofftanken

1. Sett en beholder under drivstofftanken.

2. Fjern lokket på drivstofftanken.
3. Skyv slangeklemmene på drivstoffslangen mot forgasseren.
4. Fjern drivstoffslangen fra forgasseren.
5. Legg drivstofftankslangen i beholderen, og fjern slangeklemmene.
6. Vipp produktet, og tapp drivstoffet ned i beholderen.

Slik skifter du drivstofffilteret



ADVARSEL: Bruk vernehansker.

1. Tapp drivstofftanken.
2. Flytt slangeklemmen bort fra drivstofftanken. (Fig. 40)
3. Fjern drivstoffslangen fra drivstofftanken. En liten mengde drivstoff kan lekke. (Fig. 41)
4. Fjern drivstofffilteret fra drivstofftanken. (Fig. 42)
5. Sett på plass et nytt drivstofffilter i drivstofftanken.
6. Sett drivstoffslangen på drivstofftanken.
7. Sett slangeklemmen på plass mot drivstofftanken.

Feilsøking på motoren

Problem	Mulig årsak	Løsning
Motoren starter ikke.	Tenningskabelen er ikke riktig tilkoblet.	Koble tenningskabelen til tennpluggen.
	Drivstofftanken er tom.	Fyll drivstofftanken med riktig drivstofftype.
	Drivstoffet er gammelt.	Tøm drivstofftanken og forgasseren. Fyll på med ny bensin.
	Det er smuss i forgasseren eller drivstoffledningen.	Rengjør forgasseren og/eller drivstoffledningen.
	Tennpluggen er skadet.	Juster elektrodeavstanden, og rengjør eller bytt ut tennpluggen.
	Det er drivstoff på tennpluggen.	Rengjør tennpluggen.
Motoren stopper ikke.	Stoppemekanismen fungerer ikke som den skal.	Koble tenningskabelen fra tennpluggen. Få produktet reparert ved et godkjent serviceverksted.

Problem	Mulig årsak	Løsning
Motoren går ujevnt.	Tenningskabelen er ikke riktig tilkoblet.	Koble tenningskabelen til tennpluggen.
	Det er smuss i drivstoffledningen, eller drivstoffet er utløpt.	Rengjør drivstofflinjen. Fyll drivstofftanken med nytt drivstoff av riktig type.
	Det er en blokkering i lokket på drivstofftanken.	Rengjør lokket på drivstofftanken.
	Det er vann eller smuss i drivstoffsystemet.	Tapp drivstofftanken. Fyll drivstofftanken med nytt drivstoff av riktig type.
	Luftfilteret er skittent.	Rengjør luftfilteret.
	Forgasseren må justeres.	La en serviceforhandler justere forgasseren.
Motoren blir for varm.	Motoroljenivået er for lavt.	Fyll motorolje.
	Luftstrømmen er ikke tilstrekkelig.	Rengjør luftfilteret og luftfilterhuset.
	Forgasseren må justeres.	La en serviceforhandler justere forgasseren.
Det er feiltetting i motoren når den går med høy hastighet.	Elektrodeavstanden i tennpluggen er for liten.	Juster elektrodeavstanden.
Uvanlige lyder fra motoren under normal belastning.	Feil type bensin.	Tøm drivstofftanken og forgasseren. Fyll på med ny bensin. Se <i>Slik undersøker du drivstoffsystemet på side 262</i> . Hvis problemet vedvarer, må du ta kontakt med den lokale serviceforhandleren din.
Motoren fungerer ikke riktig på tomgang.	Tennpluggen er skitten eller skadet, eller elektrodeavstanden er for stor.	Juster elektrodeavstanden eller bytt ut tennpluggen.
	Forgasseren må justeres.	Juster forgasseren.
	Luftfilteret er skittent.	Rengjør luftfilteret.

Transport, oppbevaring og avhending

Transport og oppbevaring

- Før oppbevaring og transport av produktet og drivstoff, må du kontrollere at det ikke finnes lekkasjer eller gasser. Gnister eller åpen ild, for eksempel fra elektriske apparater eller varmekjeler, kan starte en brann.
- Bruk alltid godkjente beholdere for oppbevaring og transport av drivstoff.
- Tøm drivstofftanken før du setter produktet til oppbevaring over en lengre periode. Lever drivstoffet hos en returstasjon.
- Sørg for sikkert feste av produktet under transport for å unngå skader og ulykker.
- Oppbevar produktet på et låst sted for å hindre tilgang for barn eller personer som ikke er godkjent.
- Oppbevar produktet på et tørt og frostfritt sted.

Slik setter du produktet i transportstilling

1. Løsne håndtaksknottene. (Fig. 43)
2. Fold håndtaket forover til det har nådd endestillingen. (Fig. 44)

Transport og oppbevaring av batteri og lader

- Ikke ta ut batteriet før produktet står stille og er avkjølt. Når du skal ta ut batteriet, trykker du på og holder inne knappen på toppen av batteriet og tar det ut av sporet.
- Hvis oppbevaringstiden er på over 30 dager, må du lade batteriet helt til det viser flere enn tre grønne lys.

- Lad batteriet én gang hver tredje måned for å forhindre skade på batteriet.
- Batteriet og batteriladeren må oppbevares i mellom 5 og 40 °C. Høyere temperaturer eller kilder med høy temperatur, for eksempel brann, kan føre til skade på batteriet.
- Batteriet må ikke demonteres.
- Ikke legg batteriet i vann. Oppbevar produktet på et tørt og kjølig sted med god luft sirkulasjon.
- Hvis batteriet lukter, er varmt, eller hvis varmen forårsaker deformasjon av batteriet under bruk, oppbevaring eller lading, må du fjerne batteriet og ikke bruke det.
- Sørg for at batteriet eller batteriladeren er festet under transport, for å unngå skade.

- Pass på at batteriladeren ikke blir for varm.

Kassering

- Følg lokale gjenvinningsbestemmelser og gjeldende regelverk.
- Kast alle kjemikalier, for eksempel motorolje eller frostvæske, på et servicesenter eller en returstasjon.
- Når produktet ikke lenger er i bruk, kan du sende det til en Husqvarna-forhandler eller kaste det ved et returpunkt.
- Lever batteriet til et serviceverksted, eller deponer det på en returstasjon for brukte batterier.

Tekniske data

Tekniske data

	LB 144	LB 244E
Motor		
Merke	Husqvarna	Husqvarna
Modell	HS 123A	HS 139AE
Motortype	Ensyndret, 4-takts, tvungen luftkjøling, OHV	Ensyndret, 4-takts, tvungen luftkjøling, OHV
Volum, cm ³	123	139
Motorhastighet – Nominell, turtall	3000/min	2900/min
Nominell motoreffekt, kW ¹¹⁵	1,95	2,2
Tenningsystem		
Tennplugg	Husqvarna HQT-7	Husqvarna HQT-7
Elektrodeavstand, mm	0,7–0,8	0,7–0,8
Drivstoff-/smøresystem		
Motorsmøretyp	Skvalpesmøring	Skvalpesmøring
Drivstofftankens kapasitet, l	0,9	0,9
Oljetankens kapasitet, l	0,5	0,5

¹¹⁵ Motorens merkeeffekt er gjennomsnittlig nettoeffekt (ved angitt turtall) for en typisk produksjonsmotor for motormodellen, målt ifølge SAE-standarden J1349/ISO1585. Masseproduserte motorer kan avvike fra denne verdien. Faktisk effekt for motoren montert på det ferdige produktet vil avhenge av driftshastighet, klimaforhold og andre verdier.

	LB 144	LB 244E
Motorolje ¹¹⁶	Husqvarna SAE 30, Husqvarna SAE 5W-30 Synthetic, Husqvarna SAE 10W-40	Husqvarna SAE 30, Husqvarna SAE 5W-30 Synthetic, Husqvarna SAE 10W-40
Vekt		
Med tomme tanker, kg	22	23,5
Støyutslipp ¹¹⁷		
Lydeffektnivå, målt dB (A)	91	92
Lydeffektnivå, garantert L _{WA} dB (A)	94	94
Lydnivåer ¹¹⁸		
Lydtrykknivå ved brukerens øre, dB (A)	79	80
Vibrasjonsnivåer ¹¹⁹		
Vibrasjoner i øvre håndtak, m/s ²	7,6	6,0
Klippeutstyr		
Klippehøyde, mm	25–75	25–75
Klippebredde, mm	440	440
Klippesystem	BioClip®	BioClip®
Kniv – standard	Mulch 5464584-10	Mulch 5464584-10
Startsystem		
Elektrisk starter	Nei	Ja
Batteri	–	Litium-ion 10,8 V / 21,6 Wh

¹¹⁶ Bruk motorolje av kvaliteten API SJ eller høyere. Hvis SAE-30-olje brukes ved temperaturer lavere enn +5 °C, er det fare for at den ikke smører motoren tilstrekkelig. Dette kan føre til skader på motoren. Se *Slik skifter du motorolje på side 260* hvis du trenger informasjon om riktig olje for lave temperaturer. Se viskositetstabellen i motorhåndboken (hvis tilgjengelig), og velg viskositeten som er best egnet, basert på forventet utendørstemperatur.

¹¹⁷ Utslipp av støy til omgivelsene målt som lydeffekt (L_{WA}) samsvarer med EF-direktiv 2000/14/EF.

¹¹⁸ Rapporterte data for lydtrykknivå for maskinen har en typisk statistisk spredning (standardavvik) på 1,2 dB (A).

¹¹⁹ Rapporterte data for vibrasjonsnivå har en typisk statistisk spredning (standardavvik) på 0,2 m/s².

Samsvarserklæring

EU-samsvarserklæring

Vi, **Husqvarna AB**, SE-561 82 Huskvarna, Sverige, tlf.:
+46 36 146500, erklærer på eget ansvar at produktet:

Beskrivelse	Gressklipper
Merke	Husqvarna
Type/modell	LB 144, LB 244E
ID	Serienumre datert 2023 og senere

fullstendig overholder følgende EU-direktiver og
-forskrifter:

Regulering	Beskrivelse
2006/42/EC	«angående maskiner»
2014/30/EU	«om elektromagnetisk kompatibilitet»
2000/14/EC	«angående utslipp av støy til omgivelsene»
2011/65/EU	«om begrensning av bruk av visse farlige stoffer i elektrisk og elektronisk utstyr»

og at følgende standarder eller tekniske spesifikasjoner
er anvendt: EN ISO 5395-1:2013+A1:2018, EN ISO
5395-2:2013+A1:2016+A2:2017, EN IEC 63000:2018,
EN ISO 14982:2009

Kontrollorgan: 0404, SMP Svensk Maskinprovning AB,
Box 4053, SE-904 03 Umeå, Sweden Har bekreftet
samsvar med rådsdirektivet 2000/14/EF, prosedyre for
overensstemmelsesvurdering: Vedlegg VI.

For informasjon som gjelder støyutslipp, kan du se
Tekniske data på side 264.

Huskvarna, 2023-09-18



Claes Losdal, Utviklingssjef/hageproduktansvarlig,
Husqvarna AB

Ansvarlig for teknisk dokumentasjon



SPIS TREŚCI

Wstęp.....	267	Rozwiązywanie problemów z silnikiem.....	278
Bezpieczeństwo.....	268	Transport, przechowywanie i utylizacja.....	279
Montaż.....	271	Dane techniczne.....	280
Przeznaczenie.....	272	Deklaracja zgodności.....	282
Przegląd.....	273		

Wstęp

Opis produktu

Produkt jest rotacyjną kosiarką obsługiwaną przez operatora pieszego, wyposażoną w funkcję BioClip, która umożliwia cięcie trawy na nawóz.

Przegląd produktu

(Rys. 1)

1. Dźwignia hamulca silnika
2. Uchwyt / uchwyt sterowniczy
3. Rączka linki rozrusznika (LB 144)
4. Dźwignia regulacji wysokości koszenia
5. Korek wlewu oleju i prętowy wskaźnik poziomu oleju
6. Tłumik
7. Świeca zapłonowa
8. Uchwyt do podnoszenia
9. Dźwignia regulacji wysokości uchwytu sterowniczego
10. Zakrętka zbiornika paliwa
11. Filtr powietrza
12. Osłona modułu tnącego
13. Nóż
14. Podkładka sprężynowa
15. Śruba noża
16. Akumulator, urządzenie zabezpieczające (LB 244E)
17. Przycisk rozrusznika elektrycznego (LB 244E)
18. Instrukcja obsługi

Symbole znajdujące się na produkcie

- (Rys. 2) **OSTRZEŻENIE!** Należy zachować ostrożność i prawidłowo korzystać z produktu. Produkt może spowodować poważne obrażenia ciała lub śmierć operatora lub innych osób.
- (Rys. 3) Przed przystąpieniem do pracy prosimy dokładnie i ze zrozumieniem zapoznać się z treścią niniejszej instrukcji obsługi.
- (Rys. 4) Należy uważać na wyrzucane i rykoszetujące przedmioty.

Przeznaczenie

Produkt służy fo cięcia trawy. Nie używać produktu do innych zadań.

- (Rys. 5) Ludzie i zwierzęta powinny przebywać w bezpiecznej odległości od obszaru roboczego.
- (Rys. 6) **Ostrzeżenie:** Ręce i stopy należy trzymać z dala od obracającego się noża.
- (Rys. 7) **Ostrzeżenie:** Nie zbliżać dłoni i stóp do części obrotowych.
- (Rys. 8) Przed rozpoczęciem napraw lub konserwacji urządzenia wyłączyć silnik i zdjąć przewód zapłonowy.
- (Rys. 9) Niniejszy produkt jest zgodny z obowiązującymi dyrektywami WE.
- (Rys. 10) Etykieta emisji hałasu do środowiska zgodnie z dyrektywami oraz przepisami UE i Wielkiej Brytanii, a także przepisami Nowej Południowej Walii „Protection of the Environment Operations (Noise Control) Regulation 2017”. Gwarantowany poziom mocy akustycznej urządzenia jest określony w *Dane techniczne na stronie 280* oraz na etykiecie.
- (Rys. 11) Ten produkt jest zgodny z przepisami obowiązującymi w Wielkiej Brytanii.
- (Rys. 12) Ryzyko pożaru.
- (Rys. 13) Nie wdychać oparów spalin. Spaliny z silnika zawierają tlenek węgla, który jest bezwonny, trujący i niebezpiecznym gazem. Nie należy uruchamiać silnika wewnątrz pomieszczeń lub w zamkniętych przestrzeniach.

- (Rys. 14) Gorąca powierzchnia.
- (Rys. 16) Przed uruchomieniem urządzenia należy napęlić silnik olejem.
- (Rys. 17) Wykonać czynności rozruchowe dla LB 144: Popchnąć dźwignię hamulca silnika w dół i pociągnąć rączkę linki rozrusznika.
- (Rys. 18) Wykonać czynności rozruchowe dla LB 244E: Popchnąć dźwignię hamulca silnika w dół i nacisnąć przycisk START.
- (Rys. 15) Kod do przeskanowania

związanych z certyfikatami w innych obszarach komercyjnych.

Uszkodzenie produktu

Nie odpowiadamy za uszkodzenia naszego produktu, w przypadku gdy:

- produkt jest nieprawidłowo naprawiany.
- produkt jest naprawiany przy użyciu części nie pochodzących od producenta lub niezatwierdzonych przez producenta.
- produkt jest wyposażony w akcesoria nie pochodzące od producenta lub niezatwierdzone przez producenta.
- produkt nie jest naprawiany w autoryzowanym centrum serwisowym lub przez autoryzowaną placówkę.

Emisje Euro V



OSTRZEŻENIE: Ingerencja w silnik powoduje unieważnienie europejskiego zatwierdzenia typu produktu.

Uwaga: Pozostałe symbole/naklejki samoprzylepne umieszczone na produkcie dotyczą wymogów

Bezpieczeństwo

Definicje dotyczące bezpieczeństwa

Ostrzeżenia, uwagi i informacje są używane do zwrócenia uwagi na szczególnie ważne sekcje instrukcji obsługi.



OSTRZEŻENIE: Jest używane, gdy istnieje ryzyko poważnych obrażeń, śmierci operatora lub uszkodzenia otoczenia w wyniku nieprzestrzegania instrukcji obsługi.



UWAGA: Jest używane, gdy istnieje ryzyko uszkodzenia materiałów lub urządzenia w wyniku nieprzestrzegania instrukcji obsługi.

Uwaga: Stosuje się, aby przekazać więcej informacji, które są przydatne w danej sytuacji.

Ogólne zasady bezpieczeństwa



OSTRZEŻENIE: Przed rozpoczęciem użytkowania produktu przeczytać następujące ostrzeżenia.

- Produkt ten może być niebezpieczny w przypadku jego nieprawidłowego użytkowania i niezachowania ostrożności. Nieprzestrzeganie

instrukcji bezpieczeństwa może spowodować obrażenia ciała lub śmierć.

- Niniejszy produkt podczas pracy wytwarza pole to może zakłócać pracę aktywnych lub pasywnych implantów medycznych. Przed użyciem tego produktu osoby z wszczepionym implantem medycznym powinny skonsultować się z lekarzem i producentem implantu w celu ograniczenia ryzyka poważnych lub śmiertelnych obrażeń.
- Zawsze zachowywać ostrożność i kierować się zdrowym rozsądkiem. Jeśli nie ma pewności, w jaki sposób należy obsługiwać ten produkt w konkretnej sytuacji, przed wznowieniem pracy należy porozmawiać z dealerem Husqvarna.
- Pamiętać o tym, że operator ponosi odpowiedzialność za wypadki z udziałem innych ludzi i ich własności.
- Utrzymywać produkt czystym. Upewnić się, że można łatwo odczytać oznaczenia i naklejki.
- Nie pozwalać używać maszyny jakimkolwiek osobom, które nie zapoznały się i nie zrozumiały zawartości instrukcji obsługi.
- Nie pozwalać dzieciom używać produktu.
- Należy trzymać dzieci z dala od obszaru roboczego. Zawsze musi jej towarzyszyć odpowiedzialna osoba dorosła.
- Nie pozwalać osobom nieznającym instrukcji używać maszyny.
- Należy zawsze kontrolować osobę o ograniczonych możliwościach fizycznych lub umysłowych podczas

używania produktu. Zawsze musi jej towarzyszyć odpowiedzialna osoba dorosła.

- Osoba, która jest zmęczona, chora lub pod wpływem alkoholu, narkotyków lub lekarstw nie może obsługiwać urządzenia. Stany te mają negatywny wpływ na wzrok, uwagę, koordynację i osąd.
- Nie używać urządzenia, które jest uszkodzone lub nie działa prawidłowo.
- Nie wolno dokonywać w maszynie zmian stanowiących modyfikację jej oryginalnej wersji. Nie używać maszyny, jeżeli istnieje podejrzenie, że ktoś inny wprowadził w niej zmiany.
- Nie wolno zmieniać ustawień prędkości obrotowej silnika.

Bezpieczeństwo miejsca pracy



OSTRZEŻENIE: Przed rozpoczęciem użytkowania produktu przeczytać następujące ostrzeżenia.

- Usunąć objekty, takie jak gałęzie, gałązki i kamienie z obszaru roboczego przed rozpoczęciem korzystania z maszyny.
- Objekty, które zderzają się z elementami tnącymi, mogą zostać wyrzucone i spowodować obrażenia osób i uszkodzenia przedmiotów. Osoby znajdujące się w pobliżu i zwierzęta powinny zachować bezpieczną odległość od maszyny.
- Nigdy nie należy używać produktu w niesprzyjających warunkach np. we mgle, w deszczu, przy silnym wietrze, na silnym mrozie, gdy występuje ryzyko wyładowań atmosferycznych. Korzystanie z maszyny w niesprzyjających warunkach lub w wilgotnych czy mokrych lokalizacjach jest męczące. Niesprzyjające warunki pogodowe mogą stworzyć niebezpieczne warunki, takie jak śliskie powierzchnie.
- Należy uważać na osoby, przedmioty i sytuacje, które mogą uniemożliwić bezpieczną obsługę maszyny.
- Należy zwracać uwagę na przeszkody, takie jak korzenie, kamienie, gałązki, dziury i doły. Wysoka trawa może zasłaniać przeszkody.
- Koszenie trawy na pochyłościach może być niebezpieczne. Nie należy używać maszyny na pochyłościach terenu przekraczających 15°.
- Należy używać maszyny, prowadząc ją w poprzek zbocza. Nie należy jeździć w górę i w dół zbocza.
- Zachować ostrożność podczas zbliżania się do narożników lub innych obiektów, które mogą ograniczać widoczność.

Pracuj bezpiecznie



OSTRZEŻENIE: Przed rozpoczęciem użytkowania produktu przeczytać następujące ostrzeżenia.

- Używać maszyny wyłącznie do przycinania trawników. Nie jest dozwolone wykorzystanie maszyny do innych zadań.
- Stosuj środki ochrony osobistej. Patrz *Środki ochrony osobistej na stronie 270*.
- Należy zawsze wiedzieć, jak szybko wyłączyć silnik w razie awarii.
- Nigdy nie należy uruchamiać silnika w zamkniętej przestrzeni lub w pobliżu łatwopalnych materiałów. Spaliny silnikowe mają wysoką temperaturę, mogą zawierać iskry, które mogą się stać przyczyną pożaru.
- Nie należy obsługiwać maszyny, jeśli ostrze oraz wszystkie pokrywy nie zostały prawidłowo zamocowane. Nieprawidłowo zamocowane ostrze może się obluźować i spowodować obrażenia.
- Należy upewnić się, że ostrze nie uderza w żadne objekty, takie jak kamienie czy korzenie. Może to spowodować uszkodzenie ostrza oraz wygięcie wału silnika. Zgięta oś powoduje silne wibracje oraz bardzo wysokie zagrożenie obluźowaniem ostrza.
- Jeśli ostrze uderzy w jakikolwiek obiekt lub jeśli wystąpią wibracje, należy natychmiast wyłączyć maszynę. Odłączyć przewód zapłonowy od świecy zapłonowej. Należy sprawdzić maszynę pod kątem uszkodzeń. Należy naprawić uszkodzenia lub zlecić przeprowadzenie naprawy przez autoryzowany punkt serwisowy.
- Nigdy nie należy na stałe przymocowywać uchwytu hamulca silnikowego do uchwytu podczas pracy silnika.
- Maszynę należy ustawić na stabilnej, płaskiej powierzchni i ją uruchomić. Należy upewnić się, że ostrza nie uderzają w podłoże lub inne przedmioty.
- Podczas obsługi maszyny zawsze należy stać za nią.
- Podczas obsługi maszyny należy upewnić się, że wszystkie koła dotykają podłoża oraz trzymać na kierownicy obie dłonie. Ręce i stopy należy trzymać z dala od obracających się noży.
- Nie przechylać produktu, kiedy uruchomiony jest silnik.
- Należy zachować ostrożność podczas ciągnięcia maszyny do tyłu.
- Nigdy nie należy podnosić maszyny przy włączonym silniku. Jeśli konieczne jest podniesienie maszyny, najpierw wyłączyć silnik i odłączyć przewód zapłonowy od świecy zapłonowej.
- Nie należy poruszać się do tyłu podczas obsługi maszyny.
- Podczas poruszania się po obszarach bez trawy, na przykład po żwirowych, kamiennych lub asfaltowych ścieżkach, należy wyłączyć silnik.
- Nie należy biegać z maszyną przy włączonym silniku. Podczas obsługi maszyny zawsze należy poruszać się chodem.
- Przed zmianą wysokości koszenia należy wyłączyć silnik. Nigdy nie należy wykonywać regulacji przy uruchomionym silniku.

- Nigdy nie należy pozostawiać maszyny poza zasięgiem wzroku przy włączonym silniku. Należy wyłączyć silnik i upewnić się, że narzędzia tnące nie obracają się.

z akumulatora zatwierdzonego do użytku przez producenta.

Instrukcje bezpieczeństwa dotyczące obsługi

Środki ochrony osobistej



OSTRZEŻENIE: Przed rozpoczęciem użytkowania produktu przeczytać następujące ostrzeżenia.

- Środki ochrony osobistej nie eliminują całkowicie ryzyka odniesienia obrażeń, natomiast ograniczają ich rozmiar w razie zaistnienia wypadku. Skorzystać z pomocy dealera przy wyborze odpowiedniego sprzętu.
- Jeśli poziom hałasu przekracza 85 dB, należy stosować ochronniki słuchu.
- Należy używać mocnego, przeciwpoślizgowego obuwia ochronnego lub obuwia roboczego. Nie należy używać otwartego obuwia lub chodzić boszo.
- Stosować wytrzymałe, długie spodnie.
- W razie potrzeby, na przykład podczas mocowania, badania czy czyszczenia narzędzi tnących, stosować rękawice ochronne.

Urządzenia zabezpieczające na produkcie



OSTRZEŻENIE: Przed rozpoczęciem użytkowania produktu przeczytać następujące ostrzeżenia.

- Nie używać produktu z urządzeniami zabezpieczającymi, które są uszkodzone lub nie działają prawidłowo.
- Regularnie przeprowadzać kontrole urządzeń zabezpieczających. Jeśli urządzenia zabezpieczające są uszkodzone lub nie działają prawidłowo, należy skontaktować się z punktem serwisowym Husqvarna.
- Nie wolno dokonywać modyfikacji urządzeń zabezpieczających.

Sprawdzanie osłony modułu tnącego

Osłona modułu tnącego ogranicza drgania urządzenia i obniża ryzyko odniesienia obrażeń od ostrza.

- Zbadać osłonę modułu tnącego, aby upewnić się, że nie nosi ona znamion uszkodzenia, takich jak pęknięcia.

Akumulator (LB 244E)



OSTRZEŻENIE: Uszkodzony akumulator zmniejsza bezpieczeństwo produktu. Należy korzystać wyłącznie

Akumulator dostarcza moc do rozrusznika elektrycznego i jest urządzeniem zabezpieczającym, które zapobiega przypadkowemu uruchomieniu. Wyjąć akumulator, gdy produkt nie jest używany i gdy znajduje się poza zasięgiem wzroku.

Sprawdzanie dźwigni hamulca silnika

Uchwyt hamulca silnika zatrzymuje silnik. Po zwolnieniu uchwytu hamulca silnika następuje wyłączenie silnika.

- Uruchomić silnik, a następnie zwolnić dźwignię hamulca silnika. Jeśli silnik nie wyłączy się w czasie 3 sekund, zatwierdzony serwis obsługi technicznej Husqvarna powinien wyregulować hamulec silnika. (Rys. 19)

Tłumik

Tłumik ogranicza do minimum poziom hałasu i odprowadza spaliny poza strefę pracy operatora.

Nie używać produktu, jeśli tłumik nie jest zamontowany lub jest uszkodzony. Uszkodzony tłumik zwiększa poziom hałasu i ryzyko pożaru.



OSTRZEŻENIE: Tłumik nagrzewa się do wysokiej temperatury podczas użytkowania oraz gdy silnik pracuje na obrotach biegu jałowego, oraz pozostaje gorący przez pewien czas po wyłączeniu silnika. W przypadku zbliżenia się do łatwopalnych materiałów i/lub spalin należy zachować szczególną ostrożność, aby zapobiec pożarowi.

Sprawdzanie tłumika

- Przeprowadzać regularne kontrole tłumika, aby upewnić się, że jest prawidłowo zamontowany i sprawny.

Zasady bezpieczeństwa dotyczące paliwa



OSTRZEŻENIE: Przed rozpoczęciem użytkowania produktu przeczytać następujące ostrzeżenia.

- Nie uruchamiać produktu, jeśli znajduje się na nim paliwo lub olej silnikowy. Usunąć niechciane paliwo/olej i odczekać, aż produkt wyschnie.
- W przypadku rozlania paliwa na ubranie należy je natychmiast zmienić.
- Nie dopuścić do kontaktu paliwa z ciałem, ponieważ może to spowodować obrażenia. W przypadku kontaktu paliwa z ciałem należy użyć wody z mydłem w celu jego usunięcia.

- Nie uruchamiać maszyny, jeśli silnik jest nieszczelny. Regularnie sprawdzać silnik pod kątem nieszczelności.
- Z paliwem należy obchodzić się ostrożnie. Paliwo jest łatwopalne, a jego opary mogą wybuchnąć, powodując obrażenia lub śmierć.
- Nie wdychać oparów paliwa, ponieważ może to być groźne dla zdrowia lub życia. Zapewnić odpowiednią wentylację.
- Nie palić tytoniu w pobliżu paliwa lub silnika.
- Nie umieszczać gorących przedmiotów w pobliżu paliwa lub silnika.
- Nie dolewać paliwa podczas pracy silnika.
- Przed tankowaniem upewnić się, że silnik jest zimny.
- Przed tankowaniem pomału odkręcić korek zbiornika paliwa i ostrożnie zwolnić ciśnienie.
- Nie dolewać paliwa do silnika w zamkniętym pomieszczeniu. Niewystarczający przepływ powietrza może doprowadzić do obrażeń lub śmierci na skutek uduszenia lub zatrucia tlenkiem węgla.
- Do końca dokręcić korek zbiornika paliwa. W przypadku braku dokręcenia korka zbiornika paliwa istnieje ryzyko powstania pożaru.
- Przed uruchomieniem należy przenieść produkt co najmniej 3 metry / 10 stóp od miejsca, w którym napełniany był zbiornik paliwa.
- Nie napełniać zbiornika paliwa całkowicie. Ciepło powoduje zwiększenie objętości paliwa. Pozostawić wolną przestrzeń na górze zbiornika.
- Nigdy nie przechowywać produktu wraz ze zbiornikiem wypełnionym paliwem wewnątrz budynku, w którym znajdują się źródła zapłonu, takie jak podgrzewacze wody, grzejniki lub suszarki do ubrań. Przed odstawieniem silnika do przechowywania poczekać, aż ostygnie.

Instrukcje bezpieczeństwa dotyczące konserwacji



OSTRZEŻENIE: Przed rozpoczęciem użytkowania produktu przeczytać następujące ostrzeżenia.

- Spaliny z silnika zawierają tlenek węgla, który jest bezwonnym, trującym i niebezpiecznym gazem. Nie należy uruchamiać silnika wewnątrz pomieszczeń lub w zamkniętych przestrzeniach.
- Przed rozpoczęciem konserwacji produktu wyłączyć silnik i odłączyć przewód zapłonowy ze świecy zapłonowej. W modelu LB 244E również należy wyjąć akumulator.
- W trakcie konserwacji narzędzi tnących należy korzystać z rękawic ochronnych. Ostrze jest bardzo ostre i może łatwo doprowadzić do skaleczenia.
- Niezatwierdzone przez producenta akcesoria i modyfikacje maszyny mogą spowodować poważne obrażenia lub śmierć. Nie należy modyfikować maszyny. Należy korzystać wyłącznie z akcesoriów zatwierdzonych do użytku przez producenta.
- W przypadku nieprawidłowo lub nieregularnie przeprowadzanej konserwacji wzrasta ryzyko obrażeń oraz uszkodzenia produktu.
- Konserwację należy przeprowadzać wyłącznie w sposób określony w instrukcji użytkownika. Wszelkie prace serwisowe muszą być wykonywane przez zatwierdzonego serwis Husqvarna.
- Należy dopilnować przeprowadzania regularnej konserwacji maszyny przez autoryzowany serwis Husqvarna.
- Wymienić uszkodzone, zużyte lub zniszczone części.

Montaż

Wstęp



OSTRZEŻENIE: Przed złożeniem produktu należy przeczytać ze zrozumieniem rozdział poświęcony bezpieczeństwu.



OSTRZEŻENIE: Przed rozpoczęciem montażu produktu odłączyć przewód świecy zapłonowej od świecy zapłonowej.

Montaż uchwytu

1. Pociągnąć uchwyt do tyłu, aż znajdzie się w położeniu końcowym. (Rys. 20)

2. Dokręcić pokrętła uchwytu. (Rys. 21)

Regulacja wysokości uchwytu

1. Upewnić się, że dźwignia regulacji wysokości znajduje się w rowku. Nacisnąć stopą dźwignię regulacji wysokości, jeśli nie znajduje się ona w rowku. (Rys. 22)
2. Nacisnąć stopą dźwignię regulacji wysokości.
3. Ustawić uchwyt sterowniczy w prawidłowym położeniu i zwolnić uchwyt sterowniczy. (Rys. 23)

Przeznaczenie

Wstęp



OSTRZEŻENIE: Przed użyciem urządzenia należy przeczytać ze zrozumieniem rozdział poświęcony bezpieczeństwu.

Husqvarna Connect

Husqvarna Connect to darmowa aplikacja na urządzenia mobilne. Husqvarna ConnectHusqvarna

- Extended product information.
- Information about, and help with, product parts and servicing.

Rozpoczęcie użytkowania Husqvarna Connect

1. Pobierz aplikację Husqvarna Connect na swoim urządzeniu mobilnym.
2. Zarejestruj się w aplikacji Husqvarna Connect.
3. Wykonaj instrukcje wyświetlane w aplikacji Husqvarna Connect, aby nawiązać połączenie i zarejestrować produkt.

Przed użyciem urządzenia

1. Przed przystąpieniem do pracy należy dokładnie i ze zrozumieniem zapoznać się z treścią niniejszej instrukcji obsługi.
2. Należy sprawdzić narzędzia tnące, aby upewnić się, że są one prawidłowo zamontowane i wyregulowane. Patrz *Kontrola osprzętu tnącego na stronie 275*.
3. Sprawdzić poziom oleju silnikowego i uzupełnić go w razie potrzeby. Patrz *Kontrola poziomu oleju w modelu na stronie 275*.
4. Napełnianie zbiornika paliwa. Patrz *Uzupełnianie paliwa w modelu na stronie 272*.

Uzupełnianie paliwa w modelu

Jeśli jest to możliwe, należy stosować benzynę z niskoemisyjnym paliwem alkilatowym. W przypadku braku dostępności benzyny z niskoemisyjnym paliwem alkilatowym należy korzystać z dobrej jakości benzyny bezołowiowej lub benzyny ołowiowej o liczbie oktanowej nie niższej niż 91.



UWAGA: Nie używać benzyny o liczbie oktanowej niższej niż 91 RON. Niezastosowanie się do tego zalecenia może spowodować uszkodzenie produktu.



UWAGA: Wymieniać filtr paliwa raz w roku lub częściej, jeśli zachodzi taka potrzeba. Nowy filtr paliwa można nabyć u lokalnego dealera firmy Husqvarna.



UWAGA: Zawsze wyłączać silnik przed zatankowaniem paliwa.



UWAGA: Nie używać płynów zapłonowych pod ciśnieniem.

1. Powoli otworzyć korek wlewowy w celu wyrównania ciśnienia.
2. Powoli napełniać zbiornik paliwa. W przypadku rozlania paliwa należy je usunąć przy użyciu ściereki i pozwoilić na wyschnięcie pozostałego paliwa. (Rys. 24)
3. Oczyszczyć korek wlewowy i powierzchnię wokół niego.
4. Do końca dokręcić korek zbiornika paliwa. W przypadku braku dokręcenia korka zbiornika paliwa istnieje ryzyko powstania pożaru.
5. Przed uruchomieniem należy przenieść produkt co najmniej 3 metry / 10 stóp od miejsca, w którym napełniany był zbiornik paliwa.

Ustawienie kosiarki w pozycji roboczej

1. Zmontować uchwyt. Patrz *Montaż uchwytu na stronie 271*.
2. Dostosuj wysokość uchwytu. Patrz *Regulacja wysokości uchwytu na stronie 271*.



UWAGA: Upewnić się, że przewody nie są zbyt mocno naprężone. Zbyt mocne naprężenie może spowodować uszkodzenie przewodu w przypadku złożenia uchwytu do położenia transportowego.



OSTRZEŻENIE: Nie wolno używać produktu, jeśli uchwyt nie jest całkowicie złożony do góry i ustawiony w jednej z odpowiednich pozycji wysokości. Patrz *Regulacja wysokości uchwytu na stronie 271*.

Regulacja wysokości koszenia

Można ustawiać 6 różnych wysokości cięcia.

1. Zatrzymać silnik.

- Przesunąć dźwignię wysokości koszenia do tyłu w celu zwiększenia wysokości koszenia. (Rys. 25)
- Przesunąć dźwignię wysokości koszenia do przodu w celu zmniejszenia wysokości koszenia.



UWAGA: Nie należy ustawiać zbyt niskiej wysokości koszenia. Noże mogą uderzyć w ziemię, jeśli powierzchnia trawnika nie jest równa.

Uruchamianie produktu

- Należy upewnić się, że przewód zapłonowy jest połączony ze świecą zapłonową.

Ręczne uruchamianie (LB 144)

- Należy pozostawać za maszyną.
- Przytrzymaj uchwyt hamulca silnika przy górnym uchwycie. (Rys. 26)
- Należy trzymać rączkę linki rozrusznika prawą dłonią.
- Powoli pociągnąć za linkę rozrusznika do poczucia oporu.
- Pociągnąć, używając odpowiedniej siły, aby uruchomić silnik.



OSTRZEŻENIE: Nie owijaj linki rozrusznika wokół dłoni.

Rozrusznik elektryczny (LB 244E)

- Należy sprawdzić, czy akumulator jest naładowany. Patrz *Konserwacja akumulatora (LB 244E) na stronie 276*.
- Zamontować akumulator w silniku. Po usłyszeniu kliknięcia akumulator zablokuje się w miejscu. (Rys. 27)
- Stanąć za urządzeniem i przycisnąć uchwyt hamulca silnika (A) do górnego uchwytu. (Rys. 28)

- Nacisnąć i przytrzymać przycisk elektrycznego uruchomienia przez 3–5 sekund. Silnik przegrzewa się

Uwaga: Jeśli silnik nie uruchomi się, odczekać 1 minutę i spróbować ponownie uruchomić urządzenie.

Zatrzymywanie urządzenia

- Aby zatrzymać silnik, należy zwolnić dźwignię hamulca silnika.

Wymowanie akumulatora (LB 244E)

Aby zapobiec przypadkowemu uruchomieniu silnika, wyjąć akumulator, gdy urządzenie nie jest używane.

- Nacisnąć przyciski blokady (A) i wyciągnąć akumulator. (Rys. 29)

Uzyskiwanie dobrych rezultatów

- Używać zawsze dobrze naostrzonych ostrzy. Stępione ostrze daje nierównomierne rezultaty, a ścinana powierzchnia żółknie. Naostrzone ostrze zużywa również mniej energii niż ostrze stępione.
- Nie należy kosić więcej niż 1/3 długości trawy. Najpierw należy kosić przy użyciu dużej wysokości koszenia. Zbadać rezultaty i obniżyć wysokość koszenia do odpowiedniego poziomu. Jeśli trawa jest bardzo długa, w razie konieczności należy przejechać powoli i ścinać dwukrotnie.
- Kosić za każdym razem w różnych kierunkach, aby uniknąć powstawania pasów na trawniku.
- Utrzymywać osłonę zespołu tnącego w czystości. Nagromadzenie trawy i zanieczyszczeń po wewnętrznej stronie osłony zespołu tnącego może zmniejszyć efekt koszenia. Patrz *Czyszczenie powierzchni wewnętrznej osłony modułu tnącego na stronie 274*.

Przegląd

Wstęp



OSTRZEŻENIE: Przed przeprowadzeniem konserwacji należy przeczytać i zrozumieć rozdział o bezpieczeństwie.

Do wykonywania wszelkich prac serwisowych i naprawczych konieczne jest specjalistyczne przeszkolenie. Gwarantujemy dostępność profesjonalnych napraw i usług serwisowych. Jeśli dany dealer nie jest autoryzowanym punktem serwisowym, poproś sprzedawcę o informacje na temat najbliższego autoryzowanego punktu serwisowego.

Aby uzyskać więcej szczegółowych informacji, patrz www.husqvarna.com.

Plan konserwacji



UWAGA: Upewnić się, że filtr powietrza jest uniesiony i nie dotyka podłoża po przechyleniu produktu. Ryzyko uszkodzenia silnika.



UWAGA: W przypadku modeli z elektrycznym rozrusznikiem należy wyjąć akumulator przed przystąpieniem

do konserwacji, napraw lub czyszczenia produktu.

Czynności konserwacyjne oznaczone znakiem * objaśniono w instrukcjach w części *Urządzenia zabezpieczające na produkcji na stronie 270*.

Odstępy pomiędzy konserwacjami obliczane są w oparciu o codzienne wykorzystanie produktu. Odstępy te ulegają zmianie, jeśli maszyna nie jest użytkowana codziennie.

Konserwacja	Codziennie	Co miesiąc	Co sezon
Przeprowadzenie ogólnego przeglądu	X		
Kontrola poziomu oleju	X		
Wymiana oleju (pierwszy raz po 5 godzinach użytkowania, następnie po upływie każdych 50 godzin). ¹²⁰			X
Czyszczenie urządzenia	X		
Oczyścić obszar wokół dźwigni regulacji wysokości uchwytu	X		
Kontrola osprzętu tnącego	X		
Sprawdzanie osłony cięcia*	X		
Kontrola dźwigni hamulca silnika*	X		
Kontrola tłumika*		X	
Kontrola świecy zapłonowej. W razie potrzeby wyczyścić lub wymienić świecę zapłonową			X
Kontrola filtra powietrza	X		
Sprawdzić filtr powietrza ¹²¹		X	
Wymienić filtr powietrza			X
Kontrola układu paliwowego			X
Czyszczenie żeberek chłodzących cylindra.		X	

Przegląd ogólny

- Należy upewnić się, że wszystkie nakrętki i śruby maszyny są odpowiednio dokręcone.

Czyszczenie maszyny od zewnątrz

- W celu usunięcia liści, trawy i brudu należy użyć szczotki.
- Należy upewnić się, że wlot powietrza zlokalizowany nad silnikiem nie jest zablokowany.
- Nie używać myjek wysokociśnieniowych do czyszczenia urządzenia.
- Jeśli do czyszczenia maszyny używana jest woda, nie należy polewać nią bezpośrednio silnika.

Czyszczenie obszaru wokół dźwigni regulacji wysokości uchwytu

- W celu usunięcia liści, trawy i brudu należy użyć szczotki.
(Rys. 30)

Czyszczenie powierzchni wewnętrznej osłony modułu tnącego

- Opróżnić zbiornik paliwa.
- Przechylić maszynę. Upewnić się, że świeca zapłonowa jest skierowana w górę.

¹²⁰ Jeśli produkt jest użytkowany przy dużym obciążeniu lub w wysokich temperaturach otoczenia, olej silnikowy należy wymieniać co 25 godzin.

¹²¹ Czyścić częściej w warunkach dużego zapylenia lub w przypadku obecności zanieczyszczeń unoszących się w powietrzu. Wymienić wkład filtra powietrza, jeżeli jest bardzo brudny.



UWAGA: Jeśli maszyna położona zostanie ze skierowanym do dołu filtrem powietrza, może dojść do uszkodzenia silnika.

3. Należy spłukać powierzchnie wewnętrzne osłony osprzętu tnącego wodą.

Kontrola osprzętu tnącego



OSTRZEŻENIE: Aby zapobiec przypadkowemu uruchomieniu, należy odłączyć przewód zapłonowy od świecy zapłonowej.



OSTRZEŻENIE: W trakcie konserwacji narzędzi tnących należy korzystać z rękawic ochronnych. Ostrze jest bardzo ostre i może łatwo doprowadzić do skaleczenia.

1. Należy skontrolować, czy osprzęt tnący nie jest uszkodzony bądź pęknięty. Zawsze wymieniać uszkodzony osprzęt tnący.
2. Obejrzeć ostrze i upewnić się, że nie jest uszkodzone lub stępione.

Uwaga: Po ostrzeniu ostrze należy wypoziomować. Ostrzenie, wymiana i poziomowanie ostrza winno zostać przeprowadzone przez centrum serwisowe. W przypadku uderzenia w przeszkodę, która zatrzymuje maszynę, należy wymienić uszkodzone ostrze. Pozwolić, aby przedstawiciel serwisowy oszacował, czy ostrze można naostrzyć czy wymienić.

Wymiana noża

1. Zablokować nóż przy użyciu drewnianego bloku. (Rys. 31)
2. Wykręcić śrubę noża i wyjąć podkładkę sprężynową.
3. Zdjąć nóż.
4. Skontrolować wspornik noża oraz śrubę noża pod kątem uszkodzeń.
5. Skontrolować wał silnika, aby upewnić się, że nie jest zgięty.
6. Podczas mocowania nowego noża należy skierować zakrzywione końce noża ku pokrywie zespołu tnącego. (Rys. 32)
7. Upewnić się, że ostrze jest wyrównane względem środka wału silnika.
8. Zablokować nóż przy użyciu drewnianego bloku. Zamocować podkładkę sprężynową i dokręcić śrubę oraz podkładkę momentem dokręcania wynoszącym 44-46 Nm. (Rys. 33)
9. Obracać nożem za pomocą ręki i sprawdzić, czy obraca się swobodnie.



OSTRZEŻENIE: Nosić solidne rękawice ochronne. Nóż jest bardzo ostry i może łatwo doprowadzić do skaleczenia.

10. Uruchomić maszynę w celu przetestowania noża. Jeśli nóż nie został zamontowany prawidłowo, maszyna będzie wibrować lub rezultaty koszenia będą niezadowolające.

Kontrola poziomu oleju w modelu



UWAGA: Za niski poziom oleju może doprowadzić do poważnego uszkodzenia silnika. Przed uruchomieniem maszyny należy skontrolować poziom oleju.

1. Postawić maszynę na równym podłożu.
2. Odkręcić i wyjąć korek zbiornika oleju z zamocowanym przętowym wskaźnikiem poziomu oleju.
3. Zetrzeć olej z przętowego wskaźnika poziomu oleju.
4. Wcisnąć przętowy wskaźnik całkowicie do zbiornika oleju.
 - a) Nie przykręcać korka zbiornika oleju na LB 144.
 - b) Przykręcić korek zbiornika oleju na LB 244E.
5. Odkręcić korek zbiornika oleju i wyjąć przętowy wskaźnik poziomu oleju.
6. Sprawdzić poziom oleju na zamocowanym przętowym wskaźniku.
7. Jeśli poziom oleju jest zbyt niski, napełnić zbiornik olejem silnikowym i wykonać ponowną kontrolę poziomu oleju. (Rys. 34)

Uwaga: Użyć lejka, aby uniknąć rozlania.

8. Założyć korek zbiornika oleju, gdy poziom oleju jest prawidłowy.

Wymiana oleju silnikowego



OSTRZEŻENIE: Olej silnikowy jest niezwykle gorący bezpośrednio po wyłączeniu silnika. Poczekać na ostygnięcie silnika przed spuszczeniem oleju silnikowego. W przypadku rozlania oleju silnikowego na skórę, zmyć go wodą z mydłem.

(Rys. 35)

1. Obsługiwać maszynę do momentu opróżnienia zbiornika paliwowego.
2. Odłączyć przewód zapłonowy od świecy zapłonowej.
3. Odkręcić i wyjąć korek zbiornika oleju z zamocowanym przętowym wskaźnikiem poziomu oleju.

- Umieścić pod maszyną pojemnik, do którego zebrany zostanie olej silnikowy.
- Przechylić produkt lub spuścić olej silnikowy ze zbiornika oleju za pomocą pompy oleju (akcesorium).
- Napełnić nowym olejem silnikowym zgodnym z zaleceniami zawartymi w *Dane techniczne na stronie 280*.
- Skontrolować poziom oleju. Patrz *Kontrola poziomu oleju w modelu na stronie 275*.
- Założyć korek zbiornika oleju, gdy poziom oleju jest prawidłowy.

Filtr powietrza

Zanieczyszczony filtr powietrza może spowodować uszkodzenie lub nieprawidłowe działanie silnika. W warunkach dużego zapylenia należy częściej przeprowadzać czynności konserwacyjne filtra powietrza. Patrz *Plan konserwacji na stronie 273* aby uzyskać informacje na temat tego, kiedy należy wymienić filtr powietrza.

Uwaga: Zawsze wymieniać uszkodzony filtr powietrza.

Demontaż i montaż filtra powietrza (LB 244E)



OSTRZEŻENIE: Stosować rękawice ochronne.

- Wcisnąć zaciski na pokrywie filtra powietrza.
- Ostrożnie wymontować pokrywę filtra powietrza (A) z silnika.
- Wymontować filtr powietrza (B). (Rys. 36)
- Sprawdzić filtr powietrza pod kątem uszkodzeń. Uszkodzony filtr powietrza należy wymienić.
- Wyczyścić i sprawdzić filtr powietrza. Patrz *Czyszczenie filtra powietrza (LB 244E) na stronie 276*.
- Zamontować w odwrotnej kolejności.

Czyszczenie filtra powietrza (LB 244E)

Zanieczyszczony filtr powietrza może spowodować uszkodzenie lub nieprawidłowe działanie silnika. W warunkach dużego zapylenia należy częściej przeprowadzać czynności konserwacyjne filtra powietrza.

Patrz *Plan konserwacji na stronie 273* aby uzyskać informacje na temat tego, kiedy należy wymienić filtr powietrza.

- Zdjąć pokrywę filtra powietrza i wyjąć filtr.

- Wyczyścić filtr, opukując go o płaską powierzchnię. Do czyszczenia filtra nie należy używać rozpuszczalnika z ropą naftową lub naftą ani sprężonego powietrza.

Uwaga: Całkowite oczyszczenie filtrów powietrza po długim okresie użytkowania nie jest możliwe. Należy wymieniać filtr powietrza w równomiernych odstępach czasu. Uszkodzone filtry powietrza należy natychmiast wymienić na nowe.

- Podczas montażu filtra powietrza upewnić się, że ściśle przylega on do uchwytu filtra.

Czyszczenie filtra gąbkowego (LB 144)



UWAGA: Nie uruchamiać silnika bez filtrów powietrza. Zużycie silnika wzrasta, jeśli powietrze jest zanieczyszczone.

- Zdjąć pokrywę filtra powietrza (A). (Rys. 37)
- Wyjąć filtry gąbkowe (B).



UWAGA: Sprawdzić, czy filtry gąbkowe nie są uszkodzone lub zużyte. Wymienić wszystkie uszkodzone filtry gąbkowe.

- Wyczyścić filtry gąbkowe wodą z mydłem.
- Wyplukać filtry gąbkowe w czystej wodzie.
- Wycisnąć wodę z filtrów gąbkowych i pozostawić do wyschnięcia.



UWAGA: Nie używać sprężonego powietrza. Może ono spowodować uszkodzenie filtra gąbkowego.

- Nasmarować filtry gąbkowe olejem silnikowym.
- Przycisnąć do filtra gąbkowego czystą ściereczkę w celu usunięcia nadmiaru oleju.
- Założyć filtry gąbkowe. Upewnić się, że filtry gąbkowe ściśle przylegają do uchwytu filtra powietrza.
- Zamontować pokrywę filtra powietrza.

Konserwacja akumulatora (LB 244E)

Akumulator nie wymaga obsługi. Należy dopilnować, aby w razie konieczności konserwację akumulatora przeprowadziło autoryzowane centrum serwisowe.

Korzystanie z akumulatora po raz pierwszy (LB 244E)



UWAGA: Nie wolno dopuścić do całkowitego rozładowania akumulatora. Jeśli akumulator zostanie całkowicie rozładowany, urządzenie może ulec uszkodzeniu.

Przed pierwszym użyciem produktu należy naładować akumulator.

1. Podłączyć ładowarkę do akumulatora, patrz *Ładowanie akumulatora (LB 244E) na stronie 277*.
2. Poczekać, aż zapali się co najmniej 1 zielona dioda LED.
3. Zamontować akumulator w silniku, patrz *Rozrusznik elektryczny (LB 244E) na stronie 273*.

Ładowanie akumulatora (LB 244E)

Akumulator należy naładować, jeśli świeci się na nim tylko 1 kontrolka lub 0 kontrolki. Pełne naładowanie rozładowanego akumulatora zajmuje 2 godziny. Ładowanie przez krótszy czas nie uszkadza akumulatora.

1. Podłączyć ładowarkę do akumulatora. (Rys. 38)
2. Przyłączyć ładowarkę akumulatora do gniazdka elektrycznego, 100–240 V, 50–60 Hz.
3. Najpierw odłączyć ładowarkę od gniazdka elektrycznego, a następnie odłączyć ładowarkę od akumulatora.

Stan ładowarki

Kontrolka LED na akumulatorze	Status
Dioda LED 1 miga na czerwono.	1%–9%
Dioda LED 1 świeci ciągłym czerwonym światłem.	10%–32%
Dioda LED 1 świeci na zielono, a dioda LED 2 świeci na czerwono.	33%–54%
Diody LED 1 i 2 świecą na zielono, a dioda LED 3 świeci na czerwono.	55%–77%
Diody 1, 2 i 3 świecą na zielono, a dioda 4 świeci na czerwono.	78%–100%

Kontrolka na ładowarce	Status
Czerwone ciągłe światło	Akumulator ładuje się.
Zielone ciągłe światło	Akumulator jest w pełni naładowany.

Sprawdzanie świecy zapłonowej



UWAGA: Stosować wyłącznie świece zapłonowe zalecane przez producenta. Niewłaściwy typ świecy zapłonowej może spowodować uszkodzenie produktu.

- Sprawdzić świecę zapłonową, jeśli silnik ma za małą moc, trudno go uruchomić lub nie działa prawidłowo na biegu jałowym.

- Aby zmniejszyć ryzyko przedostawania się niepożądanych materiałów na elektrody świecy zapłonowej, należy przestrzegać poniższych instrukcji:
 - a) Dopilnować, by obroty biegu jałowego zostały prawidłowo wyregulowane.
 - b) Dopilnować, aby używana była odpowiednia mieszanka paliwowa.
 - c) Zadać o czystość filtra powietrza.
- Jeśli świeca zapłonowa jest zabrudzona, należy ją wyczyścić i upewnić się, że odstęp między elektrodami jest prawidłowy, patrz *Dane techniczne na stronie 280*. (Rys. 39)
- W razie potrzeby wymienić świecę zapłonową.

Kontrolowanie instalacji paliwowej

- Skontrolować korek zbiornika paliwa oraz uszczelkę korka zbiornika paliwa w celu upewnienia się, że nie występują żadne uszkodzenia.
- Skontrolować przewód paliwowy w celu upewnienia się, że nie przecieka. W przypadku uszkodzenia przewodu paliwowego zlecić jego wymianę przedstawicielowi serwisowemu.

Opróżnianie zbiornika paliwa.

1. Umieścić pojemnik pod zbiornikiem paliwa.
2. Odkręcić korek zbiornika paliwa.
3. Zaciśnąć opaski zaciskowe przewodu paliwowego na gaźniku.
4. Wymontować przewód paliwowy z gaźnika.
5. Umieścić przewód zbiornika paliwa w pojemniku i wymontować opaski zaciskowe przewodu.
6. Przechylić urządzenie i spuścić paliwo do pojemnika.

Wymiana filtra paliwa



OSTRZEŻENIE: Stosować rękawice ochronne.

1. Opróżnić zbiornik paliwa.
2. Odsunąć zaczepek przewodu z dala od zbiornika paliwa. (Rys. 40)
3. Odłączyć przewód paliwowy od zbiornika paliwa. Może dojść do wycieku niewielkiej ilości paliwa. (Rys. 41)
4. Wymontować filtr paliwa ze zbiornika paliwa. (Rys. 42)
5. Zamontować nowy filtr paliwa w zbiorniku paliwa.
6. Przymocować przewód paliwowy do zbiornika paliwa.
7. Przymocować zaczepek przewodu na miejscu, naprzeciw zbiornika paliwa.

Rozwiązywanie problemów z silnikiem

Problem	Możliwa przyczyna	Rozwiązanie
Silnik nie uruchamia się.	Przewód zapłonowy nie jest poprawnie podłączony.	Podłączyć przewód zapłonowy do świecy zapłonowej.
	Zbiornik paliwa jest pusty.	Zbiornik paliwa napełniać czystą mieszanką paliwową.
	Paliwo jest stare.	Opróżnić zbiornik paliwa i gaźnik. Zatkanować nową benzynę.
	Gaźnik lub przewód paliwowy jest zabrudzony.	Wyczyścić gaźnik i/lub przewód paliwowy.
	Świeca zapłonowa jest uszkodzona.	Wyregulować odstęp między elektrodami, wyczyścić lub wymienić świecę zapłonową.
	Na świecy zapłonowej znajduje się paliwo.	Oczyścić świecę zapłonową.
Silnik nie zatrzymuje się.	Mechanizm zatrzymania nie działa prawidłowo.	Odłączyć przewód zapłonowy od świecy zapłonowej. Wykonanie naprawy należy zlecić autoryzowanemu warsztatowi obsługi technicznej.
Silnik nie pracuje płynnie.	Przewód zapłonowy nie jest poprawnie podłączony.	Podłączyć przewód zapłonowy do świecy zapłonowej.
	Przewód paliwowy jest zabrudzony lub paliwo jest stare.	Wyczyścić przewód paliwowy. Napełnić zbiornik paliwa odpowiednim czystym paliwem.
	Zakrętka zbiornika paliwa jest zapchana.	Oczyścić korek zbiornika paliwa.
	W układzie paliwowym znajdują się zanieczyszczenia lub woda.	Opróżnić zbiornik paliwa. Napełnić zbiornik paliwa odpowiednim czystym paliwem.
	Filtr powietrza jest zabrudzony.	Oczyścić filtr powietrza.
	Należy wyregulować gaźnik.	Regulację gaźnika należy zlecić punktowi serwisowemu.
Silnik staje się zbyt gorący.	Poziom oleju silnikowego jest zbyt niski.	Napełnić olej silnikowy.
	Przepływ powietrza jest niewystarczający.	Wyczyścić filtr powietrza i obudowę filtra powietrza.
	Należy wyregulować gaźnik.	Regulację gaźnika należy zlecić punktowi serwisowemu.
Podczas pracy na wysokich obrotach silnika występują przerwy w zaplonie.	Odstęp między elektrodami świecy zapłonowej jest zbyt mały.	Ustawić odstęp między elektrodami.

Problem	Możliwa przyczyna	Rozwiązanie
Z silnika wydobywa się nieprzyjemny hałas przy normalnym obciążeniu.	Nieprawidłowy typ benzyny.	Opróżnić zbiornik paliwa i gaźnik. Zatańkować nową benzynę. Patrz <i>Kontrolowanie instalacji paliwowej na stronie 277</i> . Jeśli problem utrzymuje się, należy skontaktować się z lokalnym warsztatem obsługi technicznej.
Silnik nie pracuje płynnie przy obrotach biegu jałowego.	Świeca zapłonowa jest zanieczyszczona lub uszkodzona lub odstęp między elektrodami jest zbyt duży.	Wyregulować odstęp między elektrodami lub wymienić świecę zapłonową.
	Należy wyregulować gaźnik.	Wyregulować gaźnik.
	Filtr powietrza jest zabrudzony.	Oczyścić filtr powietrza.

Transport, przechowywanie i utylizacja

Transport i przechowywanie

- W zakresie przechowywania i transportu maszyny i paliwa należy upewnić się, że nie ma żadnych przecieków ani nie wydostają się z urządzenia żadne opary. Iskry lub otwarty płomień pochodzące, na przykład, z urządzeń elektrycznych lub kotłów, mogą wzniecić pożar.
- Zawsze należy korzystać z zatwierdzonych pojemników do przechowywania i transportu paliwa.
- Opróżnić zbiornik paliwa przed odłożeniem maszyny na dłuższy okres. Utylizacja paliwa w odpowiednim miejscu
- Podczas transportu, w celu zapobieżenia uszkodzeniom i wypadkom, maszynę należy bezpiecznie zamocować.
- Maszynę należy przechowywać w zamkniętym obszarze w celu uniemożliwienia dzieciom lub nieupoważnionym osobom uzyskania do niej dostępu.
- Produkt przechowywać w suchym obszarze nie narażonym na przymrozki.

Ustawianie urządzenia w pozycji transportowej

- Zwolnić pokrętła uchwytu. (Rys. 43)
- Złożyć uchwyt do przodu, aż osiągnie położenie końcowe. (Rys. 44)

Transport i przechowywanie akumulatora oraz ładowarki

- Nie wyjmować akumulatora, dopóki urządzenie nie będzie stało nieruchomo i nie ostygnie. Aby wyjąć akumulator, nacisnąć i przytrzymać przycisk u góry akumulatora, a następnie wyjąć go z gniazda.

- Jeśli czas przechowywania ma być dłuższy niż 30 dni, należy naładować akumulator, aż zaświecą się co najmniej 3 zielone diody.
- Akumulator należy ładować raz na 3 miesiące, aby zapobiec jego uszkodzeniu.
- Akumulator i ładowarka muszą być przechowywane w temperaturze od 5°C do 40°C. Wyższe temperatury lub źródła o wysokiej temperaturze, takie jak ogień, mogą spowodować uszkodzenie akumulatora.
- Nie należy rozmontowywać akumulatora.
- Nie zanurzać akumulatora w wodzie. Akumulator należy przechowywać w chłodnym i suchym miejscu o dobrej wentylacji.
- Jeśli z akumulatora wydziela się zapach spalenizny, jest on gorący lub ciepło deformuje akumulator podczas pracy, przechowywania lub ładowania, należy go wyjąć i nie używać.
- Aby zapobiec uszkodzeniom, należy upewnić się, że akumulator lub ładowarka są bezpiecznie zamocowane podczas transportu.
- Upewnić się, że ładowarka nie jest zbyt gorąca.

Utylizacja

- Przestrzegać lokalnych wymogów dotyczących recyklingu oraz obowiązujących przepisów.
- Zutyliżować wszelkie środki chemiczne, takie jak olej silnikowy lub płyn przeciw zamarzaniu, w centrum serwisowym lub w odpowiednim miejscu utylizacji.
- Gdy produkt nie jest już użytkowany, należy go odesłać Husqvarna do dealera lub zutyliżować w centrum utylizacji.
- Należy oddać akumulator do centrum serwisowego lub punktu utylizacji zużytych akumulatorów.

Dane techniczne

Dane techniczne

	LB 144	LB 244E
Silnik		
Marka	Husqvarna	Husqvarna
Model	HS 123A	HS 139AE
Typ silnika	Jednocylindrowy, 4-suwo- wy, wymuszony obieg po- wietrza chłodzącego, OHV	Jednocylindrowy, 4-suwo- wy, wymuszony obieg po- wietrza chłodzącego, OHV
Pojemność, cm ³	123	139
Prędkość obrotowa silnika — znamionowa, obr./min	3000/min	2900/min
Nominalna moc wyjściowa silnika (kW) ¹²²	1,95	2,2
Układ zapłonowy		
Świeca zapłonowa	Husqvarna HQT-7	Husqvarna HQT-7
Odstęp między elektrodami, w mm	0,7–0,8	0,7–0,8
Układ zasilania/smarowania		
Metoda smarowania silnika	Rozprysk	Rozprysk
Pojemność zbiornika paliwa, w l	0,9	0,9
Pojemność zbiornika oleju, l	0,5	0,5
Olej silnikowy ¹²³	Husqvarna SAE 30, Husq- varna SAE 5W-30 synte- tyczny, Husqvarna SAE 10W-40	Husqvarna SAE 30, Husq- varna SAE 5W-30 synte- tyczny, Husqvarna SAE 10W-40
Waga		
Z pustymi zbiornikami, kg	22	23,5
Poziom hałasu ¹²⁴		
Zmierzony poziom mocy akustycznej, dB(A)	91	92
Poziom głośności, gwarantowana moc akustyczna L _{WA} dB(A)	94	94

¹²² Moc silnika podana jest jako średnia, wyjściowa moc znamionowa (przy podanych obrotach) dla typowego modelu produkowanego silnika zmierzonego wg normy SAE J1349/ISO1585. Silniki produkowane masowo mogą odbiegać od tej wartości. Aktualna moc wyjściowa zainstalowanego na maszynie silnika zależy będzie od prędkości obrotowej, warunków otoczenia oraz innych wartości.

¹²³ Używać olejów silnikowych wyłącznie o jakości API SJ lub wyższej. Jeśli olej SAE-30 jest stosowany w temperaturze poniżej +5°C, istnieje ryzyko, że silnik nie będzie odpowiednio smarowany. Może to doprowadzić do uszkodzenia silnika. Informacje na temat prawidłowego poziomu oleju dla niskich temperatur można znaleźć w *Wymiana oleju silnikowego na stronie 275*. Zapoznać się z tabelą lepkości oleju umieszczoną w instrukcji obsługi silnika (jeśli jest dołączona) i wybrać optymalną lepkość na podstawie przewidywanej temperatury zewnętrznej.

¹²⁴ Emisję hałasu do otoczenia zmierzono jako moc akustyczną (L_{WA}), zgodnie z dyrektywą Rady 2000/14/WE.

	LB 144	LB 244E
Poziomy głośności ¹²⁵		
Poziom ciśnienia akustycznego przy uchu operatora, dB(A)	79	80
Poziomy drgań ¹²⁶		
Drgania górnego uchwytu, m/s ²	7,6	6,0
Osprzęt tnący		
Wysokość koszenia, mm	25–75	25–75
Szerokość koszenia, mm	440	440
Układ tnący	BioClip®	BioClip®
Ostrze — standardowe	Mulczowanie 5464584-10	Mulczowanie 5464584-10
Układ rozruchu		
Rozrusznik elektryczny	Nie	Tak
Akumulator	-	Litowo-jonowy, 10,8 V, 21,6 Wh

¹²⁵ Odnotowane dane dla ciśnienia akustycznego mają typowe rozproszenie statystyczne (odchylenie standardowe) w wysokości 1,2 dB (A).

¹²⁶ Odnotowane dane dla poziomej wibracji mają typowe rozproszenie statystyczne (odchylenie standardowe) w wysokości 0,2 m/s².

Deklaracja zgodności

Deklaracja zgodności UE

Firma **Husqvarna AB**, SE-561 82 Huskvarna,
Szwecja, tel.: +46-36-146500, deklarujemy z pełną
odpowiedzialnością, że produkt:

Opis	Kosiarka
Marka	Husqvarna
Typ/model	LB 144, LB 244E
Identyfikacja	Numery seryjne z roku 2023 i nowsze

spełnia wszystkie wymagania określone w odpowiednich
dyrektywach i przepisach UE:

Przepis	Opis
2006/42/WE	„w sprawie maszyn”
2014/30/UE	„w sprawie kompatybilności elektromagnetycznej”
2000/14/WE	„dotycząca emisji hałasu do środowiska”
2011/65/UE	„dotycząca ograniczenia użycia niektórych substancji niebezpiecznych w sprzęcie elektrycznym i elektronicznym”

oraz został zaprojektowany zgodnie z następującymi
normami i parametrami technicznymi:
EN ISO 5395-1:2013+A1:2018, EN ISO
5395-2:2013+A1:2016+A2:2017, EN IEC 63000:2018,
EN ISO 14982:2009

Jednostka notyfikowana: 0404, SMP Svensk
Maskinprovning AB, Box 4053, SE-904 03 Umeå,
Szwecja potwierdza zgodność z dyrektywą rady
2000/14/WE, procedura oceny zgodności: Załącznik VI.

Informacje dotyczące emisji hałasu, patrz *Dane
techniczne na stronie 280*.

Husqvarna, 2023-09-18

Claes Losdal, Szef ds. Rozwoju Produkcji/Produkty
ogrodowe, Husqvarna AB

Osoba odpowiedzialna za dokumentację techniczną



ÍNDICE

Introdução.....	283	Resolução de problemas no motor.....	294
Segurança.....	284	Transporte, armazenamento e eliminação.....	295
Montagem.....	287	Especificações técnicas.....	296
Funcionamento.....	287	Declaração de conformidade.....	298
Manutenção.....	289		

Introdução

Descrição do produto

O produto é um corta-relva giratório de controlo apeado que utiliza BioClip para cortar a relva e torná-la em fertilizante.

Vista geral do produto

(Fig. 1)

1. Punho de travão do motor
2. Punho/barra de direção
3. Punho do cabo de arranque (LB 144)
4. Alavanca da altura de corte
5. Vareta e tampa de óleo
6. Silenciador
7. Vela de ignição
8. Pega de elevação
9. Manípulo de ajuste da altura da barra de direção
10. Tampa do depósito de combustível
11. Filtro de ar
12. Tampa de corte
13. Lâmina
14. Arruela de pressão
15. Parafuso da lâmina
16. Bateria, dispositivo de segurança (LB 244E)
17. Botão de arranque elétrico (LB 244E)
18. Manual do utilizador

Símbolos no produto

- (Fig. 2) AVISO! Seja cuidadoso e utilize o produto corretamente. Este produto pode provocar ferimentos graves ou a morte do utilizador ou terceiros.
- (Fig. 3) Leia o manual do utilizador com atenção e certifique-se de que compreende as instruções antes de utilizar o produto.
- (Fig. 4) Tenha cuidado com objetos projetados e ricochetes.
- (Fig. 5) Mantenha as pessoas e os animais a uma distância de segurança da área de trabalho.

Finalidade

Utilize o produto para cortar a relva. Não utilize o produto para outras tarefas.

- (Fig. 6) Aviso: Mantenha as mãos e os pés afastados da lâmina rotativa.
- (Fig. 7) Aviso: Mantenha as mãos e os pés afastados das peças rotativas.
- (Fig. 8) Desligue o motor e retire o cabo de ignição antes de realizar tarefas de reparação ou manutenção.
- (Fig. 9) Este produto está em conformidade com as diretivas aplicáveis da CE.
- (Fig. 10) Emissão de ruído para a etiqueta ambiental de acordo com as diretivas e regulamentos da União Europeia e do Reino Unido e o regulamento "Protection of the Environment Operations (Noise Control) Regulation 2017" (regulamento de proteção de operações no meio ambiente [controlo do ruído] de 2017) da Nova Gales do Sul. O nível de potência sonora garantido do produto está especificado nas *Especificações técnicas na página 296* e na etiqueta.
- (Fig. 11) Este produto está em conformidade com o regulamento aplicáveis do Reino Unido.
- (Fig. 12) Risco de incêndio.
- (Fig. 13) Não respire os gases de escape. Os gases de escape do motor contêm monóxido de carbono, um gás inodoro, tóxico e altamente perigoso. Não ligue o motor em zonas interiores ou em espaços fechados.

- (Fig. 14) Superfície quente.
- (Fig. 16) Encha o motor com óleo antes de ligar o produto.
- (Fig. 17) Procedimento de arranque para LB 144: Empurre o punho de travão do motor para baixo e puxe o punho do cabo de arranque.
- (Fig. 18) Procedimento de arranque para LB 244E: Empurre o punho de travão do motor para baixo e prima o botão START.

(Fig. 15) Código para leitura.

Nota: Os restantes símbolos/autocolantes existentes no produto dizem respeito a exigências para homologação em outras áreas comerciais.

Danos no produto

Não somos responsáveis por danos no nosso produto se:

- o produto tiver sido incorretamente reparado.
- o produto tiver sido reparado com peças que não sejam do fabricante ou que não sejam aprovadas pelo fabricante.
- o produto tiver um acessório que não seja do fabricante ou que não seja aprovado pelo fabricante.
- o produto não tiver sido reparado por um centro de assistência autorizado ou por uma autoridade aprovada.

Emissões Euro V



ATENÇÃO: A adulteração do motor anula a aprovação deste produto pela UE.

Segurança

Definições de segurança

Os avisos, as precauções e as notas são utilizados para indicar partes especialmente importantes do manual.



ATENÇÃO: Utilizado no caso de existir risco de ferimento ou morte para o utilizador ou transeuntes, se não forem respeitadas as instruções do manual.



CUIDADO: Utilizado se existir risco de danos para o produto, para outros materiais ou para a área adjacente, se não forem respeitadas as instruções do manual.

Nota: Utilizado para disponibilizar informações adicionais necessárias numa determinada situação.

Instruções de segurança gerais



ATENÇÃO: Leia as instruções de aviso que se seguem antes de utilizar o produto.

- Este produto é perigoso se for utilizado de forma incorreta ou se não o utilizador for cuidadoso. Podem ocorrer ferimentos graves ou mesmo morte se as instruções de segurança não forem respeitadas.
- Este produto produz um campo eletromagnético durante o funcionamento. Em determinadas circunstâncias, este campo pode interferir com o

funcionamento de implantes médicos ativos ou passivos. Para diminuir o risco de ferimentos graves ou mortais, recomendamos que os portadores de implantes médicos consultem o seu médico e o fabricante do implante antes de utilizar este produto.

- Seja sempre cuidadoso e use o seu senso comum. Se não tiver a certeza sobre como utilizar o produto numa situação especial, pare e fale com o seu distribuidor Husqvarna antes de continuar.
- Tenha em atenção que o utilizador é responsável pelos acidentes que incluam outras pessoas ou a respetiva propriedade.
- Mantenha o produto limpo. Certifique-se de que pode ler claramente os sinais e os autocolantes.
- Não permita que o produto seja utilizado por pessoas que não tenham lido e compreendido o conteúdo do manual do utilizador.
- Não deixe uma criança utilizar o produto.
- Mantenha as crianças afastadas da área de trabalho. Tem de estar sempre presente um adulto responsável.
- Não deixe que o produto seja utilizado por uma pessoa que não conhece as instruções.
- Monitorize sempre a utilização do produto por pessoas com diminuição da capacidade física ou mental. Tem de estar sempre presente um adulto responsável.
- Não utilize o produto se estiver cansado, doente ou sob a influência de álcool, drogas ou medicamentos. Estes têm um efeito negativo na sua visão, atenção, capacidade de discernimento ou controlo físico.
- Não utilize um produto que esteja danificado ou que não funcione corretamente.

- Não altere este produto e não o utilize se houver a possibilidade de ter sido alterado por outros.
- Não altere o ajuste do controle da velocidade do motor.

Segurança no local de trabalho



ATENÇÃO: Leia as instruções de aviso que se seguem antes de utilizar o produto.

- Retire objetos como ramos, galhos e pedras da área de trabalho antes de utilizar o produto.
- Os objetos que embatam no equipamento de corte podem ser projetados e causar danos a pessoas e objetos. Mantenha terceiros e animais a uma distância de segurança do produto.
- Nunca utilize o produto em más condições meteorológicas, como nevoeiro, chuva, ventos fortes, frio intenso e risco de trovoadas. A utilização do produto em más condições meteorológicas ou em localizações molhadas ou com humidade é cansativa. As más condições meteorológicas podem causar condições perigosas, como superfícies escorregadias.
- Observe se há pessoas, objetos e situações que possam impedir o funcionamento seguro do produto.
- Observe se há obstáculos como raízes, pedras, ramos, buracos e valas. A relva longa pode ocultar obstáculos.
- Cortar relva em declives pode ser perigoso. Não utilize o produto em terrenos com um declive superior a 15°.
- Utilize o produto ao longo da face dos declives. Não se desloque para cima e para baixo.
- Tenha cuidado ao aproximar-se de esquinas com pouca visibilidade e de objetos que possam impedir uma boa visibilidade.
- Certifique-se de que a lâmina não atinge objetos como pedras e raízes. Isto pode causar danos à lâmina e dobrar o eixo do motor. Um eixo dobrado provoca fortes vibrações e um elevado risco de a lâmina se soltar.
- Se a lâmina atingir um objeto ou ocorrerem vibrações, pare o produto imediatamente. Desligue o cabo de ignição da vela de ignição. Examine se o produto apresenta sinais de danos. Repare os danos ou solicite a reparação numa oficina autorizada.
- Nunca ligue o manípulo de travão do motor de modo permanente ao punho durante o arranque do motor.
- Coloque o produto numa superfície estável e plana e ligue-o. Certifique-se de que a lâmina não atinge o solo ou outros objetos.
- Mantenha-se sempre por trás do produto quando o operar.
- Mantenha todas as rodas no chão e as duas mãos sobre o punho quando utilizar o produto. Mantenha as mãos e os pés afastados das lâminas rotativas.
- Não incline o produto quando ligar o motor.
- Tenha cuidado quando puxar o produto para trás.
- Nunca levante o produto quando ligar o motor. Se tiver de levantar o produto, desligue primeiro o motor e o cabo de ignição da vela de ignição.
- Não caminhe para trás quando operar o produto.
- Desligue o motor quando se deslocar em zonas sem relva, por exemplo caminhos de gravilha, pedra e asfalto.
- Não corra com o produto quando o motor está ligado. Caminhe sempre que operar o produto.
- Pare o motor antes de mudar a altura de corte. Nunca efetue ajustes com o motor ligado.
- Nunca deixe o produto fora de vista com o motor ligado. Pare o motor e certifique-se de que o equipamento de corte não roda.

Segurança do trabalho



ATENÇÃO: Leia as instruções de aviso que se seguem antes de utilizar o produto.

- Utilize este produto apenas para cortar relva. Não é permitido utilizá-lo para outras tarefas.
- Use equipamento de proteção pessoal. Consulte *Equipamento de proteção pessoal na página 285*.
- Certifique-se de que sabe como desligar o motor rapidamente em caso de emergência.
- Nunca ligue o motor num espaço fechado ou perto de material inflamável. Os gases de escape do motor são quentes e podem conter faíscas causadoras de incêndios.
- Não utilize o produto, a menos que a lâmina e todas as coberturas estejam corretamente montadas. Uma lâmina montada incorretamente pode soltar-se e causar ferimentos pessoais.

Instruções de segurança para funcionamento

Equipamento de proteção pessoal



ATENÇÃO: Leia as instruções de aviso que se seguem antes de utilizar o produto.

- O equipamento de proteção pessoal não previne totalmente os ferimentos mas diminui a respetiva gravidade em caso de acidente. Obtenha ajuda junto do seu concessionário para selecionar o equipamento certo.
- Utilize protetores acústicos se o nível de ruído for superior a 85 dB.
- Use botas ou sapatos antiderrapantes resistentes. Não use calçado aberto nem ande com os pés descalços.
- Use calças compridas e resistentes.

- Use luvas de proteção sempre que necessário, por exemplo, ao fixar, examinar ou limpar o equipamento de corte.

junto de materiais inflamáveis e/ou vapores para evitar incêndios.

Dispositivos de segurança no produto



ATENÇÃO: Leia as instruções de aviso que se seguem antes de utilizar o produto.

- Não utilize um produto com dispositivos de segurança danificados ou que não funcionem corretamente.
- Verifique regularmente os dispositivos de segurança. Se os dispositivos de segurança estiverem danificados ou não funcionarem corretamente, contacte o seu distribuidor com assistência técnica Husqvarna.
- Não realize modificações aos dispositivos de segurança.

Verificar a cobertura de corte

A cobertura de corte reduz as vibrações no produto e o risco de ferimentos causados pela lâmina.

- Examine a cobertura de corte para se certificar de que não existem danos, como fissuras.

Bateria (LB 244E)



ATENÇÃO: Uma bateria danificada diminui a segurança do produto. Utilize sempre uma bateria aprovada pelo fabricante.

A bateria fornece energia para o arranque elétrico e é um dispositivo de segurança que impede o arranque acidental. Remova a bateria quando não estiver a utilizar o produto e quando o deixar fora de vista.

Verificar o punho do travão do motor

O manípulo de travão do motor para o motor. Quando o manípulo de travão do motor é libertado, o motor para.

- Ligue o motor e depois solte o punho do travão do motor. Se o motor não parar em 3 segundos, solicite o ajuste do travão do motor numa oficina Husqvarna autorizada. (Fig. 19)

Silenciador

O silenciador mantém o mais baixo nível de ruído possível e afasta os gases de escape do utilizador.

Não utilize o produto se o silenciador estiver danificado ou estiver em falta. Um silenciador danificado aumenta o nível de ruído e o risco de incêndio.



ATENÇÃO: O silenciador fica muito quente durante e após a utilização e quando o motor funciona ao ralenti. Tenha cuidado

Verificar o silenciador

- Examine o silenciador regularmente para se certificar de que está bem fixo e não está danificado.

Segurança no manuseamento do combustível



ATENÇÃO: Leia as instruções de aviso que se seguem antes de utilizar o produto.

- Não ligue o produto se existir combustível ou óleo do motor sobre o produto. Remova o combustível/ óleo indesejado e deixe o produto secar.
- Se derramar combustível na sua roupa, troque de roupa imediatamente.
- Não deixe que o combustível entre em contacto com o seu corpo, pois pode causar ferimentos. Se o combustível entrar em contacto com o seu corpo, utilize sabão e água para o remover.
- Não ligue o produto se o motor tiver uma fuga. Examine regularmente o motor quanto a fugas.
- Tenha cuidado com o combustível. O combustível é inflamável e os gases são explosivos e podem causar ferimentos ou a morte.
- Não respire os gases do combustível, podem causar ferimentos. Certifique-se de que existe um fluxo de ar suficiente.
- Não fume perto de combustível ou do motor.
- Não coloque objetos quentes perto do combustível ou do motor.
- Não acrescente combustível com o motor em funcionamento.
- Certifique-se de que o motor está frio antes de reabastecer.
- Antes de reabastecer, abra lentamente a tampa do depósito de combustível e liberte a pressão com cuidado.
- Não adicione combustível ao motor numa área interior. Um fluxo de ar insuficiente pode causar ferimentos ou morte devido a asfíxia ou monóxido de carbono.
- Aperte completamente a tampa do depósito de combustível. Se a tampa do depósito de combustível não estiver apertada, existe risco de incêndio.
- Desloque o produto para uma distância mínima de 3 m (10 pés) da posição onde abastecer o depósito antes de um arranque.
- Não encha totalmente o depósito de combustível. O calor provoca a expansão do combustível. Deixe espaço vazio na parte superior do depósito de combustível.
- Nunca guarde o produto com combustível no respetivo depósito dentro de um edifício onde existam fontes de ignição, tais como caldeiras, aquecedores ou secadores de vestuário. Deixe o

motor arrefecer antes de o armazenar em qualquer espaço fechado.

Instruções de segurança para manutenção



ATENÇÃO: Leia as instruções de aviso que se seguem antes de utilizar o produto.

- Os gases de escape do motor contêm monóxido de carbono, um gás inodoro, tóxico e altamente perigoso. Não ligue o motor em zonas interiores ou em espaços fechados.
- Antes de proceder à manutenção do produto, desligue o motor e retire o cabo de ignição da vela de ignição. No LB 244E, retire também a bateria.
- Use luvas de proteção quando realizar a manutenção do equipamento de corte. A lâmina é muito afiada e pode facilmente provocar cortes.

- A utilização de acessórios e a realização de alterações no produto que não sejam aprovadas pelo fabricante podem causar ferimentos graves ou morte. Não altere o produto. Utilize sempre acessórios que sejam aprovados pelo fabricante.
- Se a manutenção não for realizada de forma correta e regular, o risco de ferimentos e danos no produto aumenta.
- Realize apenas tarefas de manutenção indicadas neste manual do proprietário. Todas as outras operações de manutenção devem ser realizadas por uma oficina Husqvarna autorizada.
- Leve o produto regularmente a uma oficina Husqvarna autorizada para realizar a manutenção.
- Substitua as peças danificadas, gastas ou partidas.

Montagem

Introdução



ATENÇÃO: Antes de montar o produto, tem de ler e compreender o capítulo sobre segurança.



ATENÇÃO: Retire o cabo da vela de ignição antes de montar o produto.

2. Aperte os botões do punho. (Fig. 21)

Ajustar a altura do punho

1. Certifique-se de que o manípulo de ajuste da altura está na ranhura. Pressione o manípulo de ajuste da altura com o pé, se o mesmo não estiver colocado na ranhura. (Fig. 22)
2. Pressione o manípulo de ajuste da altura com o pé.
3. Coloque a barra de direção na devida posição e solte-a. (Fig. 23)

Montar o punho

1. Puxe o punho para trás até atingir a posição final. (Fig. 20)

Funcionamento

Introdução



ATENÇÃO: Antes de utilizar o produto, tem ler e compreender o capítulo sobre segurança.

Husqvarna Connect

A Husqvarna Connect é uma aplicação gratuita para o seu dispositivo móvel. A aplicação Husqvarna Connect disponibiliza funções alargadas para o seu produto Husqvarna:

- Informações alargadas sobre o produto.
- Informações sobre, e ajuda relacionada com peças e manutenção do produto.

Começar a utilizar Husqvarna Connect

1. Transfira a aplicação Husqvarna Connect para o seu dispositivo móvel.
2. Registe-se na aplicação Husqvarna Connect.
3. Siga os passos das instruções na aplicação Husqvarna Connect para ligar e registar o produto.

Antes de utilizar o produto

1. Leia o manual do utilizador com atenção e certifique-se de que compreende as instruções.
2. Examine o equipamento de corte para se certificar de que está corretamente montado e ajustado. Consulte *Para examinar o equipamento de corte na página 290*.

3. Verifique o nível do óleo e abasteça com óleo do motor, se necessário. Consulte *Verificar o nível do óleo na página 291*.
4. Encha o depósito de combustível. Consulte *Encher o depósito de combustível na página 288*.

Encher o depósito de combustível

Se disponível, utilize gasolina com base em alquilatos/ecológica. Se não estiver disponível gasolina com base em alquilatos/ecológica, utilize gasolina sem chumbo de boa qualidade ou gasolina com chumbo com um índice de octanas de pelo menos 91.



CUIDADO: Não utilize gasolina com um índice de octanas inferior a 91 RON. Caso contrário, pode causar danos no produto.



CUIDADO: Substitua o filtro de combustível anualmente ou com maior frequência, se necessário. Está disponível um novo filtro de combustível no seu distribuidor Husqvarna.



CUIDADO: Pare sempre o motor antes de abastecer com combustível.



CUIDADO: Não utilize líquidos de arranque pressurizados.

1. Abra a tampa do depósito de combustível devagar para libertar a pressão.
2. Encha lentamente com um recipiente de combustível. Se derramar combustível, retire-o com um pano e deixe o combustível restante secar. (Fig. 24)
3. Limpe bem à volta da tampa do depósito de combustível.
4. Aperte completamente a tampa do depósito de combustível. Se a tampa do depósito de combustível não estiver apertada, existe risco de incêndio.
5. Desloque o produto para uma distância mínima de 3 m (10 pés) da posição onde abasteceu o depósito antes de um arranque.

Colocar o produto na posição de funcionamento

1. Monte o punho. Consulte *Montar o punho na página 287*.
2. Ajuste a altura do punho. Consulte *Ajustar a altura do punho na página 287*.



CUIDADO: Certifique-se de que não existe demasiada tensão nos cabos. Uma tensão demasiado elevada pode provocar danos no cabo se a barra estiver dobrada na posição de transporte.



ATENÇÃO: Não utilize o produto a não ser que o punho esteja totalmente dobrado para cima e colocado numa das posições de altura aplicáveis. Consulte *Ajustar a altura do punho na página 287*.

Definir a altura de corte

A altura de corte pode ser ajustada para 6 alturas diferentes.

1. Desligue o motor.
2. Mova a alavanca da altura de corte para trás para aumentar a altura de corte. (Fig. 25)
3. Mova a alavanca da altura de corte para a frente para diminuir a altura de corte.



CUIDADO: Não regule a altura de corte demasiado baixa. As lâminas podem entrar em contacto com o solo se a superfície do relvado não estiver nivelada.

Arranque

- Certifique-se de que o cabo de ignição está ligado à vela de ignição.

Arranque manual (LB 144)

1. Mantenha-se atrás do produto.
2. Segure o punho de travão do motor contra o punho superior. (Fig. 26)
3. Segure o punho do cabo de arranque com a mão direita.
4. Puxe lentamente o cabo de arranque até sentir alguma resistência.
5. Puxe com força para fazer arrancar o motor.



ATENÇÃO: Não enrole o cabo de arranque na mão.

Arranque elétrico (LB 244E)

1. Certifique-se de que a bateria está carregada. Consulte *Manutenção da bateria (LB 244E) na página 292*.
2. Fixe a bateria ao motor. A bateria bloqueia na posição pretendida quando se ouve um clique. (Fig. 27)

- Mantenha-se atrás do produto e segure o punho de travão do motor (A) contra o punho superior. (Fig. 28)
- Mantenha premido o botão de arranque elétrico (B) durante 3 a 5 segundos. O motor arranca.

Nota: Se o motor não arrancar, aguarde 1 minuto e tente ligar o produto novamente.

Para desligar o produto

- Para parar o motor solte o manipulador de travão do motor.

Retirar a bateria (LB 244E)

Para evitar o arranque acidental do motor, retire a bateria quando o produto não estiver em funcionamento.

- Prima o botão de bloqueio (A) e puxe a bateria para fora. (Fig. 29)

Para obter bons resultados

- Utilize sempre uma lâmina bem afiada. Uma lâmina romba produz um resultado irregular e a superfície de corte da relva fica amarela. Uma lâmina afiada também gasta menos energia que uma lâmina romba.
- Não corte mais do que $\frac{1}{3}$ do comprimento da relva. Corte primeiro com a altura de corte alta. Examine o resultado e reduza a altura de corte para um nível aplicável. Caso a relva esteja muito comprida, avance lentamente e corte duas vezes, se necessário.
- Corte em diferentes direções de cada vez, para evitar a formação de linhas no relvado.
- Mantenha a cobertura de corte limpa. A acumulação de relva e sujidade no lado interior da cobertura de corte pode diminuir o resultado de corte. Consulte *Para limpar a superfície interior da cobertura de corte na página 290.*

Manutenção

Introdução



ATENÇÃO: Antes de efetuar a manutenção, tem de ler e compreender o capítulo sobre segurança.

É necessário ter formação especial para realizar qualquer tarefa de manutenção ou reparação. Garantimos a disponibilidade de reparações e manutenção profissionais. Se o seu distribuidor não for uma oficina autorizada, pergunte-lhe onde se situa a oficina autorizada mais próxima.

Para obter informações mais detalhadas, consulte www.husqvarna.com.

Esquema de manutenção



CUIDADO: Quando inclina o produto, certifique-se de que o filtro de ar está virado

para cima e não contra o solo. Risco de danos no motor.



CUIDADO: Para modelos com arranque elétrico, retire a bateria antes de efetuar a manutenção, reparação ou limpeza do produto.

Os intervalos de manutenção são calculados a partir da utilização diária do produto. Os intervalos são alterados se o produto não for utilizado diariamente.

Relativamente às tarefas de manutenção identificadas com *, consulte as instruções em *Dispositivos de segurança no produto na página 286.*

Manutenção	Diariamente	Mensalmente	A cada estação
Efetuar uma inspeção geral	X		
Examinar o nível do óleo	X		
Substituir o óleo (pela primeira vez após 5 horas de utilização e, posteriormente, após cada 50 horas de utilização) ¹²⁷			X
Limpar o produto	X		

¹²⁷ Se o produto for utilizado com carga pesada ou em temperaturas ambiente elevadas, substitua o óleo de motor a cada 25 horas.

Manutenção	Diariamente	Mensalmente	A cada estação
Limpar a área à volta do manípulo de ajuste da altura	X		
Examinar o equipamento de corte	X		
Examinar a tampa de corte*	X		
Examinar o punho de travão do motor*	X		
Examinar o silenciador*		X	
Examinar a vela de ignição. Se necessário, limpe ou substitua a vela de ignição			X
Examinar o filtro de ar	X		
Limpar o filtro de ar ¹²⁸		X	
Substituir o filtro de ar			X
Examinar o sistema de combustível			X
Limpar as aletas de arrefecimento do cilindro		X	

Para efetuar uma inspeção geral

- Certifique-se de que todas as porcas e os parafusos do produto estão apertados corretamente.

Para limpar o produto externamente

- Utilize uma escova para remover folhas, relva e sujidade.
- Certifique-se de que a entrada de ar na parte superior do motor não está bloqueada.
- Não utilize uma máquina de lavar à pressão para limpar o produto.
- Se utilizar água para limpar o produto, não verta água diretamente sobre o motor.

Limpar a área à volta do manípulo de ajuste da altura

- Utilize uma escova para remover folhas, relva e sujidade.
(Fig. 30)

Para limpar a superfície interior da cobertura de corte

1. Esvazie o depósito de combustível.
2. Incline o produto. Certifique-se de que a vela de ignição aponta para cima.



CUIDADO: Se o produto for colocado com o filtro de ar para baixo, o motor pode sofrer danos.

3. Utilize uma mangueira para enxaguar a superfície interna da cobertura de corte com água.

Para examinar o equipamento de corte



ATENÇÃO: Para evitar o arranque acidental retire o cabo de ignição da vela de ignição.



ATENÇÃO: Use luvas de proteção quando realizar a manutenção do equipamento de corte. A lâmina é muito afiada e pode facilmente provocar cortes.

1. Examine se o equipamento de corte está danificado ou se apresenta fissuras. Substitua sempre um equipamento de corte danificado.
2. Olhe para a lâmina para verificar se está danificada ou romba.

Nota: É necessário estabilizar a lâmina depois de ser afiada. Afie, substitua e estabilize a lâmina numa oficina especializada. Se atingir um obstáculo que faça o produto parar, substitua a lâmina danificada. Um centro de assistência deve avaliar se a lâmina pode ser afiada ou se tem de ser substituída.

Substituir a lâmina

1. Bloqueie a lâmina com um bloco de madeira. (Fig. 31)

¹²⁸ Limpe com mais frequência em ambientes poeirentos ou quando existirem resíduos aéreos. Substitua o filtro de ar, se estiver muito sujo.

2. Remova o parafuso da lâmina e a arruela de pressão.
3. Retire a lâmina.
4. Examine o suporte e o parafuso da lâmina para verificar se existem danos.
5. Examine o eixo do motor para se certificar de que não se encontra dobrado.
6. Quando colocar a lâmina nova, aponte as extremidades angulares da lâmina na direção da cobertura de corte. (Fig. 32)
7. Certifique-se de que a lâmina está alinhada com a parte central do eixo do motor.
8. Bloqueie a lâmina com um bloco de madeira. Prenda a anilha de pressão e aperte o parafuso e a anilha com um binário de 44-46 Nm. (Fig. 33)
9. Faça rodar a lâmina com a mão de modo a assegurar-se de que roda livremente.



ATENÇÃO: Use luvas resistentes. A lâmina é muito afiada e pode facilmente provocar cortes.

10. Ligue o produto para testar a lâmina. Se a lâmina não estiver corretamente ligada, o produto vibra ou o resultado de corte não é satisfatório.

Verificar o nível do óleo



CUIDADO: Um nível de óleo demasiado baixo causa danos no motor. Verifique o nível do óleo antes de ligar o produto.

1. Coloque o produto num piso nivelado.
2. Remova a tampa do depósito de óleo e a vareta de nível fixada.
3. Limpe o óleo da vareta de nível.
4. Introduza totalmente a vareta no depósito de óleo.
 - a) Não coloque a tampa do depósito de óleo no LB 144.
 - b) Coloque a tampa do depósito de óleo no LB 244E.
5. Remova a tampa do depósito de óleo e a vareta de nível.
6. Examine o nível do óleo na vareta de nível fixada.
7. Se o nível do óleo estiver baixo, encha com óleo de motor e verifique novamente o nível do óleo. (Fig. 34)

Nota: Utilize um funil para evitar derrames.

8. Instale a tampa do depósito de óleo quando o nível de óleo estiver correto.

Substituir o óleo de motor



ATENÇÃO: O óleo de motor está muito quente imediatamente após desligar o motor. Deixe o motor arrefecer antes de drenar o óleo de motor. Se derramar óleo de motor na pele, limpe com água e sabão.

(Fig. 35)

1. Utilize o produto até esvaziar o depósito de combustível.
2. Remova o cabo de ignição da vela de ignição.
3. Remova a tampa do depósito de óleo e a vareta de nível fixada.
4. Coloque um recipiente por baixo do produto para recolher o óleo de motor.
5. Incline o produto ou drene o óleo de motor do depósito de óleo com uma bomba de óleo (acessório).
6. Encha com óleo de motor novo do tipo recomendado em *Especificações técnicas na página 296*.
7. Verifique o nível do óleo. Consulte *Verificar o nível do óleo na página 291*.
8. Instale a tampa do depósito de óleo quando o nível de óleo estiver correto.

Filtro de ar

Um filtro de ar sujo pode provocar danos no motor ou fazer com que este não funcione corretamente. Realize a manutenção do filtro de ar mais frequentemente em ambientes poeirentos. Consulte *Esquema de manutenção na página 289* para obter informações sobre quando substituir o filtro de ar.

Nota: Substitua sempre um filtro de ar danificado.

Retirar e instalar o filtro de ar (LB 244E)



ATENÇÃO: Utilize luvas de protecção.

1. Pressione os grampos na cobertura do filtro de ar.
2. Retire cuidadosamente a cobertura do filtro de ar (A) do motor.
3. Retire o filtro de ar (B). (Fig. 36)
4. Examine o filtro de ar quanto à existência de danos. Substitua um filtro de ar danificado.
5. Limpar e examinar o filtro de ar. Consulte *Limpar o filtro de ar (LB 244E) na página 292*.
6. Instale na sequência inversa.

Limpar o filtro de ar (LB 244E)

Um filtro de ar sujo pode provocar danos no motor ou fazer com que este não funcione corretamente. Realize a manutenção do filtro de ar mais frequentemente em ambientes poeirentos.

Consulte *Esquema de manutenção na página 289* para obter informações sobre quando substituir o filtro de ar.

1. Retire a cobertura do filtro de ar e o filtro.
2. Limpe o filtro, batendo com o mesmo sobre uma superfície plana. Não utilize solventes com petróleo, querosene ou ar comprimido para limpar o filtro.

Nota: Não é possível limpar completamente os filtros de ar que estão em funcionamento durante muito tempo. Substitua o filtro de ar em intervalos regulares. Substitua sempre os filtros de ar danificados.

3. Ao montar o filtro de ar, certifique-se de que este fica totalmente encostado ao suporte do filtro.

Limpar o filtro de espuma de plástico (LB 144)



CUIDADO: Não ligue o motor sem os filtros de ar. O desgaste do motor aumenta se o ar estiver sujo.

1. Retire a cobertura do filtro de ar (A). (Fig. 37)
2. Retire os filtros de espuma de plástico (B).



CUIDADO: Examine os filtros de espuma de plástico quanto a danos ou desgaste. Substitua todos os filtros de espuma de plástico danificados.

3. Limpe os filtros de espuma de plástico com água e sabão.
4. Lave os filtros de espuma de plástico com água limpa.
5. Esprema a água dos filtros de espuma de plástico e deixe secar.



CUIDADO: Não utilize ar comprimido. Pode causar danos ao filtro de espuma de plástico.

6. Lubrifique o filtros de espuma de plástico com óleo de motor.
7. Pressione um pano limpo contra o filtro de espuma de plástico para remover óleo indesejado.
8. Instale os filtros de espuma de plástico. Certifique-se de que os filtros de espuma de plástico estão completamente encostados ao suporte do filtro de ar.
9. Instale a cobertura do filtro de ar.

Manutenção da bateria (LB 244E)

A bateria não necessita de manutenção. Se necessária, a manutenção da bateria apenas pode ser efetuada por um centro de assistência aprovado.

Utilizar a bateria pela primeira vez (LB 244E)



CUIDADO: Não deixe a bateria descarregar completamente. Se a bateria descarregar completamente, pode ficar danificada.

É necessário carregar a bateria antes da primeira utilização.

1. Ligue o carregador à bateria. Consulte *Carregar a bateria (LB 244E) na página 292*.
2. Aguarde até que, no mínimo, um LED verde se acenda.
3. Fixe a bateria ao motor. Consulte *Arranque elétrico (LB 244E) na página 288*.

Carregar a bateria (LB 244E)

Se apenas 1 ou 0 indicadores luminosos na bateria estiverem ligados, é necessário carregá-la. Uma bateria descarregada fica completamente carregada em 2 horas. Carregar durante períodos de tempo mais curtos não causa danos na bateria.

1. Ligue o carregador à bateria. (Fig. 38)
2. Ligue o carregador da bateria a uma tomada elétrica de 100-240 V, 50-60 Hz.
3. Remova primeiro o carregador da tomada elétrica e, em seguida, remova o carregador da bateria.

Estado de carga da bateria

Visor LED na bateria	Estado
LED 1 vermelho intermitente.	1%-9%
LED 1 vermelho constante.	10%-32%
LED 1 verde e LED 2 vermelho.	33%-54%
LED 1 e LED 2 verdes e LED 3 vermelho.	55%-77%
LED 1, 2 e 3 verdes e LED 4 vermelho.	78%-100%

Indicador luminoso no carregador da bateria	Estado
Luz vermelha constante	A bateria está a carregar.
Luz verde constante	A bateria está totalmente carregada.

Verificar a vela de ignição



CUIDADO: Utilize sempre o tipo de vela de ignição recomendado. Um tipo de vela de ignição incorreto pode provocar danos no produto.

- Examine a vela de ignição para verificar se o motor apresenta uma potência reduzida ou dificuldades de arranque, ou se não funciona corretamente ao ralenti.
- Para diminuir o risco de materiais indesejados nos eletrodos da vela de ignição, siga estas instruções:
 - a) Assegure-se de que a rotação em vazio está corretamente regulada.
 - b) Certifique-se de que a mistura de combustível está correta.
 - c) Certifique-se de que o filtro de ar está limpo.
- Se a vela de ignição estiver suja, limpe-a e certifique-se de que a distância entre os eletrodos está correta; consulte *Especificações técnicas na página 296*. (Fig. 39)
- Se for necessário, substitua a vela de ignição.

Para examinar o sistema de combustível

- Examine a tampa do depósito de combustível e o vedante da tampa do depósito de combustível para se certificar de que não existem danos.
- Examine a mangueira de combustível para se certificar de que não existem fugas. Se a mangueira de combustível estiver danificada, deverá ser substituída por uma oficina autorizada.

Drenar o depósito de combustível

1. Coloque um recipiente por baixo do depósito de combustível.

2. Retire a tampa do depósito de combustível.
3. Empurre os grampos da mangueira de combustível contra o carburador.
4. Retire a mangueira de combustível do carburador.
5. Coloque a mangueira do depósito de combustível no recipiente e retire os grampos da mangueira.
6. Incline o produto e drene o combustível para o recipiente.

Substituir o filtro de combustível



ATENÇÃO: Utilize luvas de proteção.

1. Drene o depósito de combustível.
2. Afaste a abraçadeira de mangueira do depósito de combustível. (Fig. 40)
3. Retire a mangueira de combustível do depósito de combustível. Pode ocorrer uma pequena fuga de combustível. (Fig. 41)
4. Retire o filtro de combustível do depósito de combustível. (Fig. 42)
5. Instale um novo filtro de combustível no depósito de combustível.
6. Fixe a mangueira de combustível ao depósito de combustível.
7. Coloque a abraçadeira de mangueira na devida posição encostada ao depósito de combustível.

Resolução de problemas no motor

Problema	Causa possível	Solução
O motor não arranca.	O cabo de ignição não está ligado corretamente.	Ligue o cabo de ignição à vela de ignição.
	O depósito de combustível está vazio.	Encha o depósito de combustível com o tipo de combustível correto.
	O combustível é antigo.	Drene o depósito de combustível e o carburador. Reabasteça com gasolina nova.
	Existe sujidade no carburador ou no tubo de combustível.	Limpe o carburador e/ou o tubo de combustível.
	A vela de ignição está danificada.	Ajuste a distância entre os eletrodos, limpe ou substitua a vela de ignição.
	Existe combustível na vela de ignição.	Limpe a vela de ignição.
O motor não para.	O mecanismo de paragem não funciona corretamente.	Desligue o cabo de ignição da vela de ignição. Solicite a reparação do produto numa oficina autorizada.
O motor não funciona corretamente.	O cabo de ignição não está ligado corretamente.	Ligue o cabo de ignição à vela de ignição.
	Existe sujidade no tubo de combustível ou o período de utilização do combustível expirou.	Limpe o tubo de combustível. Encha o depósito de combustível com combustível novo do tipo correto.
	Existe obstrução na tampa do depósito de combustível.	Limpe a tampa do depósito de combustível.
	Existe água ou sujidade no sistema de combustível.	Drene o depósito de combustível. Encha o depósito de combustível com combustível novo do tipo correto.
	O filtro de ar está sujo.	Limpe o filtro de ar.
	O carburador tem de ser ajustado.	Solicite o ajuste do carburador a um distribuidor com assistência técnica.
O motor fica demasiado quente.	O nível de óleo do motor é demasiado baixo.	Abasteça o óleo de motor.
	O fluxo de ar não é suficiente.	Limpe o filtro de ar e o alojamento do filtro de ar.
	O carburador tem de ser ajustado.	Solicite o ajuste do carburador a um distribuidor com assistência técnica.
Existe uma falha de ignição no motor quando este funciona a alta velocidade.	A distância entre os eletrodos na vela de ignição é demasiado pequena.	Ajuste a distância entre os eletrodos.

Problema	Causa possível	Solução
Ruídos invulgares provenientes do motor com carga normal.	Tipo incorreto de gasolina.	Drene o depósito de combustível e o carburador. Reabasteça com gasolina nova. Consulte <i>Para examinar o sistema de combustível na página 293</i> . Se o problema persistir, contacte o seu distribuidor com assistência técnica local.
O motor não funciona corretamente ao ralenti.	A vela de ignição está suja, danificada ou a distância entre os elétrodos é demasiado grande.	Ajuste a distância entre os elétrodos ou substitua a vela de ignição.
	O carburador tem de ser ajustado.	Ajuste o carburador.
	O filtro de ar está sujo.	Limpe o filtro de ar.

Transporte, armazenamento e eliminação

Transporte e armazenamento

- Para o transporte e armazenamento do produto e do combustível, certifique-se de que não existem fugas ou fumos. Faíscas ou chamas abertas, por exemplo de dispositivos elétricos ou mesmo caldeiras, podem causar um incêndio.
- Utilize recipientes aprovados para o transporte e armazenamento de combustível.
- Esvazie o depósito de combustível antes de armazenar o produto durante um longo período de tempo. Elimine o combustível numa localização de eliminação aplicável
- Fixe o produto de forma segura durante o transporte para evitar danos e acidentes.
- Mantenha o produto numa área trancada para impedir o acesso a crianças ou pessoas que não disponham de aprovação.
- Mantenha o produto num local seco e sem gelo.

Colocar o produto na posição de transporte

1. Solte os botões do punho. (Fig. 43)
2. Dobre o manípulo para a frente até atingir a posição final. (Fig. 44)

Transporte e armazenamento da bateria e do carregador

- Não retire a bateria até o produto estar parado e frio. Para retirar a bateria, prima continuamente o botão na parte superior da bateria e retire-a da respetiva ranhura.
- Se o período de armazenamento for superior a 30 dias, carregue a bateria até esta apresentar mais de 3 luzes verdes.

- Carregue totalmente a cada 3 meses para evitar danos na mesma.
- A bateria e o respetivo carregador devem ser armazenados a temperaturas entre 5 °C e 40 °C. Temperaturas superiores ou fontes de temperaturas elevadas, como incêndios, podem causar danos na bateria.
- Não desmonte a bateria.
- Não submerja a bateria em água. Guarde a bateria num ambiente seco e fresco com um fluxo de ar adequado.
- Se a bateria apresentar cheiro, estiver quente ou se o calor provocar deformações na mesma durante o funcionamento, armazenamento ou carregamento, retire-a e não a utilize.
- Certifique-se de que a bateria ou o respetivo carregador estão ligados durante o transporte, para evitar danos.
- Certifique-se de que o carregador da bateria não aquece demasiado.

Eliminação

- Respeite os requisitos de reciclagem locais e os regulamentos aplicáveis.
- Elimine todos os produtos químicos, como óleo de motor ou anticongelante, num centro de assistência ou numa localização de eliminação aplicável.
- Quando o produto deixar de ser utilizado, envie-o para um revendedor Husqvarna ou elimine-o numa localização de reciclagem.
- Elimine a bateria num centro de assistência ou num local de eliminação de baterias usadas.

Especificações técnicas

Especificações técnicas

	LB 144	LB 244E
Motor		
Marca	Husqvarna	Husqvarna
Modelo	HS 123A	HS 139AE
Tipo de motor	Monocilíndrico, 4 tempos, refrigeração a ar forçado, OHV	Monocilíndrico, 4 tempos, refrigeração a ar forçado, OHV
Cilindrada, cm ³	123	139
Velocidade do motor – nominal, rpm	3000/min	2900/min
Potência nominal do motor, kW ¹²⁹	1,95	2,2
Sistema de ignição		
Vela de ignição	Husqvarna HQT-7	Husqvarna HQT-7
Distância entre os eletrodos, mm	0,7-0,8	0,7-0,8
Sistema de lubrificação e combustível		
Tipo de lubrificação do motor	Salpico	Salpico
Capacidade do depósito de combustível, l	0,9	0,9
Capacidade do depósito de óleo, l	0,5	0,5
Óleo do motor ¹³⁰	Husqvarna SAE 30, Husqvarna SAE 5W-30 Synthetic, Husqvarna SAE 10W-40	Husqvarna SAE 30, Husqvarna SAE 5W-30 Synthetic, Husqvarna SAE 10W-40
Peso		
Com depósitos vazios, kg	22	23,5
Emissões de ruído ¹³¹		
Nível de potência sonora, medido dB (A)	91	92
Nível de potência sonora, garantido L _{WA} dB (A)	94	94

¹²⁹ A potência nominal do motor indicado é a potência líquida média (a um valor de rpm especificado) de um motor de produção típico do modelo de motor avaliado de acordo com a norma J1349/ISO1585 da SAE. Motores produzidos em série poderão divergir deste valor. A potência real do motor instalado no produto final dependerá da velocidade de operação, das condições ambientais e de outros parâmetros.

¹³⁰ Utilize um óleo de motor de qualidade API SJ ou superior. Se o óleo SAE-30 for utilizado a uma temperatura inferior a +5 °C, existe o risco de não lubrificar suficientemente o motor. Isto pode provocar danos no motor. Consulte a secção *Substituir o óleo de motor na página 291* para saber qual o óleo correto para temperaturas baixas. Consulte a tabela de viscosidade no manual do motor (se incluído) e selecione a melhor viscosidade com base na temperatura exterior prevista.

¹³¹ Emissões de ruído para as imediações, medidas sob forma de potência sonora (L_{WA}) em conformidade com a diretiva da CE 2000/14/CE.

	LB 144	LB 244E
Níveis sonoros ¹³²		
Nível de pressão sonora ao nível do ouvido do utilizador, dB (A)	79	80
Níveis de vibração ¹³³		
Vibrações do punho superior, m/s ²	7,6	6,0
Equipamento de corte		
Altura de corte, mm	25-75	25-75
Largura de corte, mm	440	440
Sistema de corte	BioClip®	BioClip®
Lâmina – padrão	Trituração 5464584-10	Trituração 5464584-10
Sistema de arranque		
Motor de arranque elétrico	Não	Sim
Bateria	-	lões de lítio, 10,8 V, 21,6 Wh

¹³² Os dados comunicados relativamente ao nível de pressão de ruído têm uma dispersão estatística típica (desvio padrão) de 1,2 dB (A).

¹³³ Os dados comunicados relativamente ao nível de vibração têm uma dispersão estatística típica (desvio padrão) de 0,2 m/s².

Declaração de conformidade

Declaração UE de conformidade

A **Husqvarna AB**, SE-561 82 Huskvarna, Suécia,
tel.: +46-36-146500, declara, sob sua inteira
responsabilidade, que o produto:

Descrição	Corta-relva
Marca	Husqvarna
Tipo/Modelo	LB 144, LB 244E
Identificação	Números de série referentes a 2023 e posteriores

está em plena conformidade com as seguintes diretivas
e regulamentos da UE:

Regulamento	Descrição
2006/42/CE	"relativa a máquinas"
2014/30/UE	"relativa à compatibilidade eletromagnética"
2000/14/CE	"relativa a emissões de ruído para o ambiente"
2011/65/UE	"relativa à restrição do uso de determinadas substâncias perigosas em equipamento elétrico e eletrônico"

e que as seguintes normas e/ou especificações técnicas
são aplicadas: EN ISO 5395-1:2013+A1:2018, EN ISO
5395-2:2013+A1:2016+A2:2017, EN IEC 63000:2018,
EN ISO 14982:2009

Entidade competente: 0404, SMP Svensk
Maskinprovning AB, Box 4053, SE-904 03 Umeå,
Sweden atribuiu a certificação de conformidade com
a Diretiva 2000/14/CE do Conselho, procedimento de
avaliação de conformidade: Anexo VI.

Para mais informações sobre as emissões de ruído,
consulte *Especificações técnicas na página 296*.

Huskvarna, 2023-09-18



Claes Losdal, chefe de desenvolvimento/produtos de
jardinagem, Husqvarna AB

Responsável pela documentação técnica



CUPRINS

Introducere.....	299	Depanarea motorului.....	309
Siguranță.....	300	Transportul, depozitarea și eliminarea.....	310
Asamblarea.....	303	Date tehnice.....	311
Funcționarea.....	303	Declarație de conformitate.....	313
Întreținerea.....	305		

Introducere

Descrierea produsului

Acest produs este o mașină rotativă de tuns gazon controlată de un operator-pieton, care utilizează BioClip pentru a tăia iarba și a o transforma în îngrășământ.

Prezentare generală a produsului

(Fig. 1)

1. Manetă frână de motor
2. Mâner
3. Mâner pentru șnurul de pornire (LB 144)
4. Pârghie pentru înălțimea de tăiere
5. Bușon de ulei și jojă
6. Amortizor de zgomot
7. Bujie
8. Mâner de ridicare
9. Manetă de reglare a înălțimii pentru mâner
10. Bușon rezervor de carburant
11. Filtru de aer
12. Capac de tăiere
13. Cuțit
14. Șaibă de siguranță
15. Șurub cuțit
16. Baterie, dispozitiv de siguranță (LB 244E,)
17. Buton de pornire electrică (LB 244E,)
18. Manual de utilizare

Simbolurile de pe produs

- (Fig. 2) **AVERTISMENT!** Aveți grijă să utilizați corect produsul. Acest produs poate cauza vătămări corporale grave sau decesul operatorului sau al altor persoane.
- (Fig. 3) Citiți cu atenție manualul operatorului și asigurați-vă că înțelegeți instrucțiunile înainte de utilizare.
- (Fig. 4) Feriți-vă de obiectele proiectate sau care ricoșează.
- (Fig. 5) Țineți persoanele și animalele la o distanță sigură de zona de lucru.

Domeniul de utilizare

Utilizați produsul pentru a tăia iarba. Nu utilizați produsul pentru alte sarcini.

- (Fig. 6) **Avertisment:** Feriți-vă mâinile și picioarele de cuțitul rotativ.
- (Fig. 7) **Avertisment:** Feriți-vă mâinile și picioarele de piesele rotative.
- (Fig. 8) Opriti motorul și scoateți cablul de alimentare a aprinderii înainte de a efectua lucrări de întreținere sau reparații.
- (Fig. 9) Acest produs este în conformitate cu directivele UE aplicabile.
- (Fig. 10) Etichetă privind emisiile de zgomot în mediu, conform directivelor și reglementărilor din UE și Regatul Unit și legislației din New South Wales „Regulamentul privind măsurile de protecție a mediului (controlul zgomotului) din 2017”. Nivelul de putere sonoră garantat al produsului este specificat în *Date tehnice la pagina 311* și pe etichetă.

(Fig. 11)

Acest produs respectă reglementările aplicabile din Regatul Unit.

- (Fig. 12) Pericol de incendiu.
- (Fig. 13) Nu inhalați gazele de eșapament. Gazele de eșapament ale motorului conțin monoxid de carbon, care este un gaz inodor, toxic și deosebit de periculos. Nu porniți motorul în interior sau în spații închise.
- (Fig. 14) Suprafață fierbinte.

- (Fig. 16) Umpleți motorul cu ulei înainte de a porni produsul.
- (Fig. 17) Procedura de pornire pentru LB 144: Împingeți în jos maneta frânei de motor și trageți mânerul șnurului de pornire.
- (Fig. 18) Procedura de pornire pentru LB 244E: Apăsați maneta frânei de motor și apăsați butonul de pornire.
- (Fig. 15) Cod scanabil.

Nota: Alte simboluri/autocolante de pe produs se referă la cerințele de certificare pentru alte zone comerciale.

Deteriorarea produsului

Nu suntem responsabili pentru deteriorarea produsului dacă:

- produsul este reparat necorespunzător.
- produsul este reparat cu piese care nu provin de la producător sau care nu sunt aprobate de acesta.
- produsul are un accesoriu care nu provine de la producător sau care nu este aprobat de acesta.
- produsul nu este reparat la un centru de service omologat sau de o autoritate omologată.

Emisiile de Euro V



AVERTISMENT: În urma modificării neautorizate a motorului, este anulată aprobarea de tip UE pentru acest produs.

Siguranță

Definiții privind siguranța

Avertismentele, atenționările și notele sunt utilizate pentru a desemna părți foarte importante din manual.



AVERTISMENT: Se utilizează dacă există risc de vătămare sau de deces pentru operator sau pentru trecători, în cazul în care instrucțiunile din manual nu sunt respectate.



ATENȚIE: Se utilizează dacă există un risc de deteriorare a produsului, a altor materiale sau a zonelor învecinate, dacă instrucțiunile din manual nu sunt respectate.

Nota: Se utilizează pentru a furniza mai multe informații care sunt necesare într-o situație dată.

Instrucțiuni generale de siguranță



AVERTISMENT: Înainte de a utiliza produsul, citiți instrucțiunile de avertizare de mai jos.

- Acest produs este periculos dacă este utilizat incorect sau dacă nu sunteți atent. Nerespectarea instrucțiunilor de siguranță poate cauza vătămări corporale sau decesul.
- În timpul funcționării, acest produs generează un câmp electromagnetic. În anumite condiții, acest câmp poate interfera cu implanturile medicale active sau pasive. Pentru a reduce riscul de vătămări corporale grave sau mortale, recomandăm persoanelor cu implanturi medicale să consulte

medicul și producătorul implantului medical înainte de a utiliza acest produs.

- Procedați întotdeauna cu atenție și folosiți-vă judecata. Dacă nu sunteți sigur cum să utilizați produsul într-o situație specială, opriți-l și adresați-vă distribuitorului Husqvarna înainte de a continua.
- Rețineți că operatorul poartă responsabilitatea privind orice accidente care implică alte persoane sau bunurile lor.
- Păstrați produsul curat. Asigurați-vă că puteți citi clar semnele și autocolantele.
- Nu permiteți niciunei persoane să utilizeze produsul dacă aceasta nu a citit și înțeles conținutul manualului operatorului.
- Nu permiteți copiilor să utilizeze produsul.
- Țineți copiii departe de zona de lucru. Un adult responsabil trebuie să fie prezent în permanență.
- Nu permiteți niciunei persoane care nu cunoaște instrucțiunile să utilizeze produsul.
- Monitorizați permanent o persoană cu capacități fizice sau mintale reduse, care utilizează produsul. Un adult responsabil trebuie să fie prezent în permanență.
- Nu utilizați produsul atunci când sunteți obosit, bolnav sau dacă ați consumat alcool, droguri sau ați luat medicamente. Acestea vă afectează negativ acuitatea vizuală, atenția, coordonarea și judecata.
- Nu folosiți produse deteriorate sau care nu funcționează corect.
- Nu modificați acest produs și nu îl utilizați dacă este posibil să fi fost modificat de către alte persoane.
- Nu modificați setarea controlului turației motorului.

Siguranța zonei de lucru



AVERTISMENT: Înainte de a utiliza produsul, citiți instrucțiunile de avertizare de mai jos.

- Înainte de a utiliza produsul, îndepărtați obiectele precum crengile, rămurelele și pietrele din zona de lucru.
- Obiectele care se lovesc de echipamentul de tăiere pot fi aruncate, provocând vătămări corporale și pagube materiale. Țineți trecătorii și animalele la o distanță sigură de produs.
- Nu utilizați produsul pe vreme rea, de exemplu pe ceață, ploaie, vânt puternic, la temperaturi exterioare foarte scăzute și atunci când există riscul de descărcări electrice. Utilizarea produsului pe vreme nefavorabilă sau pe teren umed sau inundat este obositoare. Vremea nefavorabilă poate conduce la apariția de situații periculoase, de exemplu suprafețe alunecoase.
- Verificați dacă există persoane, obiecte și situații care pot împiedica funcționarea în siguranță a produsului.
- Atenție la obstacole, precum rădăcini, pietre, ramuri, gropi și șanțuri. În iarba înaltă se pot ascunde obstacole.
- Tunderea ierburilor pe pante poate fi periculoasă. Nu utilizați produsul pe pante cu înclinație mai mare de 15°.
- Utilizați produsul de-a curmezișul pantei. Nu efectuați mișcări în sus și în jos.
- Procedați cu atenție atunci când vă apropiați de colțuri ascunse și de obiecte care blochează vederea.

Siguranța în lucru



AVERTISMENT: Înainte de a utiliza produsul, citiți instrucțiunile de avertizare de mai jos.

- Utilizați acest produs numai pentru tunderea gazonului. Nu este permisă utilizarea acestui produs pentru alte lucrări.
- Utilizați echipamentul personal de protecție. Consultați *Echipament de protecție personală la pagina 301*.
- Asigurați-vă că știți cum să opriți rapid motorul în caz de urgență.
- Nu porniți niciodată motorul într-un spațiu închis sau lângă materiale inflamabile. Gazele de eșapament de la motor sunt fierbinți și pot conține scântei care pot cauza un incendiu.
- Nu utilizați produsul decât dacă au fost montate corect cuțitul și toate capacele. Un cuțit montat incorect se poate slăbi, provocând vătămări corporale.

- Asigurați-vă că lama nu lovește obiecte, precum pietre și rădăcini. Acestea pot deteriora cuțitul și pot îndoi arborele motorului. Un ax îndoit poate genera vibrații puternice și prezintă un risc foarte ridicat de slăbire a cuțitului.
- Dacă lama lovește un obiect sau dacă observați vibrații, opriți produsul imediat. Decupați cablul de alimentare a aprinderii de la bujie. Examinați dacă produsul este deteriorat. Reparați defecțiunile sau solicitați unui agent de service autorizat să le repare.
- Nu fixați niciodată de mâner maneta frânei de motor, în mod permanent, atunci când motorul este pornit.
- Poziționați produsul pe o suprafață stabilă, plană și porniți-l. Asigurați-vă că lama nu atinge solul sau alte obiecte.
- Stați întotdeauna în spatele produsului atunci când îl utilizați.
- Mențineți toate roțile pe sol și țineți ambele mâini pe mâner când utilizați produsul. Feriți-vă mâinile și picioarele de cuțitele rotative.
- Nu înclinați produsul când motorul este pornit.
- Fiți atent atunci când trageți produsul în spate.
- Nu ridicați niciodată produsul când motorul este pornit. Dacă trebuie să ridicați produsul, mai întâi opriți motorul și deconectați cablul de alimentare a aprinderii de la bujie.
- Nu mergeți cu spatele în timp ce utilizați produsul.
- Opriți motorul când traversați zone fără iarbă, de exemplu alei din pietriș, piatră și asfalt.
- Nu alergați cu produsul când motorul este pornit. Întotdeauna mergeți în timp ce utilizați produsul.
- Opriți motorul înainte de a schimba înălțimea de tăiere. Nu efectuați niciodată reglări cu motorul pornit.
- Nu lăsați niciodată produsul să iasă din câmpul vizual cu motorul pornit. Opriți motorul și asigurați-vă că echipamentul de tăiere nu se rotește.

Instrucțiuni de siguranță pentru utilizare

Echipament de protecție personală



AVERTISMENT: Înainte de a utiliza produsul, citiți instrucțiunile de avertizare de mai jos.

- Echipamentele de protecție personală nu pot elimina complet riscul de rănire, însă pot reduce gravitatea rănilor în cazul unui accident. Distribuitorul vă poate ajuta să alegeți echipamentul corect.
- Utilizați echipament de protecție a auzului dacă nivelul de zgomot este mai mare de 85 dB.
- Utilizați întotdeauna ghete sau pantofi pentru regim greu de lucru, cu rezistență la alunecare. Nu folosiți pantofi decupați și nu operați produsul desculți.
- Utilizați pantaloni lungi, groși.
- Purtați mănuși de protecție atunci când este necesar, de exemplu atunci când conectați, inspectați sau curățați echipamentul de tăiere.

Dispozitivele de siguranță de pe produs



AVERTISMENT: Înainte de a utiliza produsul, citiți instrucțiunile de avertizare de mai jos.

- Nu utilizați un produs cu dispozitive de siguranță care sunt deteriorate sau care nu funcționează corect.
- Verificați regulat dispozitivele de siguranță. În cazul în care dispozitivele de siguranță sunt deteriorate sau nu funcționează corect, adresați-vă Husqvarna agentului de service.
- Nu aduceți modificări dispozitivelor de siguranță.

Verificarea capacului de tăiere

Capacul de tăiere reduce vibrațiile în produs și scade riscul de rănire de la cuțit.

- Examinați capacul de tăiere și asigurați-vă că nu există defecte, precum fisuri.

Baterie (LB 244E)



AVERTISMENT: O baterie defectă diminuează siguranța produsului. Utilizați întotdeauna o baterie omologată de producător.

Bateria este sursa de energie pentru pornirea electrică și constituie un dispozitiv de siguranță care împiedică pornirea accidentală. Scoateți bateria atunci când nu utilizați produsul și când îl lăsați nesupravegheat.

Verificarea manetei frânei de motor

Maneta frânei de motor oprește motorul. Când maneta frânei de motor este eliberată, motorul se oprește.

- Porniți motorul, apoi eliberați maneta frânei de motor. Dacă motorul nu se oprește în 3 secunde, solicitați unui agent de service autorizat Husqvarna să regleze frâna de motor. (Fig. 19)

Amortizor de zgomot

Amortizorul de zgomot este proiectat pentru a reduce la minimum nivelul de zgomot și a dirija gazele de eșapament departe de utilizator.

Nu utilizați produsul dacă amortizorul de zgomot nu este instalat sau este deteriorat. Un amortizor de zgomot deteriorat determină creșterea nivelului de zgomot și a pericolului de incendiu.



AVERTISMENT: Amortizorul de zgomot atinge temperaturi înalte în timpul utilizării, imediat după oprire și atunci când motorul funcționează la turația de mers în gol. Procedați cu atenție în apropierea

materialelor și/sau gazelor inflamabile pentru a preveni incendiile.

Pentru a verifica amortizorul de zgomot

- Verificați regulat amortizorul de zgomot pentru a vă asigura că este montat corect și nu este deteriorat.

Reguli de siguranță referitoare la carburant



AVERTISMENT: Înainte de a utiliza produsul, citiți instrucțiunile de avertizare de mai jos.

- Nu porniți produsul dacă pe el se află carburant sau ulei pentru motor. Îndepărtați carburantul/uleiul nedorit și lăsați produsul să se usuce.
- Dacă vărsați carburantul pe îmbrăcăminte, schimbați imediat hainele.
- Nu vărsați carburantul pe corp - poate provoca vătămări corporale. Dacă vărsați carburant pe corp, utilizați apă și săpun pentru a elimina carburantul.
- Nu porniți produsul dacă motorul prezintă scurgeri. Examinați cu regularitate motorul, pentru a identifica eventuale scurgeri.
- Manipulați cu atenție carburantul. Carburantul este inflamabil, vaporii sunt explozivi și pot cauza vătămări corporale sau deces.
- Nu respirați vaporii de carburant, se pot produce vătămări corporale. Asigurați-vă că fluxul de aer este suficient.
- Nu fumați în apropierea carburantului sau a motorului.
- Nu amplasati obiecte calde în apropierea carburantului sau a motorului.
- Nu adăugați carburant atunci când motorul este pornit.
- Asigurați-vă că motorul este rece înainte de a realimenta.
- Înainte de a realimenta, deschideți lent capacul rezervorului de carburant și eliberați cu atenție presiunea.
- Nu adăugați carburant la motor într-o zonă interioară. Un flux de aer insuficient poate cauza vătămare corporală sau deces din cauza asfixierii sau a monoxidului de carbon.
- Strângeți până la capăt capacul rezervorului de carburant. Dacă acesta nu este strâns, există pericol de incendiu.
- Înainte de pornire, mutați produsul la o distanță de minimum 3 m/10 ft față de poziția unde ați umplut rezervorul.
- Nu umpleți complet rezervorul de carburant. Căldura provoacă dilatarea carburantului. Păstrați un gol în partea de sus a rezervorului de carburant.
- Nu depozitați niciodată produsul cu combustibil în rezervor în interiorul unei clădiri unde sunt prezente surse de aprindere, precum boilere fierbinți, sisteme pentru încălzirea incintelor sau uscătoare de haine.

Lăsați motorul să se răcească înainte de a depozita aparatul într-un spațiu închis.

Instrucțiuni de siguranță pentru întreținere



AVERTISMENT: Înainte de a utiliza produsul, citiți instrucțiunile de avertizare de mai jos.

- Gazele de eșapament ale motorului conțin monoxid de carbon, care este un gaz inodor, toxic și deosebit de periculos. Nu porniți motorul în interior sau în spații închise.
- Înainte de a efectua întreținerea produsului, opriți motorul și deconectați cablul de alimentare a aprinderii de la bujie. La LB 244E, scoateți și bateria.
- Purtați mănuși de protecție când efectuați întreținerea echipamentului de tăiere. Cuțitul este foarte ascuțit și vă puteți tăia foarte ușor.

- Accesoriile și modificările aduse produsului care nu sunt autorizate de către producător pot provoca vătămări corporale grave sau fatale. Nu modificați produsul. Utilizați întotdeauna numai accesoriile omologate de producător.
- Dacă întreținerea nu se efectuează corect și periodic, crește pericolul de vătămări corporale și de deteriorare a produsului.
- Efectuați numai operațiile de întreținere care se regăsesc în acest manual al proprietarului. Toate celelalte operații de service trebuie efectuate de către un agent de service autorizat Husqvarna.
- Solicitați unui agent de service autorizat Husqvarna să efectueze în mod regulat operații de service la produs.
- Înlocuiți piesele deteriorate, uzate sau defecte.

Asamblarea

Introducere



AVERTISMENT: Înainte de a asambla produsul, trebuie să citiți și să înțelegeți capitolul privind siguranța.



AVERTISMENT: Demontați cablul de la bujie înainte de a asambla produsul.

Asamblarea mânerului

1. Trageți mânerul înapoi până când ajunge în poziția de capăt. (Fig. 20)

2. Strângeți butoanele rotative de pe mâner. (Fig. 21)

Reglarea înălțimii mânerului

1. Asigurați-vă că piesa de fixare pentru reglarea înălțimii este în canelură. Apăsăți cu piciorul pe suportul pentru reglarea înălțimii, dacă suportul pentru reglarea înălțimii nu este introdus în canelură. (Fig. 22)
2. Apăsăți în interior maneta de reglare a înălțimii cu piciorul.
3. Puneți mânerul în poziția corectă și eliberați-l. (Fig. 23)

Funcționarea

Introducere



AVERTISMENT: Înainte de a utiliza produsul, trebuie să citiți și să înțelegeți capitolul privind siguranța.

Husqvarna Connect

Husqvarna Connect este o aplicație gratuită pentru dispozitivul dvs. mobil. Aplicația Husqvarna Connect vă oferă funcții extinse pentru produsul dvs. Husqvarna:

- Informații pe larg despre produs.
- Informații despre piese pentru produse și service și asistență pentru acestea.

Pentru a începe să utilizați Husqvarna Connect

1. Descărcați aplicația Husqvarna Connect pe dispozitivul dvs. mobil.
2. Înregistrați-vă în aplicația Husqvarna Connect.
3. Urmați pașii cu instrucțiuni din aplicația Husqvarna Connect pentru a conecta și înregistra produsul.

Înainte de a utiliza produsul

1. Citiți cu atenție manualul operatorului și asigurați-vă că înțelegeți instrucțiunile.
2. Examinați echipamentul de tăiere și asigurați-vă că este corect montat și reglat. Consultați *Pentru a examina echipamentul de tăiere la pagina 306.*

3. Verificați nivelul uleiului și completați cu ulei de motor, dacă este necesar. Consultați *Verificarea nivelului de ulei la pagina 307*.
4. Umpleți rezervorul de carburant. Consultați *Alimentarea cu carburant la pagina 304*.

Alimentarea cu carburant

Dacă aveți la dispoziție, utilizați benzină cu emisii scăzute/carburant alchilat. Dacă benzina cu emisii scăzute/carburantul alchilat nu este disponibil/ă, folosiți benzină fără plumb sau benzină cu plumb de bună calitate, cu o cifră octanică nu mai mică de 91.



ATENȚIE: Nu utilizați benzină cu o cifră octanică mai mică de 91 RON. Acest lucru poate deteriora produsul.



ATENȚIE: Înlocuiți filtrul de carburant anual sau mai des dacă este necesar. Găsiți filtre noi de carburant la distribuitorul Husqvarna.



ATENȚIE: Oprii întotdeauna motorul înainte de alimentarea cu carburant.



ATENȚIE: Nu utilizați lichide pentru pornire sub presiune.

1. Deschideți încet capacul rezervorului de carburant, pentru a elibera presiunea.
2. Umpleți încet, cu o canistră de carburant. Dacă vărsați carburant, îndepărtați-l cu o cârpă și lăsați-l să se usuce. (Fig. 24)
3. Curățați suprafața din jurul capacului rezervorului de carburant.
4. Strângeți până la capăt capacul rezervorului de carburant. Dacă acesta nu este strâns, există pericol de incendiu.
5. Înainte de pornire, mutați produsul la o distanță de minimum 3 m/10 ft față de poziția unde ați umplut rezervorul.

Așezarea produsului în poziția de funcționare

1. Asamblați mânerul. Consultați *Asamblarea mânerului la pagina 303*.
2. Reglați înălțimea mânerului. Consultați *Reglarea înălțimii mânerului la pagina 303*.



ATENȚIE: Asigurați-vă că nu sunt foarte tensionate cablurile. Cablurile prea tensionate se pot deteriora dacă mânerul este pliat în poziția pentru transport.



AVERTISMENT: Nu folosiți produsul decât dacă mânerul este pliat complet în sus și fixat la una din pozițiile de înălțime corespunzătoare. Consultați *Reglarea înălțimii mânerului la pagina 303*.

Setarea înălțimii de tăiere

Înălțimea de tăiere poate fi reglată în 6 pași diferiți.

1. Oprii motorul.
2. Deplasați spre spate pârghia înălțimii de tăiere pentru a mări înălțimea de tăiere. (Fig. 25)
3. Deplasați înainte pârghia înălțimii de tăiere pentru a reduce înălțimea de tăiere.



ATENȚIE: Nu setați o înălțime de tăiere prea scăzută. Cuțitele pot atinge solul dacă suprafața gazonului nu este plană.

Pornirea produsului

- Cablul de alimentare a aprinderii trebuie să fie conectat la bujie.

Pornire manuală (LB 144)

1. Stați în spatele produsului.
2. Țineți mânerul frânei de motor lipit de mânerul superior. (Fig. 26)
3. Țineți mânerul șnurului de pornire cu mâna dreaptă.
4. Trageți încet de șnurul de pornire până ce simțiți o anumită rezistență.
5. Trageți cu forță pentru a porni motorul.



AVERTISMENT: Nu răsuciți șnurul de pornire în jurul mâinii.

Pornire electrică (LB 244E)

1. Asigurați-vă că bateria este încărcată. Consultați *Întreținerea bateriei(LB 244E) la pagina 308*.
2. Conectați bateria la motor. Când auziți un clic, înseamnă că bateria s-a blocat în poziția corectă. (Fig. 27)
3. Stați în spatele produsului și țineți maneta frânei de motor (A) spre mânerul superior. (Fig. 28)
4. Apăsăți lung butonul electric de pornire (B) timp de 3-5 secunde. Motorul pornește.

Nota: Dacă motorul nu pornește, așteptați 1 minut și încercați să porniți din nou produsul.

Pentru a opri produsul

- Pentru a opri motorul, eliberați maneta frânei de motor.

Pentru a scoate bateria, (LB 244E)

Pentru a împiedica pornirea accidentală a motorului, scoateți bateria atunci când produsul nu este în funcțiune.

- Apăsăți butonul de blocare (A) și trageți bateria direct în afară. (Fig. 29)

Obținerea rezultatelor bune

- Utilizați întotdeauna o lamă ascuțită. O lamă tocită oferă rezultate neregulate, iar suprafața tăiată a ierbii se îngălbenește. De asemenea, o lamă ascuțită folosește mai puțină energie decât o lamă tocită.

- Nu tăiați niciodată mai mult de $\frac{1}{3}$ din lungimea ierbii. Inițial, tundeți cu o înălțime mare de tăiere. Verificați rezultatul și coborâți înălțimea de tăiere la un nivel convenabil. Dacă iarba este foarte înaltă, deplasați aparatul încet și tundeți de două ori, dacă este necesar.
- Tăiați de fiecare dată în altă direcție, pentru a preveni formarea de dungi pe gazon.
- Păstrați capacul de tăiere curat. Acumularea de iarbă și murdărie pe partea interioară a capacului de tăiere poate reduce calitatea rezultatului tăierii. Consultați *Pentru a curăța suprafața interioară a capacului de tăiere la pagina 306.*

Întreținerea

Introducere



AVERTISMENT: Înainte de a efectua orice operații de întreținere, citiți și înțelegeți capitolul privind siguranța.

Toate lucrările de service și de reparații la produs necesită instruire specială. Garantăm disponibilitatea unor lucrări profesionale de reparații și service. Dacă distribuitorul dvs. nu este agent de service, solicitați acestuia informații cu privire la cel mai apropiat agent de service.

Pentru informații mai detaliate, consultați www.husqvarna.com.

Program de întreținere



ATENȚIE: Asigurați-vă că filtrul de aer este ridicat și nu este lipit de sol când

înclinați produsul. Pericol de defectare a motorului.



ATENȚIE: Pentru modelele cu pornire electrică, scoateți întotdeauna bateria înainte de a efectua operații de curățare, reparare sau întreținere a produsului.

Intervalele de întreținere sunt calculate având în vedere o utilizare zilnică a produsului. Intervalele se modifică dacă produsul nu este utilizat zilnic.

Pentru operațiunile de întreținere marcate cu *, consultați instrucțiunile din *Dispozițiile de siguranță de pe produs la pagina 302.*

Întreținere	Zilnic	Lunar	În fiecare sezon
Efectuați o inspecție generală	X		
Examinați nivelul uleiului	X		
Schimbați uleiul (prima dată după 5 ore de utilizare, apoi la fiecare 50 ore de utilizare) ¹³⁴			X
Curățați produsul	X		
Curățați zona din jurul manetei de reglare a înălțimii mânerului	X		
Examinați echipamentul de tăiere	X		
Examinați capacul de tăiere *	X		
Examinați maneta frânei de motor*	X		

¹³⁴ Dacă produsul este folosit cu o sarcină mare sau la temperaturi ambiante ridicate, înlocuiți uleiul de motor la fiecare 25 de ore.

Întreținere	Zilnic	Lunar	În fiecare sezon
Examinați amortizorul de zgomot *		X	
Verificați bujia. Curățați sau înlocuiți bujia dacă este necesar			X
Examinați filtrul de aer	X		
Curățați filtrul de aer ¹³⁵		X	
Schimbați filtrul de aer			X
Examinați sistemul de alimentare cu carburant			X
Curățați lamelele de răcire de pe cilindru		X	

Pentru a efectua o inspecție generală

- Asigurați-vă că toate șuruburile și piulițele produsului sunt strânse.

Pentru a curăța produsul la exterior

- Folosiiți o perie pentru a elimina frunzele, iarba și murdăria.
- Asigurați-vă că priza de aer din partea superioară a motorului nu este înfundată.
- Nu utilizați o instalație de spălare cu presiune ridicată pentru a curăța produsul.
- Dacă utilizați apă pentru a curăța produsul, nu stropiți direct către motor.

Curățarea zonei din jurul manetei de reglare a înălțimii mânerului

- Folosiiți o perie pentru a elimina frunzele, iarba și murdăria.
(Fig. 30)

Pentru a curăța suprafața interioară a capacului de tăiere

- Goliți rezervorul de carburant.
- Înclinați produsul. Asigurați-vă că bujia este orientată în sus.



ATENȚIE: Dacă produsul este așezat cu filtrul de aer în jos, motorul se poate deteriora.

- Spălați cu apă suprafața interioară a capacului de tăiere.

Pentru a examina echipamentul de tăiere



AVERTISMENT: Pentru a preveni pornirea accidentală, decuplați cablul de alimentare a aprinderii de la bujie.



AVERTISMENT: Purtați mănuși de protecție când efectuați întreținerea echipamentului de tăiere. Cuțitul este foarte ascuțit și vă puteți tăia foarte ușor.

- Examinați echipamentul de tăiere pentru a identifica eventuale deteriorări sau crăpături. Înlocuiți întotdeauna un echipament de tăiere deteriorat.
- Observați cuțitul pentru a vedea dacă este deteriorat sau tocit.

Nota: După ascuțirea cuțitului, acesta trebuie echilibrat. Solicitați unui centru de service să ascuțească, să monteze la loc și să echilibreze cuțitul. Dacă loviți un obstacol care determină produsul să se oprească, înlocuiți cuțitul deteriorat. Solicitați centrului de service să estimeze dacă lama poate fi ascuțită sau trebuie înlocuită.

Înlocuirea cuțitului

- Blocați cuțitul cu o bucată de lemn. (Fig. 31)
- Scoateți bolțul lamei și șaiba de siguranță.
- Demontați cuțitul.
- Examinați suportul și șurubul cuțitului pentru a vedea dacă există deteriorări.
- Examinați arborele motorului pentru a vă asigura că nu s-a îndoit.
- Când montați un cuțit nou, îndreptați capetele oblice ale cuțitului în direcția capacului de tăiere. (Fig. 32)

¹³⁵ Curățați mai des în condiții de praf sau când sunt prezente reziduurile în aer. Înlocuiți filtrul de aer dacă este foarte murdar.

- Asigurați-vă de alinierea lamei cu centrul arborelui motorului.
- Blocați cuișitul cu o bucată de lemn. Montați șaiba elastică și strângeți șurubul și șaiba la un cuplu de 44-46 Nm. (Fig. 33)
- Învârtiți cuișitul cu mâna și asigurați-vă că se rotește liber.



AVERTISMENT: Purtați mănuși de protecție rezistente. Cuișitul este foarte ascuțit și vă puteți tăia foarte ușor.

- Porniți produsul pentru a efectua un test al cuișitului. Dacă cuișitul nu este prins corect, produsul vibrează sau rezultatele de tăiere sunt nesatisfăcătoare.

Verificarea nivelului de ulei



ATENȚIE: Un nivel de ulei prea redus poate deteriora motorul. Efectuați o verificare a nivelului de ulei înainte să porniți produsul.

- Așezați produsul pe teren drept.
- Scoateți bușonul rezervorului și joja atașată.
- Curățați joja de ulei.
- Împingeți complet joja în rezervorul de ulei.
 - Nu montați bușonul rezervorului de ulei pe LB 144.
 - Montați bușonul rezervorului de ulei pe LB 244E.
- Scoateți bușonul rezervorului de ulei și joja.
- Examinați nivelul de ulei de pe joja atașată.
- Dacă nivelul uleiului este scăzut, completați cu ulei de motor și verificați din nou nivelul. (Fig. 34)

Nota: Folosiți o pâlnie pentru a preveni scurgerile.

- Instalați bușonul rezervorului de ulei când nivelul uleiului este corect.

Înlocuirea uleiului pentru motor



AVERTISMENT: Imediat după oprirea motorului, uleiul de motor este foarte fierbinte. Lăsați motorul să se răcească înainte de a-l goli de ulei. Dacă uleiul de motor intră în contact cu pielea, curățați cu apă și săpun.

(Fig. 35)

- Utilizați produsul până când rezervorul de carburant se golește.
- Scoateți cablul de alimentare a aprinderii din bujie.
- Scoateți bușonul rezervorului și joja atașată.
- Amplasați sub produs un recipient în care să colectați uleiul de motor.

- Înclinați produsul sau scurgeți uleiul pentru motor din rezervorul de ulei cu o pompă de ulei (accessoriu).
- Umpleți cu ulei de motor proaspăt și de tipul recomandat în *Date tehnice la pagina 311*.
- Verificați nivelul de ulei. Consultați *Verificarea nivelului de ulei la pagina 307*.
- Instalați bușonul rezervorului de ulei când nivelul uleiului este corect.

Filtru de aer

Un filtru de aer murdar poate cauza deteriorarea sau funcționarea incorectă a motorului. Efectuați mai des întreținerea filtrului de aer în mediile cu mult praf. Consultați *Program de întreținere la pagina 305* pentru informații despre înlocuirea filtrului de aer.

Nota: Întotdeauna înlocuiți un filtru de aer deteriorat.

Scoaterea și montarea filtrului de aer (LB 244E)



AVERTISMENT: Utilizați mănuși de protecție.

- Apăsăți clemele de pe capacul filtrului de aer.
- Scoateți cu grijă capacul filtrului de aer (A) de pe motor.
- Scoateți filtrul de aer (B). (Fig. 36)
- Verificați dacă filtrul de aer este deteriorat. Înlocuiți un filtru de aer deteriorat.
- Curățați și examinați filtrul de aer. Consultați *Curățarea filtrului de aer (LB 244E) la pagina 307*.
- Instalați în ordine inversă.

Curățarea filtrului de aer (LB 244E)

Un filtru de aer murdar poate cauza deteriorarea sau funcționarea incorectă a motorului. Efectuați mai des întreținerea curățătorului de aer în mediile cu mult praf.

Consultați *Program de întreținere la pagina 305* pentru informații despre înlocuirea filtrului de aer.

- Îndepărtați capacul filtrului de aer și scoateți filtrul.
- Curățați filtrul prin lovirea acestuia de o suprafață plană. Nu utilizați solvent cu benzină, kerosen sau aer comprimat pentru curățarea filtrului.

Nota: Filtrele de aer în funcțiune pentru o perioadă lungă de timp nu pot fi curățate complet. Înlocuiți filtrul de aer la intervale regulate. Filtrele de aer deteriorate trebuie înlocuite întotdeauna.

- Când asamblați filtrul de aer, asigurați-vă că acesta este etanșat complet pe suportul filtrului.

Curățarea filtrului de plastic din spumă (LB 144)



ATENȚIE: Nu porniți motorul fără filtrele de aer. Uzura motorului crește dacă aerul este murdar.

1. Îndepărtați capacul filtrului de aer (A). (Fig. 37)
2. Scoateți filtrele de plastic din spumă (B).



ATENȚIE: Verificați dacă filtrele de plastic din spumă nu sunt deteriorate sau uzate. Înlocuiți toate filtrele de plastic din spumă deteriorate.

3. Curățați cu apă și săpun filtrele de plastic din spumă.
4. Clătiți cu apă curată filtrele de plastic din spumă.
5. Stoarceți apa din filtre și lăsați-le să se usuce.



ATENȚIE: Nu folosiți aer comprimat. Acesta poate deteriora filtrele de plastic din spumă.

6. Ungeți cu ulei de motor filtrele de plastic din spumă.
7. Presați o lavetă curată pe filtrul de plastic din spumă pentru a îndepărta uleiul nedorit.
8. Montați filtrele de plastic din spumă. Asigurați-vă că filtrele de plastic din spumă se etanșează pe suportul filtrului de aer.
9. Montați capacul filtrului de aer.

Întreținerea bateriei (LB 244E)

Bateria nu necesită întreținere. Lăsați un centru de service autorizat să efectueze lucrări de service asupra bateriei numai dacă este necesar.

Pentru a utiliza bateria pentru prima dată (LB 244E)



ATENȚIE: Nu lăsați bateria să se descarce complet. Dacă bateria se descarcă complet, aceasta se poate defecta.

Trebuie să încărcați bateria înainte de prima utilizare.

1. Conectați încărcătorul la baterie, consultați *Încărcarea bateriei (LB 244E) la pagina 308.*
2. Așteptați până când se aprinde cel puțin 1 LED verde.
3. Conectați bateria la motor, consultați *Pornire electrică (LB 244E) la pagina 304.*

Încărcarea bateriei (LB 244E)

Dacă numai 1 lampă indicatoare de pe baterie este aprinsă sau nu este aprinsă niciuna, este necesară încărcarea bateriei. O baterie descărcată se încarcă

complet în 2 ore. Încărcarea pe perioade mai scurte nu deteriorează bateria.

1. Conectați încărcătorul la baterie. (Fig. 38)
2. Conectați încărcătorul de baterii la o priză de 100-240 V, 50-60 Hz.
3. Scoateți mai întâi încărcătorul din priza de alimentare, apoi scoateți încărcătorul din baterie.

Starea încărcării bateriei

Afișajul LED de pe baterie	Stare
LED-ul 1 luminează intermitent în culoarea roșie.	1%-9%
LED-ul 1 luminează continuu în culoarea roșie.	10%-32%
LED-ul 1 este verde, iar LED-ul 2 este roșu.	33%-54%
LED-urile 1 și 2 sunt verzi, iar LED-ul 3 este roșu.	55%-77%
LED-urile 1, 2 și 3 sunt verzi, iar LED-ul 4 este roșu.	78%-100%

Lampa indicatoare de pe încărcătorul de baterie	Stare
Lumină roșie constantă	Bateria se încarcă.
Lumină verde constantă	Bateria este complet încărcată.

Verificarea bujiei



ATENȚIE: Folosiți întotdeauna tipul recomandat de bujie. Tipul incorect de bujie poate defecta produsul.

- Verificați bujia dacă motorul nu are putere, nu pornește ușor sau nu funcționează corect la turația de ralanti.
- Pentru a reduce riscul prezenței materialelor nedorite pe electrozii bujiei, respectați aceste instrucțiuni:
 - a) Asigurați-vă că turația de ralanti este reglată corect.
 - b) Asigurați-vă că amestecul de combustibil este corect.
 - c) Asigurați-vă că filtrul de aer este curat.
- Dacă bujia este murdară, curățați-o și asigurați-vă că apărătoarea electrozilor este corespunzătoare, consultați *Date tehnice la pagina 311.* (Fig. 39)
- Înlocuiți bujia atunci când este necesar.

Pentru a examina sistemul de alimentare cu carburant

- Examinați bușonul rezervorului de carburant și garnitura bușonului rezervorului de carburant pentru a vă asigura că nu există deteriorări.
- Examinați furtunul de carburant pentru a vă asigura că nu există scurgeri. Dacă furtun de carburant este deteriorat, trebuie înlocuit de către un agent de service.

Golirea rezervorului de combustibil

1. Poziționați un recipient sub rezervorul de combustibil.
2. Scoateți capacul rezervorului de combustibil.
3. Împingeți colierele furtunului de combustibil spre carburator.
4. Scoateți furtunul de combustibil din carburator.
5. Introduceți furtunul rezervorului de combustibil în recipient și scoateți colierele furtunului.

6. Înclinați produsul și goliți combustibilul în recipient.

Înlocuirea filtrului de carburant



AVERTISMENT: Utilizați mănuși de protecție.

1. Goliți rezervorul de carburant.
2. Îndepărtați colierul furtunului de rezervorul de combustibil. (Fig. 40)
3. Scoateți furtunul de combustibil din rezervor. Este posibil să curgă o mică cantitate de carburant. (Fig. 41)
4. Scoateți filtrul de combustibil din rezervor. (Fig. 42)
5. Montați un filtru de combustibil nou în rezervor.
6. Fixați furtunul de combustibil pe rezervor.
7. Fixați colierul furtunului în poziție pe rezervorul de combustibil.

Depanarea motorului

Problemă	Cauza posibilă	Soluție
Motorul nu pornește.	Cablul de alimentare a aprinderii nu este conectat corect.	Conectați cablul de alimentare a aprinderii la bujie.
	Rezervorul de carburant este gol.	Umpleți rezervorul de carburant cu tipul corect de carburant.
	Combustibilul este vechi.	Scurgeți rezervorul de carburant și carburatorul. Realimentați cu benzină nouă.
	Există murdărie în carburator sau în conducta de carburant.	Curățați carburatorul și/sau conducta de carburant.
	Bujia este deteriorată.	Reglați apărătoarea electrozudului, curățați sau schimbați bujia.
	Există combustibil pe bujie.	Curățați bujia.
Motorul nu se oprește.	Mecanismul de oprire nu funcționează corect.	Decuplați cablul de alimentare a aprinderii de la bujie. Repararea produsului trebuie efectuată de către un agent de service autorizat.

Problemă	Cauza posibilă	Soluție
Motorul nu funcționează uniform.	Cablul de alimentare a aprinderii nu este conectat corect.	Conectați cablul de alimentare a aprinderii la bujie.
	Există mizerie în conducta de carburant sau carburantul a expirat.	Curățați conducta de carburant. Umpleți rezervorul de carburant cu carburant nou de tipul corect.
	Există un blocaj al capacului rezervorului de carburant.	Curățați capacul rezervorului de carburant.
	Există apă sau murdărie în sistemul de alimentare cu carburant.	Goliți rezervorul de carburant. Umpleți rezervorul de carburant cu carburant nou de tipul corect.
	Filtrul de aer este murdar.	Curățați filtrul de aer.
	Carburatorul trebuie reglat.	Lăsați un distribuitor de service să regleze carburatorul.
Motorul devine prea fierbinte.	Nivelul de ulei de motor este prea scăzut.	Umpleți cu ulei de motor.
	Debitul de aer nu este suficient.	Curățați filtrul de aer și carcasa filtrului de aer.
	Carburatorul trebuie reglat.	Lăsați un distribuitor de service să regleze carburatorul.
Există rateuri de combustie în timpul funcționării la viteză mare.	Distanța dintre electrozi din bujie este prea mică.	Reglați distanța dintre electrozi.
Zgomote neobișnuite de la motor în timpul operării cu sarcină normală.	Tip incorect de benzină.	Scurgeți rezervorul de carburant și carburatorul. Realimentați cu benzină nouă. Consultați <i>Pentru a examina sistemul de alimentare cu carburant la pagina 309</i> . Dacă problema persistă, discutați cu reprezentantul de service local.
Motorul nu funcționează lin la turația de mers în gol.	Bujia este murdară, defectă sau distanța dintre electrozi este prea mare.	Reglați apărațoarea electrodului sau schimbați bujia.
	Carburatorul trebuie reglat.	Reglați carburatorul.
	Filtrul de aer este murdar.	Curățați filtrul de aer.

Transportul, depozitarea și eliminarea

Transportul și depozitarea

- Pentru depozitarea și transportul produsului și a carburantului, asigurați-vă că nu există scurgeri și gaze. Scântele sau flăcările deschise, de exemplu cele provenite de la dispozitive sau boilere electrice, pot cauza un incendiu.
- Utilizați întotdeauna recipiente omologate pentru depozitarea și transportarea combustibilului.
- Goliți rezervorul de carburant și depozitați produsul pentru o perioadă lungă de timp. Eliminați carburantul într-o locație de eliminare autorizată

- Fixați în siguranță produsul în timpul transportului pentru a preveni daunele și accidentele.
- Păstrați produsul într-o zonă restricționată pentru a preveni accesul copiilor sau al persoanelor neautorizate.
- Păstrați produsul într-un spațiu uscat și ferit de îngheț.

Așezarea produsului în poziția pentru transport

1. Eliberați butoanele mânerului. (Fig. 43)

2. Plijați mânerul înainte până când ajunge la poziția de capăt. (Fig. 44)

Transport și depozitare pentru baterie și pentru încărcător

- Nu scoateți bateria până când produsul nu este staționar și rece. Pentru a scoate bateria, apăsați lung apăsat butonul din partea superioară a bateriei și scoateți-o din fanta sa.
- Dacă perioada de depozitare este de peste 30 de zile, încărcăți bateria până când aceasta are mai mult de 3 lumini verzi.
- Încărcați bateria o dată la fiecare 3 luni, pentru a preveni deteriorarea acesteia.
- Bateria și încărcătorul de baterii trebuie păstrate în depozit la o temperatură cuprinsă între 5 °C și 40 °C. Temperaturile mai ridicate sau sursele de temperatură ridicată, cum ar fi focul, pot provoca deteriorarea bateriei.
- Nu demontați bateria.
- Nu introduceți bateria complet în apă. Păstrați produsul într-un spațiu uscat și răcoros, cu un flux adecvat de aer.

- În cazul în care bateria miroase, este fierbinte sau căldura provoacă deformarea ei în timpul funcționării, depozitării sau încărcării, scoateți bateria și nu o utilizați.
- Asigurați-vă că bateria sau încărcătorul de baterii sunt atașate în timpul transportului, pentru a preveni deteriorarea.
- Asigurați-vă că încărcătorul de baterii nu se încălzește prea tare.

Dezafectarea

- Respectați cerințele de reciclare și reglementările locale aplicabile.
- Eliminați toate substanțele chimice, precum uleiul de motor sau antigelul, la un centru de service sau într-o locație de eliminare autorizată.
- Atunci când produsul nu mai este în uz, trimiteți-l la un distribuitor Husqvarna sau casați-l într-o locație de reciclare.
- Eliminați bateria la un centru de service sau la un centru de colectare a bateriilor uzate.

Date tehnice

Date tehnice

	LB 144	LB 244E
Motor		
Marcă	Husqvarna	Husqvarna
Model	HS 123A	HS 139AE
Tip de motor	Cu un cilindru, în 4 timpi, răcire forțată cu aer, OHV	Cu un cilindru, în 4 timpi, răcire forțată cu aer, OHV
Cilindree, cm ³	123	139
Turația motorului – Valoare nominală, rpm	3000/min	2900/min
Putere nominală motor, kW ¹³⁶	1,95	2,2
Sistem de aprindere		
Bujie	Husqvarna HQT-7	Husqvarna HQT-7
Spațiu electrod, mm	0,7-0,8	0,7-0,8
Carburant și sistem de lubrifiere		
Tip de lubrifiere a motorului	Stropire	Stropire

¹³⁶ Puterea nominală indicată a motorului este puterea de ieșire medie netă (la turația specificată) a unui motor de producție normal pentru modelul de motor, măsurată conform standardului SAE J1349/ISO1585. Motoarele de producție în masă pot prezenta valori diferite de aceasta. Puterea efectivă pentru motorul instalat pe produsul final va depinde de viteza de funcționare, de condițiile de mediu și de alte valori.

	LB 144	LB 244E
Capacitate rezervor de carburant, l	0,9	0,9
Capacitate rezervor de ulei, l	0,5	0,5
Ulei pentru motor ¹³⁷	Husqvarna SAE 30, Husqvarna SAE 5W-30 Synthetic, Husqvarna SAE 10W-40	Husqvarna SAE 30, Husqvarna SAE 5W-30 Synthetic, Husqvarna SAE 10W-40
Greutate		
Cu rezervoare goale, kg	22	23,5
Emisii de zgomot ¹³⁸		
Nivel de putere acustică, măsurat dB(A)	91	92
Nivel de putere acustică garantat L _{WA} dB(A)	94	94
Niveluri de zgomot ¹³⁹		
Nivel de presiune a sunetului la urechea operatorului, dB(A)	79	80
Niveluri de vibrații ¹⁴⁰		
Vibrații în mânerul superior, m/s ²	7,6	6,0
Accesorii de tăiere		
Înălțime de tăiere, mm	25-75	25-75
Lățime de tăiere, mm	440	440
Sistem de tăiere	Bioclip®	Bioclip®
Lamă - Standard	Mulch 5464584-10	Mulch 5464584-10
Sistem de pornire		
Demarar electric	Nu	Da
Baterie	-	Litiu-ion, 10,8 V/21,6 Wh

¹³⁷ Utilizați ulei pentru motor de calitate API SJ sau alta superioară. Dacă se folosește ulei SAE-30 la temperaturi mai joase de +5 °C, există riscul să nu lubrificez suficient motorul. Acest lucru poate cauza deteriorarea motorului. Consultați *Înlocuirea uleiului pentru motor la pagina 307* pentru uleiul corect pentru temperaturi scăzute. Consultați diagrama de vâscozitate din manualul motorului (dacă este inclusă) și selectați vâscozitatea optimă pe baza temperaturii exterioare preconizate.

¹³⁸ Emisiile de zgomot în mediu măsurate ca putere acustică (L_{WA}) în conformitate cu directiva CE 2000/14/CE.

¹³⁹ Datele raportate pentru nivelul presiunii zgomotului prezintă o dispersie statistică tipică (abatere standard) de 1,2 dB(A).

¹⁴⁰ Datele raportate pentru nivelul de vibrații prezintă o dispersie statistică tipică (abatere standard) de 0,2 m/s².

Declarație de conformitate

Declarație de conformitate UE

Noi, **Husqvarna AB**, SE-561 82 Huskvarna, Suedia, tel.: +46-36-146500, declarăm pe propria răspundere, că produsul:

Descriere	Mașină de tuns gazonul
Marcă	Husqvarna
Tip/Model	LB 144, LB 244E
Identificare	Numerele de serie începând cu 2023

respectă în totalitate următoarele directive și reglementări UE:

Reglementare	Descriere
2006/42/CE	„privind utilajele”
2014/30/UE	„aferență compatibilității electromagnetice”
2000/14/CE	„privind emisiile de zgomot în mediul înconjurător”
2011/65/UE	„privind restricțiile de utilizare a anumitor substanțe periculoase în echipamentele electrice și electronice”

și că au fost aplicate următoarele standarde și/sau specificații tehnice: EN ISO 5395-1:2013+A1:2018, EN ISO 5395-2:2013+A1:2016+A2:2017, EN IEC 63000:2018, EN ISO 14982:2009

Organismul notificat: 0404, SMP Svensk Maskinprovning AB, Box 4053, SE-904 03 Umeå, Sweden a certificat conformitatea cu directiva 2000/14/CE a consiliului, procedura de evaluare a conformității: Anexa VI.

Pentru informații privind emisiile de zgomot, consultați *Date tehnice la pagina 311.*

Huskvarna, 2023-09-18



Claes Losdal, Director de Dezvoltare / Produse de grădinărit, Husqvarna AB

Responsabil pentru documentația tehnică



Содержание

Введение.....	314	Поиск и устранение неисправностей двигателя....	326
Безопасность.....	315	Транспортировка, хранение и утилизация.....	327
Сборка.....	319	Технические данные.....	328
Эксплуатация.....	319	Декларация о соответствии.....	330
Техническое обслуживание.....	321		

Введение

Описание изделия

Изделие представляет собой роторную газонокосилку с пешеходным управлением, которая использует BioClip для измельчения скошенной травы в удобрение.

Обзор изделия

(Рис. 1)

1. Рукоятка тормоза двигателя
2. Рукоятка / рукоятка управления
3. Ручка шнура стартера (LB 144)
4. Рычаг регулировки высоты кошения
5. Крышка масляного бака и щуп
6. Глушитель
7. Свеча зажигания
8. Подъемная рукоятка
9. Скоба регулировки высоты рукоятки управления
10. Крышка топливного бака
11. Воздушный фильтр
12. Кожух режущего оборудования
13. Нож
14. Пружинная шайба
15. Болт ножа
16. Аккумулятор, защитное устройство (LB 244E)
17. Кнопка электрического стартера (LB 244E)
18. Руководство по эксплуатации

Символы на изделии

(Рис. 2) **ПРЕДУПРЕЖДЕНИЕ!** Соблюдайте осторожность и правила эксплуатации изделия. Изделие может стать причиной тяжелой травмы или смерти оператора и окружающих.

(Рис. 3) Перед началом работы внимательно прочитайте руководство по эксплуатации и убедитесь, что понимаете приведенные в нем инструкции.

(Рис. 4) Берегитесь отскакивающих предметов и рикошетов.

Назначение

Используйте изделие для стрижки травы. Запрещается использовать изделие для других видов работ.

(Рис. 5) Следите за тем, чтобы в зоне проведения работ не было людей и животных.

(Рис. 6) Предупреждение. Держите руки и ноги на безопасном расстоянии от вращающегося ножа.

(Рис. 7) Предупреждение. Не подносите руки и ноги к вращающимся частям.

(Рис. 8) Остановите двигатель и отсоедините кабель зажигания, прежде чем приступать к ремонту или техобслуживанию.

(Рис. 9) Данное изделие отвечает требованиям соответствующих директив ЕС.

(Рис. 10) Табличка с уровнем эмиссии шума в окружающую среду в соответствии с директивами и нормативами Европейского союза, Великобритании и законодательством Нового Южного Уэльса "Регламент 2017 года по защите окружающей среды (контроль уровня шума)". Гарантированный уровень звуковой мощности изделия указан в *Технические данные на стр. 328* и на табличке.

(Рис. 11) Данное изделие соответствует действующим директивам Великобритании.

(Рис. 12) Опасность возгорания.

(Рис. 13) Не вдыхайте выхлопные газы. Выхлопные газы из двигателя содержат монооксид углерода — не имеющий запаха, токсичный и чрезвычайно опасный газ. Запрещается запускать двигатель в помещении или в замкнутых пространствах.

(Рис. 14) Горячая поверхность.

(Рис. 16) Перед запуском изделия залейте в двигатель масло.

(Рис. 17) Процедура запуска для LB 144: Опустите рукоятку тормоза двигателя и потяните ручку шнура стартера.

(Рис. 18) Процедура запуска для LB 244E: Опустите рукоятку тормоза двигателя и нажмите кнопку запуска.

(Рис. 15) Сканируемый код.

Примечание: Остальные символы/наклейки на изделии отвечают требованиям, предъявляемым к сертификации в других коммерческих зонах.

Повреждение изделия

Мы не несем ответственности за повреждение изделия в следующих случаях:

- ненадлежащий ремонт изделия;
- использование для ремонта изделия неоригинальных деталей или деталей, не одобренных производителем;
- использование неоригинальных дополнительных принадлежностей или принадлежностей, не одобренных производителем;
- ремонт изделия в неавторизованном сервисном центре или неквалифицированным специалистом.

Соответствие уровня токсичных выбросов стандарту Euro V



ПРЕДУПРЕЖДЕНИЕ: В случае вмешательства в работу двигателя данное изделие перестанет соответствовать нормативам ЕС.

Безопасность

Инструкции по технике безопасности

Предупреждения, предостережения и примечания используются для выделения особо важных пунктов руководства.



ПРЕДУПРЕЖДЕНИЕ:

Используется, когда несоблюдение инструкций руководства может привести к травмам или смерти оператора или находящихся рядом посторонних лиц.



ВНИМАНИЕ: Используется, когда несоблюдение инструкций руководства может привести к повреждению изделия, других материалов или прилегающей территории.

Примечание: Используется для предоставления дополнительных сведений о конкретной ситуации.

Общие инструкции по технике безопасности



ПРЕДУПРЕЖДЕНИЕ:

В обязательном порядке прочитайте следующие инструкции по технике безопасности, прежде чем приступить к эксплуатации изделия.

- При небрежном или неправильном обращении изделие может представлять собой опасность. Несоблюдение инструкций по технике безопасности может привести к травмам или смерти.
- Во время работы данное изделие создает электромагнитное поле. В определенных обстоятельствах это поле может создавать помехи для пассивных и активных медицинских имплантатов. В целях снижения риска серьезной или смертельной травмы лицам с медицинскими имплантатами рекомендуется проконсультироваться с врачом и изготовителем имплантата, прежде чем приступить к эксплуатации данного изделия.
- Всегда соблюдайте осторожность и руководствуйтесь здравым смыслом. Если вы не уверены, как правильно эксплуатировать изделие

в определенной ситуации, прекратите работу и проконсультируйтесь с дилером Husqvarna, прежде чем продолжить.

- Помните: ответственность за несчастные случаи, угрожающие другим людям или их имуществу, несет оператор изделия.
- Содержите изделие в чистоте. Следите за тем, чтобы знаки и наклейки были легко читаемыми.
- Не разрешайте пользоваться изделием людям, не убедившись сначала в том, что они прочитали и поняли содержание руководства по эксплуатации.
- Не позволяйте детям использовать изделие.
- Не допускайте детей в рабочую зону. Они должны постоянно находиться под присмотром взрослого.
- Не допускайте к работе с изделием людей, которые не знакомы с данными инструкциями.
- Не оставляйте без присмотра людей с физическими или умственными нарушениями, использующих изделие. Они должны постоянно находиться под присмотром взрослого.
- Ни в коем случае не используйте изделие, если вы устали, больны или находитесь под воздействием алкоголя, наркотических веществ или лекарственных препаратов. Это может повлиять на ваше зрение, реакцию, координацию или оценку действительности.
- Не используйте изделие, если оно повреждено или работает неправильно.
- Запрещается вносить изменения в изделие или использовать его, если вы подозреваете, что конструкция была модифицирована.
- Не изменяйте настройку системы управления частотой вращения двигателя.

Техника безопасности на рабочем месте



ПРЕДУПРЕЖДЕНИЕ: В обязательном порядке прочитайте следующие инструкции по технике безопасности, прежде чем приступать к эксплуатации изделия.

- Уберите ветви, сучья, камни и прочие посторонние предметы из рабочей зоны перед началом эксплуатации изделия.
- Предметы, ударяющиеся о режущий инструмент, могут быть отброшены, что приведет к травмам или повреждению имущества. Следите за тем, чтобы посторонние лица и животные находились на безопасном расстоянии от изделия.
- Ни в коем случае не используйте изделие при неблагоприятных погодных условиях, например, в туман, дождь, при сильном ветре, низких температурах и риске удара молнии. Эксплуатация изделия при плохих погодных условиях или на сырых участках утомительна. Плохие погодные условия могут создавать

опасные условия для работы, например, скользкие поверхности.

- Следите за возможным появлением посторонних лиц, предметов или условий, которые могут препятствовать безопасной эксплуатации изделия.
- Следите за возможным появлением препятствий, таких как корни, камни, сучья, ямы или рвы. Высокая трава может скрывать препятствия.
- Стрижка травы на склоне может представлять опасность. Запрещается использовать изделие на участках с уклоном более 15°.
- Используйте изделие поперек поверхности склона. Не передвигайтесь вверх и вниз по поверхности склона.
- Проявляйте особую осторожность при приближении к скрытым из видимости поворотам или предметам, которые могут затруднять обзор.

Техника безопасности



ПРЕДУПРЕЖДЕНИЕ: В обязательном порядке прочитайте следующие инструкции по технике безопасности, прежде чем приступать к эксплуатации изделия.

- Изделие предназначено исключительно для скашивания травы на газонах. Запрещается использовать изделие не по назначению.
- Пользуйтесь средствами индивидуальной защиты. См. раздел *Средства индивидуальной защиты на стр. 317*.
- Убедитесь, что вы знаете, как быстро остановить двигатель в аварийной ситуации.
- Запрещается запускать двигатель в закрытом помещении или вблизи легковоспламеняющихся материалов. Выхлопные газы двигателя имеют высокую температуру и могут содержать искры, которые в свою очередь могут привести к пожару.
- Ни в коем случае не используйте изделие с отсутствующими или неправильно установленными кожухами или ножом. Неправильно установленный нож может высвободиться и причинить травму.
- Следите за тем, чтобы в нож не попали посторонние предметы, например, камни и корни. Это может затупить нож и привести к искривлению вала двигателя. При сгибании оси увеличивается уровень вибрации, что может привести к снижению надежности крепления ножа.
- В случае столкновения ножа с посторонним предметом или возникновения вибрации незамедлительно остановите изделие. Отсоедините кабель от свечи зажигания. Проверьте изделие на наличие повреждений. Выполните ремонт повреждений или обратитесь в авторизованный сервисный центр для выполнения ремонта.

- Запрещается на постоянной основе фиксировать рукоятку тормоза двигателя при работающем двигателе.
- При запуске изделие должно находиться на устойчивой, ровной поверхности. Убедитесь, что нож не касается грунта или любого другого предмета.
- При работе с изделием всегда стойте сзади.
- При работе с изделием все колеса должны стоять на земле; держите рукоятку обеими руками. Не приближайте руки или ноги к вращающимся ножам.
- Запрещается наклонять изделие при работающем двигателе.
- Соблюдайте осторожность, когда тянете изделие назад.
- Запрещается поднимать изделие при работающем двигателе. Если вам необходимо поднять изделие, сначала остановите двигатель и отсоедините кабель от свечи зажигания.
- Запрещается двигаться назад при работе с изделием.
- Останавливайте двигатель, когда пересекаете непокрытые травой зоны, например, дорожки из гравия, камня или асфальта.
- Запрещается бегать с изделием при работающем двигателе. Работайте с изделием в спокойном темпе.
- Выключайте двигатель, прежде чем изменить высоту стрижки. Ни в коем случае не выполняйте регулировку при работающем двигателе.
- Ни в коем случае не выпускайте изделие из вида при работающем двигателе. Остановите двигатель и убедитесь, что режущее оборудование не вращается.

Инструкции по безопасности во время эксплуатации

Средства индивидуальной защиты



ПРЕДУПРЕЖДЕНИЕ: В обязательном порядке прочитайте следующие инструкции по технике безопасности, прежде чем приступать к эксплуатации изделия.

- Средства индивидуальной защиты не могут полностью исключить риск получения травмы, но при несчастном случае они снижают тяжесть травмы. За помощью по правильному выбору оборудования обращайтесь к дилеру.
- Если уровень шума превышает 85 дБ, следует использовать защитные наушники.
- Используйте прочные, противоскользящие ботинки. Запрещается надевать открытую обувь или работать босиком.
- Надевайте прочные длинные брюки.

- При необходимости надевайте защитные перчатки, например, при закреплении, проверке или очистке режущего оборудования.

Защитные устройства на изделии



ПРЕДУПРЕЖДЕНИЕ: В обязательном порядке прочитайте следующие инструкции по технике безопасности, прежде чем приступать к эксплуатации изделия.

- Не используйте изделие, если защитные устройства повреждены или работают неправильно.
- Регулярно выполняйте проверку защитных устройств. Если защитные устройства повреждены или работают неправильно, обратитесь в сервисный центр Husqvarna.
- Запрещается вносить изменения в защитные устройства.

Проверка режущей деки

Режущая дека снижает уровень вибрации изделия и риск травмирования ножом.

- Проверьте режущую деку и убедитесь, что на ней отсутствуют повреждения, такие как трещины.

Аккумулятор (LB 244E)



ПРЕДУПРЕЖДЕНИЕ: Поврежденный аккумулятор снижает безопасность изделия. Всегда используйте только рекомендованный производителем аккумулятор.

Аккумулятор подает питание для электрического запуска и служит защитным устройством, предотвращающим случайный запуск. Извлеките аккумулятор, если вы не используете изделие или оставляете его без присмотра.

Проверка рукоятки тормоза двигателя

Рукоятка тормоза двигателя предназначена для остановки двигателя. При отпуске рукоятки тормоза двигатель останавливается.

- Запустите двигатель и отпустите рукоятку тормоза двигателя. Если двигатель не остановится через 3 секунды, обратитесь в авторизованный сервисный центр Husqvarna для регулировки тормоза двигателя. (Рис. 19)

Глушитель

Глушитель предназначен для максимального снижения уровня шума и отвода выхлопных газов в сторону от оператора.

Запрещается использовать изделие, если глушитель поврежден или отсутствует. Повреждение глушителя приводит к повышению уровня шума и риску возгорания.



ПРЕДУПРЕЖДЕНИЕ:

Глушитель сильно нагревается в ходе работы и остается горячим после окончания работы, а также во время работы двигателя на холостых оборотах. Во избежание возгорания соблюдайте осторожность при работе вблизи легковоспламеняющихся материалов и/или паров.

Проверка глушителя

- Регулярно осматривайте глушитель и проверяйте, что он правильно закреплен и не поврежден.

Техника безопасности при работе с топливом



ПРЕДУПРЕЖДЕНИЕ: В обязательном порядке прочитайте следующие инструкции по технике безопасности, прежде чем приступить к эксплуатации изделия.

- Запрещается запускать изделие, если на него попало топливо или моторное масло. Удалите следы топлива/масла и дайте изделию высохнуть
- Если топливо попало на одежду, немедленно смените ее.
- Не допускайте попадания топлива на тело, это может нанести вред здоровью. При попадании топлива на тело смойте его водой с мылом.
- Запрещается запускать изделие при наличии утечки из двигателя. Регулярно проверяйте двигатель на наличие утечек.
- Соблюдайте осторожность при обращении с топливом. Топливо является легковоспламеняющейся жидкостью со взрывоопасными парами и может привести к травмам или смерти.
- Не вдыхайте пары топлива, т. к. это может нанести вред здоровью. Убедитесь в наличии достаточного потока воздуха.
- Запрещается курить вблизи топлива или двигателя.
- Не размещайте теплые предметы рядом с топливом или двигателем.
- Запрещается доливать топливо во время работы двигателя.
- Прежде чем заправлять изделие подождите, пока двигатель полностью остынет.
- Перед заправкой топлива медленно откройте крышку топливного бака и осторожно сбросьте давление.

- Запрещается заливать топливо в двигатель в помещении. Недостаточная вентиляция может привести к травме или смерти в результате удушья или отравления угарным газом.
- Полностью затяните крышку топливного бака. Если крышка топливного бака не затянута, возникает риск возгорания.
- Переместите изделие минимум на 3 м (10 футов) от места заправки топливом, прежде чем запустить его.
- Никогда не заправляйте топливный бак до краев. Тепло приводит к расширению топлива. Оставьте место в верхней части топливного бака.
- Никогда не храните изделие с топливом в топливном баке в помещении, где присутствуют источники возгорания, такие как водонагреватели, обогреватели или сушилки для одежды. Дайте двигателю остынуть перед помещением его на хранение в какой-либо корпус.

Инструкции по технике безопасности во время технического обслуживания



ПРЕДУПРЕЖДЕНИЕ: В обязательном порядке прочитайте следующие инструкции по технике безопасности, прежде чем приступить к эксплуатации изделия.

- Выхлопные газы из двигателя содержат окись углерода — не имеющий запаха, токсичный и чрезвычайно опасный газ. Запрещается запускать двигатель в помещении или в замкнутых пространствах.
- Прежде чем приступить к техобслуживанию изделия, остановите двигатель и отсоедините кабель от свечи зажигания. На модели LB 244E также необходимо снять аккумулятор.
- Надевайте защитные перчатки при техобслуживании режущего оборудования. Нож очень острый, что при неосторожном обращении может легко привести к порезам.
- Использование принадлежностей или внесение изменений в конструкцию изделия, не одобренных производителем, может привести к серьезным или смертельным травмам. Запрещается вносить изменения в конструкцию изделия. Пользуйтесь только рекомендованными производителем принадлежностями.
- При несоблюдении правил и сроков выполнения техобслуживания риск получения травмы или повреждения изделия возрастает.
- Выполняйте техобслуживание строго в соответствии с инструкциями, приведенными в руководстве по эксплуатации. Все прочие виды сервисного обслуживания должны проводиться в авторизованном сервисном центре Husqvarna.

- Регулярно обращайтесь в авторизованный сервисный центр Husqvarna для проведения техобслуживания изделия.

- Замените поврежденные, сломанные или изношенные детали.

Сборка

Введение



ПРЕДУПРЕЖДЕНИЕ: Перед сборкой изделия ознакомьтесь с разделом, посвященным безопасности, и усвойте его содержание.



ПРЕДУПРЕЖДЕНИЕ: Перед сборкой изделия снимите со свечи зажигания провод свечи зажигания.

Сборка рукоятки

1. Потяните рукоятку назад, пока она не окажется в крайнем положении. (Рис. 20)

2. Затяните регуляторы рукоятки. (Рис. 21)

Регулировка рукоятки по высоте

1. Проверьте, что скоба регулировки высоты зафиксирована в пазе. Надавите ногой на скобу регулировки высоты, если она не зафиксирована в пазе. (Рис. 22)
2. Надавите ногой на скобу регулировки высоты.
3. Установите рукоятку управления в нужное положение и отпустите ее. (Рис. 23)

Эксплуатация

Введение



ПРЕДУПРЕЖДЕНИЕ: Перед эксплуатацией прибора необходимо внимательно изучить раздел безопасности.

Husqvarna Connect

Husqvarna Connect представляет собой бесплатное приложение для мобильного устройства. Приложение Husqvarna Connect позволяет пользоваться расширенными функциями вашего изделия Husqvarna:

- Дополнительная информация об изделии.
- Сведения о деталях и помощь в техническом обслуживании.

Как начать использовать Husqvarna Connect

1. Загрузите приложение Husqvarna Connect на свое мобильное устройство.
2. Зарегистрируйтесь в приложении Husqvarna Connect.
3. Выполните пошаговые инструкции в приложении Husqvarna Connect для подключения и регистрации изделия.

Перед началом эксплуатации агрегата

1. Внимательно прочитайте руководство по эксплуатации и убедитесь, что понимаете приведенные здесь инструкции.
2. Осмотрите режущее оборудование и убедитесь, что оно правильно закреплено и отрегулировано. См. раздел *Проверка режущего оборудования на стр. 322.*
3. Проверьте уровень моторного масла, при необходимости долейте его. См. раздел *Проверка уровня масла на стр. 323.*
4. Заполните топливный бак. См. раздел *Заправка топливом на стр. 319.*

Заправка топливом

Используйте обеспечивающий низкий уровень выбросов бензин / алкилатный бензин при наличии. При отсутствии обеспечивающего низкий уровень выбросов бензина / алкилатного бензина используйте качественный неэтилированный или этилированный бензин с октановым числом не ниже 91.



ВНИМАНИЕ: Запрещено использовать бензин с ОЧИ меньше 91. Это может привести к повреждению изделия.



ВНИМАНИЕ: Выполняйте замену топливного фильтра раз в год или чаще, если это необходимо. Новый топливный фильтр можно приобрести у дилера Husqvarna.



ВНИМАНИЕ: В обязательном порядке останавливайте двигатель перед заправкой изделия топливом.



ВНИМАНИЕ: Не используйте пусковые жидкости под давлением.

1. Медленно откройте крышку топливного бака, чтобы стравить давление.
2. Медленно залейте топливо из канистры. Если вы пролили топливо, вытрите его тряпкой и дайте оставшемуся топливу высохнуть. (Рис. 24)
3. Очистите поверхность вокруг крышки топливного бака.
4. Полностью затяните крышку топливного бака. Если крышка топливного бака не затянута, возникает риск возгорания.
5. Переместите изделие минимум на 3 м (10 футов) от места заправки топливом, прежде чем запустить его.

Установка изделия в рабочее положение

1. Установите рукоятку. См. раздел *Сборка рукоятки на стр. 319*.
2. Отрегулируйте рукоятку по высоте. См. раздел *Регулировка рукоятки по высоте на стр. 319*.



ВНИМАНИЕ: Убедитесь, что кабели не натянуты слишком сильно. Если кабели натянут слишком сильно, он может быть поврежден при складывании рукоятки в положение для транспортировки.



ПРЕДУПРЕЖДЕНИЕ: Не используйте изделие, если рукоятка не поднята полностью вверх и не установлена в одно из положений регулировки по высоте. См. раздел *Регулировка рукоятки по высоте на стр. 319*.

Регулировка высоты кошения

Существует 6 ступеней регулировки высоты кошения.

1. Остановите двигатель.

2. Переведите рычаг регулировки высоты кошения назад, чтобы увеличить высоту кошения. (Рис. 25)
3. Переведите рычаг регулировки высоты кошения вперед, чтобы уменьшить высоту кошения.



ВНИМАНИЕ: Не устанавливайте высоту кошения на слишком низкий уровень. Ножи могут ударяться о землю, если поверхность газона неровная.

Запуск агрегата

- Убедитесь, что кабель подсоединен к свече зажигания.

Ручной запуск (LB 144)

1. Встаньте позади изделия.
2. Прижмите рукоятку тормоза двигателя к верхней рукоятке. (Рис. 26)
3. Держите ручку шнура стартера правой рукой.
4. Медленно вытягивайте шнур стартера, пока не почувствуете некоторое сопротивление.
5. Резко потяните, чтобы завести двигатель.



ПРЕДУПРЕЖДЕНИЕ: Не наматывайте шнур стартера вокруг руки.

Электрический запуск (LB 244E)

1. Убедитесь, что аккумулятор заряжен. См. раздел *Техническое обслуживание аккумулятора (LB 244E) на стр. 324*.
2. Закрепите аккумулятор на двигателе. При надлежащей фиксации аккумулятора слышится щелчок. (Рис. 27)
3. Стойте позади изделия и удерживайте рукоятку тормоза двигателя (А) прижатой к верхней рукоятке. (Рис. 28)
4. Нажмите кнопку электрического запуска (В) и удерживайте ее нажатой в течение 3–5 секунд. Двигатель запускается.

Примечание: Если двигатель не запускается, подождите 1 минуту и попытайтесь запустить изделие еще раз.

Остановка изделия

- Для того чтобы остановить двигатель, отпустите рукоятку тормоза двигателя.

Извлечение аккумулятора (LB 244E)

Во избежание случайного запуска двигателя извлеките аккумулятор, если агрегат не используется.

- Нажмите кнопку блокировки (А) и извлеките аккумулятор. (Рис. 29)

Достижение оптимальных результатов

- Всегда пользуйтесь хорошо заточенным ножом. Затупившийся нож будет стричь траву неровно, и в месте среза трава будет желтеть. При использовании острого ножа также затрачивается меньше энергии, чем при работе с затупившимся ножом.
- Не срезайте более $\frac{1}{3}$ всей длины травы. Выполните первую стрижку на большей высоте. Проверьте полученный результат и уменьшите высоту стрижки до необходимого уровня. Если трава высокая, передвигайте газонокосилку медленно и, при необходимости, используйте газонокосилку 2 раза.

- Если вы хотите избежать образования полос на вашем газоне, следует каждый раз стричь его в разных направлениях.
- Следите за чистой режущей деки. Скопление травы и грязи на внутренней стороне режущей деки может привести к ухудшению качества кошения. См. раздел *Очистка внутренней поверхности режущей деки на стр. 322.*

Техническое обслуживание

Вводная информация



ПРЕДУПРЕЖДЕНИЕ: Перед выполнением техобслуживания необходимо внимательно изучить и понять информацию в разделе по технике безопасности.

Для выполнения любых работ по сервисному обслуживанию и ремонту изделия необходимо пройти специальное обучение. Мы гарантируем доступность услуг по профессиональному ремонту и сервисному обслуживанию. Если ваш дилер не предоставляет услуги сервисного обслуживания, обратитесь к нему для получения информации о ближайшем сервисном центре.

Дополнительную информацию см. в разделе www.husqvarna.com.

График технического обслуживания



ВНИМАНИЕ: При наклоне изделия следите за тем, чтобы воздушный фильтр был сверху и не был обращен в сторону земли. Риск повреждения двигателя.



ВНИМАНИЕ: На моделях с электрическим запуском извлекайте аккумулятор перед выполнением технического обслуживания, ремонта или очистки изделия.

График технического обслуживания составлен исходя из ежедневного использования изделия. Если изделие не используется ежедневно, интервалы техобслуживания изменятся.

Сведения о техническом обслуживании, отмеченном знаком *, см. в инструкциях в разделе *Защитные устройства на изделии на стр. 317.*

Техническое обслуживание	Ежедневно	Ежемесячно	Каждый сезон
Выполните общий осмотр	X		
Проверьте уровень масла	X		

Техническое обслуживание	Ежедневно	Ежемесячно	Каждый сезон
Замените масло (первый раз через 5 часов использования, затем через каждые 50 часов использования) ¹⁴¹			X
Очистите изделие	X		
Очистите область вокруг скобы регулировки высоты рукоятки	X		
Проверьте режущее оборудование	X		
Проверьте кожух режущего оборудования*	X		
Проверьте рукоятку тормоза двигателя*	X		
Проверьте глушитель*		X	
Проверьте свечу зажигания. Очистите или при необходимости замените свечу зажигания			X
Проверьте воздушный фильтр	X		
Очистите воздушный фильтр ¹⁴²		X	
Замените воздушный фильтр			X
Проверьте топливную систему			X
Очистите ребра охлаждения на цилиндре		X	

Выполнение общего осмотра

- Проверьте затяжку гаек и винтов на изделии.

Очистка изделия снаружи

- Используйте щетку для удаления листьев, травы и грязи.
- Убедитесь, что воздухозаборник в верхней части двигателя не заблокирован.
- Не используйте моечный агрегат высокого давления для чистки устройства.
- Если вы используете воду для очистки изделия, не допускайте попадания воды непосредственно на двигатель.

Очистка области вокруг скобы регулировки высоты рукоятки

- Используйте щетку для удаления листьев, травы и грязи. (Рис. 30)

Очистка внутренней поверхности режущей деки

- Опорожните топливный бак.

- Наклоните изделие. Убедитесь, что свеча зажигания направлена вверх.



ВНИМАНИЕ: Если положить изделие так, что воздушный фильтр будет направлен вниз, можно повредить двигатель.

- Промойте водой из шланга внутренние поверхности режущей деки.

Проверка режущего оборудования



ПРЕДУПРЕЖДЕНИЕ: Во избежание непреднамеренного запуска отсоедините кабель от свечи зажигания.



ПРЕДУПРЕЖДЕНИЕ: Надевайте защитные перчатки при техобслуживании режущего оборудования. Нож очень острый, что при неосторожном обращении может легко привести к порезам.

- Проверьте режущее оборудование на наличие повреждений или трещин. Всегда заменяйте поврежденное режущее оборудование.

¹⁴¹ Если изделие эксплуатируется с большой нагрузкой или при высокой температуре окружающей среды, заменяйте моторное масло каждые 25 часов.

¹⁴² В пыльных условиях или при наличии загрязнений в воздухе проводите очистку чаще. Замените воздушный фильтр, если он сильно загрязнен.

2. Осмотрите нож на наличие повреждений или следов притупления.

Примечание: После заточки ножа необходимо выполнить его балансировку. Обратитесь в сервисный центр для выполнения заточки, замены и балансировки ножа. При столкновении с препятствием, которое привело в остановку изделия, замените поврежденный нож. Сервисный центр должен определить, следует ли заточить нож или лучше его заменить.

Замена ножа

1. Заблокируйте нож деревянным бруском. (Рис. 31)
2. Снимите болт ножа и пружинную шайбу.
3. Снимите нож.
4. Проверьте опору и болт ножа на наличие повреждений.
5. Проверьте вал двигателя на наличие деформации.
6. При установке нового ножа находящиеся под углом края должны быть обращены в направлении кожуха режущего оборудования. (Рис. 32)
7. Убедитесь, что нож совмещен с центром вала двигателя.
8. Заблокируйте нож деревянным бруском. Установите пружинную шайбу и затяните болт с шайбой моментом 44–46 Н·м. (Рис. 33)
9. Проверните нож рукой и убедитесь, что он свободно вращается.



ПРЕДУПРЕЖДЕНИЕ:

Используйте прочные защитные перчатки. Нож очень острый, и при неосторожном обращении он может легко привести к порезам.

10. Запустите изделие, чтобы проверить работу ножа. Если нож установлен неправильно, вы ощутите вибрацию изделия или результат кошения будет неудовлетворительным.

Проверка уровня масла



ВНИМАНИЕ: Слишком низкий уровень масла может привести к повреждениям двигателя. Проверьте уровень масла перед запуском изделия.

1. Расположите изделие на ровной поверхности.
2. Снимите крышку масляного бака вместе с щупом.
3. Очистите щуп от масла.
4. Полностью погрузите щуп в масляный бак.
 - a) Не устанавливайте крышку масляного бака на LB 144.

- b) Установите крышку масляного бака на LB 244E.

5. Снимите крышку масляного бака вместе с щупом.
6. Проверьте уровень масла на щупе.
7. Если уровень масла низкий, долейте моторное масло и проверьте уровень масла еще раз. (Рис. 34)

Примечание: Используйте воронку для предотвращения проливания.

8. Установите крышку масляного бака, когда уровень масла будет в норме.

Замена моторного масла



ПРЕДУПРЕЖДЕНИЕ: Сразу после остановки двигателя моторное масло очень горячее. Дайте двигателю остыть, прежде чем сливать моторное масло. При попадании моторного масла на кожу смойте его мылом и водой.

(Рис. 35)

1. Запустите изделие и дождитесь, когда топливо в баке будет полностью израсходовано.
2. Отсоедините провод от свечи зажигания.
3. Снимите крышку масляного бака вместе с щупом.
4. Поместите емкость под изделие для сбора моторного масла.
5. Наклоните изделие или слейте моторное масло из масляного бака с помощью масляного насоса (принадлежность).
6. Залейте новое моторное масло; используйте тип масла, рекомендованный в *Технические данные на стр. 328*.
7. Проверьте уровень моторного масла. См. раздел *Проверка уровня масла на стр. 323*.
8. Установите крышку масляного бака, когда уровень масла будет соответствовать норме.

Воздушный фильтр

Загрязнение воздушного фильтра может привести к повреждению или неправильной работе двигателя. При работе в пыльных условиях необходимо чаще выполнять обслуживание воздушного фильтра. См. раздел *График технического обслуживания на стр. 321*, где приведена информация об интервалах замены воздушного фильтра.

Примечание: Всегда заменяйте поврежденный воздушный фильтр.

Снятие и установка воздушного фильтра (LB 244E)



ПРЕДУПРЕЖДЕНИЕ:

Используйте защитные перчатки.

1. Нажмите на фиксаторы на крышке воздушного фильтра.
2. Осторожно снимите крышку воздушного фильтра (А) с двигателя.
3. Снимите воздушный фильтр (В). (Рис. 36)
4. Проверьте воздушный фильтр на наличие повреждений. Замените поврежденный воздушный фильтр.
5. Очистите и проверьте воздушный фильтр. См. раздел *Очистка воздушного фильтра (LB 244E) на стр. 324.*
6. Установка выполняется в обратной последовательности.

Очистка воздушного фильтра (LB 244E)

Загрязнение воздушного фильтра может привести к повреждению или неправильной работе двигателя. При работе в пыльных условиях необходимо чаще выполнять обслуживание воздухоочистителя.

См. раздел *График технического обслуживания на стр. 321*, где приведена информация об интервалах замены воздушного фильтра.

1. Снимите крышку воздушного фильтра и извлеките фильтр.
2. Очистите фильтр, постукивая его о плоскую поверхность. Ни в коем случае не используйте для очистки фильтра растворители, содержащие бензин, керосин, а также сжатый воздух.

Примечание: После длительной эксплуатации воздушные фильтры невозможно очистить полностью. Регулярно выполняйте замену воздушного фильтра. Поврежденные воздушные фильтры необходимо заменять.

3. При сборке воздушного фильтра убедитесь, что он плотно прилегает к держателю фильтра.

Очистка пенопластового фильтра (LB 144)



ВНИМАНИЕ: Если воздушные фильтры не установлены, запуск двигателя запрещен. При загрязнении воздуха увеличивается износ двигателя.

1. Снимите крышку воздушного фильтра (А). (Рис. 37)
2. Снимите пенопластовые фильтры (В).



ВНИМАНИЕ: Осмотрите пенопластовые фильтры на наличие повреждений или износа. Замените все поврежденные пенопластовые фильтры.

3. Очистите пенопластовые фильтры с помощью мыла и воды.
4. Промойте пенопластовые фильтры чистой водой.
5. Выжмите воду из пенопластовых фильтров и дайте им высохнуть.



ВНИМАНИЕ: Не используйте сжатый воздух. Это может привести к повреждению пенопластового фильтра.

6. Смажьте пенопластовые фильтры моторным маслом.
7. Прижмите чистую ткань к пенопластовому фильтру, чтобы удалить излишки масла.
8. Установите пенопластовые фильтры. Убедитесь, что пенопластовые фильтры плотно посажены на место.
9. Установите крышку воздушного фильтра.

Техническое обслуживание аккумулятора (LB 244E)

Аккумулятор не требует технического обслуживания. При необходимости сервисное обслуживание аккумулятора должны выполнять только квалифицированные специалисты сервисных центров.

Первое использование аккумулятора (LB 244E)



ВНИМАНИЕ: Не допускайте полной разрядки аккумулятора. Полная разрядка аккумулятора может привести к его повреждению.

Перед первым использованием необходимо зарядить аккумулятор.

1. Подключите зарядное устройство к аккумулятору, см. раздел *Зарядка аккумулятора (LB 244E) на стр. 324.*
2. Дождитесь, пока загорится хотя бы 1 зеленый индикатор.
3. Закрепите аккумулятор на двигателе, см. раздел *Электрический запуск (LB 244E) на стр. 320.*

Зарядка аккумулятора (LB 244E)

Если на аккумуляторе не горят индикаторы или горит только 1 индикатор, необходимо зарядить аккумулятор. Разряженный аккумулятор заряжается

за 2 часа. Зарядка в течение меньшего времени не повреждает аккумулятор.

1. Подключите зарядное устройство к аккумулятору. (Рис. 38)
2. Подключите зарядное устройство к розетке на 100–240 В, 50–60 Гц.
3. Сначала отсоедините зарядное устройство от розетки, затем — от аккумулятора.

Состояние зарядки аккумулятора

Светодиодный дисплей на аккумуляторе	Состояние
Светодиод 1 мигает красным цветом.	1-9%
Светодиод 1 горит красным цветом.	10-32%
Светодиод 1 горит зеленым цветом, а светодиод 2 — красным.	33-54%
Светодиоды 1 и 2 горят зеленым цветом, а светодиод 3 — красным.	55-77%
Светодиоды 1, 2 и 3 горят зеленым цветом, а светодиод 4 — красным.	78-100%

Индикатор на зарядном устройстве	Состояние
Постоянно горит красный индикатор	Аккумулятор заряжается.
Постоянно горит зеленый индикатор	Аккумулятор полностью заряжен.

Проверка свечи зажигания



ВНИМАНИЕ: Всегда используйте свечи зажигания только рекомендованного типа. Использование свечи зажигания неправильного типа может привести к повреждению изделия.

- Проверьте свечу зажигания, если двигатель не набирает обороты, с трудом запускается или плохо работает на холостых оборотах.
- Чтобы уменьшить риск появления нежелательного материала на электродах свечи зажигания, соблюдайте следующие инструкции:

- a) Проверьте правильность регулировки оборотов холостого хода.
 - b) Убедитесь, что используется надлежащая топливная смесь.
 - c) Убедитесь, что воздушный фильтр чистый.
- Если свеча зажигания загрязнена, очистите ее и проверьте зазор между электродами, см. раздел *Технические данные на стр. 328*. (Рис. 39)
 - При необходимости замените свечу зажигания.

Проверка топливной системы

- Проверьте крышку топливного бака и уплотнение крышки топливного бака на наличие повреждений.
- Проверьте топливный шланг на наличие утечек. Если топливный шланг поврежден, обратитесь в сервисный центр для его замены.

Слив топлива из топливного бака

1. Установите емкость под топливный бак.
2. Снимите крышку топливного бака.
3. Прижмите хомуты на топливном шланге к карбюратору.
4. Отсоедините топливный шланг от карбюратора.
5. Опустите шланг топливного бака в емкость и снимите хомуты.
6. Наклоните изделие и слейте топливо в емкость.

Замена топливного фильтра



ПРЕДУПРЕЖДЕНИЕ:
Используйте защитные перчатки.

1. Слейте топливо из топливного бака.
2. Отодвиньте хомут шланга от топливного бака. (Рис. 40)
3. Отсоедините топливный шланг от топливного бака. Возможна утечка небольшого количества топлива. (Рис. 41)
4. Извлеките топливный фильтр из топливного бака. (Рис. 42)
5. Установите новый топливный фильтр в топливный бак.
6. Подсоедините топливный шланг к топливному баку.
7. Сдвиньте хомут шланга к топливному баку.

Поиск и устранение неисправностей двигателя

Проблема	Возможная причина	Решение
Двигатель не запускается.	Кабель зажигания подсоединен неправильно.	Подсоедините кабель зажигания к свече зажигания.
	Топливный бак пуст.	Заполните топливный бак подходящим топливом.
	Старое топливо.	Слейте топливо из бака и карбюратора. Заправьте свежим бензином.
	Грязь в карбюраторе или топливопроводе.	Очистите карбюратор и/или топливопровод.
	Свеча зажигания повреждена.	Отрегулируйте зазор между электродами, очистите или замените свечу зажигания.
	Топливо попало на свечу зажигания.	Очистите свечу зажигания.
Двигатель не останавливается.	Механизм останова работает неправильно.	Отсоедините кабель от свечи зажигания. Обратитесь в авторизованный сервисный центр для выполнения ремонта изделия.
Двигатель работает рывками.	Кабель зажигания подсоединен неправильно.	Подсоедините кабель зажигания к свече зажигания.
	В топливопроводе присутствует грязь, или топливо просрочено.	Очистите топливопровод. Залейте в топливный бак новое топливо подходящего типа.
	Крышка топливного бака засорена.	Очистите крышку топливного бака.
	В топливной системе присутствует вода или грязь.	Слейте топливо из топливного бака. Залейте в топливный бак новое топливо подходящего типа.
	Воздушный фильтр загрязнен.	Очистите воздушный фильтр.
	Необходимо отрегулировать карбюратор.	Обратитесь в сервисный центр для выполнения регулировки карбюратора.
Двигатель перегревается.	Слишком низкий уровень моторного масла.	Залейте моторное масло.
	Недостаточный поток воздуха.	Очистите воздушный фильтр и корпус воздушного фильтра.
	Необходимо отрегулировать карбюратор.	Обратитесь в сервисный центр для выполнения регулировки карбюратора.
При работе на высокой скорости в двигателе возникают пропуски зажигания.	Зазор между электродами свечи зажигания слишком маленький.	Отрегулируйте зазор между электродами.

Проблема	Возможная причина	Решение
Необычные шумы двигателя при нормальной нагрузке.	Неправильный тип бензина.	Слейте топливо из бака и карбюратора. Заправьте свежим бензином. См. раздел <i>Проверка топливной системы на стр. 325</i> . Если не удается устранить неисправность, обратитесь в местный сервисный центр.
Некорректная работа двигателя на холостых оборотах.	Свеча зажигания загрязнена, повреждена, или зазор между электродами слишком большой.	Отрегулируйте зазор между электродами или замените свечу зажигания.
	Необходимо отрегулировать карбюратор.	Отрегулируйте карбюратор.
	Воздушный фильтр загрязнен.	Очистите воздушный фильтр.

Транспортировка, хранение и утилизация

Транспортировка и хранение

- Перед помещением на хранение и транспортировкой изделия и топлива убедитесь в отсутствии утечек или испарения топлива. Искры или источники открытого огня, например, от электрических устройств или котлов, могут привести к пожару.
- Всегда используйте рекомендованные контейнеры для хранения и транспортировки топлива.
- Перед помещением изделия на длительное хранение опорожните топливный бак. Утилизируйте топливо в специально предназначенном для этого месте
- Надежно закрепите изделие на время транспортировки для предотвращения повреждений или аварий.
- Храните изделие в запортом помещении для предотвращения доступа к изделию детей или посторонних лиц.
- Храните изделие в сухом и защищенном от низких температур месте.

Установка изделия в положение для транспортировки

1. Ослабьте регуляторы рукоятки. (Рис. 43)
2. Сложите рукоятку вперед, пока она не достигнет конечного положения. (Рис. 44)

Транспортировка и хранение аккумулятора и зарядного устройства

- Извлекайте аккумулятор, только когда агрегат остановлен и остыл. Чтобы извлечь аккумулятор, нажмите и удерживайте кнопку в верхней части

аккумулятора, после чего извлеките его из отсека.

- Если аккумулятор был на хранении более 30 дней, заряжайте его, пока на нем не загорится более 3 зеленых индикаторов.
- Заряжайте аккумулятор раз в три месяца во избежание его повреждения.
- Аккумулятор и зарядное устройство должны храниться при температуре от 5 °C до 40 °C. Более высокие температуры или источники высокой температуры, например огонь, могут привести к повреждению аккумулятора.
- Не разбирайте аккумулятор.
- Не погружайте аккумулятор полностью в воду. Храните аккумулятор в сухом и прохладном месте с хорошей вентиляцией.
- Если аккумулятор начал пахнуть, нагрелся или деформировался под воздействием тепла во время работы, хранения или зарядки, извлеките аккумулятор и не используйте его.
- Во избежание повреждений во время транспортировки убедитесь, что аккумулятор или зарядное устройство закреплены.
- Убедитесь, что зарядное устройство не перегревается.

Утилизация

- Соблюдайте местное законодательство и действующие нормы в области переработки.
- Утилизируйте все химические вещества, такие как моторное масло или антифриз, в сервисном центре или в специально предназначенном для этого месте.
- Если изделие больше не эксплуатируется, отправьте его дилеру Husqvarna или утилизируйте в пункте переработки.

- Утилизируйте аккумулятор в сервисном центре или в специально предназначенном месте для утилизации аккумуляторов.

Технические данные

Технические данные

	LB 144	LB 244E
Двигатель		
Марка	Husqvarna	Husqvarna
Модель	HS 123A	HS 139AE
Тип двигателя	Однocyлиндровый, 4-тактный, с принудительным воздушным охлаждением, OHV	Однocyлиндровый, 4-тактный, с принудительным воздушным охлаждением, OHV
Рабочий объем, см ³	123	139
Частота вращения двигателя — номинальная, об/мин	3000 об/мин	2900 об/мин
Номинальная мощность двигателя, кВт ¹⁴³	1,95	2,2
Система зажигания		
Свеча зажигания	Husqvarna HQT-7	Husqvarna HQT-7
Зазор между электродами, мм	0,7–0,8	0,7–0,8
Топливная система и система смазки		
Тип смазки двигателя	Разбрызгивание	Разбрызгивание
Емкость топливного бака, л	0,9	0,9
Емкость масляного бака, л	0,5	0,5
Моторное масло ¹⁴⁴	Husqvarna SAE 30, Husqvarna SAE 5W-30 Synthetic, Husqvarna SAE 10W-40	Husqvarna SAE 30, Husqvarna SAE 5W-30 Synthetic, Husqvarna SAE 10W-40
Вес		
С пустыми баками, кг	22	23,5

¹⁴³ Указанная номинальная мощность двигателя — это средняя полезная мощность типичного серийного двигателя при указанной частоте вращения (об/мин) для определенной модели двигателя, измеренная в соответствии со стандартом SAE J1349/ISO1585. Показатели двигателей массового производства могут отличаться от этого значения. Фактическая выходная мощность двигателя, установленного на определенном изделии, зависит от рабочей скорости, условий окружающей среды и других параметров.

¹⁴⁴ Используйте моторное масло качества API SJ или выше. Если при температуре ниже +5 °C используется масло SAE-30, существует риск того, что смазка двигателя будет недостаточной. Это может привести к повреждению двигателя. Информация о масле, подходящем для использования при низких температурах, приведена в разделе *Замена моторного масла на стр. 323* Изучите таблицу вязкости в руководстве по эксплуатации двигателя (при наличии) и выберите оптимальное значение в соответствии с ожидаемой температурой окружающей среды.

	LB 144	LB 244E
Излучение шума ¹⁴⁵		
Уровень мощности звука, измеренный, дБ(А)	91	92
Уровень мощности звука, гарантированный, L _{WA} , дБ(А)	94	94
Уровни шума ¹⁴⁶		
Уровень звукового давления на уши оператора, дБ(А)	79	80
Уровни вибрации ¹⁴⁷		
Вибрации на верхней рукоятке, м/с ²	7,6	6,0
Режущее оборудование		
Высота кошения, мм	25–75	25–75
Ширина кошения, мм	440	440
Режущая система	Bioclip®	Bioclip®
Нож – стандартный	Mulch 5464584-10	Mulch 5464584-10
Система запуска		
Электрический стартер	Нет	Да
Аккумулятор	-	Литий-ионный, 10,8 В, 21,6 Вт·ч

¹⁴⁵ Излучение шума в окружающую среду измеряется как мощность звука (L_{WA}) согласно директиве ЕС 2000/14/ЕС.

¹⁴⁶ Указанные данные об уровне шумового давления имеют типичный статистический разброс (стандартное отклонение) 1,2 дБ(А).

¹⁴⁷ Указанные данные об уровне вибрации имеют типичный статистический разброс (стандартное отклонение) 0,2 м/с².

Декларация о соответствии

Декларация соответствия требованиям ЕС

Мы, компания **Husqvarna AB**, SE-561 82
Husqvarna, Швеция, тел.: +46-36-146500, с полной
ответственностью заявляем, что изделие:

Описание	Газонокосилка
Марка	Husqvarna
Тип / Модель	LB 144, LB 244E
Идентификация	Серийные номера начиная с 2023 года и далее

полностью соответствует следующим директивам и
нормативам ЕС:

Норматив	Описание
2006/42/EC	"О механическом оборудовании"
2014/30/EU	"Об электромагнитной совместимости"
2000/14/EC	"Об излучении шума в окружающую среду"
2011/65/EU	"Об ограничении использования определенных опасных веществ в электрическом и электронном оборудовании"

а также требованиям следующих
стандартов и/или технических регламентов:
EN ISO 5395-1:2013+A1:2018, EN ISO
5395-2:2013+A1:2016+A2:2017, EN IEC 63000:2018,
EN ISO 14982:2009

Уполномоченная организация: 0404, SMP Svensk
Maskinprovning AB, Box 4053, SE-904 03 Umeå,
Sweden подтвердила соответствие Директиве
Совета ЕС 2000/14/EC, процедура оценки
соответствия: Приложение VI.

Информацию по излучению шума см. в разделе
Технические данные на стр. 328.

Husqvarna, 2023-09-18

141400, Московская обл., Г. Химки, ул. Ленинградская,
владение 39, строение 6, здание II этаж 4,
помещение OB02_04,
телефон горячей линии 8-800-200-1689



Клаес Лосдал (Claes Losdal), директор отдела
разработок/садовая техника, Husqvarna AB

Ответственный за техническую документацию



Obsah

Úvod.....	331	Riešenie problémov s motorom.....	341
Bezpečnosť.....	332	Preprava, skladovanie a likvidácia.....	342
Montáž.....	335	Technické údaje.....	343
Prevádzka.....	335	Vyhľadanie o zhode.....	345
Údržba.....	337		

Úvod

Popis výrobku

Tento výrobok je rotačná kosačka na trávu s chodiacou obsluhou využívajúca zarážku BioClip, ktorá trávu naseká tak, aby sa dala použiť ako hnojivo.

Prehľad výrobku

(Obr. 1)

1. Rukoväť motorovej brzdy
2. Držadlo/rukoväť
3. Rukoväť štartovacieho lanka (LB 144)
4. Páka výšky rezu
5. Uzáver nádrže na olej s olejovou mierkou
6. Tlmič výfuku
7. Zapáľovacia sviečka
8. Zdvíhacia rukoväť
9. Výškovo nastaviteľný záves rukoväte
10. Uzáver palivovej nádrže
11. Vzduchový filter
12. Kryt rezacej časti
13. Nôž
14. Perová podložka
15. Skrutka noža
16. Batéria, bezpečnostné zariadenie (LB 244E)
17. Tlačidlo elektrického štartovania (LB 244E)
18. Návod na obsluhu

Symbyly na výrobku

(Obr. 2) **UPOZORNENIE!** Postupujte opatrne a používajte výrobok správnym spôsobom. Tento výrobok môže spôsobiť vážne poranenie alebo usmrtenie obsluhujúceho pracovníka alebo iných osôb.

(Obr. 3) Skôr než začnete stroj používať, pozorne si prečítajte návod na obsluhu a presvedčte sa, že ste porozumeli jeho obsahu.

(Obr. 4) Dávajte pozor na vymrštené predmety a spätné nárazy.

Plánované použitie

Produkt používajte na kosenie trávy. Výrobok nepoužívajte na iné účely.

(Obr. 5) Dbajte na to, aby osoby a zvieratá nevstupovali do pracovnej oblasti.

(Obr. 6) Upozornenie: Udržiavajte ruky a chodidlá mimo dosahu rotujúceho noža.

(Obr. 7) Upozornenie: Udržiavajte ruky a chodidlá mimo dosahu rotujúcich častí.

(Obr. 8) Pred vykonávaním opráv a údržby vypnite motor a odpojte kábel zapáľovania.

(Obr. 9) Tento výrobok je v súlade s príslušnými smernicami EÚ.

(Obr. 10) Označenie týkajúce sa emisie hluku do okolia podľa smerníc a nariadení EÚ a UK a legislatívy v štáte New South Wales „Protection of the Environment Operations (Noise Control) Regulation 2017“ (Nariadenie o ochrane životného prostredia pri prevádzke (kontrola hluku) z roku 2017). Garantovaná hladina akustického výkonu produktu je uvedená v *Technické údaje na strane 343* a na štítku.

(Obr. 11) Tento výrobok je v súlade s príslušnými právnymi predpismi Spojeného kráľovstva.

(Obr. 12) Hrozí nebezpečenstvo požiaru.

(Obr. 13) Nevychujte výfukové plyny. Výfukové plyny z motora obsahujú oxid uhoľnatý, plyn bez zápachu, ktorý je jedovatý a veľmi nebezpečný. Motor neštartujte v interiéri ani v uzavretých priestoroch.

(Obr. 14) Horúci povrch.

(Obr. 16) Pred štartovaním výrobku naplňte motor olejom.

(Obr. 17) Postup štartovania modelu LB 144: Zatiačte rukoväť motorovej brzdy nadol a potiahnite rukoväť štartovacieho lanka.

(Obr. 18) Postup štartovania modelu LB 244E: Zatiačte rukoväť motorovej brzdy nadol a stlačte tlačidlo štartovania.

(Obr. 15) Snímateľný kód.

Poznámka: Ostatné symboly/štítky na výrobku odkazujú na požiadavky certifikácie pre iné komerčné oblasti.

Poškodenie výrobku

Nie sme zodpovední za škody na našom výrobku v prípade:

- nesprávne vykonanej opravy výrobku,
- opravy výrobku, pri ktorej neboli použité diely od výrobcu alebo diely schválené výrobcom,
- používania príslušenstva od iného výrobcu alebo príslušenstva, ktoré nie je schválené výrobcom,
- opravy výrobku, ktoré neboli vykonané v schválenom servisnom stredisku alebo schválenými kompetentnými osobami.

Emisie Euro V



VÝSTRAHA: Nepovolená manipulácia s motorom ruší platnosť typového schválenia tohto výrobku pre EÚ.

Bezpečnosť

Bezpečnostné definície

Výstrahy, upozornenia a poznámky slúžia na zdôraznenie mimoriadne dôležitých častí návodu.



VÝSTRAHA: Používa sa, ak pre obsluhu alebo osoby v okolí existuje nebezpečenstvo poranenia alebo smrti v prípade nedodržania pokynov v návode.



VAROVANIE: Používa sa, ak hrozí nebezpečenstvo poškodenia produktu, iných materiálov alebo okolitej oblasti v prípade nedodržania pokynov v návode.

Poznámka: Používa sa na poskytnutie informácií nad rámec nevyhnutných informácií v danej situácii.

Všeobecné bezpečnostné pokyny



VÝSTRAHA: Skôr než budete výrobok používať, prečítajte si nasledujúce výstrahy.

- Tento výrobok je nebezpečný, ak sa nepoužíva správne alebo ak nie ste pri jeho používaní opatrní. V prípade nedodržania bezpečnostných pokynov hrozí poranenie alebo usmrtienie.
- Tento výrobok vytvára počas prevádzky elektromagnetické pole. Toto pole môže za určitých okolností spôsobovať rušenie aktívnych alebo pasívnych implantovaných zdravotníckych pomôcok. Na zníženie rizika vážneho alebo smrteľného zranenia odporúčame, aby sa osoby s implantovanými pomôckami poradili so svojim lekárom a výrobcom pomôcky ešte pred použitím tohto výrobku.
- Vždy zachovávajúte opatrnosť a riadte sa zdravým úsudkom. Ak si v určitých situáciách nie ste istí, ako máte výrobok používať, výrobok nepoužívajte a pred pokračovaním v práci sa poraďte s predajcom spoločnosti Husqvarna.
- Nezabudnite, že operátor bude zodpovedný za nehody zahŕňajúce iné osoby alebo ich majetok.
- Výrobok udržiavajte čistý. Symboly a emblémy musia byť čitateľné.
- Nedovoľte, aby výrobok používali iné osoby, pokiaľ sa neistíte, že si prečítali tento návod na obsluhu a porozumeli jeho obsahu.
- Nedovoľte, aby výrobok používali deti.
- Deti držte v bezpečnej vzdialenosti od pracovnej oblasti. Vyžaduje sa neustála prítomnosť zodpovednej dospeljej osoby.
- Nedovoľte, aby výrobok používali osoby, ktoré nepoznajú potrebné pokyny.
- Osoby so zníženými fyzickými alebo duševnými schopnosťami musia byť počas používania výrobku vždy pod dozorom. Vyžaduje sa neustála prítomnosť zodpovednej dospeljej osoby.
- Výrobok nepoužívajte, ak ste unavení, chorí alebo ste pod vplyvom alkoholu, drog alebo liekov. Vyššie uvedené prípady majú negatívny vplyv na váš zrak, ostražitosť, koordináciu a úsudok.
- Nepoužívajte výrobok, ktorý je poškodený alebo nefunguje správne.
- Výrobok žiadnym spôsobom neupravujte ani nepoužívajte, ak existuje možnosť, že bol upravený inými osobami.

- Nemeňte nastavenie regulácie otáčok motora.

Bezpečnosť na pracovisku



VÝSTRAHA: Skôr než budete používať produkt, prečítajte si nasledujúce výstrahy.

- Pred používaním výrobku odstráňte z pracovnej oblasti všetky predmety, ako sú napr. konáre, vetvy a kamene.
- Predmety, ktoré narazia na rezné zariadenie, môžu byť vymrštené a spôsobiť poranenie osôb alebo poškodenie iných predmetov. Dávajte pozor, aby okolo stojace osoby a zvieratá nevstupovali do pracovnej oblasti.
- Výrobok nikdy nepoužívajte počas nepriaznivých poveternostných podmienok, napríklad v hmle, v daždi, v silnom vetre, v silnom mraze, pri vysokom riziku blýskania. Používanie výrobku počas nepriaznivých poveternostných podmienok alebo na vlhkých alebo mokrych miestach je namáhavé. Nepriaznivé poveternostné podmienky môžu mať za následok vznik nebezpečných podmienok, akými sú napr. klzké povrchy.
- Dávajte pozor na osoby, predmety a situácie, ktoré môžu zamedziť bezpečnej prevádzke výrobku.
- Dávajte pozor na prekážky, ako sú napr. korene, kamene, halúzky, jamy a priekopy. Vysoká tráva môže zakrývať prekážky.
- Kosenie trávy na svahoch môže byť nebezpečné. Výrobok nepoužívajte na svahoch so sklonom viac ako 15 °.
- S výrobkom sa pohybujte po vrstevnici. Nepohybujte sa smerom do svahu a zo svahu.
- V blízkosti skrytých rohov a objektov, ktoré vám bránia vo výhlade, sa pohybujte opatrne.

Bezpečnosť pri práci



VÝSTRAHA: Skôr než budete výrobok používať, prečítajte si nasledujúce výstrahy.

- Tento výrobok používajte len na kosenie trávy. Výrobok sa nesmie používať na iné úlohy.
- Používajte osobné ochranné pomôcky. Pozrite si časť *Osobné ochranné prostriedky na strane 333*.
- Naučte sa, ako v prípade núdze rýchlo zastaviť motor.
- Nikdy neštartujte motor v uzavretých priestoroch alebo v blízkosti horľavého materiálu. Výfukové plyny z motora sú horúce a môžu obsahovať iskry, ktoré môžu vyvolať požiar.
- Výrobok nepoužívajte, pokiaľ nie sú nôž a všetky kryty správne upevnené. Nesprávne pripojený nôž sa môže uvoľniť a spôsobiť poranenia osôb.
- Uistite sa, že nôž nenarazí na predmety, ako sú napr. kamene alebo korene. Môže dôjsť k poškodeniu noža a ohnutiú hriadeľa motora.

Ohnutá náprava spôsobuje silné vibrácie a vzniká veľké nebezpečenstvo uvoľnenia noža.

- Ak nôž narazí na predmet alebo ak cítite vibrácie, výrobok okamžite vypnite. Odpojte kábel zapalovania od zapalovacej sviečky. Skontrolujte, či nie je výrobok poškodený. Opravte akékoľvek poškodenie alebo kontaktujte servisného zástupcu.
- Keď je naštartovaný motor, rukoväť motorovej brzdy nesmie byť nikdy trvalo pripevnená k rukoväti.
- Položte výrobok na stabilný, rovný povrch a naštartujte ho. Uistite sa, že sa nôž nedostane do kontaktu so zemou alebo inými predmetmi.
- Pri obsluhu vždy stojte za výrobkom.
- Pri obsluhu výrobku dávajte pozor, aby všetky kolesá dosadali na zem a rukoväť držte oboma rukami. Udržievajte ruky a chodidlá mimo dosahu rotujúcich nožov.
- Keď je motor spustený, výrobok nenakláňajte.
- Pri ťahaní výrobku smerom dozadu buďte opatrní.
- Výrobok nikdy nedvíhajte, keď je spustený motor. Ak musíte výrobok zdvihnúť, najprv vypnite motor a odpojte kábel zapalovania od zapalovacej sviečky.
- Počas obsluhy výrobku necúvajte.
- Pri prechádzaní cez oblasti bez trávy, ako sú napr. štrkové, kamenné a asfaltové chodníky, vypnite motor.
- Keď je zapnutý motor, s výrobkom neutekajte. Počas obsluhy výrobku vždy kráčajte.
- Pred zmenou výšky rezu zastavte motor. Nikdy nevykonávajte nastavenia so spusteným motorom.
- Nikdy nenechávajte výrobok bez dozoru, keď je zapnutý motor. Zastavte motor a uistite sa, že sa rezné zariadenie neotáča.

Bezpečnostné pokyny pre prevádzku

Osobné ochranné prostriedky



VÝSTRAHA: Skôr než budete výrobok používať, prečítajte si nasledujúce výstrahy.

- Osobné ochranné prostriedky nedokážu úplne vylúčiť riziko, ale môžu znížiť vážnosť zranenia v prípade nehody. Váš predajca vám pomôže pri výbere správnych prostriedkov.
- Ak hladina hluku je vyššia ako 85 dB, používajte chrániče sluchu.
- Noste odolné protišmykové topánky. Výrobok neobsluhujte v otvorených topánkach ani s bosými nohami.
- Noste dlhé odolné nohavice.
- Keď je to potrebné, používajte ochranné rukavice, ako napríklad pri montáži, kontrole alebo čistení rezného zariadenia.

Bezpečnostné zariadenia na výrobu



VÝSTRAHA: Skôr než budete výrobok používať, prečítajte si nasledujúce výstrahy.

- Výrobok nepoužívajte s bezpečnostnými zariadeniami, ktoré sú poškodené alebo nefungujú správne.
- Pravidelne kontrolujte bezpečnostné zariadenia. Ak sú bezpečnostné zariadenia poškodené alebo nefungujú správne, obráťte sa na Husqvarna servisného zástupcu.
- Bezpečnostné zariadenia neupravujte.

Kontrola krytu rezacej časti

Kryt rezacej časti tlmi vibrácie vo výrobku a znižuje riziko poranenia kotúčom.

- Skontrolujte kryt rezacej časti, aby ste sa uistili, že na ňom nie sú žiadne známky poškodenia, ako sú napr. praskliny.

Batéria (LB 244E)



VÝSTRAHA: Poškodená batéria znižuje bezpečnosť výrobku. Vždy používajte batériu schválenú výrobcom.

Batéria poskytuje energiu pre elektrické naštartovanie a slúži ako bezpečnostné zariadenie, ktoré zabraňuje náhodnému naštartovaniu. Keď výrobok neobsluhujete a nechávate bez dozoru, vyberte batériu.

Kontrola rukoväte motorovej brzdy.

Rukoväť motorovej brzdy slúži na zastavenie motora. Keď rukoväť motorovej brzdy uvoľníte, motor sa zastaví.

- Naštartujte motor a potom uvoľníte rukoväť motorovej brzdy. Ak sa motor v priebehu 3 sekúnd nezastaví, požiadajte servisného zástupcu spoločnosti Husqvarna o nastavenie motorovej brzdy. (Obr. 19)

Tlmič výfuku

Tlmič výfuku slúži na udržovanie minimálnej hladiny hluku a na smerovanie výfukových plynov smerom od operátora.

Výrobok nepoužívajte, ak tlmič výfuku chýba alebo je poškodený. Poškodený tlmič výfuku zvyšuje hladinu hluku a nebezpečenstvo požiaru.



VÝSTRAHA: Tlmič výfuku je veľmi horúci počas prevádzky, po nej a tiež počas behu motora na voľnobeh. Zachovávajte opatrnosť v okolí horľavých materiálov alebo výparov, aby ste nespôsobili požiar.

Kontrola tlmiča výfuku

- Pravidelne kontrolujte, či je tlmič výfuku správne pripravený a či nie je poškodený.

Bezpečnosť paliva



VÝSTRAHA: Skôr než budete výrobok používať, prečítajte si nasledujúce výstrahy.

- Výrobok neštartujte, ak sú na ňom zvyšky paliva alebo motorového oleja. Odstráňte neželané palivo/olej a nechajte výrobok vyschnúť.
- Ak vylejete palivo na odev, okamžite sa prezlečte.
- Dávajte pozor, aby ste si palivo nevyliali na telo, pretože môže spôsobiť poranenie. Ak si palivo vylejete na telo, umyte sa pomocou mydla a vody.
- Výrobok neštartujte, ak sa na motore vyskytuje netesnosť. Pravidelne kontrolujte výskyt netesností na motore.
- Pri manipulácii s palivom buďte opatrní. Palivo je horľavá látka a výpary z paliva sú výbušné a môžu spôsobiť poranenia alebo smrť.
- Vyhňte sa vdychovaniu výparov paliva, pretože môžu spôsobiť poranenie. Zabezpečte dostatočné prúdenie vzduchu.
- V blízkosti paliva alebo motora nefajčite.
- Neukladajte do blízkosti paliva alebo motora teplé predmety.
- Nedopĺňajte palivo, keď je zapnutý motor.
- Pred dopĺňaním paliva sa uistite, že motor vychladol.
- Pred dopĺňaním paliva pomaly otvorte veko palivovej nádrže a opatrne uvoľnite tlak.
- Palivo do motora nedopĺňajte v interiéri. Nedostatočné prúdenie vzduchu môže spôsobiť poranenie alebo smrť v dôsledku udusenía alebo otravy oxidom uhoľnatým.
- Uzáver palivovej nádrže pevne utiahnite. Ak nie je veko palivovej nádrže pevne utiahnuté, existuje riziko vzniku požiaru.
- Pred spustením premiestnite výrobok minimálne 3 m od miesta, na ktorom ste dopĺňali palivo do nádrže.
- Palivovú nádrž nedopĺňajte úplne doplna. Teplo spôsobuje expanziu paliva. Uchovajte miesto navrchu palivovej nádrže.
- Výrobok nikdy neskladujte s benzínom v palivovej nádrži vo vnútri budovy, v ktorej sa môžu nachádzať zdroje vznietenia, ako napr. ohrievače teplej vody, vykurovacie telesá alebo sušičky bielizne. Pred uskladnením do akéhokoľvek uzavretého priestoru nechajte motor vychladnúť.

Bezpečnostné pokyny pre údržbu



VÝSTRAHA: Skôr než budete používať produkt, prečítajte si nasledujúce výstrahy.

- Výfukové plyny z motora obsahujú oxid uhoľnatý, plyn bez zápachu, ktorý je jedovatý a veľmi nebezpečný. Motor neštartujte v interiéri ani v uzavretých priestoroch.
- Pred vykonávaním údržby výrobku zastavte motor a odpojte kábel zapalovania od zapalovacej sviečky. V prípade modelu LB 244E taktiež vyberte batériu.
- Pri vykonávaní údržby rezného zariadenia používajte ochranné rukavice. Čepel je veľmi ostrá a ľahko môže dôjsť k porezaniu.
- Príslušenstvo a úprava výrobku, ktoré neschválil výrobca, môžu spôsobiť vážne poranenia alebo smrť. Výrobok neupravujte. Vždy používajte príslušenstvo schválené výrobcom.
- Nepravidelná a nesprávne vykonaná údržba zvyšuje nebezpečenstvo poranenia a poškodenia výrobku.
- Vykonávajúce len údržbu uvedenú v tomto návode na používanie. Všetky ostatné práce týkajúce sa údržby musí vykonávať schválený servisný zástupca spoločnosti Husqvarna.
- Výrobok nechajte pravidelne kontrolovať kvôli údržbe u schváleného servisného zástupcu spoločnosti Husqvarna.
- Vymeňte všetky poškodené, opotrebované alebo zlomené diely.

Montáž

Úvod



VÝSTRAHA: Pred zostavením výrobku si musíte prečítať kapitolu o bezpečnosti a porozumieť informáciám, ktoré sa v nej uvádzajú.



VÝSTRAHA: Pred zostavením výrobku od zapalovacej sviečky odpojte kábel zapalovacej sviečky.

Montáž rukoväti

1. Potiahnite rukoväť dozadu, kým sa nebude nachádzať v koncovej polohe. (Obr. 20)

2. Uťahnite gombíky na rukoväti. (Obr. 21)

Nastavenie výšky rukoväti

1. Uistite sa, že výškovo nastaviteľný záves je v drážke. Ak výškovo nastaviteľný záves nie je v drážke, nohou zatlačte výškovo nastaviteľný záves. (Obr. 22)
2. Výškovo nastaviteľný záves zatlačte nohou.
3. Rukoväť nastavte do správnej polohy a pusťte ju. (Obr. 23)

Prevádzka

Úvod



VÝSTRAHA: Pred používaním výrobku si musíte prečítať kapitolu o bezpečnosti a porozumieť informáciám, ktoré sa v nej uvádzajú.

Husqvarna Connect

Husqvarna Connect je bezplatná aplikácia pre mobilné zariadenia. Aplikácia Husqvarna Connect prináša rozšírené funkcie pre výrobok Husqvarna:

- Rozšírené informácie o výrobku.
- Informácie a podpora vzťahujúce sa na súčasti výrobku a servis.

Ak chcete začať, použite Husqvarna Connect

1. Stiahnite si aplikáciu Husqvarna Connect do mobilného zariadenia.
2. Zaregistrujte sa v aplikácii Husqvarna Connect.

3. Ak chcete pripojiť a zaregistrovať produkt, postupujte podľa pokynov v aplikácii Husqvarna Connect.

Pred obsluhou zariadenia

1. Pozorne si prečítajte tento návod na obsluhu a uistite sa, že ste porozumeli pokynom.
2. Skontrolujte reznú zariadenie a uistite sa, že je správne upevnené a nastavené. Pozrite si časť *Kontrola rezného zariadenia na strane 338*.
3. Skontrolujte stav oleja a v prípade potreby doplňte motorový olej. Pozrite si časť *Kontrola hladiny oleja na strane 339*.
4. Nalejte palivo do palivovej nádrže. Pozrite si časť *Doplňanie paliva na strane 335*.

Doplňanie paliva

Ak je to možné, použite benzín s nízkou emisnou triedou/alkylátové palivo. Ak benzín s nízkou emisnou triedou/alkylátové palivo nie sú dostupné, použite

kvalitný bezolovnatý benzín alebo olovnatý benzín s oktánovým číslom najmenej 91.



VAROVANIE: Nepoužívajte benzín s oktánovým číslom nižším ako 91 RON. Mohlo by to viesť k poškodeniu výrobu.



VAROVANIE: Vymieňajte palivový filter každý rok alebo častejšie, ak je to potrebné. Nový palivový filter je v ponuke u vášho predajcu Husqvarna.



VAROVANIE: Pred dopĺňaním paliva vždy zastavte motor.



VAROVANIE: Nepoužívajte stlačené štartovacie kvapaliny (napr. v spreji).

1. Pomalým otvorením veka palivovej nádrže uvoľníte tlak.
2. S použitím kanistra opatrne doplňte palivo. Ak sa palivo vyleje, pomocou handričky ho utrite a zvyšné palivo nechajte vyschnúť. (Obr. 24)
3. Vyčistíte priestor okolo veka palivovej nádrže.
4. Uzáver palivovej nádrže pevne utiahnite. Ak nie je veko palivovej nádrže pevne utiahnuté, existuje riziko vzniku požiaru.
5. Pred spustením premiestnite výrobok minimálne 3 m od miesta, na ktorom ste dopĺňali palivo do nádrže.

Nastavenie výrobu do prevádzkovej polohy

1. Zmontujte rukoväť. V časti *Montáž rukoväti na strane 335*.
2. Nastavte výšku rukoväti. V časti *Nastavenie výšky rukoväti na strane 335*.



VAROVANIE: Skontrolujte, či v kábloch nie je príliš veľké napnutie. Nadmerné napnutie kábla môže pri skladaní rukoväti do transportnej polohy poškodiť kábel.



VÝSTRAHA: Výrobok nepoužívajte, pokiaľ nie je rukoväť úplne vyklopená a nastavená do jednej z príslušných výškových polôh. V časti *Nastavenie výšky rukoväti na strane 335*.

Nastavenie výšky kosenia

Výška rezu sa dá nastaviť v šiestich rôznych krokoch.

1. Zastavte motor.
2. Ak chcete zvýšiť výšku rezu, posuňte páku výšky rezu smerom dozadu. (Obr. 25)
3. Ak chcete znížiť výšku rezu, posuňte páku výšky rezu smerom dopredu.



VAROVANIE: Nenastavujte výšku rezu príliš nízko. Ak nie je povrch trávnikára rovny, nože môžu narážať o zem.

Zapnutie výrobu

- Uistite sa, že je kábel zapalovania pripojený k zapalovacej sviečke.

Manuálne naštartovanie (LB 144)

1. Stojte za výrobkom.
2. Rukoväť motorovej brzdy držte pri hornej rukoväti. (Obr. 26)
3. Pevne uchopte rukoväť štartovacieho lanka pravou rukou.
4. Pomaly potiahnite štartovacie lanko, kým nepocítite istý odpor.
5. Silným potiahnutím naštartujte motor.



VÝSTRAHA: Štartovacie lanko si neovíjajte okolo ruky.

Elektrické štartovanie (LB 244E)

1. Uistite sa, že je batéria nabitá. V časti *Údržba batérie (LB 244E) na strane 340*.
2. Pripojte batériu k motoru. Akumulátor sa zaistí na mieste, keď sa ozve cvaknutie. (Obr. 27)
3. Postavte sa za produkt a podržte rukoväť motorovej brzdy (A) oproti hornej rukoväti. (Obr. 28)
4. Stlačte a na 3 – 5 sekúnd podržte stlačené tlačidlo elektrického štartovania (B). Motor sa spustí.

Poznámka: Ak sa motor nenašartuje, počkajte 1 minútu a potom produkt skúste naštartovať znova.

Vypnutie výrobu

- Ak chcete vypnúť motor, uvoľníte rukoväť motorovej brzdy.

Vybratie batérie (LB 244E)

Keď výrobok nepoužívate, vyberte batériu, aby ste zabránili náhodnému naštartovaniu motora.

- Stlačte tlačidlo zámku (A) a vytiahnite batériu. (Obr. 29)

Zabezpečenie optimálnych výsledkov

- Vždy používajte ostrý nôž. Tupý nôž poskytuje nepravidelné výsledky kosenia a pokosený povrch trávnik zozŕtne. Ostrý nôž spotrebuje menej energie ako tupý nôž.
- Nekoste viac ako 1/3 dĺžky trávy. Najprv koste s nastavenou vysokou výškou rezu. Skontrolujte výsledok a znížte výšku rezu na príslušnú úroveň. Ak je tráva veľmi vysoká, pohybuje sa pomaly a ak je to potrebné, pokoste ju dvakrát.

- Zakaždým koste iným smerom, aby ste predišli vzniku pruhov na trávniku.
- Udržiavajte kryt kosačky čistý. Nahromadenie trávy a nečistoty na vnútornej strane krytu kosačky môže viesť k horšiemu výsledku kosenia. Pozrite si časť *Čistenie vnútorného povrchu krytu rezacej časti na strane 338.*

Údržba

Úvod



VÝSTRAHA: Pred vykonávaním akejkoľvek údržby si musíte prečítať kapitolu o bezpečnosti a porozumieť jej.

Údržba a opravné práce na výrobku si vyžadujú špeciálne školenie. Zaručujeme dostupnosť profesionálnych opravných prác a údržby. Ak váš predajca nie je servisný zástupca, kontaktujte predajcu, ktorý vám poskytne informácie o najbližšom servisnom zástupcovi.

Podrobnejšie informácie nájdete na stránke www.husqvarna.com.

Plán údržby



VAROVANIE: Uistite sa, že vzduchový filter je na vrchnej strane

výrobku a nie smerom do zeme, keď výrobok nakloníte. Hrozí nebezpečenstvo poškodenia motora.



VAROVANIE: V prípade modelov s elektrickým štartovaním pred vykonávaním údržby, opravy alebo čistenia výrobku vždy vyberte batériu.

Intervaly údržby sú vypočítané na základe každodenného používania výrobku. Ak sa výrobok nepoužíva každý deň, tieto intervaly sa menia.

Informácie o prvkoch údržby označených symbolom * nájdete v pokynoch v časti *Bezpečnostné zariadenia na výrobku na strane 334.*

Údržba	Denne	Mesačne	Každú sezónu
Vykonajte všeobecnú kontrolu	X		
Skontrolujte hladinu oleja	X		
Vymeňte olej (prvýkrát po 5 hodinách používania, potom po každých 50 hodinách používania) ¹⁴⁸			X
Čistenie výrobku	X		
Vyčistite priestor okolo výškovo nastaviteľného závesu rukoväte	X		
Skontrolujte rezné zariadenie	X		
Skontrolujte kryt rezacej časti *	X		
Skontrolujte rukoväť motorovej brzdy *	X		
Skontrolujte tláčik výfuku *		X	

¹⁴⁸ Ak je produkt ťažko namáhaný alebo používaný pri vysokej teplote prostredia, motorový olej vymeňte každých 25 hodín.

Údržba	Denne	Mesačne	Každú sezónu
Skontrolujte zapaľovaciu sviečku. V prípade potreby zapaľovaciu sviečku vyčistite alebo vymeňte			X
Skontrolujte vzduchový filter	X		
Vyčistite vzduchový filter ¹⁴⁹		X	
Vymeňte vzduchový filter			X
Skontrolujte palivový systém			X
Vyčistite chladiace rebrá valca		X	

Vykonanie všeobecnej kontroly

- Uistite sa, že sú dotiahnuté všetky matice aj skrutky na výrobku.

Čistenie externých povrchov výrobku

- Pomocou kefy odstráňte listy, trávu a nečistoty.
- Uistite sa, že nie je zablokované nasávanie vzduchu vo vrchnej časti motora.
- Na čistenie výrobku nepoužívajte vysokotlakový čistič.
- Ak na čistenie výrobku použijete vodu, nelejte vodu priamo na motor.

Vyčistenie priestoru okolo výškovo nastaviteľného závesu rukoväte

- Pomocou kefy odstráňte listy, trávu a nečistoty. (Obr. 30)

Čistenie vnútorného povrchu krytu rezacej časti

- Vyprázdňte palivovú nádrž.
- Nakloňte výrobok. Ubezpečte sa, že zapaľovacia sviečka je orientovaná hrotom nahor.



VAROVANIE: Ak výrobok položíte tak, že vzduchový filter bude smerovať nadol, môže dôjsť k poškodeniu motora.

- Pomocou hadice vystriekajte vnútorné povrchy krytu rezacej časti.

Kontrola rezného zariadenia



VÝSTRAHA: Aby ste zabránili náhodnému naštartovaniu, odpojte kábel zapaľovania od zapaľovacej sviečky.



VÝSTRAHA: Pri vykonávaní údržby rezného zariadenia používajte ochranné rukavice. Čepel je veľmi ostrá a ľahko môže dôjsť k porezaniu.

- Skontrolujte, či sa na reznom zariadení nenachádzajú známky poškodenia alebo praskliny. Poškodené rezné zariadenie vždy vymeňte.
- Skontrolujte, či nie je poškodený alebo tupý nôž.

Poznámka: Po nabrúsení je potrebné nôž vyrovnať. Nôž nechajte nabrúsiť, vymeniť a vyrovnať v servisnom stredisku. Ak narazíte na predmet, ktorý spôsobí zastavenie výrobku, vymeňte poškodený nôž. Nechajte, aby servisné stredisko rozhodlo, či je možné nôž nabrúsiť alebo sa musí vymeniť.

Výmena noža

- Pomocou dreveného bloku zaistíte nôž. (Obr. 31)
- Odmontujte skrutku noža a vyberte perovú podložku.
- Odstráňte nôž.
- Skontrolujte držiak noža a skrutku noža kvôli známkam poškodenia.
- Skontrolujte hriadeľ motora a uistite sa, že nie je ohnutý.
- Pri upevňovaní nového noža nasmerujte zošíkmené konce noža v smere krytu rezacej časti. (Obr. 32)
- Uistite sa, že je nôž zarovnaný so stredom hriadeľa motora.
- Pomocou dreveného bloku zaistíte nôž. Pripevnite perovú podložku a utiahnite skrutku a podložku momentom 44-46 Nm. (Obr. 33)
- Rukou potočte nožom a uistite sa, že sa voľne otáča.



VÝSTRAHA: Používajte odolné rukavice. Nôž je veľmi ostrý a ľahko môže dôjsť k porezaniu.

¹⁴⁹ Filter čistite častejšie, ak sa vo vzduchu nachádza veľa prachových alebo iných častíc. Ak je filter veľmi špinavý, vymeňte ho.

10. Zapnite výrobok a otestujte nôž. Ak nôž nie je správne upevnený, výrobok vibruje alebo poskytuje neuspokojivé výsledky kosenia.

Kontrola hladiny oleja



VAROVANIE: Príliš nízka hladina oleja môže viesť k poškodeniu motora. Pred zapnutím výrobku skontrolujte hladinu oleja.

1. Položte výrobok na rovný povrch.
2. Vyberte uzáver nádrže na olej s olejovou mierkou.
3. Očistite olej z olejovej mierky.
4. Zatláčte olejovú mierku celú do nádrže na olej.
 - a) Na modeloch LB 144 nepripevňujte uzáver nádrže na olej.
 - b) Uzáver nádrže na olej pripevnite na modeloch LB 244E.
5. Odstráňte uzáver nádrže na olej a olejovú mierku.
6. Skontrolujte hladinu oleja na pripojenej olejovej mierke.
7. V prípade príliš nízkej hladiny doplňte motorový olej a opätovne skontrolujte hladinu oleja. (Obr. 34)

Poznámka: Použite lievik, aby ste zabránili úniku oleja.

8. Ak je hladina oleja správna, nasadte uzáver nádrže na olej.

Výmena motorového oleja



VÝSTRAHA: Bezprostredne po vypnutí motora je motorový olej veľmi horúci. Nechajte motor vychladnúť pred vypustením oleja. Ak sa motorový olej dostane na pokožku, očistite ju mydlom a vodou.

(Obr. 35)

1. Výrobok používajte, kým nebude palivová nádrž prázdna.
2. Vytiahnite kábel zapaľovania zo zapaľovacej sviečky.
3. Vyberte uzáver nádrže na olej s olejovou mierkou.
4. Položte pod výrobok nádobu na zachytenie motorového oleja.
5. Výrobok nakloňte alebo vyčerpajte motorový olej z nádrže na olej s pomocou olejového čerpadla (príslušenstvo).
6. Nalejte do nádrže nový motorový olej, pričom sa riadte odporúčaniami v kapitole *Technické údaje* na strane 343.
7. Skontrolujte hladinu oleja. Pozrite si časť *Kontrola hladiny oleja* na strane 339.
8. Ak je hladina oleja správna, nasadte uzáver nádrže na olej.

Vzduchový filter

Znečistený vzduchový filter môže spôsobiť poškodenie alebo nesprávnu prevádzku motora. V prašných podmienkach vykonávajte údržbu vzduchového filtra častejšie. V časti *Plán údržby na strane 337* pre informácie o tom, kedy sa vymieňa vzduchový filter.

Poznámka: Poškodený vzduchový filter vždy vymeňte.

Demontáž a montáž vzduchového filtra (LB 244E)



VÝSTRAHA: Používajte ochranné rukavice.

1. Stlačte svorky na kryte vzduchového filtra.
2. Opatrne vyberte kryt vzduchového filtra (A) z motora.
3. Vyberte vzduchový filter (B). (Obr. 36)
4. Skontrolujte, či vzduchový filter nie je poškodený. Poškodený vzduchový filter vymeňte.
5. Čistenie a kontrola vzduchového filtra Pozrite si časť *Čistenie vzduchového filtra (LB 244E) na strane 339*.
6. Pri montáži postupujte v opačnom poradí.

Čistenie vzduchového filtra (LB 244E)

Znečistený vzduchový filter môže spôsobiť poškodenie alebo nesprávnu prevádzku motora. V prašných podmienkach vykonávajte údržbu vzduchového filtra častejšie.

V časti *Plán údržby na strane 337* pre informácie o tom, kedy sa vymieňa vzduchový filter.

1. Odstráňte kryt vzduchového filtra a vzduchový filter.
2. Filter sa čistí údermi o rovnú plochu. Na čistenie filtra nepoužívajte riedidlo obsahujúce naftu alebo petrolej a filter nečistite stlačeným vzduchom.

Poznámka: Dlhodobou používaním vzduchové filtre sa nedajú úplne vyčistiť. Vzduchový filter pravidelne vymieňajte. Poškodené vzduchové filtre sa musia vždy vymeniť.

3. Pri montáži sa vzduchový filter musí pevne utesniť na držiaku filtra.

Čistenie penového plastového filtra (LB 144)



VAROVANIE: Bez vzduchových filtrov neštartujte motor. Ak je vzduch znečistený, zvyšuje sa opotrebenie motora.

1. Demontujte kryt vzduchového filtra (A). (Obr. 37)
2. Odstráňte penové plastové filtre (B).



VAROVANIE: Skontrolujte, či nie sú penové plastové filtre poškodené alebo opotrebované. Vymeňte všetky poškodené penové plastové filtre.

3. Vyčistite penové plastové filtre pomocou mydla a vody.
4. Opláchnite penové plastové filtre čistou vodou.
5. Vytlačte z penových plastových filtrov vodu a nechajte ich vysušiť.



VAROVANIE: Nepoužívajte stlačený vzduch. Môže spôsobiť poškodenie penového plastového filtra.

6. Namažte penové plastové filtre motorovým olejom.
7. Neželaný olej odstráňte pritlačení čistej handričky na penový plastový filter.
8. Namontujte penové plastové filtre. Uistite sa, že penové plastové filtre pevne dosadajú na držiak vzduchového filtra.
9. Nasadte kryt vzduchového filtra.

Údržba batérie (LB 244E)

Batéria nevyžaduje údržbu. V prípade potreby zverte servis batérie iba schválenému servisnému stredisku.

Pri prvom použití batérie (LB 244E)



VAROVANIE: Nedovoľte, aby sa batéria úplne vybila. Ak sa batéria úplne vybije, môže sa poškodiť.

Pred prvou prevádzkou je potrebné batériu nabiť.

1. Pripojte nabíjačku batérie k batérii podľa pokynov v časti *Nabíjanie batérie (LB 244E) na strane 340*.
2. Počkajte, kým sa rozsvieti minimálne 1 zelená LED kontrolka.
3. Pripojte batériu k motoru podľa pokynov v časti *Elektrické štartovanie (LB 244E) na strane 336*.

Nabíjanie batérie (LB 244E)

Ak svieti na batérii len jedna alebo žiadna kontrolka, batériu musíte nabiť. Nabitie úplne vybitej batérie trvá 2 hodiny. Kratšie doby nabíjania nespôsobujú poškodenie batérie.

1. Pripojte nabíjačku batérie k batérii. (Obr. 38)
2. Pripojte nabíjačku batérie k sieťovej zásuvke, 100 – 240 V, 50 – 60 Hz.
3. Najprv vyberte nabíjačku zo sieťovej zásuvky a následne vyberte nabíjačku z batérie.

Štáv nabíjania batérie

Zobrazenie indikátorov LED na batérii	Štáv
Indikátor LED 1 bliká načerveno.	1 % – 9 %
Indikátor LED 1 neprerušovane svieti načerveno.	10 % – 32 %
Indikátor LED 1 je zelený a indikátor LED 2 je červený.	33 % – 54 %
Indikátory LED 1 a 2 sú zelené a indikátor LED 3 je červený.	55 % – 77 %
Indikátory LED 1, 2 a 3 sú zelené a indikátor LED 4 je červený.	78 % – 100 %

Kontrolka na nabíjačke batérie	Štáv
Neprerušované červené svetlo	Batéria sa nabíja.
Neprerušované zelené svetlo	Batéria je úplne nabitá.

Kontrola zapalovacej sviečky



VAROVANIE: Vždy používajte odporúčaný typ zapalovacej sviečky. Nesprávny typ zapalovacej sviečky môže spôsobiť poškodenie výrobku.

- Ak má motor slabý výkon, ťažko sa štartuje alebo pri voľnobežných otáčkach nefunguje správne, skontrolujte zapalovaciu sviečku.
- Ak chcete znížiť riziko prítomnosti neželaného materiálu na elektródach zapalovacej sviečky, postupujte takto:
 - a) Uistite sa, že voľnobežné otáčky sú správne nastavené.
 - b) Uistite sa, že používate správnu zmes paliva.
 - c) Uistite sa, že je čistý vzduchový filter.
- Ak je zapalovacia sviečka znečistená, očistite ju a skontrolujte, či je medzera medzi elektródami správna. Pozrite si časť *Technické údaje na strane 343*. (Obr. 39)
- V prípade potreby vymeňte zapalovaciu sviečku.

Kontrola palivového systému

- Skontrolujte veko palivovej nádrže a tesnenie veka palivovej nádrže a uistite sa, že nie sú poškodené.
- Skontrolujte palivovú hadicu a uistite sa, že z nej nevyteká palivo. Ak je palivová hadica poškodená, nechajte servisného zástupcu, aby ju vymenil.

Vyprázdnenie palivovej nádrže

1. Pod palivovú nádrž položte nádobu.
2. Zložte uzáver palivovej nádrže.
3. Stlačte hadicové svorky na palivovej nádrži pri karburátore.
4. Odpojte palivovú hadicu od karburátora.
5. Hadicu palivovej nádrže vložte do nádoby a odstráňte hadicové svorky.
6. Nakloňte výrobok a nechajte palivo vytečť do nádoby.
1. Vyprázdňte palivovú nádrž.
2. Odsuňte hadicové úchytky od palivovej nádrže. (Obr. 40)
3. Odstráňte palivovú hadicu z palivovej nádrže. Môže dôjsť k úniku malého množstva paliva. (Obr. 41)
4. Odstráňte palivový filter z palivovej nádrže. (Obr. 42)
5. Namontujte nový palivový filter do palivovej nádrže.
6. Pripevnite palivovú hadicu k palivovej nádrži.
7. Hadicovú sponu umiestnite na správne miesto oproti palivovej nádrži.

Výmena palivového filtra



VÝSTRAHA: Používajte ochranné rukavice.

Riešenie problémov s motorom

Problém	Možná príčina	Riešenie
Motor neštartuje.	Kábel zapaľovania nie je správne pripojený.	Pripojte kábel zapaľovania k zapaľovacej sviečke.
	Palivová nádrž je prázdna.	Palivovú nádrž naplňte správnym typom paliva.
	Palivo je staré.	Vyprázdňte palivovú nádrž a karburátor. Znova naplňte novým benzínom.
	V karburátore alebo palivovom potrubí sa nachádzajú nečistoty.	Vyčistite karburátor a/alebo palivové potrubie.
	Zapaľovacia sviečka je poškodená.	Nastavte medzeru medzi elektródami, vyčistite alebo vymeňte zapaľovaciu sviečku.
	Na zapaľovacej sviečke sa nachádza palivo.	Vyčistite zapaľovaciu sviečku.
Motor sa nezastavuje.	Mechanizmus zastavenia nefunguje správne.	Odpojte kábel zapaľovania od zapaľovacej sviečky. Opravu produktu zverte schválenému servisnému zástupcovi.

Problém	Možná příčina	Riešenie
Motor nebeží plynule.	Kábel zapaľovania nie je správne pripojený.	Pripojte kábel zapaľovania k zapaľovacej sviečke.
	V palivovom potrubí sú nečistoty alebo vypršala životnosť paliva.	Vyčistíte palivové potrubie. Palivovú nádrž naplňte novým palivom správneho typu.
	Uzáver palivovej nádrže je zablokovaný.	Vyčistíte uzáver palivovej nádrže.
	V palivovom systéme sa nachádza voda alebo nečistoty.	Vyprázdnete palivovú nádrž. Palivovú nádrž naplňte novým palivom správneho typu.
	Vzduchový filter je špinavý.	Vyčistíte vzduchový filter.
	Je nutné nastaviť karburátor.	O nastavenie karburátora požiadajte servisného zástupcu.
Motor sa príliš prehrieva.	Hladina motorového oleja je príliš nízka.	Doplňte motorový olej.
	Prietok vzduchu je nedostatočný.	Očistíte vzduchový filter a telo vzduchového filtra.
	Je nutné nastaviť karburátor.	O nastavenie karburátora požiadajte servisného zástupcu.
Keď motor pracuje pri vysokých otáčkach, vynecháva sa v ňom zážih.	Medzera medzi elektródami v zapaľovacej sviečke je príliš malá.	Nastavte medzeru medzi elektródami.
Motor vydáva nezvyčajné zvuky počas bežnej prevádzky.	Nesprávny typ benzínu.	Vyprázdnete palivovú nádrž a karburátor. Znova naplňte novým benzínom. V časti <i>Kontrola palivového systému na strane 340</i> . Ak problém pretrváva, obráťte sa na svojho regionálneho servisného zástupcu.
Motor nebeží plynule pri voľnobežných otáčkach.	Zapaľovacia sviečka je špinavá alebo poškodená, prípadne je medzera medzi elektródami príliš široká.	Nastavte medzeru medzi elektródami alebo vymeňte zapaľovaciu sviečku.
	Je nutné nastaviť karburátor.	Nastavte karburátor.
	Vzduchový filter je špinavý.	Vyčistíte vzduchový filter.

Preprava, skladovanie a likvidácia

Preprava a uskladnenie

- Pri uskladňovaní a preprave výrobku a paliva sa uistite, že nedochádza k úniku kvapaliny a výparov. Iskry alebo otvorené plamene, napr. z elektrických zariadení alebo bojlerov, môžu vyvolať požiar.
- Na uskladnenie a prepravu paliva vždy používajte schválené kanistre.
- Pred uskladnením výrobku na dlhšiu dobu vyprázdňte palivovú nádrž. Palivo zlikvidujte v príslušnom zariadení na likvidáciu.

- Počas prepravy výrobok bezpečne upevnite, aby ste zabránili poškodeniu alebo nehodám.
- Výrobok skladujte v uzamknutom priestore mimo dosahu detí a neoprávnených osôb.
- Výrobok skladujte na suchom mieste, ktoré je chránené pred mrazom.

Nastavenie výrobku do transportnej polohy

1. Uvoľnite gombíky na rukoväti. (Obr. 43)

2. Sklopte rukoväť dopredu, kým sa nebude nachádzať v koncovej polohe. (Obr. 44)

Preprava a skladovanie batérie a nabíjačky

- Batériu môžete vybrať, až keď sa výrobok nehybe a vychladol. Ak chcete vybrať batériu, stlačte a podržte tlačidlo v hornej časti batérie, čím ju vyberiete z priehradky.
- Ak čas skladovania prevyšuje 30 dní, batériu nabite dovtedy, kým sa nerozsvietia najmenej 3 zelené kontrolky.
- Raz za 3 mesiace nabite batériu, aby sa nepoškodila.
- Batériu a nabíjačku na batériu je potrebné uchovávať pri teplotách 5 °C a 40 °C. Vyššie teploty alebo zdroje vyžarujúce vysokú teplotu, ako napríklad oheň, môžu batériu poškodiť.
- Batériu nedemontujte.
- Batériu neponárajte plne do vody. Batériu skladujte na suchom, chladnom mieste s dobrým vetraním.

- Ak batéria zapácha, je horúca alebo teplo spôsobuje jej deformáciu počas prevádzky, skladovania alebo nabíjania, batériu vyberte a nepoužívajte ju.
- Uistite sa, že je batéria alebo nabíjačka batérie počas prepravy pripojená, aby sa nepoškodila.
- Dbajte na to, aby sa nabíjačka neprehrievala.

Likvidácia

- Dodržiavajte miestne požiadavky v oblasti recyklácie a platné predpisy.
- Všetky chemikálie, ako napr. motorový olej alebo nemrznúcu zmes, zlikvidujte v servisnom stredisku alebo v príslušnom zariadení na likvidáciu.
- Keď už výrobok nepoužívate, pošlite ho predajcovi spoločnosti Husqvarna alebo ho zlikvidujte v recyklačnom zariadení.
- Batériu zlikvidujte v servisnom stredisku alebo ju zlikvidujte v zariadení na likvidáciu starých batérií.

Technické údaje

Technické údaje

	LB 144	LB 244E
Motor		
Značka	Husqvarna	Husqvarna
Model	HS 123 A	HS 139AE
Typ motora	Jednovalcový, 4-taktný, chladenie s núteným obehom vzduchu, OHV	Jednovalcový, 4-taktný, chladenie s núteným obehom vzduchu, OHV
Objem, cm ³	123	139
Otáčky motora – menovité, ot./min.	3000/min	2900/min
Menovitý výkon motora, kW ¹⁵⁰	1,95	2,2
Systém zapalovania		
Zapaľovacia sviečka	Husqvarna HQT-7	Husqvarna HQT-7
Vzdialenosť elektród, mm	0,7 – 0,8	0,7 – 0,8
Systém paliva a mazania		
Typ mazania motora	Rozstrekaním oleja	Rozstrekaním oleja
Objem palivovej nádrže, l	0,9	0,9

¹⁵⁰ Vyznačený výkon motora je priemerný čistý výkon (pri uvedených ot./min) typického sériového motora pre model motora meraný podľa normy SAE J1349/ISO 1585. Sériovo vyrábané motory sa môžu od tejto hodnoty odlišovať. Skutočný výkon motora nainštalovaného na koncovom výrobku závisí od prevádzkovej rýchlosti, podmienok okolitého prostredia a iných hodnôt.

	LB 144	LB 244E
Objem nádrže na olej, l	0,5	0,5
Motorový olej ¹⁵¹	Husqvarna SAE 30, Husqvarna SAE 5W-30 Synthetic, Husqvarna SAE 10W-40	Husqvarna SAE 30, Husqvarna SAE 5W-30 Synthetic, Husqvarna SAE 10W-40
Hmotnosť		
S prázdnyimi nádržami, kg	22	23,5
Emisie hluku ¹⁵²		
Nameraná hladina akustického výkonu, dB (A)	91	92
Zaručená úroveň hlučnosti L _{WA} dB(A)	94	94
Úroveň hlučnosti ¹⁵³		
Hladina akustického tlaku pri uchu obsluhy, dB (A)	79	80
Úrovne vibrácií ¹⁵⁴		
Vibrácie hornej rukoväti, m/s ²	7,6	6,0
Rezné zariadenie		
Výška rezu, mm	25 – 75	25 – 75
Šírka rezu, mm	440	440
Kosiaci systém	Bioclip®	Bioclip®
Čepeľ – štandardná	Mulčovanie 5464584-10	Mulčovanie 5464584-10
Štartovací systém		
Elektrický štartér	Nie	Áno
Akumulátor	-	Lítium-iónový, 10,8 V, 21,6 Wh

¹⁵¹ Používajte motorový olej kvality API SJ alebo vyššej. Ak sa motorový olej SAE-30 používa pri teplote nižšej ako +5 °C, existuje riziko, že motor nebude dostatočne mazaný. Môže tak dôjsť k poškodeniu motora. Informácie o vhodnom oleji použiteľnom pri nízkych teplotách nájdete v kapitole *Výmena motorového oleja na strane 339*. Pozrite si tabuľku s viskozitou v príručke k motoru (ak je súčasťou balenia) a vyberte najvhodnejšiu viskozitu na základe očakávanej vonkajšej teploty.

¹⁵² Hladina hluku meraná ako akustický tlak (L_{WA}) v súlade s európskou smernicou 2000/14/ES.

¹⁵³ Uvádzané údaje pre hladinu akustického tlaku majú typický štatistický rozptyl (štandardnú odchýlku) 1,2 dB (A).

¹⁵⁴ Uvádzané údaje pre ekvivalentný stupeň vibrácií majú typický štatistický rozptyl (štandardnú odchýlku) 0,2 m/s².

Vyhlásenie o zhode

Vyhlásenie o zhode EÚ

My, spoločnosť **Husqvarna AB**, SE-561 82 Huskvarna, Švédsko, tel.: +46-36-146500, vyhlasujeme s plnou zodpovednosťou, že výrobok:

Popis	Kosačka na trávu
Značka	Husqvarna
Typ/model	LB 144, LB 244E
Identifikácia	Výrobné čísla od roku 2023 a novšie

plne spĺňa nasledujúce smernice a nariadenia EÚ:

Nariadenie	Popis
2006/42/ES	„o strojových zariadeniach“
2014/30/EÚ	„o elektromagnetickej kompatibilite“
2000/14/ES	„týkajúca sa emisie hluku v prostredí pochádzajúceho zo zariadení používaných vo voľnom priestranstve“
2011/65/EÚ	„o obmedzení používania určitých nebezpečných látok v elektrických a elektronických zariadeniach“

a že sa pri ňom uplatňujú nasledujúce normy a technické špecifikácie: EN ISO 5395-1:2013+A1:2018, EN ISO 5395-2:2013+A1:2016+A2:2017, EN IEC 63000:2018, EN ISO 14982:2009

Notifikovaný orgán: 0404, SMP Svensk Maskinprovning AB, Box 4053, SE-904 03 Umeå, Sweden osvedčil zhodu so smernicou Rady 2000/14/ES, posudzovanie zhody: príloha VI.

Informácie týkajúce sa emisii hluku nájdete v časti *Technické údaje na strane 343*.

Huskvarna, 2023-09-18



Claes Losdal, Manažér vývoja/Produkty pre záhradu
Husqvarna AB

Zodpovedný za technickú dokumentáciu



VSEBINA

Uvod.....	346	Odpravljanje težav z motorjem.....	355
Varnost.....	347	Transport skladiščenje in odstranitve.....	356
Montaža.....	350	Tehnični podatki.....	357
Delovanje.....	350	Izjava o skladnosti.....	359
Vzdrževanje.....	351		

Uvod

Opis izdelka

Izdelek je rotacijska kosilnica, ki z enoto BioClip travo nareže v gnojilo.

Pregled izdelka

(Sl. 1)

1. Ročica zavore motorja
2. Ročica/ročaj
3. Ročica zaganjalne vrvice (LB 144)
4. Ročica za nastavitve višine košnje
5. Pokrovček posode za olje in merilna palica
6. Dušilec
7. Svečka
8. Dvižna ročica
9. Ročica za nastavitve višine krmilnega ročaja
10. Pokrovček rezervoarja za gorivo
11. Zračni filter
12. Pokrov rezila
13. Rezilo
14. Vzmetna podložka
15. Vijak rezila
16. Baterija, varnostna naprava (LB 244E)
17. Električni zagonski gumb (LB 244E)
18. Navodila za uporabo

Simboli na izdelku

- (Sl. 2) **OPOZORILO!** Bodite previdni in uporabljajte izdelek pravilno. Ta izdelek lahko povzroči hude poškodbe oziroma smrt upravljavca ali drugih.
- (Sl. 3) Pred uporabo izdelka natančno preberite navodila za uporabo in se prepričajte, da ste jih razumeli.
- (Sl. 4) Pazite na leteče in odbite predmete.
- (Sl. 5) Poskrbite, da so osebe in živali na varni razdalji od delovnega območja.
- (Sl. 6) Opozorilo: Roke in noge držite stran od vrtljivega rezila.

Namen uporabe

Izdelek uporabite za rezanje trave. Izdelka ne uporabljajte za druga opravila.

- (Sl. 7) Opozorilo: Z rokami in nogami ne segajte v območje premikanja vrtljivih delov.
- (Sl. 8) Izklopite motor in odstranite vžigalni kabel, šele nato opravite popravila ali vzdrževalna dela.
- (Sl. 9) Izdelek je v skladu z veljavnimi predpisi CE.
- (Sl. 10) Emisija hrupa v okolje je skladna z direktivami in uredbami EU, ZK ter zakonodaja Novega južnega Walesa, in sicer z direktivo "Zaščita okolja pri delu (nadzor hrupa) iz 2017". Zajamčena raven zvočne moči izdelka, kot je določeno v *Tehnični podatki na strani 357* in na nalepki.
- (Sl. 11) Izdelek je v skladu z veljavnimi direktivami ZK.
- (Sl. 12) Nevarnost požara.
- (Sl. 13) Ne vdihujte izpušnih plinov. Izpušni plini vsebujejo ogljikov monoksid iz motorja, ki je brezbarven, strupen in zelo nevaren plin. Motorja ne vklopite v zaprtih prostorih.
- (Sl. 14) Vroča površina.
- (Sl. 16) Pred uporabo izdelka dolijte motorno olje.
- (Sl. 17) Začnite postopek za LB 144: Ročico zavore motorja potisnite navzdol in povlecite zaganjalno ročico.

(Sl. 18) Začnite postopek za LB 244E: Ročico zavore motorja potisnite navzdol in pritisnite gumb za zagon.

(Sl. 15) Bralna koda.

Opomba: Ostali znaki in oznake na izdelku se nanašajo na zahteve za certifikacijo, ki veljajo za druga komercialna območja.

Škoda izdelka

Za škodo na izdelku ne odgovarjamo, če:

- Izdelek ni pravilno popravljen.
- Izdelek je popravljen z deli, ki jih ni izdelal ali odobril proizvajalec.
- Na izdelku je nameščena dodatna oprema, ki je ni izdelal ali odobril proizvajalec.
- Izdelek ni bil popravljen v pooblaščenem servisnem centru ali pri pooblaščenem organu.

Stopnja emisij Euro V



OPOZORILO: Zaradi predelave motorja se razveljavi EU-homologacija tega izdelka.

Varnost

Varnostne definicije

Opozorila, svarila in opombe opozarjajo na posebej pomembne dele priročnika.



OPOZORILO: Se uporabi, če obstaja nevarnost telesne poškodbe ali smrti uporabnika ali opazovalcev ob neupoštevanju navodil v tem priročniku.



POZOR: Se uporabi, če obstaja nevarnost poškodbe izdelka, drugih materialov ali okolja ob neupoštevanju navodil v tem priročniku.

Opomba: Se uporabi za podajanje podrobnejših informacij, potrebnih v dani situaciji.

Splošna varnostna navodila



OPOZORILO: Pred uporabo izdelka preberite navodila v povezavi z opozorili v nadaljevanju.

- Ta izdelek je lahko nevaren, če ga ne uporabljate pravilno ali če niste previdni. Če ne upoštevate varnostnih navodil, lahko nastopijo poškodbe ali celo smrt.
- Izdelek med delovanjem ustvarja elektromagnetno polje. To polje lahko v nekaterih pogojih interferira z aktivnimi ali pasivnimi medicinskimi vsadki. Emisije hrupa za oznako okolja v skladu z EU (vključno z zakonodajo avstralske zvezne države New South Wales) ter direktivami in uredbami Združenega kraljestva.
- Vedno bodite previdni in ravnajte razumno. Če niste prepričani, kako upravljati ta izdelek v določeni situaciji, prenehajte z delom in se pogovorite s prodajalcem Husqvarna.

- Ne pozabite, da je uporabnik odgovoren za nesreče, ki jih povzročijo drugim ljudem ali njihovi lastnini.
- Izdelek redno čistite. Pozorno preberite znake in nalepke.
- Ne dovolite osebi, ki ni prebrala in ne razume vsebine navodil za uporabo, da upravlja ta izdelek.
- Izdelka ne smejo uporabljati otroci.
- Otroci naj ostanejo zunaj delovnega območja. Vedno mora biti prisotna odgovorna odrasla oseba.
- Izdelka ne smejo uporabljati osebe, ki ne poznajo navodil za uporabo.
- Če izdelek uporabljajo osebe z zmanjšanimi fizičnimi ali intelektualnimi sposobnostmi, jih nenehno nadzorujte. Vedno mora biti prisotna odgovorna odrasla oseba.
- Izdelka ne uporabljajte, ko ste utrujeni, bolni, ali pod vplivom alkohola, drog ali zdravil. To negativno vpliva na vaš vid, pozornost, koordinacijo in presojo.
- Ne uporabljajte izdelkov, ki so poškodovani ali ne delujejo pravilno.
- Izdelka ne spreminjajte ali uporabljajte, če obstaja možnost, da so ga spremenile tretje osebe.
- Ne spreminjajte nastavitve števila vrtljajev motorja.

Varnost delovnega področja



OPOZORILO: Pred uporabo izdelka preberite navodila v povezavi z opozorili v nadaljevanju.

- Z delovnega območja pred začetkom dela odstranite predmete, kot so veje, vejice in kamni.
- Predmeti, ki pridejo v kontakt z rezalno opremo, lahko odletijo in poškodujejo osebe in ostale predmete. Opazovalci in živali naj bodo na varni razdalji od izdelka.
- Izdelka nikoli ne uporabljajte v slabem vremenu, kot je megla, dež, močan veter, izreden mraz ter nevarnost strele. Če izdelek uporabljate v slabem vremenu ali v vlažnih ali mokrih okolišjih, vas bo

to utrudilo. Slabo vreme lahko povzroči nevarne pogoje, kot je spolzka podlaga.

- Bodite pozorni na osebe, predmete in situacije, ki lahko preprečijo varno obratovanje izdelka.
- Bodite pozorni na ovire, kot so korenine, kamni, veje, jame in jarki. Visoka trava lahko prekriva ovire.
- Košnja trave na pobočju je lahko nevarna. Izdelka ne uporabljajte na pobočjih z naklonom, večjim od 15°.
- Izdelek uporabljajte prečno na pobočje. Ne premikajte se navzgor in navzdol.
- Bodite previdni, kadar se približujete kotom in predmetom, ki omejujejo pogled.

Varnost pri delu



OPOZORILO: Pred uporabo izdelka preberite navodila v povezavi z opozorili v nadaljevanju.

- Ta izdelek uporabljajte izključno za košnjo trave. Ne uporabljajte ga za druga opravila.
- Uporabljajte osebno zaščitno opremo. Glejte *Osebna zaščitna oprema na strani 348*.
- V zasilenem primeru morate znati motor hitro izklopiti.
- Motorja nikoli ne vklopite v zaprtem prostoru ali v bližini vnetljivega materiala. Izpušni plini iz motorja so vroči in lahko vsebujejo iskre, ki lahko povzročijo požar.
- Izdelka ne uporabljajte, če rezilo in vsi pokrovi niso nameščeni pravilno. Nepravilno nameščeno rezilo lahko odleti in povzroči poškodbe.
- Pazite, da rezilo ne udarja ob predmete, npr. kamenje in korenine. To lahko poškoduje rezilo in ukrivi motorno gred. Zvita os povzroča vibracije in zelo visoko tveganje, da rezilo odleti.
- Če rezilo trči ob predmet ali začitute vibracije, izdelek nemudoma izklopite. S svečke odstranite vžigalni kabel. Preglejte, ali je izdelek morda poškodovan. Poškodbe popravite ali pa popravilo prepustite pooblaščenemu serviserju.
- Ročico zavore motorja nikoli ne pritrdite trajno na ročaj, ko je motor obratuje.
- Izdelek vklopite na stabilni in ravni podlagi. Prepričajte se, da rezilo ne trči ob tla ali druge predmete.
- Vedno bodite za izdelkom, ko ga upravljate.
- Ko upravljate izdelek, morajo biti vsa kolesa na tleh, prav tako pa imejte na ročaju obe roki. Roke in noge držite stran od vrtljivih rezil.
- Pri delujočem motorju izdelka nikoli ne nagibajte.
- Ko izdelek potegneta nazaj, bodite previdni.
- Izdelka ne dvigajte, ko motor deluje. Če morate izdelek dvigniti, motor izklopite in s svečke odstranite vžigalni kabel.
- Med uporabo izdelka ne hodite vzvratno.
- Izklopite motor, ko se premikate prek področij brez trave, npr. poti iz gramoza, kamna in asfalta.

- Pri delujočem motorju ne tecite z izdelkom. Pri uporabi tega izdelka vedno hodite.
- Preden spreminjate višino reza, ustavite motor. Ne izvajajte prilagoditev, ko motor deluje.
- Ko je motor vklopljen, imejte izdelek vedno v pogledu. Motor izklopite in se prepričajte, da se rezalna oprema ne vrti.

Varnostna navodila za uporabo

Osebna zaščitna oprema



OPOZORILO: Pred uporabo izdelka preberite navodila v povezavi z opozorili v nadaljevanju.

- Osebna zaščitna oprema ne more popolnoma preprečiti poškodb, vendar v primeru nesreče omili posledice. Prodajalec naj vam pomaga izbrati ustrezno opremo.
- Če je moč hrupa višja od 85 dB, uporabljajte zaščitno opremo za sluh.
- Uporabite trpežne obutev, ki ne drsi. Ne bodite bos! ali nosite odprtih čevljev.
- Oblečene imejte trpežne, dolge hlače.
- Po potrebi uporabite zaščitne rokavice, npr. kadar pritrjujete, pregledujete ali čistite rezalno opremo.

Varnostne naprave na izdelku



OPOZORILO: Pred uporabo izdelka preberite navodila v povezavi z opozorili v nadaljevanju.

- Ne uporabljajte izdelka z varnostnimi napravami, ki so poškodovane ali ne delujejo pravilno.
- Redno preverjajte varnostne naprave. Če so varnostne naprave poškodovane ali ne delujejo pravilno, se obrnite na servisnega zastopnika Husqvarna.
- Ne spreminjajte varnostnih naprav.

Preverjanje pokrova rezila

Pokrov rezila zmanjšuje moč vibracij v izdelku in zmanjšuje nevarnost poškodb, katerih vzrok bi lahko bilo rezilo.

- Preglejte pokrov rezila in se prepričajte, da nima poškodb, kot so razpoke.

Baterija (LB 244E)



OPOZORILO: Poškodovana baterija zmanjšuje varnost izdelka. Vedno uporabljajte baterijo, ki jo odobri proizvajalec.

Baterija omogoča električni zagon in je hkrati varnostna naprava, ki preprečuje neželen zagon. Ko izdelka ne

uporabljate in je shranjen izven dosega, odstranite baterijo.

Preverjanje ročice zavore motorja

Ročica zavore motorja izklopi motor. Ko je ročica zavore motorja sproščena, se motor ustavi.

- Zaženite motor in nato sprostite ročico zavore motorja. Če se motor ne izklopi v 3 sekundah, peljite izdelek k pooblaščenemu serviserju Husqvarna, da nastavi zavoro motorja. (Sl. 19)

Dušilnik

Dušilnik zmanjšuje raven hrupa na najnižjo možno raven in odvaja izpušne pline stran od uporabnika.

Izdelka ne uporabljajte, če dušilnik ni nameščen ali je poškodovan. Poškodovan dušilnik zviša nivo hrupa in poveča nevarnost požara.



OPOZORILO: Dušilnik se med in po uporabi ter med delovanjem motorja v prostem teku zelo segreje. V bližini vnetljivih materialov in/ali hlapov bodite previdni, da preprečite požar.

Preverjanje dušilnika

- Dušilnik redno preverjajte in se tako prepričajte, da je pravilno nameščen in ni poškodovan.

Varnost pri delu z gorivom



OPOZORILO: Pred uporabo izdelka preberite navodila v povezavi z opozorili v nadaljevanju.

- Če so na izdelku ostanki goriva ali motornega olja, izdelka ne zaganjajte. Očistite ostanke goriva/olja in počakajte, da se izdelek posuši.
- Če se z gorivom polijete po obleki, se nemudoma preoblecite.
- Pazite, da goriva ne polijete po telesu, saj lahko pride do poškodb. Če gorivo polijete po telesu, se očistite z milom in vodo.
- Če motor pušča, izdelka ne zaganjajte. Redno preverjajte, ali motor pušča.
- Z gorivom ravnajte previdno. Gorivo je vnetljivo, hlapi pa so eksplozivni, zato lahko pride do poškodb ali smrti.
- Ne vdihavajte hlapov goriva, saj lahko pride do poškodb. Zagotovite zadosten pretok zraka.
- V bližini goriva ali motorja ne kadite.
- Vročih predmetov ne postavljajte v bližino goriva ali motorja.

- Goriva ne dolivajte, ko je motor vklopljen.
- Pred dolivanjem goriva se prepričajte, da je motor ohlajen.
- Pred dolivanjem počasi odprite pokrovček posode za gorivo in previdno sprostite pritisk.
- Goriva ne dolivajte v zaprtih prostorih. Ne zadosten pretok zraka lahko povzroči poškodbe ali smrt zaradi zadušitve ali zastrupitve z ogljikovim monoksidom.
- Skrbno privijte pokrovček posode za gorivo. Če pokrovček posode za gorivo ni dobro zatesnjen, obstaja nevarnost požara.
- Preden izdelek vklopite, ga premaknite najmanj 3 m/10 čevljev stran od mesta, kjer ste napolnili posodo za gorivo.
- Posode za gorivo ne napolnite do konca. Gorivo se razširi zaradi vročine. Pustite prazen prostor na vrhu posode za gorivo.
- Izdelka nikoli ne shranjujte, napolnjenega z gorivom, v zgradbi s prisotnimi viri vžiga, na primer grelniki za toplo vodo, grelniki prostora ali sušilniki oblačil. Pred shranjevanjem izdelka v zaprt prostor počakajte, da se motor ohladi.

Varnostna navodila za vzdrževanje



OPOZORILO: Pred uporabo izdelka preberite navodila v povezavi z opozorili v nadaljevanju.

- Izpušni plini vsebujejo ogljikov monoksid iz motorja, ki je brezbarven, strupen in zelo nevaren plin. Motorja ne vklopite v zaprtih prostorih.
- Preden začnete z vzdrževanjem izdelka, ustavite motor in s svečke odstranite vžigalni kabel. Pri LB 244E odstranite tudi baterijo.
- Pri vzdrževanju rezalne opreme uporabite zaščitne rokavice. Rezilo je izjemno ostro, zato lahko hitro pride do ureznin.
- Dodatki in spremembe izdelka, ki niso odobrene s strani proizvajalca, lahko vodijo k resnim poškodbam ali celo v smrt. Ne spreminjajte izdelka. Vedno uporabljajte samo dodatke, ki jih je odobril proizvajalec.
- Če izdelka ne vzdržujete pravilno in redno, se poveča nevarnost poškodb osebam in izdelku.
- Vzdrževanje opravite tako, kot piše v teh navodilih za uporabo. Vsakršno drugačno vzdrževanje mora opraviti osebje pooblaščenih servisnih delavnic Husqvarna.
- Redno dovolite osebju pooblaščenih servisnih delavnic Husqvarna izvajati vzdrževalna dela.
- Zamenjajte poškodovane, obrabljene ali zlomljene dele.

Montaža

Uvod



OPOZORILO: Preden sestavite izdelek morate prebrati in razumeti poglavje o varnosti.



OPOZORILO: Preden sestavite izdelek odklopite kabel žžigalne svečke s svečke.

Namestitev ročice

1. Ročaj povlecite nazaj do končnega položaja. (Sl. 20)

2. Privijte gumb ročaja. (Sl. 21)

Nastavitev višine ročice

1. Prepričajte se, da je ročica za nastavitev višine v utoru. Če ročice za nastavitev višine ne vstavite v utor, s stopalom pritisnite ročico za nastavitev višine. (Sl. 22)
2. Z nogo potisnite navznoter ročico za nastavitev višine.
3. Ročaj namestite v pravi položaj in ga sprostite. (Sl. 23)

Delovanje

Uvod



OPOZORILO: Pred uporabo izdelka morate prebrati in razumeti poglavje o varnosti.

Husqvarna Connect

Husqvarna Connect je brezplačna aplikacija za vašo mobilno napravo. Aplikacija Husqvarna Connect omogoča razširitev funkcij vašega izdelka Husqvarna:

- Dodatne informacije o izdelku.
- Informacije o izdelku, delih in servisu ter pomoč.

Začetek uporabe: Husqvarna Connect

1. V mobilno napravo si prenesite aplikacijo Husqvarna Connect.
2. Registrirajte se v aplikaciji Husqvarna Connect.
3. Za vzpostavitev povezave in registracijo izdelka sledite navodilom v aplikaciji Husqvarna Connect.

Pred uporabo izdelka

1. Natančno preberite navodila za uporabo in se prepričajte, da ste jih razumeli.
2. Preglejte rezalno opremo in se prepričajte, da je pravilno pritrjena in nastavljena. Glejte *Kako pregledati rezalno opremo na strani 353*.
3. Preverite nivo olja in po potrebi dolijte motorno olje. Glejte *Preverjanje nivoja olja na strani 353*.
4. Napolnite posodo za gorivo. Glejte *Dolivanje goriva na strani 350*.

Dolivanje goriva

Če je na voljo, uporabite bencin z nizko stopnjo emisij/alkilatno gorivo. Če gorivo z nizkoemisijskim razredom/

alkilatno gorivo ni na voljo, uporabite neosvinčeno gorivo dobre kakovosti ali osvinčeno gorivo, ki ima najmanj 91 oktanov.



POZOR: Ne uporabljajte bencina, ki ima oktansko število nižje od 91 RON. Izdelek se lahko tako poškoduje.



POZOR: Filter goriva zamenjajte enkrat letno ali po potrebi pogosteje. Nov filter za gorivo je na voljo pri pooblaščenem prodajalcu Husqvarna.



POZOR: Pred dolivanjem goriva obvezno ugasnite motor.



POZOR: Ne uporabljajte tekočin za zagon pod tlakom.

1. Počasi odprite pokrovček posode za gorivo, da sprostite pritisk.
2. Napolnite počasi s posodo za gorivo. Če gorivo polijete, ga pobrišite s krpo in pustite, da se preostalo gorivo posuši. (Sl. 24)
3. Očistite področje okrog pokrovčka posode za gorivo.
4. Skrbno privijte pokrovček posode za gorivo. Če pokrovček posode za gorivo ni dobro zatesnjen, obstaja nevarnost požara.
5. Preden izdelek vklopite, ga premaknite najmanj 3 m/10 čevljev stran od mesta, kjer ste napolnili posodo za gorivo.

Nastavitev kosilnice v delovni položaj

1. Sestavite ročaj. Glejte, *Namestitev ročice na strani 350*.
2. Nastavitev višine ročaja. Glejte, *Nastavitev višine ročice na strani 350*.



POZOR: Prepričajte se, da kabli niso preveč napeti. Če so kabli preveč napeti, lahko pride do poškodb, ko ročaj preklonite v položaj za transport.



OPOZORILO: Izdelek uporabljajte samo, če je ročaj pomaknjen do konca navzgor in je nastavljen v enem od ustreznih višinskih položajev. Glejte, *Nastavitev višine ročice na strani 350*.

Nastavitev višine košnje

Košnjo lahko nastavite na 6 različnih višin.

1. Izključite motor.
2. Povlecite ročico za nastavitev višine košnje nazaj, da povečate višino rezanja. (Sl. 25)
3. Potisnite ročico za nastavitev višine košnje naprej, da znižate višino rezanja.



POZOR: Ne nastavite višino rezanja prenizko. Rezila lahko trčijo ob tla, če površina travnika ni ravna.

Zagon izdelka

- Prepričajte se, da je kabel vžigalne svečke priključen na svečko.

Ročni zagon (LB 144)

1. Ostanite za izdelkom.
2. Ročico zavore motorja držite ob zgornji ročaj. (Sl. 26)
3. Z desno roko držite ročico zaganjalne vrvice.
4. Zaganjalno ročico počasi izvlecite, da začutite nekoliko upora.
5. Močno povlecite, da zaženete motor.



OPOZORILO: Zaganjalne vrvice ne navijajte okoli zapesja.

Električni zagon (LB 244E)

1. Baterija mora biti napolnjena. Glejte, *Vzdrževanje baterije (LB 244E) na strani 354*.
2. Baterijo namestite na motor. Baterija se zaskoči, ko slišite klik. (Sl. 27)
3. Ostanite za izdelkom in ročico zavore motorja (A) držite ob zgornji ročaj. (Sl. 28)
4. Pritisnite in 3 do 5 sekund pridržite gumb ta električni zagon (B). Motor se zažene.

Opomba: Če motorja ni mogoče zagnati, počakajte minuto in izdelek poskusite zagnati znova.

Kako izklopiti izdelek

- Če želite izklopiti motor, sprostite ročico zavore motorja.

Odstranitev baterije (LB 244E)

Ko izdelka ne uporabljate, odstranite baterijo in tako preprečite nenameren zagon motorja.

- Pritisnite zaklepni gumb (A) in izvlecite baterijo. (Sl. 29)

Kako doseči dober rezultat

- Vedno uporabljajte ostra rezila. Če uporabljate topo rezilo, bo trava pokošena neenakomerno, ob zarezah pa lahko postane tudi rumena. Ostro rezilo prav tako porabi manj energije kot topo rezilo.
- Ne odrežite več kot tretjino dolžine travnih bilk. Najprej kosite z visoko nastavitvijo višine košnje. Preglejte rezultat in nastavite višino košnje na ustrezno višino. Če je trava zelo visoka, vozite počasi in po potrebi kosite dvakrat.
- Vsakič kosite v različnih smereh, da se na travi ne bi pojavile črte.
- Pokrov kosišča mora biti čist. Obloge iz trave in umazanije na notranji strani pokrova kosišča lahko zmanjša učinkovitost košnje. Glejte *Kako očistiti notranjo površino pokrova rezila na strani 352*.

Vzdrževanje

Uvod



OPOZORILO: Pred izvajanjem vzdrževalnih del morate prebrati in razumeti poglavje o varnosti.

Za servisiranje in popravila na izdelku posebno usposabljanje ni potrebno. Zagotavljamo, da vam bodo

na voljo strokovna popravila in servisiranje. Če vaš prodajalec ni pooblaščen serviser, ga povprašajte, kje je naslednja najbližja pooblaščen servisna delavnica.

Za več informacij glejte www.husqvarna.com.

Umnik vzdrževanja



POZOR: Ko izdelek nagibate mora biti zračni filter na zgornji strani in ne sme biti bližje tlom. Nevarnost poškodb motorja.



POZOR: Pred vzdrževanjem, popravili ali čiščenjem modelov z električnim zagonom odstranite baterijo.

Izračunani intervali vzdrževanja veljajo za vsakodnevno uporabo izdelka. Intervali se spremenijo, če izdelka ne uporabljate vsakodnevno.

Vzdrževalni posegi, označeni z *, veljajo za navodila v *Varnostne naprave na izdelku na strani 348.*

Vzdrževanje	Dnevno	Mesečno	Vsako sezono
Opravite splošen pregled	X		
Preverite nivo olja	X		
Zamenjajte olje (prvič po 5 urah uporabe, potem po vsakih 50 urah uporabe) ¹⁵⁵			X
Izdelek očistite	X		
Očistite območje okoli ročice za nastavitev višine krmilnega ročaja.	X		
Preglejte rezalno opremo	X		
Preglejte pokrov rezila *	X		
Preglejte ročico zavore motorja *	X		
Preglejte dušilnik *		X	
Preglejte svečko. Po potrebi očistite ali zamenjajte svečko.			X
Preglejte zračni filter	X		
Očistite zračni filter ¹⁵⁶		X	
Zamenjajte zračni filter			X
Preglejte sistem za gorivo			X
Očistite hladilna rebra na valju.		X	

Izvajanje splošnih pregledov

- Prepričajte se, da so vse matice in vijaki na izdelku ustrezno priviti.

Kako čistiti zunanost izdelka

- S krtačo odstranite listje, travo in umazanijo.
- Prepričajte se, da dovod zraka na vrhu motorja ni oviran.
- Izdelek ne čistite z visokotlačnim čistilnikom.
- Če izdelek operete z vodo, pazite, da voda ne teče neposredno na motor.

Očistite območje okoli ročice za nastavitev višine krmilnega ročaja.

- S krtačo odstranite listje, travo in umazanijo. (Sl. 30)

Kako očistiti notranjo površino pokrova rezila

1. Izpraznite posodo za gorivo.
2. Nagnite izdelek. Prepričajte se, da je vžigalna svečka obrnjena navzgor.

¹⁵⁵ Če izdelek uporabljate z veliko obremenitvijo ali pri visokih temperaturah okolja, zamenjajte motorno olje vsakih 25 ur.

¹⁵⁶ Pogosteje čistite v prašnih razmerah ali ko so prisotni delci v zraku. Če je zračni filter zelo umazan, ga zamenjajte.



POZOR: Če položite izdelek na stran tako, da je na tleh zračni filter, lahko poškodujete motor.

3. Izperite notranjo površino pokrova rezila z vodo.

Kako pregledati rezalno opremo



OPOZORILO: Odstranite vžigalni kabel s svečke, da preprečite naključni vklop motorja.



OPOZORILO: Pri vzdrževanju rezalne opreme uporabite zaščitne rokavice. Rezilo je izjemno ostro, zato lahko hitro pride do uresnin.

1. Preverite, ali je rezalna oprema poškodovana oziroma razpokana. Če je rezalna oprema poškodovana, jo zamenjajte.
2. Preverite, ali je rezilo poškodovano ali topo.

Opomba: Rezilo morate po brušenju postaviti v ravnovesje. Izdelek peljite na servisni center, da rezilo nabrusijo, zamenjajo in uravnovesijo. Če trčite ob oviro in se izdelek ustavi, zamenjajte poškodovano rezilo. Pooblaščen servisna delavnica naj oceni, ali lahko rezilo izostrijo ali pa ga je treba zamenjati.

Zamenjava rezil

1. Rezilo blokirajte z leseno klado. (Sl. 31)
2. Odstranite vijak rezila in vzmetno podložko.
3. Odstranite rezilo.
4. Preverite, ali sta nosilec in vijak rezila poškodovana.
5. Preglejte, ali je motorna gred zvita.
6. Ko pritrdite novo rezilo, usmerite nagnjene strani rezila v smer pokrova rezila. (Sl. 32)
7. Prepričajte se, da je rezilo poravnano s središčem motorne gredi.
8. Rezilo blokirajte z leseno klado. Pritrdite podložko vzmeti in privijte vijak in podložko z zateznim momentom 44-46 Nm. (Sl. 33)
9. Ročno zavrtite rezilo in se prepričajte, da se prosto obrača.



OPOZORILO: Nosite trpežne rokavice. Rezilo je izjemno ostro, zato lahko hitro pride do uresnin.

10. Izdelek vklopite, da preizkusite rezilo. Če rezilo ni pritrjeno pravilno, bo izdelek vibriral, rezultat košnje pa ne bo zadovoljiv.

Preverjanje nivoja olja



POZOR: Če je nivo olja prenizek, se lahko poškoduje motor. Preden zaženete izdelek, preverite nivo olja.

1. Izdelek naj bo na ravnih tleh.
2. Odstranite pokrovček posode za olje in priloženo merilno palico.
3. Z merilne palice očistite olje.
4. Merilno palico vstavite do konca v posodo za olje.
 - a) Pokrovčka posode za olje ne pritrdite na LB 144.
 - b) Pokrovček posode za olje pritrdite na LB 244E.
5. Odstranite pokrovček posode za olje in merilno palico.
6. Na merilni palici preverite nivo olja.
7. Če je nivo olja nizek, dolijte motorno olje in še enkrat preverite nivo olja. (Sl. 34)

Opomba: Uporabite lijak, da preprečite razlitje.

8. Ko je nivo olja pravilen, namestite pokrovček posode za olje.

Zamenjava motornega olja



OPOZORILO: Tik po zaustavitvi motorja je motorno olje zelo vroče. Preden iztočite motorno olje, se motor mora ohladiti. Če polijete motorno olje po koži, se umijte z milom in vodo.

(Sl. 35)

1. Izdelek uporabljajte, dokler imate v rezervoarju gorivo.
2. S svečke odstranite vžigalni kabel.
3. Odstranite pokrovček posode za olje in priloženo merilno palico.
4. Pod izdelek postavite posodo, kamor se bo izteklo motorno olje.
5. Nagnite izdelek ali iztočite motorno olje iz posode za olje z oljno črpalko (dodatna oprema).
6. Dolijte novo motorno olje. Priporočeno vrsto si oglejte v *Tehnični podatki na strani 357*.
7. Preverite nivo olja. Glejte *Preverjanje nivoja olja na strani 353*.
8. Ko je nivo olja pravilen, namestite pokrovček posode za olje.

Zračni filter

Umazan zračni filter lahko povzroči poškodbe ali nepravilno delovanje motorja. V prašnih pogojih pogosteje čistite zračni filter. Glejte, *Urmik vzdrževanja*

na strani 352 za navodila, kdaj je treba zamenjati zračni filter.

Opomba: Če je zračni filter poškodovan, ga zamenjajte.

Čiščenje in pregled zračnega filtra (LB 244E)



OPOZORILO: Uporabljajte zaščitne rokavice.

1. Potisnite objemke na pokrovu zračnega filtra.
2. Previdno odstranite pokrov zračnega filtra (A) z motorja.
3. Odstranite zračni filter (B). (Sl. 36)
4. Preverite, ali je zračni filter poškodovan. Če je zračni filter poškodovan, ga zamenjajte.
5. Očistite in pregledajte zračni filter. Glejte *Čiščenje zračnega filtra (LB 244E) na strani 354*.
6. Namestitev poteka v obratnem vrstnem redu.

Čiščenje zračnega filtra (LB 244E)

Umazan zračni filter lahko povzroči poškodbe ali nepravilno delovanje motorja. V prašnih pogojih pogosteje čistite čistilec zraka.

Glejte, *Urnik vzdrževanja na strani 352* za navodila, kdaj je treba zamenjati zračni filter.

1. Odstranite pokrov zračnega filtra in filter.
2. Očistite filter tako, da z njim udarite ob ravno površino. Za čiščenje filtra ne uporabljajte topil s petrolejem, kerozina ali komprimiranega zraka.

Opomba: Zračnih filtrov, ki jih uporabljate že dolgo, ni mogoče povsem očistiti. Zračni filter zamenjajte v rednih intervalih. Poškodovane zračne filtre obvezno zamenjajte.

3. Pri namestitvi zračnega filtra bodite pozorni, da se povsem nalega ob nosilec filtra.

Kako očistiti filter iz penjene plastike (LB 144)



POZOR: Če je zračni filter odstranjen, se motor ne bo zagnal. Če je zrak umazan, se zračni filter hitreje obrabi.

1. Odstranite pokrov zračnega filtra (A). (Sl. 37)
2. Odstranite filter iz penjene plastike (B).



POZOR: Preverite, ali je filter iz penjene plastike poškodovan ali obrabljen. Zamenjajte vse poškodovane filtre iz penjene plastike.

3. Filtre iz penjene plastike sčistite z milom in vodo.

4. Filtre iz penjene plastike izperite s čisto vodo.
5. Iztisnite vodo iz filtrov iz penjene plastike in jih pustite, da se posuši.



POZOR: Ne uporabljajte stisnjenega zraka. Ta lahko poškoduje filter iz penjene plastike.

6. Filtri iz penjene plastike namažite z motornim oljem.
7. Ob filter iz penjene plastike pritisnite čisto krpo, da vsrka odvečno olje.
8. Odstranite filter iz penjene plastike. Prepričajte se, da se filtre iz penjene plastike tesno prilega nosilcu zračnega filtra.
9. Namestite pokrov zračnega filtra.

Vzdrževanje baterije (LB 244E)

Baterija ne potrebuje vzdrževanja. Po potrebi lahko baterijo servisira samo pooblaščen servisni center.

Prva uporaba baterije (LB 244E)



POZOR: Baterija se ne sme popolnoma izprazniti. Če se baterija izprazni, se lahko poškoduje.

Baterijo je treba pred prvo uporabo napolniti.

1. Polnilnik baterije povežite z baterijo; glejte *Polnjenje akumulatorja (LB 244E) na strani 354*.
2. Počakajte, dokler ne zasveti vsaj 1 zelena lučka LED.
3. Baterijo namestite na motor; glejte *Električni zagon (LB 244E) na strani 351*.

Polnjenje akumulatorja (LB 244E)

Če na bateriji svetita samo indikatorja 1 ali 0, jo je potrebno napolniti. Prazno baterijo je mogoče popolnoma napolniti v 2 urah. Kratkotrajna polnjenja ne poškodujejoje baterije.

1. Polnilnik baterije priključite v vtičnico. (Sl. 38)
2. Polnilnik baterije priključite v električno vtičnico, 100–240 V, 50–60 Hz.
3. Polnilnik najprej izključite iz omrežne vtičnice in nato ga odstranite z baterije.

Stanje napoljenosti baterije

Prikaz LED na bateriji	Stanje
Lučka LED 1 utripa rdeče.	1–9 %
Lučka LED 1 neprekinjeno sveti rdeče.	10–32 %
Lučka LED 1 sveti zeleno, lučka LED 2 pa rdeče.	33–54 %

Prikaz LED na bateriji	Stanje
Lučki LED 1 in 2 svetita zeleno, lučka LED 3 pa rdeče.	55–77 %
Lučke LED 1, 2 in 3 svetijo zeleno, lučka LED 4 pa rdeče.	78–100 %

Indikatorna lučka na polnilniku baterije	Stanje
Neprekinjena rdeča lučka	Baterija se polni.
Neprekinjena zelena lučka	Baterija je popolnoma napolnjena.

Preverjanje svečke



POZOR: Vedno uporabljajte priporočeno vrsto vžigalne svečke. Zaradi neustrezne vrste vžigalne svečke se izdelek lahko poškoduje.

- Če se moč motorja zmanjša, motorja ni mogoče enostavno zagnati ali ta ne deluje ustrezno v prostem teku, preverite vžigalno svečko.
- Tveganje za pojav oblog na elektrodah vžigalne svečke lahko zmanjšate tako, da upoštevate ta navodila:
 - a) Hitrost prostega teka mora biti pravilno nastavljena.
 - b) Mešanica goriva mora biti ustrezna.
 - c) Zračni filter mora biti čist.
- Če je vžigalna svečka umazana, jo očistite in zagotovite, da je razmak med elektrodama ustrezen; glejte *Tehnični podatki na strani 357*. (Sl. 39)
- Vžigalno svečko po potrebi zamenjajte.

Kako pregledati sistem za gorivo

- Preverite, ali sta pokrov rezervoarja za gorivo in tesnilo pokrova rezervoarja za gorivo poškodovana.
- Preverite, ali cev za gorivo pušča. Če je cev za gorivo poškodovana, naj jo pooblaščen servisna delavnica zamenja.

Izpraznitev posode za gorivo

1. Pod posodo za gorivo postavite posodo.
2. Odstranite pokrovček posode za gorivo.
3. Objemko na cevi za gorivo potisnite ob uplinjalnik.
4. Odstranite cev za gorivo z uplinjalnika.
5. Cev posode za gorivo odložite v posodo in odstranite objemko cevi.
6. Nagnite izdelek in gorivo iztočite v posodo.

Zamenjava filtra goriva



OPOZORILO: Uporabljajte zaščitne rokavice.

1. Izpraznite rezervoar za gorivo.
2. Objemko cevi odmaknite od posode za gorivo. (Sl. 40)
3. Cev za gorivo odstranite s posode za gorivo. Izteče lahko manjša količina goriva. (Sl. 41)
4. Filter za gorivo odstranite iz posode za gorivo. (Sl. 42)
5. V posodo za gorivo namestite nov filter za gorivo.
6. Cev za gorivo namestite na posodo za gorivo.
7. Objemko cevi namestite v prvotni položaj ob posodi za gorivo.

Odpravljanje težav z motorjem

Težava	Možen vzrok	Rešitev
Motorja ni mogoče zagnati.	Vžigalni kabel ni pravilno priključen.	Vžigalni kabel priklopite na svečko.
	Rezervoar za gorivo je prazen.	Rezervoar za gorivo napolnite z ustrezno vrsto goriva.
	Gorivo je staro.	Iztočite rezervoar za gorivo in uplinjalnik. Dolijte novo gorivo.
	V uplinjalniku ali vodu za gorivo je umazanija.	Očistite uplinjač in/ali vod za gorivo.
	Vžigala svečka je poškodovana.	Nastavite razmak med elektrodama, očistite ali pa zamenjajte svečko.
	Na vžigalniki svečki je prisotno gorivo.	Očistite svečko.

Težava	Možen vzrok	Rešitev
Motorja ni mogoče zaustaviti.	Zaustavitev stroja ne deluje pravilno.	S svečke odstranite vžigalni kabel. Po pravilo izdelka naj izvede pooblaščen servisna delavnica.
Motor ne deluje gladko.	Vžigalni kabel ni pravilno priključen.	Vžigalni kabel priklopite na svečko.
	V vodu za gorivo je umazanija ali pa je izteklo gorivo.	Očistite vod za gorivo. V rezervoar za gorivo nalijte novo gorivo ustreznega tipa.
	V pokrovu rezervoarja za gorivo je prisotna zamašitev.	Očistite pokrovček rezervoarja za gorivo.
	V sistemu goriva je voda ali umazanija.	Izpraznite rezervoar za gorivo. V rezervoar za gorivo nalijte novo gorivo ustreznega tipa.
	Zračni filter je umazan.	Očistite zračni filter.
	Uplinjač je treba nastaviti.	Pustite, da servisni zastopnik nastavi uplinjač.
Motor se pregreva.	Nivo motornega olja je prenizek.	Dolijte motorno olje.
	Pretok zraka ni zadosten.	Očistite zračni filter in ohišje zračnega filtra.
	Uplinjač je treba nastaviti.	Pustite, da servisni zastopnik nastavi uplinjač.
Pri delovanju motorja z visoko hitrostjo je prisotno nepopolno zgorevanje.	Razmak elektrod v svečki je premajhen.	Prilagodite razmak med elektrodama.
Nenavadni zvoki motorja pri normalni obremenitvi.	Neustrezna vrsta bencina.	Iztočite rezervoar za gorivo in uplinjalnik. Dolijte novo gorivo. Glejte, <i>Kako pregledati sistem za gorivo na strani 355</i> . Če napake ne morete odpraviti, se obrnite na lokalnega servisnega zastopnika.
Motor pri hitrosti prostega teka ne deluje pravilno.	Vžigalna svečka je umazana, poškodovana ali pa je razmak elektrod preširok.	Nastavite razmak med elektrodama ali pa zamenjajte svečko.
	Uplinjač je treba nastaviti.	Nastavite uplinjač.
	Zračni filter je umazan.	Očistite zračni filter.

Transport skladiščenje in odstranitev

Prevoz in skladiščenje

- Preden prevažate in skladiščite izdelek in gorivo, se prepričajte, da izdelek ne pušča in da ni hlapov. Iskre ali odprti plamen, npr. z električnih naprav ali kotlov, lahko zanetijo ogenj.
- Za prevoz in skladiščenje goriva vedno uporabite odobrene posode.
- Preden izdelek skladiščite za daljše obdobje, izpraznite rezervoar za gorivo. Gorivo zavržite na temu primernem zbirnem mestu.

- Izdelek varno pritrdite na prevozno sredstvo, da se izognete poškodbam in nesrečam.
- Izdelek skladiščite v zaklenjenem prostoru, tako da otroci ali osebe, ki niso primerne za rokovanje z izdelkom, do izdelka ne morajo dostopati.
- Izdelek skladiščite na suhem mestu, kjer ne zmrzuje.

Nastavitev izdelka v transportni položaj

1. Sprostite gumbe ročaja. (Sl. 43)

2. Ročaj prepolvovite naprej do končnega položaja. (Sl. 44)

Prevoz in skladiščenje baterije in polnilnika

- Izdelek mora mirovati in se ohladiti, preden lahko odstranite baterijo. Če želite odstraniti baterijo, pritisnite in pridržite gumb na vrhu baterije ter baterijo odstranite iz reže.
- Če je bilo skladiščenje daljše od 30 dni, baterijo polnite, da bodo svetile več kot 3 zelene lučke.
- Baterijo napolnite enkrat na tri mesece, da preprečite poškodbe baterije.
- Baterijo in polnilnik baterije skladiščite pri temperaturi od 5 °C do 40 °C. Višje temperature ali viri visoke toplote, kot je ogenj, lahko poškodujejo baterijo.
- Baterije ne razstavljajte.
- Baterije ne potaplajte v vodo. Baterijo hranite v hladnem in suhem prostoru z dobrim pretokom zraka.

- Če med uporabo, skladiščenjem ali polnjenjem baterija smrdi, je vroča ali se zaradi vročine spreminja njena oblika, jo odstranite in je ne uporabljajte več.
- Baterija ali polnilnik baterije mora biti nameščen, da ne pride do poškodb.
- Polnilniki baterije se ne sme pregreти.

Odstranitev

- Upoštevajte lokalne zahteve za recikliranje in ustrezne predpise.
- Vse kemikalije, na primer motorno olje ali sredstvo proti zamrzovanju, zavrzite v servisnem centru ali na kakšni drugi temu primerni lokaciji.
- Ko izdelka ne uporabljate več, ga pošljite k prodajalcu Husqvarna ali pa ga zavrzite na mestu za recikliranje.
- Baterijo zavrzite v pooblaščen servisni delavnici ali jo v zbirnem centru za odpadne baterije.

Tehnični podatki

Tehnični podatki

	LB 144	LB 244E
Motor		
Znamka	Husqvarna	Husqvarna
Model	HS 123A	HS 139AE
Tip motorja	Enojni valj, 4-taktni, prisilno hlajenje z zrakom, OHV	Enojni valj, 4-taktni, prisilno hlajenje z zrakom, OHV
Prostornina, cm ³	123	139
Št. vrt. motorja – nazivno, vrt/min	3000/min	2900 vrt/min
Nazivna izhodna moč motorja v kW ¹⁵⁷	1,95	2,2
Vžigalni sistem		
Svečka	Husqvarna HQT-7	Husqvarna HQT-7
Razmak med elektrodama, mm	0,7-0,8	0,7-0,8
Sistem za gorivo in mazanje		
Vrsta maziva za motor	Pršenje	Pršenje
Prostornina posode za gorivo, l	0,9	0,9
Prostornina posode za olje, l	0,5	0,5

¹⁵⁷ Navedena vrednost moči stroja je povprečni skupni izhod (pri določenem številu vrtljajev na minuto) običajnega proizvodnega stroja za model stroja, izmerjen po standardu SAE J1349/ISO1585. Stroji masovne proizvodnje imajo lahko drugačno vrednost. Dejanska moč izdelka, nameščenega na končni napravi, je odvisna od delovne hitrosti, okoljskih pogojev in drugih vrednosti.

	LB 144	LB 244E
Motorno olje ¹⁵⁸	Husqvarna SAE 30, Husqvarna SAE 5W-30 Synthetic, Husqvarna SAE 10W-40	Husqvarna SAE 30, Husqvarna SAE 5W-30 Synthetic, Husqvarna SAE 10W-40
Teža		
S praznimi posodami v kg	22	23,5
Emisije hrupa¹⁵⁹		
Raven zvočne moči, izmerjena v dB (A)	91	92
Raven zvočne moči, zajamčena L _{WA} v dB(A)	94	94
Nivoji hrupa¹⁶⁰		
Nivo zvočnega tlaka pri ušesu operaterja, dB(A)	79	80
Ravni vibracij¹⁶¹		
Raven vibracij zgornjega ročaja, m/s ²	7,6	6,0
Rezalna oprema		
Višina reza v mm	25–75	25–75
Širina rezanja, mm	440	440
Rezalni sistem	Bioclip®	Bioclip®
Standardno rezilo	Mulčenje 5464584-10	Mulčenje 5464584-10
Sistem za zagon		
Električni zaganjalnik	Ne	Da
Akumulator	-	Litij-ionska baterija, 10,8 V / 21,6 Wh

¹⁵⁸ Uporabljajte le motorna olja razreda API SJ ali višjih. Če olje SAE-30 uporabljate pri temperaturah, nižjih od 5 °C, obstaja nevarnost, da motor ne bo dovolj namazan. Ob tem lahko pride do poškodb motorja. Pravilno olje za nizke temperature je navedeno v poglavju *Zamenjava motornega olja na strani 353*. Glejte tabelo razredov viskoznosti v navodilih za uporabo motorja (če so priložena) in izberite najprimernejšo viskoznost olja glede na pričakovano zunanjo temperaturo.

¹⁵⁹ Emisije hrupa v okolje, merjene kot moč zvoka (L_{WA}), v skladu z direktivo ES 2000/14/ES.

¹⁶⁰ Zabeleženi podatki za nivo zvočnega tlaka imajo tipično statistično razpršitev (standardni odklon) 1,2 dB (A).

¹⁶¹ Zabeleženi podatki za raven vibracij imajo tipično statistično razpršitev (standardni odklon) 0,2 m/s².

Izjava o skladnosti

Izjava EU o skladnosti

Mi, **Husqvarna AB**, SE--561 82 Huskvarna, Švedska,
tel.: +46-36-146500, izjavljamo na lastno odgovornost,
da je izdelek:

Opis	Vrtna kosilnica
Znamka	Husqvarna
Vrsta/model	LB 144, LB 244E
Identifikacija	Serijske številke od letnika 2023 dalje

v celoti skladen z naslednjimi direktivami in uredbami
EU:

Uredba	Opis
2006/42/ES	"o strojih"
2014/30/EU	"o elektromagnetni združljivosti"
2000/14/EC	"o emisijah hrupa v okolico"
2011/65/EU	"o omejevanju uporabe nekaterih nevarnih snovi v električni in elektronski opremi"

in so pri tem v veljavi naslednji standardi in/ali tehnične
specifikacije: EN ISO 5395-1:2013+A1:2018, EN ISO
5395-2:2013+A1:2016+A2:2017, EN IEC 63000:2018,
EN ISO 14982:2009

Priglašeni organ: 0404, SMP Svensk Maskinprovning
AB, Box 4053, SE-904 03 Umeå, Sweden, je potrdil
skladnost z direktivo Sveta 2000/14/ES, postopki
ugotavljanja skladnosti: Priloga VI.

Za informacije v zvezi z emisijami hrupa glejte poglavje
Tehnični podatki na strani 357.

Husqvarna, 2023-09-18



Claes Losdal, Vodja oddelka za razvoj vrtno opreme,
Husqvarna AB

Odgovorni za tehnično dokumentacijo



Sadržaj

Uvod.....	360	Rešavanje problema sa motorom.....	370
Bezbednost.....	361	Transport, skladištenje i odlaganje.....	371
Sklapanje.....	364	Tehnički podaci.....	371
Rukovanje.....	364	Deklaracija o usaglašenosti.....	374
Održavanje.....	366		

Uvod

Opis proizvoda

Proizvod je rotirajuća kosačica koju gura korisnik, a koja koristi BioClip za seckanje trave u đubrivo.

Pregled proizvoda

(Sl. 1)

1. Ručica kočnice motora
2. Ručica/upravljač
3. Ručica užeta startera (LB 144)
4. Poluga visine košenja
5. Poklopac rezervoara za ulje i šipka za merenje
6. Prigušivač
7. Svećica
8. Ručka za podizanje
9. Pritiskivač za podešavanje visine za upravljač
10. Poklopac rezervoara za gorivo
11. Filter za vazduh
12. Poklopac košenja
13. Nož
14. Opružna podloška
15. Zavrtnaj noža
16. Akumulator, bezbednosni uređaj (LB 244E)
17. Dugme električnog startera (LB 244E,)
18. Uputstvo za rukovaoca

Simboli na proizvodu

- (Sl. 2) **UPOZORENJE!** Budite pažljivi i koristite proizvod na pravilan način. Ovaj proizvod može prouzrokovati teške telesne povrede ili smrt rukovaoca i drugih osoba.
- (Sl. 3) Pre upotrebe, pažljivo pročitajte korisničko uputstvo i budite sigurni da ste ga razumeli.
- (Sl. 4) Pazite na odbačene predmete i odskakivanja.
- (Sl. 5) Pazite da ljudi i životinje budu na bezbednoj udaljenosti od radnog područja.

Namena

Koristite proizvod za košenje trave. Nemojte koristiti proizvod za druge zadatke.

- (Sl. 6) **Upozorenje:** Udaljite šake i stopala od rotirajućeg noža.
- (Sl. 7) **Upozorenje:** Udaljite šake i stopala od rotirajućih delova.
- (Sl. 8) Zaustavite motor i uklonite kabl za paljenje pre popravki i održavanja.
- (Sl. 9) Proizvod je usaglašen sa važećim direktivama EZ.
- (Sl. 10) Oznaka emisije buke u okruženju je u skladu sa direktivama i propisima EU i UK i propisom o zaštiti radova u okruženju (kontrola buke) Novog Južnog Velsa iz 2017. Garantovani nivo zvučne snage za ovaj proizvod naveden je u odeljku *Tehnički podaci na stranici 371* i na nalepnici.
- (Sl. 11) Proizvod je usaglašen sa važećim direktivama UK.
- (Sl. 12) Rizik od požara.
- (Sl. 13) Ne udišite izduvne gasove. Izduvni gasovi iz motora sadrže ugljen-monoksid, otrovan i veoma opasan gas bez mirisa. Nemojte puštati motor u rad u zatvorenim prostorima.
- (Sl. 14) Vruća površina.
- (Sl. 16) Napunite motor uljem pre pokretanja proizvoda.

(Sl. 17) Postupak pokretanja za LB 144: Pritisnite ručicu kočnice motora nadole i povucite ručicu užeta startera.

(Sl. 18) Postupak pokretanja za LB 244E: Pritisnite ručicu kočnice motora nadole i pritisnite dugme za pokretanje.

(Sl. 15) Kôd koji se može skenirati.

Napomena: Ostali simboli/nalepnice na proizvodu se odnose na zahteve u vezi sa sertifikacijom na drugim tržištima.

Oštećenje proizvoda

Nismo odgovorni za oštećenja proizvoda u sledećim slučajevima:

- proizvod je popravljen na pogrešan način
- proizvod je popravljen korišćenjem delova koji nisu napravljeni ili odobreni od strane proizvođača
- proizvod ima opremu koja ne potiče ili nije odobrena od strane proizvođača
- proizvod nije popravljen u ovlašćenom servisnom centru ili od strane ovlašćenog stručnjaka

Emisije Euro V.



UPOZORENJE: Neovlašćene prepravke motora poništavaju EU tip odobrenja za ovaj proizvod.

Bezbednost

Bezbednosne definicije

Upozorenja, mere opreza i napomene se koriste da ukažu na naročito važne delove korisničkog uputstva.



UPOZORENJE: Koristi se ako, usled nepoštovanja uputstava, postoji rizik od nastanka telesnih povreda ili smrti kod rukovaoca ili prisutnih osoba.



OPREZ: Koristi se ako, usled nepoštovanja uputstava, postoji rizik od nastanka oštećenja na proizvodu, drugim materijalima ili susednim oblastima.

Napomena: Koristi se za pružanje više informacija koje su neophodne u datoj situaciji.

Opšta bezbednosna uputstva



UPOZORENJE: Pročitajte upozoravajuća uputstva koja slede pre korišćenja proizvoda.

- Proizvod je opasan ako se koristi na nepravilan način ili ako niste oprezni. Može doći do telesne povrede ili smrti ako se ne pridržavate bezbednosnih uputstava.
- Ovaj proizvod pri radu stvara elektromagnetno polje. Ovo polje u određenim uslovima može da izazove smetnje na aktivnim i pasivnim medicinskim implantatima. Kako bi se smanjio rizik od teških ili smrtnih povreda, preporučujemo osobama koje imaju medicinske implante da se pre upotrebe ovog uređaja konsultuju sa lekarom ili proizvođačem implanta.
- Uvek budite pažljivi i koristite zdrav razum. Ako niste sigurni kako da rukujete proizvodom u određenoj situaciji, prekinite rad i obratite se Husqvarna prodavcu pre nastavka rada.
- Imajte na umu da će se rukovalac smatrati odgovornim za nesrećne slučajeve koji uključuju druge osobe ili njihovu imovinu.
- Održavajte proizvod čistim. Pobrinite se da jasno možete pročitati znakove i nalepnice.
- Nemojte dozvoliti da druga osoba koristi proizvod osim ako se niste uverili da je pročitala i razumela sadržaj korisničkog uputstva.
- Nemojte dozvoliti da dete rukuje proizvodom.
- Vodite računa o tome da deca ne budu u radnom području. Odgovorna odrasla osoba mora biti prisutna sve vreme.
- Ne dozvolite neobučenim osobama da rukuju proizvodom.
- Uvek nadzirite osobu sa smanjenim fizičkim ili mentalnim sposobnostima koja koristi proizvod. Odgovorna odrasla osoba mora biti prisutna sve vreme.
- Nemojte koristiti proizvod kada ste umorni, bolesni ili pod uticajem alkohola, droge ili lekova. To negativno utiče na vaš vid, opreznost, koordinaciju i rasuđivanje.
- Nemojte koristiti uređaj koji je oštećen ili neispravan.
- Nemojte vršiti izmene na proizvodu i nemojte koristiti proizvod ako postoji mogućnost da su druge osobe vršile izmene na njemu.
- Nemojte da menjate podešavanje za kontrolu brzine motora.

Bezbednost u oblasti rada



UPOZORENJE: Pročitajte upozoravajuća uputstva koja slede pre korišćenja proizvoda.

- Uklonite predmete kao što su grane, grančice i kamenje iz radnog područja pre nego što počnete da koristite proizvod.
- Predmeti koji udare o opremu za košenje mogu da budu izbačeni i izazovu povredu osoba ili oštećenje predmeta. Pazite da prisutne osobe i životinje budu na bezbednoj udaljenosti od proizvoda.
- Nikada nemojte koristiti proizvod u lošim vremenskim uslovima kao što su magla, kiša, jak vetar, intenzivna hladnoća i kada postoji opasnost od pojave munja. Korišćenje proizvoda u lošim vremenskim uslovima ili na vlažnim lokacijama je zamorno. Loši vremenski uslovi mogu da izazovu opasne okolnosti, kao što su klizave površine.
- Vodite računa o osobama, predmetima i situacijama koji bi mogli da spreče bezbedan rad proizvoda.
- Pazite na prepreke, kao što su korenje, kamenje, grančice, jame i jarci. Visoka trava može da sakrije prepreke.
- Košenje trave na nagibima može biti opasno. Nemojte koristiti proizvod na terenu koji ima nagib veći od 15°.
- Rukujte proizvodom preko prednjih strana nagiba. Nemojte ga pomerati gore i dole.
- Budite pažljivi kada se približavate skrivenim uslovima i predmetima koji bi mogli da blokiraju vaš vidik.

Bezbednost na radu



UPOZORENJE: Pročitajte upozoravajuća uputstva koja slede pre korišćenja proizvoda.

- Koristite ovaj proizvod samo za košenje travnjaka. Nije dozvoljeno njegovo korišćenje za druge zadatke.
- Koristite ličnu zaštitnu opremu. Pogledajte *Lična zaštitna oprema na stranici 362*.
- Naučite kako da brzo zaustavite motor u slučaju opasnosti.
- Nemojte da pokrećete motor u zatvorenom prostoru ili blizu zapaljivih materijala. Izduvni gasovi motora su vrel i mogu da sadrže varnice, što može izazvati požar.
- Nemojte raditi sa proizvodom ako sečivo i svi poklopci nisu pravilno postavljeni. Nepravilno postavljeno sečivo se može otkaćiti i prouzrokovati telesnu povredu.
- Pobrinite se da sečivo ne udara o predmete kao što su kamenje ili korenje. To može dovesti do oštećenja noža i savijanja osovine motora. Savijena osovina

proizvodi velike vibracije i postoji povećana opasnost da se sečivo olabavi.

- Ako sečivo udari o predmet ili ako se pojave vibracije, odmah zaustavite proizvod. Uklonite kabl za paljenje sa svećice. Pregledajte proizvod u pogledu oštećenja. Otklonite oštećenja ili dozvolite ovlašćenom servisnom agentu da izvrši popravku.
- Nemojte postavljati ručicu kočnice motora trajno na ručku kada je motor pokrenut.
- Postavite proizvod na stabilnu, ravnu površinu i pokrenite ga. Vodite računa da sečivo ne dodiruje tlo ili druge predmete.
- Uvek stojte iza proizvoda kada radite sa njim.
- Vodite računa da svi točkici ostanu na tlu i držite dve ruke na ručki kada rukujete proizvodom. Udaljite šake i stopala od rotirajućih sečiva.
- Nemojte naginjati proizvod kada je motor pokrenut.
- Budite pažljivi kada povlačite proizvod unazad.
- Nikada nemojte podizati proizvod kada je motor pokrenut. Ako morate da podignete proizvod, prvo isključite motor i odvojte kabl za paljenje sa svećice.
- Nemojte hodati unazad kada radite sa proizvodom.
- Zaustavite motor kada se krećete preko područja bez trave, na primer, stazica napravljenih od šljunka, kamena i asfalta.
- Ne trčite sa proizvodom ako mu radi motor. Uvek hodajte kada radite sa proizvodom.
- Zaustavite motor pre nego što promenite visinu košenja. Nikada nemojte da vršite podešavanja dok je motor pokrenut.
- Nikada nemojte dozvoliti da proizvod ostane bez nadzora dok je motor pokrenut. Zaustavite motor i uverite se da se oprema za košenje ne okreće.

Bezbednosna uputstva za rad

Lična zaštitna oprema



UPOZORENJE: Pročitajte upozoravajuća uputstva koja slede pre korišćenja proizvoda.

- Lična zaštitna oprema ne može da u potpunosti spreči telesnu povredu, ali ona umanjuje stepen telesne povrede ako dođe do nesrećnog slučaja. Neka vam vaš prodavac pomogne u izboru odgovarajuće opreme.
- Koristite zaštitu za uši ako je nivo buke iznad 85 dB.
- Nosite čvrste neklizajuće cizme ili cipele. Nemojte nositi obuću sa otvorenim prstima ili ići bosonogi.
- Uvek nosite duge pantalone od čvrstog materijala.
- Nosite zaštitne rukavice po potrebi, na primer, kada pričvršćujete, pregledate ili čistite opremu za košenje.

Bezbednosni uređaji na proizvodu



UPOZORENJE: Pročitajte upozoravajuća uputstva koja slede pre korišćenja proizvoda.

- Nemojte da koristite proizvod sa bezbednosnim uređajima koji su oštećeni ili neispravni.
- Redovno proveravajte bezbednosne uređaje. Ako su bezbednosni uređaji oštećeni ili neispravni, obratite se Husqvarna servisnom centru.
- Nemojte vršiti izmene na bezbednosnim uređajima.

Provera poklopcu mehanizma za košenje

Poklopac mehanizma za košenje smanjuje vibracije u proizvodu, kao i rizik od povrede nožem.

- Pregledajte poklopac košenja kako biste se uverili da nema oštećenja kao što su naprsline.

Akumulator (LB 244E)



UPOZORENJE: Oštećen akumulator smanjuje bezbednost proizvoda. Koristite samo akumulator koji je odobrio proizvođač.

Akumulator napaja električni starter i predstavlja bezbednosni uređaj koji sprečava slučajno pokretanje. Izvadite akumulator kad ne koristite proizvod i kad ga ostavljate bez nadzora.

Provera ručice kočnice motora

Ručica kočnice motora zaustavlja motor. Kada je ručica kočnice motora otpuštena, motor se zaustavlja.

- Pokrenite motor, a zatim otpustite ručicu kočnice motora. Ako se motor ne zaustavi u roku od 3 sekunde, neka ovlašćeni Husqvarna serviser izvrši podešavanje kočnice motora. (Sl. 19)

Prigušivač

Prigušivač održava nivo buke na minimumu i šalje izduvne gasove dalje od rukovaoca.

Ne koristite proizvod ako prigušivač nedostaje ili je oštećen. Oštećeni prigušivač povećava nivo buke i rizik od požara.



UPOZORENJE: Prigušivač postaje veoma vruć tokom i nakon korišćenja i kada motor radi pri brzini praznog hoda. Budite pažljivi u blizini zapaljivih materijala i/ili isparenja kako biste sprečili požar.

Da biste proverili prigušivač

- Redovno proveravajte prigušivač kako biste se uverili da je ispravno postavljen i da nije oštećen.

Bezbednosne mere u vezi sa gorivom



UPOZORENJE: Pročitajte upozoravajuća uputstva koja slede pre korišćenja proizvoda.

- Nemojte pokretati proizvod ako na njemu postoje tragovi goriva ili motornog ulja. Uklonite neželjeno gorivo/ulje i sačekajte da se proizvod osuši.
- Ako prospete gorivo na odeću, odmah je presvucite.
- Nemojte dozvoliti da gorivo dospe na vaše telo, ono može izazvati telesnu povredu. Ako vam gorivo dospe na telo, uklonite ga vodom i sapunom.
- Nemojte pokretati proizvod ako postoji curenje iz motora. Redovno proveravajte da li motor curi.
- Budite oprezni pri radu sa gorivom. Gorivo je zapaljivo a isparenja su eksplozivna i mogu izazvati telesne povrede ili smrt.
- Nemojte udisati isparenja goriva, to može izazvati telesnu povredu. Pobrnite se da ima dovoljno protoka vazduha.
- Nemojte da pušite u blizini goriva ili motora.
- Nemojte stavljati vruće predmete blizu goriva ili motora.
- Nemojte dolivati gorivo kada motor radi.
- Uverite se da je motor hladan pre dopunjavanja goriva.
- Pre dopunjavanja goriva, polako otvorite poklopac rezervoara za gorivo i pažljivo otpustite pritisak.
- Nemojte dolivati gorivo u motor u zatvorenom prostoru. Nedovoljan protok vazduha može da izazove povrede ili smrt zbog gušenja ili trovanja ugljen-monoksidom.
- Do kraja zategnite čep rezervoara za gorivo. Ako čep rezervoara za gorivo nije zategnut, postoji opasnost od požara.
- Izmaknite proizvod bar 3 m / 10 stopa od mesta na kojem ste napunili rezervoar pre pokretanja.
- Ne punite rezervoar za gorivo do vrha. Toplota izaziva širenje goriva. Ostavite prostora pri vrhu rezervoara za gorivo.
- Nikad nemojte da skladištite proizvod sa gorivom u rezervoaru za gorivo unutar zgrade gde su prisutni izvori paljenja kao što su kotlovi za zagrevanje vode, kotlovi za zagrevanje prostorija ili sušilice za odeću. Sačekajte da se motor ohladi pre skladištenja u zatvorenom prostoru.

Bezbednosna uputstva za održavanje



UPOZORENJE: Pročitajte upozoravajuća uputstva koja slede pre korišćenja proizvoda.

- Izduvni gasovi iz motora sadrže ugljen-monoksid, otrovan i veoma opasan gas bez mirisa. Nemojte puštati motor u rad u zatvorenim prostorima.

- Pre održavanja proizvoda zaustavite motor i uklonite kabl za paljenje sa svećice. Uklonite akumulator i na LB 244E.
- Nosite zaštitne rukavice kada vršite održavanje na opremi za košenje. Sečivo je veoma oštro i lako dolazi do posekotine.
- Oprema i izmene na proizvodu koji nisu odobreni od strane proizvođača mogu da izazovu teške telesne povrede ili smrt. Nemojte vršiti izmene na proizvodu. Koristite samo delove koje je odobrio proizvođač.
- Ako se održavanje ne vrši na ispravan način i redovno, raste rizik od telesnih povreda i oštećenja proizvoda.
- Vršite samo održavanja opisana u ovom korisničkom uputstvu. Ostalo servisiranje mora da obavlja ovlašćeni Husqvarna serviser.
- Neka ovlašćeni Husqvarna servisni agent redovno vrši servisiranja proizvoda.
- Zamenite oštećene, pohabane ili pokvarene delove.

Sklopavanje

Uvod



UPOZORENJE: Pre sklopavanja proizvoda, morate pročitati i razumeti poglavlje o bezbednosti.



UPOZORENJE: Uklonite kabl svećice sa svećice pre sklopavanja proizvoda.

Sklopavanje ručke

1. Povucite ručku unazad dok ne dođe do krajnjeg položaja. (Sl. 20)

2. Pritegnite točkice ručke. (Sl. 21)

Podešavanje visine ručke

1. Proverite da li je pritiskivač za podešavanje visine postavljen u žleb. Pritisnite pritiskivač za podešavanje visine stopalom ako nije postavljen u žleb. (Sl. 22)
2. Nogom pritisnite pritiskivač za podešavanje visine.
3. Postavite upravljač u ispravnu poziciju i pustite upravljač. (Sl. 23)

Rukovanje

Uvod



UPOZORENJE: Pre rada sa proizvodom, morate pročitati i razumeti poglavlje o bezbednosti.

Husqvarna Connect

Husqvarna Connect je besplatna aplikacija za mobilne uređaje. Aplikacija Husqvarna Connect pruža proširene funkcije za proizvod Husqvarna:

- Dodatne informacije o proizvodu.
- Informacije o delovima proizvoda i servisiranju i pomoći u vezi s njima.

Da biste počeli koristiti Husqvarna Connect

1. Preuzmite aplikaciju Husqvarna Connect na svoj mobilni uređaj.
2. Registrirajte se u aplikaciji Husqvarna Connect.
3. Pratite uputstva u aplikaciji Husqvarna Connect da biste se spojili i registrovali proizvod.

Pre rada sa proizvodom

1. Pažljivo pročitajte korisničko uputstvo i budite sigurni da razumete njegov sadržaj.

2. Pregledajte opremu za košenje i uverite se da je pravilno postavljena i podešena. Pogledajte *Pregled opreme za košenje na stranici 367*
3. Proverite nivo ulja i dopunite motornim uljem ako je potrebno. Pogledajte *Provera nivoa ulja na stranici 367*
4. Napunite rezervoar za gorivo. Pogledajte *Dosipanje goriva na stranici 364*

Dosipanje goriva

Ako je dostupan, koristite benzin sa malom količinom emisija / alkilatni benzin. Ako vam benzin sa malom količinom emisija / alkilatni benzin nije dostupan, koristite kvalitetni bezolovni benzin ili benzin sa olovom čiji oktanski broj nije manji od 91.



OPREZ: Ne koristite benzin čiji je oktanski broj manji od 91 RON. To može da ošteti proizvod.



OPREZ: Menjajte filter za gorivo jednom godišnje ili češće ako je potrebno. Novi filter za gorivo možete da nabavite kod svog Husqvarna prodavca.



OPREZ: Uvek zaustavite motor pre sipanja goriva.



OPREZ: Ne koristite tečnosti za startovanje pod pritiskom.

1. Polako otvorite čep rezervoara za gorivo da biste izjednačili pritisak.
2. Polako napunite iz kanistera za gorivo. Ako prospete gorivo, obrišite ga krpom i sačekajte da se preostalo gorivo osuši. (Sl. 24)
3. Obrišite deo oko čepa rezervoara za gorivo.
4. Do kraja zategnite čep rezervoara za gorivo. Ako čep rezervoara za gorivo nije zategnut, postoji opasnost od požara.
5. Izmaknite proizvod bar 3 m / 10 stopa od mesta na kojem ste napunili rezervoar pre pokretanja.

Stavljanje proizvoda u položaj za rad

1. Sklopite ručku. Pogledajte *Sklopanje ručke na stranici 364*.
2. Podesite visinu ručke. Pogledajte *Podešavanje visine ručke na stranici 364*.



OPREZ: Uverite se da kablovi nisu previše zategnuti. Prevelika zategnutost može da ošteti kabl ako se ručka savije u položaj za transport.



UPOZORENJE: Ne koristite proizvod ako ručka nije potpuno otvorena i postavljena u jedan od datih položaja za visinu. Pogledajte *Podešavanje visine ručke na stranici 364*.

Podešavanje visine košenja

Visina košenja se može podesiti u šest koraka.

1. Zaustavite motor.
2. Pomerite polugu visine košenja unazad da biste povećali visinu košenja. (Sl. 25)
3. Pomerite polugu visine košenja unapred da biste smanjili visinu košenja.



OPREZ: Nemojte postavljati visinu košenja suviše nisko. Sečiva mogu da udare o tlo ako površina travnjaka nije ujednačena.

Pokretanje proizvoda

- Proverite da li je kabl za paljenje povezan sa sećicom.

Ručno pokretanje (LB 144)

1. Stanite iza proizvoda.
2. Držite ručicu kočnice motora naspram gornje ručice. (Sl. 26)
3. Držite ručicu užeta startera desnom rukom.
4. Lagano izvlačite užu startera dok ne osetite otpor.
5. Snažno povucite da biste pokrenuli motor.



UPOZORENJE: Nemojte namotavati užu startera oko ruke.

Električno pokretanje (LB 244E)

1. Uverite se da je baterija napunjena. Pogledajte *Održavanje akumulatora (LB 244E) na stranici 368*.
2. Spojite akumulator sa motorom. Baterija je u dobrom položaju kad čujete klik. (Sl. 27)
3. Stanite iza proizvoda i držite ručicu kočnice motora (A) naspram gornje ručice. (Sl. 28)
4. Pritisnite i zadržite 3-5 sekundi dugme električnog startera (B). Motor će se pokrenuti.

Napomena: Ako se motor ne pokrene, sačekajte 1 minut pa ponovite postupak.

Zaustavljanje proizvoda

- Da biste zaustavili motor, pustite ručicu kočnice motora.

Uklanjanje akumulatora (LB 244E)

Da biste sprečili neželjeno startovanje motora, uklonite akumulator ako ne koristite proizvod.

- Pritisnite dugme za zaključavanje (A) i izvucite akumulator. (Sl. 29)

Za dobre rezultate

- Uvek koristite oštro sečivo. Tupo sečivo daje neujednačeni rezultat i pokošena površina trave postaje žuta. Oštro sečivo takođe koristi manje energije nego tupo sečivo.
- Nemojte kositi više od 1/3 dužine trave. Prvo kosite sa visokom visinom košenja. Pregledajte rezultat i spustite visinu košenja na prihvatljivi nivo. Ako je trava zaista visoka, vozite polako i kosite dvaput ako bude potrebno.
- Kosite u različitim smerovima svaki put da biste izbegli pruge na travnjaku.
- Poklopac košenja mora da bude čist. Naslage trave i prljavaštine s unutarnje strane poklopca košenja mogu da umanje rezultate košenja. Pogledajte *Čišćenje unutrašnje površine poklopca mehanizma za košenje na stranici 367*

Održavanje

Uvod



UPOZORENJE: Pre održavanja, morate pročitati i razumeti poglavlje o bezbednosti.

Za sva servisiranja i popravke proizvoda, potrebna je specijalna obuka. Garantujemo dostupnost stručnih popravki i servisiranja. Ako vaš prodavac nije servisni agent, obratite mu se za informacije o najbližem servisnom agentu.

Za detaljnije informacije pogledajte www.husqvarna.com.

Šema održavanja



OPREZ: Uverite se da je filter za vazduh podignut, a ne pritisnut na tlo kad nagnete proizvod. Opasnost od oštećenja motora.



OPREZ: Kod modela sa električnim pokretanjem, izvadite akumulator pre održavanja, popravke i čišćenja proizvoda.

Intervali održavanja su izračunati na osnovu svakodnevnog korišćenja proizvoda. Intervali se menjaju ako se proizvod ne koristi svakodnevno.

Za održavanja obeležena znakom *, pogledajte uputstva u *Bezbednosni uređaji na proizvodu na stranici 363*.

Održavanje	Dnevno	Mesečno	Svaka sezona
Izvršite generalni pregled	X		
Proverite nivo ulja	X		
Zamenite ulje (prvi put posle 5 sati rada, a zatim posle svakih 50 sati rada) ¹⁶²			X
Očistite proizvod	X		
Očistite područje oko pritiskivača za podešavanje visine	X		
Pregledajte opremu za košenje	X		
Pregledajte poklopac košenja *	X		
Pregledajte ručicu kočnice motora *	X		
Pregledajte auspuh *		X	
Proverite svećicu. Očistite ili zamenite svećicu ako je potrebno			X
Pregledajte filter za vazduh	X		
Očistite filter za vazduh ¹⁶³		X	
Zamenite filter za vazduh			X
Pregledajte sistem za gorivo			X
Očistite rebra za hlađenje na cilindru		X	

¹⁶² Ako proizvod radi pod teškim opterećenjem ili u okruženju sa visokom temperaturom, zamenite motorno ulje posle svakih 25 sati rada.

¹⁶³ Čistite ga češće ako ima dosta prašine ili lebdećih otpadaka. Zamenite filter za vazduh ako je dosta zaprljan.

Vršenje opšteg pregleda

- Uverite se da su sve navrtke i zavrtnji na proizvodu ispravno pritegnuti.

Čišćenje proizvoda spolja

- Uklonite lišće, travu i prljavštinu pomoću četke.
- Uverite se da ulaz vazduha na vrhu motora nije blokirano.
- Nemojte da koristite čistač pod visokim pritiskom za čišćenje proizvoda.
- Ako koristite vodu za čišćenje proizvoda, ne polivajte motor.

Čišćenje područja oko pritiskivača za podešavanje visine

- Uklonite lišće, travu i prljavštinu pomoću četke. (Sl. 30)

Čišćenje unutrašnje površine poklopca mehanizma za košenje

1. Ispraznite rezervoar za gorivo.
2. Nagnite proizvod. Postarajte se da je svećica okrenuta nagore.



OPREZ: Ako se proizvod spusti tako da je filter za vazduh dole, motor može da se ošteti.

3. Isperite unutrašnju stranu poklopca mehanizma za košenje vodom iz creva.

Pregled opreme za košenje



UPOZORENJE: Da biste sprečili neželjeno pokretanje, uklonite kabl za paljenje sa svećice.



UPOZORENJE: Nosite zaštitne rukavice kada vršite održavanje na opremi za košenje. Sečivo je veoma oštro i lako dolazi do posekotina.

1. Pregledajte opremu za košenje u pogledu oštećenja ili naprslina. Uvek zamenite oštećenu opremu za košenje.
2. Pregledajte sečivo da biste videli je li oštećeno ili tupo.

Napomena: Nakon oštrenja sečiva potrebno ga je balansirati. Neka servisni centar naoštiri, zameni i balansira sečivo. Ako udarite o prepreku nakon čega se proizvod zaustavi, zamenite oštećeno sečivo. Neka servisni centar odredi da li sečivo može da se naoštiri ili mora da se zameni.

Zamena noža

1. Blokirate nož pomoću komada drveta. (Sl. 31)
2. Uklonite zavrtnj sečiva i opružnu podlošku.
3. Uklonite nož.
4. Pregledajte nosač noža i vijak noža kako biste videli postoje li oštećenja.
5. Pregledajte osovinu motora kako biste se uverili da nije savijena.
6. Kada postavite nov nož, usmerite savijene krajeve noža u smeru poklopca košenja. (Sl. 32)
7. Pobrinite se da je nož poravnat sa sredinom osovine motora.
8. Blokirate nož pomoću komada drveta. Postavite opružnu podlošku i zategnite vijak i podlošku na moment pritezanja od 44-46 Nm. (Sl. 33)
9. Povucite nož rukom da biste proverili da li se slobodno okreće.



UPOZORENJE: Nosite čvrste rukavice. Nož je veoma oštar i lako dolazi do posekotina.

10. Pokrenite proizvod kako biste testirali nož. Ako nož nije ispravno postavljen, pojavice se vibriranje proizvoda ili rezultat košenja neće biti zadovoljavajući.

Provera nivoa ulja



OPREZ: Previše nizak nivo ulja može da ošteti motor. Proverite nivo ulja pre pokretanja proizvoda.

1. Stavite proizvod na ravno tlo.
2. Uklonite poklopac rezervoara za ulje i šipku za merenje.
3. Obrišite ulje na šipki za merenje.
4. Ugurajte šipku za merenje do kraja u rezervoar ulja.
 - a) Nemojte da stavljati poklopac rezervoara za ulje na LB 144.
 - b) Stavite poklopac rezervoara za ulje na LB 244E.
5. Uklonite poklopac rezervoara ulja i merač.
6. Očitajte nivo ulja na šipci za merenje.
7. Ako je nivo ulja nizak, dospite motorno ulje i ponovo proverite nivo. (Sl. 34)

Napomena: Koristite levak da biste sprečili prospanje.

8. Postavite rezervoar za ulje kada nivo ulja bude pravilan.

Zamena motornog ulja



UPOZORENJE: Motorno ulje je vrelo neposredno nakon zaustavljanja motora. Pustite da se motor ohladi pre odlivanja motornog ulja. Ako prospete motorno ulje na kožu, sperite ga sa tela sapunom i vodom.

(Sl. 35)

1. Ostavite proizvod da radi dok se rezervoar za gorivo ne isprazni.
2. Uklonite kabl za paljenje sa svećice.
3. Uklonite poklopac rezervoara za ulje i šipku za merenje.
4. Stavite posudu za skupljanje ulja ispod proizvoda.
5. Nakrenite proizvod ili ispustite motorno ulje iz rezervoara pomoću pumpe za ulje (dodatna oprema).
6. Sipajte novo motorno ulje tipa preporučenog u *Tehnički podaci na stranici 371*.
7. Proverite nivo ulja. Pogledajte *Provera nivoa ulja na stranici 367*.
8. Postavite poklopac rezervoara za ulje kada nivo ulja bude pravilan.

Filter za vazduh

Prljav filter za vazduh može da izazove kvar na motoru ili njegov nepravilan rad. Održavajte filter za vazduh češće ako radite na lokaciji sa dosta prašine. Pogledajte *Šema održavanja na stranici 366* ako vam je potrebno više informacija o tome kada se menja filter za vazduh.

Napomena: Uvek zamenite oštećeni filter za vazduh.

Uklanjanje i postavljanje filtera za vazduh (LB 244E)



UPOZORENJE: Koristite zaštitne rukavice.

1. Gurnite spojnice poklopca filtera za vazduh.
2. Pažljivo skinite poklopac filtera za vazduh (A) sa motora.
3. Uklonite filter za vazduh (B). (Sl. 36)
4. Proverite da li je filter za vazduh oštećen. Zamenite oštećeni filter za vazduh.
5. Očistite i pregledajte filter za vazduh. Pogledajte *Čišćenje filtera za vazduh (LB 244E) na stranici 368*
6. Postavite obrnutim redosledom.

Čišćenje filtera za vazduh (LB 244E)

Prljav filter za vazduh može da izazove kvar na motoru ili njegov nepravilan rad. Održavajte filter za vazduh češće ako radite na lokaciji sa dosta prašine.

Pogledajte *Šema održavanja na stranici 366* ako vam je potrebno više informacija o tome kada se menja filter za vazduh.

1. Skinite poklopac filtera za vazduh i izvadite filter.
2. Očistite filter tako što ćete njime udariti o ravnu površinu. Za čišćenje filtera nemojte koristiti rastvarač koji sadrži benzin, npr. kerozin, ili komprimovani vazduh.

Napomena: Dugo korišćeni filteri za vazduh ne mogu potpuno da se očiste. Redovno menjajte filter za vazduh. Oštećene filtere za vazduh obavezno zamenite.

3. Kad postavljate filter za vazduh, proverite da li potpuno naleže na držač filtera.

Čišćenje filtera od plastične pene (LB 144)



OPREZ: Ne pokrećite motor bez filtera za vazduh.. Habanje motora povećava se ako je zrak zaprljan.

1. Uklonite poklopac filtera za vazduh (A). (Sl. 37)
2. Uklonite filter od plastične pene (B).



OPREZ: Proverite ima li na filterima od plastične pene znakova habanja ili oštećenja. Zamenite sve oštećene filtere od plastične pene.

3. Očistite filtere od plastične pene sapunom i vodom.
4. Isperite filtere od plastične pene čistom vodom.
5. Iscedite vodu iz filtera od plastične pene i ostavite ih da se osuše.



OPREZ: Nemojte koristiti komprimovani vazduh. Tako možete da oštetite filter od plastične pene.

6. Podmažite filtere od plastične pene motornim uljem.
7. Pritisnite filter od plastične pene čistom krpom da biste uklonili višak ulja.
8. Postavite filtere od plastične pene. Uverite se da su filteri od plastične pene do kraja nalegli na držač filtera za vazduh.
9. Postavite poklopac filtera za vazduh.

Održavanje akumulatora (LB 244E)

Održavanje akumulatora je besplatno. U slučaju da je potrebno, servisiranje akumulatora obavlja se isključivo u ovlašćenom servisnom centru.

Prvo korišćenje akumulatora (LB 244E)



OPREZ: Nemojte da dozvolite da se akumulator isprazni. Ako se akumulator isprazni, može se oštetiti.

Napunite akumulator pre prvog korišćenja.

1. Uključite punjač u akumulator, pogledajte *Punjenje akumulatora (LB 244E) na stranici 369.*
2. Sačekajte da zasvetli bar 1 zeleni LED indikator.
3. Spojite akumulator sa motorom, pogledajte *Električno pokretanje (LB 244E) na stranici 365.*

Punjenje akumulatora (LB 244E)

Ako sija 1 ili ne sija nijedan indikator na akumulatoru, treba ga napuniti. Punjenje praznog akumulatora traje 2 sata. Ako ga budete punili kraće od toga, akumulator se neće oštetiti.

1. Povežite punjač akumulatora sa akumulatorom. (Sl. 38)
2. Uključite punjač akumulatora u strujnu utičnicu, 100–240 V, 50–60 Hz.
3. Najpre isključite punjač iz strujne utičnice, a zatim ga isključite iz akumulatora.

Status pri punjenju akumulatora

LED lampice na akumulatoru	Status
LED br. 1 treperi crveno.	1%–9%
LED br. 1 neprestano svetli crveno.	10%–32%
LED br. 1 je zelene, a LED br. 2 crvene boje.	33%–54%
LED br. 1 i 2 su zelene, a LED br. 3 crvene boje.	55%–77%
LED br. 1, 2 i 3 su zelene, a LED br. 4 crvene boje.	78%–100%

Lampica na punjaču akumulatora	Status
Neprekidno crveno svetlo	Akumulator se puni.
Neprekidno zeleno svetlo	Akumulator je potpuno napunjen.

Pregled svećice



OPREZ: Uvek upotrebljavajte preporučeni tip svećice. Neodgovarajući tip svećice može da ošteti proizvod.

- Pregledajte svećicu ako je snaga motora mala, ako se teško pokreće ili nepravilno radi u praznom hodu.
- Da biste smanjili rizik od nakupljanja neželjenog materijala na elektrodama svećice, poštujujte sledeća uputstva:
 - a) Uverite se da je broj obrtaja na praznom hodu pravilno podešen.
 - b) Uverite se da je mešavina dobro napravljena.
 - c) Uverite se da je filter za vazduh čist.
- Ako je svećica prljava, očistite je i ujedno proverite da li je razmak između elektroda tačan, pogledajte *Tehnički podaci na stranici 371.* (Sl. 39)
- Zamenite svećicu ako je potrebno.

Pregled sistema za gorivo

- Pogledajte da li su poklopac rezervoara za gorivo i njegova zaptivka oštećeni.
- Pogledajte da li crevo za gorivo curi. Ako je crevo za gorivo oštećeno, neka ga serviser zameni.

Pražnjenje rezervoara za gorivo

1. Stavite posudu ispod rezervoara za gorivo.
2. Skinite poklopac sa rezervoara za gorivo.
3. Pritisnite spojnice na crevu za gorivo na karburator.
4. Uklonite crevo za gorivo sa karburatora.
5. Stavite crevo rezervoara za gorivo u posudu i skinite spojnice creva.
6. Nagnite proizvod i ispraznite gorivo u posudu.

Zamena filtera za gorivo



UPOZORENJE: Koristite zaštitne rukavice.

1. Ispraznite rezervoar za gorivo.
2. Sklonite spojnicu creva od rezervoara za gorivo. (Sl. 40)
3. Izvadite crevo za gorivo iz rezervoara za gorivo. Mala količina goriva može da iscuri. (Sl. 41)
4. Skinite filter za gorivo sa rezervoara za gorivo. (Sl. 42)
5. Stavite novi filter za gorivo u rezervoar za gorivo.
6. Zakačite crevo za gorivo na rezervoar za gorivo.
7. Stavite spojnicu creva na položaj na rezervoaru za gorivo.

Rešavanje problema sa motorom

Problem	Mogući uzrok	Rešenje
Motor ne može da se pokrene.	Kabl za paljenje nije ispravno povezan.	Povežite kabl za paljenje sa svećicom.
	Rezervoar za gorivo je prazan.	Napunite rezervoar za gorivo odgovarajućim tipom goriva.
	Gorivo je staro.	Ispraznite rezervoar za gorivo i karburator. Sipajte nov benzin.
	Prljavština u karburatoru ili vodu goriva.	Očistite karburator i/ili vod goriva.
	Svećica je oštećena.	Podesite zazor elektroda i očistite ili zamenite svećicu.
	Svećica je zamašćena.	Očistite svećicu.
Motor ne može da se zaustavi.	Mehanizam za zaustavljanje ne radi pravilno.	Isključite kabl za paljenje iz svećice. Preпустите овлашћеном сервисеру поправку производа.
Motor ne radi mirno.	Kabl za paljenje nije ispravno povezan.	Povežite kabl za paljenje sa svećicom.
	Prljavština se nakupila u vodu goriva ili je istekao rok trajanja goriva.	Očistite vod goriva. Napunite rezervoar za gorivo novim gorivom odgovarajućeg tipa.
	Poklopac rezervoara za gorivo je zapušten.	Očistite poklopac rezervoara za gorivo.
	U sistemu za gorivo ima vode ili prljavštine.	Ispraznite rezervoar za gorivo. Napunite rezervoar za gorivo novim gorivom odgovarajućeg tipa.
	Filter za vazduh je zaprljan.	Očistite filter za vazduh.
	Potrebno je podesiti karburator.	Karburator može da podesi isključivo сервисер.
Motor se prekomerno zagreva.	Nivo motornog ulja je prenizak.	Sipajte motorno ulje.
	Protok vazduha nije dovoljan.	Očistite filter za vazduh i kućište filtera za vazduh.
	Potrebno je podesiti karburator.	Karburator može da podesi isključivo сервисер.
Javlja se zastoj kada motor radi pri velikoj brzini.	Zazor elektroda u svećici je premali.	Podesite zazor elektroda.
Neuobičajena buka dopire iz motora tokom normalnog opterećenja.	Pogrešan tip benzina.	Ispraznite rezervoar za gorivo i karburator. Sipajte nov benzin. Pogledajte <i>Prehled sistema za gorivo na stranici 369</i> . Ako se problem i dalje javlja, obratite se lokalnom сервисеру.

Problem	Mogući uzrok	Rešenje
Motor ne radi mirno u praznom hodu.	Svećica je zaprljana, oštećena ili je zazor elektroda prevelik.	Podesite zazor elektroda ili zamenite svećicu.
	Potrebno je podesiti karburator.	Podesite karburator.
	Filter za vazduh je zaprljan.	Očistite filter za vazduh.

Transport, skladištenje i odlaganje

Transport i skladištenje

- Uverite se da pri skladištenju i transportu proizvoda i goriva nema isparavanja i curenja iz proizvoda. Varnice i otvoren plamen, na primer iz električnih uređaja i bojlera, može da zapali požar.
- Uvek koristite odobrene kanistere za čuvanje i transport goriva.
- Ispraznite rezervoar za gorivo pre dužeg skladištenja proizvoda. Gorivo odbacujte na odgovarajućoj lokaciji za odbacivanje
- Da biste sprečili nezgode i oštećenja, dobro fiksirajte proizvod prilikom transporta.
- Čuvajte proizvod u zaključanoj prostoriji da biste sprečili neodobren pristup deci i drugim osobama.
- Čuvajte proizvod na suvom mestu bez mraza.

Stavljanje proizvoda u položaj za transport

1. Pustite točkice ručice. (Sl. 43)
2. Preklopite ručku napred dok ne dođe do krajnjeg položaja. (Sl. 44)

Transport i skladištenje akumulatora i punjača

- Nemojte da vadite akumulator dok se proizvod ne zaustavi i ohladi. Da biste izvadili akumulator, pritisnite i zadržite dugme na vrhu akumulatora i izvadite akumulator iz ležišta.
- Ako će skladištenje trajati duže od 30 dana, napunite akumulator dok više od 3 lampice ne budu zelene.

- Napunite akumulator jednom na svaka 3 meseca da biste sprečili oštećenje akumulatora.
- Akumulator i punjač akumulatora moraju da se čuvaju na temperaturi između 5 °C i 40 °C. Više temperature ili izvori visoke temperature, kao što je vatra, mogu da izazovu oštećenje akumulatora.
- Nemojte rasklapati akumulator.
- Ne potapajte akumulator u vodu. Čuvajte akumulator na hladnom i suvom mestu sa dobrim protokom vazduha.
- Ako se iz akumulatora oseća neprijatan miris, ako je vruć ili se deformiše usled temperature u toku rada, skladištenja ili punjenja, uklonite akumulator i nemojte da ga koristite.
- Vodite računa da akumulator ili punjač akumulatora budu pričvršćeni tokom transporta da biste sprečili oštećenje.
- Vodite računa da se punjač akumulatora ne pregrije.

Odlaganje

- Pratite lokalne zakone i propise o reciklaži.
- Sve hemikalije, kao što su motorno ulje i antifriz, odbacujte u servisnom centru ili na odgovarajućem mestu za odbacivanje.
- Kad rashodujete proizvod, pošaljite ga Husqvarna prodavcu ili ga odnesite na odgovarajuće mesto za reciklažu.
- Pošaljite akumulator servisnom centru ili ga odbacite na mestu predviđenom za istrošene akumulateore.

Tehnički podaci

Tehnički podaci

	LB 144	LB 244E
Motor		
Marka	Husqvarna	Husqvarna

	LB 144	LB 244E
Model	HS 123A	HS 139AE
Tip motora	Jedan cilindar, 4-taktni, aktivno vazdušno hlađenje, OHV	Jedan cilindar, 4-taktni, aktivno vazdušno hlađenje, OHV
Zapremina cilindra, cm ³	123	139
Brzina motora – nominalna, o/min	3000/min	2900/min
Nominalna izlazna snaga motora, kW ¹⁶⁴	1,95	2,2
Sistem paljenja		
Svećica	Husqvarna HQT-7	Husqvarna HQT-7
Zazor elektroda, mm	0,7-0,8	0,7-0,8
Sistem za gorivo i podmazivanje		
Tip podmazivanja motora	Prskanje	Prskanje
Kapacitet rezervoara za gorivo, l	0,9	0,9
Kapacitet rezervoara za ulje, l	0,5	0,5
Motorno ulje ¹⁶⁵	Husqvarna SAE 30, Husqvarna sintetičko SAE 5W-30, Husqvarna SAE 10W-40	Husqvarna SAE 30, Husqvarna sintetičko SAE 5W-30, Husqvarna SAE 10W-40
Težina		
Sa praznim rezervoarima, kg	22	23,5
Emisije buke ¹⁶⁶		
Nivo zvučne snage, mereno u dB (A)	91	92
Nivo zvučne snage, garantovano L _{WA} dB (A)	94	94
Nivoi zvuka ¹⁶⁷		
Nivo zvučnog pritiska na uho rukovaoca, dB (A)	79	80
Nivoi vibracije ¹⁶⁸		
Vibracije gornje ručice, m/s ²	7,6	6,0
Oprema za košenje		
Visina košenja, mm	25–75	25–75

¹⁶⁴ Naznačena snaga motora je prosečna neto izlazna snaga (pri navedenim obrtajima u minutu) tipičnog proizvodnog motora za model motora izmerena prema SAE standardu J1349/ISO1585. Vrednost motora iz masovne proizvodnje može da se razlikuje. Stvarna izlazna snaga postavljenog motora na proizvodu će zavistiti od radne brzine, uslova u okruženju i drugih vrednosti.

¹⁶⁵ Koristite motorno ulje kvaliteta API SJ ili višeg. Ako se ulje SAE-30 koristi na temperaturama nižim od +5 °C, postoji opasnost da se motor ne podmazuje dovoljno. To može da dovede do oštećenja motora. Pogledajte *Zamena motornog ulja na stranici 368* za odgovarajući tip ulja za niske temperature. Pogledajte tabelu viskoznosti u priručniku motora (ukoliko je uključen) i izaberite najbolju viskoznost na osnovu očekivane temperature okoline.

¹⁶⁶ Emisije buke u životnoj sredini merene kao zvučna snaga (L_{WA}) u skladu sa direktivom 2000/14/EZ.

¹⁶⁷ Prijavljeni podaci za nivo zvučnog pritiska imaju tipičnu statističku disperziju (standardnu devijaciju) od 1,2 dB (A).

¹⁶⁸ Podaci o nivou vibracija imaju tipičnu statističku disperziju (standardnu devijaciju) od 0,2 m/s².

	LB 144	LB 244E
Širina košenja, mm	440	440
Sistem košenja	Bioclip®	Bioclip®
Sečivo – standardno	Usitnjavanje 5464584-10	Usitnjavanje 5464584-10
Sistem za pokretanje		
Električni starter	Ne	Da
Baterija	–	Li-jonski 10,8 V, 21,6 Wh

Deklaracija o usaglašenosti

EU deklaracija o usaglašenosti

Mi, **Husqvarna AB**, SE-561 82 Huskvarna, Švedska, tel: +46-36-146500, izjavljujemo pod punom odgovornošću da je proizvod:

Opis	Kosačica za travu
Marka	Husqvarna
Tip/model	LB 144, LB 244E
Identifikacija	Serijski brojevi od 2023 i nadalje

su u potpunosti usaglašeni sa sledećim EU direktivama i propisima:

Propis	Opis
2006/42/EZ	„koji se odnose na mašine“
2014/30/EU	„koji se odnose na elektromagnetsku kompatibilnost“
2000/14/EZ	„koji se odnose na emisiju buke u okruženju“
2011/65/EU	„koji se odnose na ograničenje upotrebe određenih opasnih supstanci u električnoj i elek-tronskoj opremi“

i da su sledeći standardi i/ili tehničke specifikacije primenjeni: EN ISO 5395-1:2013+A1:2018, EN ISO 5395-2:2013+A1:2016+A2:2017, EN IEC 63000:2018, EN ISO 14982:2009

Ovlašćeno telo: 0404, SMP Svensk Maskinprovning AB, Box 4053, SE-904 03 Umeå, Sweden je sertifikovalo usaglašenost sa direktivom veća 2000/14/EC, postupak za procenu usklađenosti: Aneks VI.

Za informacije o emisiji buke pogledajte *Tehnički podaci na stranici 371*.

Huskvarna, 2023-09-18



Claes Losdal, menadžer razvoja / baštenski proizvodi,
Husqvarna AB

Odgovoran za tehničku dokumentaciju



Innehåll

Introduktion.....	375	Fölsökning av motorn.....	384
Säkerhet.....	376	Transport, förvaring och kassering.....	385
Montering.....	379	Tekniska data.....	386
Drift.....	379	Försäkran om överensstämmelse.....	388
Underhåll.....	380		

Introduktion

Produktbeskrivning

Produkten är en rotorgräsklippare som styrs av en gående person och som använder BioClip för att finfördela gräset till gödning.

Produktöversikt

(Fig. 1)

1. Motorbromsbygel
2. Handtag/styre
3. Startsnörets handtag (LB 144)
4. Klipphöjdsspak
5. Oljelock och mätsticka
6. Ljuddämpare
7. Tändstift
8. Lyfthandtag
9. Höjjusteringsbygel för styret
10. Bränsletankslock
11. Luftfilter
12. Klippkåpa
13. Kniv
14. Fjäderbricka
15. Knivbult
16. Batteri, säkerhetsanordning (LB 244E)
17. Elektrisk startknapp (LB 244E)
18. Bruksanvisning

Symboler på produkten

- (Fig. 2) **WARNING!** Var försiktig och använd produkten på rätt sätt. Den här produkten kan orsaka allvarlig eller livshotande skada för användaren och andra.
- (Fig. 3) Läs igenom bruksanvisningen noggrant och se till att du förstår instruktionerna innan användning.
- (Fig. 4) Akta dig för utslungade föremål och rikoschetter.
- (Fig. 5) Håll alltid människor och djur på säkert avstånd från arbetsområdet.

Avsedd användning

Använd produkten för att klippa gräs. Använd inte produkten till andra uppgifter.

- (Fig. 6) **Varning!** Håll händer och fötter borta från den roterande kniven.
- (Fig. 7) **Varning!** Håll händer och fötter borta från roterande delar.
- (Fig. 8) Stäng av motorn och ta av tändkabeln före reparation eller underhåll.
- (Fig. 9) Produkten överensstämmer med gällande EG-direktiv.
- (Fig. 10) Miljömärkning för bulleremission enligt direktiv och bestämmelser för EU och Storbritannien samt New South Wales-lagen "Protection of the Environment Operations (Noise Control) Regulation 2017". Produktens garanterade ljudeffektnivå anges i *Tekniska data på sida 386* och på etiketten.
- (Fig. 11) Produkten överensstämmer med gällande brittiska direktiv.
- (Fig. 12) Risk för brand.
- (Fig. 13) Undvik att andas in avgaser. Motorns avgaser innehåller kolmonoxid, en luktlös, giftig och mycket farlig gas. Starta inte motorn inomhus eller i slutna utrymmen.
- (Fig. 14) Het yta.
- (Fig. 16) Fyll motorn med olja innan du startar produkten.

(Fig. 17) Startprocedur för LB 144:
Tryck ner motorbromsbygeln
och dra i startsnörets handtag.

(Fig. 18) Startprocedur för LB 244E:
Tryck ner motorbromsbygeln
och tryck på startknappen.

(Fig. 15) Kod som kan skannas.

Notera: Övriga symboler/dekaler på produkten avser specifika krav för certifieringar på andra kommersiella marknader.

Produktskada

Vi ansvarar inte för skador på vår produkt om:

- produkten repareras felaktigt
- produkten repareras med delar som inte kommer från tillverkaren eller inte har godkänts av tillverkaren
- produkten har ett tillbehör som inte kommer från tillverkaren eller inte har godkänts av tillverkaren
- produkten inte repareras vid ett godkänt servicecenter eller av en godkänd person.

Euro V-utsläpp



WARNING: Manipulering av motorn upphäver EG-typgodkännandet för den här produkten.

Säkerhet

Säkerhetsdefinitioner

Varningar, försiktighetsåtgärder och anmärkningar används för att betona speciellt viktiga delar i bruksanvisningen.



WARNING: Används om det finns risk för skador eller dödsfall för användaren eller kringstående om anvisningarna i bruksanvisningen inte följs.



OBSERVERA: Används om det finns risk för skada på produkten, annat material eller det angränsande området om anvisningarna i bruksanvisningen inte följs.

Notera: Används för att ge mer information som är nödvändig i en viss situation.

Allmänna säkerhetsanvisningar



WARNING: Läs varningsinstruktionerna nedan innan du använder produkten.

- Denna produkt är farlig om den används på fel sätt, och om du inte är försiktig. Skada eller dödsfall kan inträffa om du inte följer säkerhetsinstruktionerna.
- Denna produkt alstrar ett elektromagnetiskt fält under drift. Detta fält kan under vissa omständigheter ge påverkan på aktiva eller passiva medicinska implantat. För att reducera risken för omständigheter som kan leda till allvarliga eller livshotande skador rekommenderar vi därför personer med implantat att rådgöra med läkare samt tillverkaren av det medicinska implantatet innan denna produkt används.

- Var alltid försiktig och använd sunt förnuft. Om du inte vet hur du ska använda produkten i en särskild situation ska du stanna den och tala med en Husqvarna-återförsäljare innan du fortsätter.
- Tänk på att användaren kommer att hållas ansvarig för olyckor som involverar andra människor eller deras egendom.
- Håll produkten ren. Se till att du kan läsa skyltar och dekaler tydligt.
- Låt inte någon använda produkten om du inte är säker på att personen har läst och förstår innehållet i bruksanvisningen.
- Låt inte barn använda produkten.
- Håll barn borta från arbetsområdet. En vuxen person måste vara närvarande hela tiden.
- Låt inte en person utan kännedom om instruktionerna använda produkten.
- Övervaka alltid en person med nedsatt fysisk eller mental kapacitet som använder produkten. En vuxen person måste vara närvarande hela tiden.
- Använd aldrig produkten om du är trött, sjuk eller om du är påverkad av alkohol, droger eller läkemedel. Detta har en negativ inverkan på din syn, ditt omdöme och din kroppskontroll.
- Använd inte en produkt som har skador eller inte fungerar korrekt.
- Modifiera aldrig den här produkten och använd den inte om det är möjligt att den har blivit modifierad av andra.
- Ändra inte inställningen för motorns varvtalsreglering.

Säkerhet i arbetsområdet



WARNING: Läs varningsinstruktionerna nedan innan du använder produkten.

- Ta bort föremål som grenar, kvistar och stenar från arbetsområdet innan du använder produkten.
- Objekt som slår mot skärutrustningen kan slungas ut och orsaka skador på personer och föremål. Håll alltid människor och djur på säkert avstånd från produkten.
- Använd aldrig produkten i dåligt väder, som dimma, regn, hård vind, extrem kyla och risk för blixtnedslag. Det är ansträngande att använda produkten i dåligt väder eller på fuktiga eller våta platser. Dåligt väder kan leda till farliga förhållanden, t.ex. hala ytor.
- Håll utkik efter personer, föremål och situationer som kan förhindra säker användning av produkten.
- Håll utkik efter hinder, som rötter, stenar, grenar, gropar och diken. Långt gräs kan dölja hinder.
- Det kan vara farligt att klippa gräs i slutningar. Använd inte produkten i terräng som lutar mer än 15°.
- Klipp tvärs över slutningar. Inte upp och ned.
- Var uppmärksam när du närmar dig dolda hörn och föremål som skymmer sikten.
- Låt alla hjul stå på marken och håll båda händerna på handtaget när du använder produkten. Håll händer och fötter borta från de roterande knivarna.
- Luta inte produkten när motorn är igång.
- Var försiktig när du drar produkten bakåt.
- Lyft aldrig upp produkten när motorn är igång. Om du måste lyfta produkten ska du först stanna motorn och koppla bort tändkabeln från tändstiftet.
- Gå inte baklänges när du använder produkten.
- Stäng av motorn när du rör dig över områden utan gräs, t.ex. gångar av grus, sten och asfalt.
- Spring inte med produkten när motorn är igång. Gå alltid när du använder produkten.
- Stäng av motorn innan du ändrar klipphöjden. Gör aldrig justeringar med motorn igång.
- Lämna aldrig produkten utanför ditt synfält med motorn igång. Stäng av motorn och se till att skärutrustningen inte roterar.

Säkerhetsinstruktioner för drift

Personlig skyddsutrustning



VARNING: Läs varningsinstruktionerna nedan innan du använder produkten.

- Använd enbart den här produkten för att klippa gräsmattor. Det är inte tillåtet att använda den för andra uppgifter.
- Använd personlig skyddsutrustning. Se *Personlig skyddsutrustning på sida 377*.
- Se till att du vet hur man snabbt stoppar motorn i en nödsituation.
- Starta aldrig motorn i ett stängt utrymme eller nära brandfarliga material. Motoravgaserna är heta och kan medföra gnistor som kan orsaka brand.
- Använd inte produkten utan att kniven och alla kåpor är korrekt monterade. En felaktigt monterad kniv kan lossna och orsaka personskador.
- Se till att kniven inte slår emot föremål som stenar och rötter. Detta kan göra att kniven skadas och böja motoraxeln. En böjd axel orsakar kraftiga vibrationer och risken för att kniven lossnar blir mycket hög.
- Om kniven träffar ett föremål eller om det uppstår vibrationer ska du omedelbart stanna produkten. Koppla bort tändkabeln från tändstiftet. Kontrollera om det finns några skador på produkten. Reparera skadorna eller låt en behörig serviceverkstad utföra reparationen.
- Fäst aldrig motorbromsbygeln permanent på handtaget när motorn är igång.
- Ställ produkten på ett stabilt plant underlag och starta den. Se till att kniven inte vidrör marken eller andra föremål.
- Håll dig alltid bakom produkten när du använder den.



VARNING: Läs varningsinstruktionerna nedan innan du använder produkten.

- Personlig skyddsutrustning kan inte eliminera skaderisken helt, men den reducerar effekten av en skada vid ett eventuellt olyckstillbud. Be din återförsäljare om hjälp med att välja rätt utrustning.
- Använd hörselskydd om ljudnivån är högre än 85 dB.
- Använd kraftiga halksäkra kängor eller skor. Använd inte öppna skor och var inte barfota.
- Använd tjockare långbyxor.
- Använd skyddshandskar vid behov, till exempel när du ansluter, undersöker eller rengör skärutrustningen.

Säkerhetsanordningar på produkten



VARNING: Läs varningsinstruktionerna nedan innan du använder produkten.

- Använd inte en produkt med säkerhetsanordningar som är skadade eller som inte fungerar korrekt.
- Kontrollera säkerhetsanordningarna regelbundet. Om säkerhetsanordningarna är skadade eller om de inte fungerar korrekt ska du kontakta en Husqvarna-serviceverkstad.
- Gör inga ändringar på säkerhetsanordningarna.

Kontrollera klippkåpan

Klippkåpan dämpar vibrationerna och minskar risken för skador orsakade av kniven.

- Undersök klippkåpan för att se till att där inte finns några skador, t.ex. sprickor.

Batteri (LB 244E)



VARNING: Ett skadat batteri minskar produktens säkerhet. Använd alltid ett batteri som är godkänt av tillverkaren.

Batteriet ger kraft till elstart och är en säkerhetsanordning som förhindrar oavsiktlig start. Ta ur batteriet när du inte använder produkten och när den är obevakad.

Kontrollera motorbromsbygeln

Motorbromsbygeln stänger av motorn. När motorbromsbygeln släpps stannar motorn.

- Starta motorn och släpp sedan motorbromsbygeln. Om motorn inte stannar inom tre sekunder ska du låta en godkänd Husqvarna-serviceverkstad justera motorbromsen. (Fig. 19)

Ljuddämpare

Ljuddämparen håller ljudnivån till ett minimum och leder bort motorns avgaser från användaren.

Använd inte produkten utan ljuddämpare eller med en skadad ljuddämpare. En defekt ljuddämpare ökar ljudnivån och brandrisken.



VARNING: Ljuddämparen blir mycket varm under och efter användning samt när motorn går på tomgång. Var försiktig nära brandfarliga material och/eller ångor för att förhindra brand.

Kontrollera ljuddämparen

- Undersök ljuddämparen regelbundet för att se till att den är korrekt monterad och inte skadad.

Bränslesäkerhet



VARNING: Läs varningsinstruktionerna nedan innan du använder produkten.

- Starta inte produkten om det finns bränsle eller motorolja på produkten. Ta bort det oönskade bränslet/oljan och låt produkten torka.
- Om du spillt bränsle på kläderna ska dessa bytas omedelbart.
- Se till att inte få bränsle på kroppen, det kan orsaka personskador. Om du får bränsle på kroppen ska du använda tvål och vatten för att ta bort bränslet.
- Starta inte produkten om motorn har en läcka. Undersök regelbundet att motorn inte läcker.
- Var försiktig med bränsle. Bränsle är brandfarligt och ångorna är explosiva och kan orsaka skador eller dödsfall.

- Undvik att andas in bränsleångor då det kan orsaka personskador. Se till att det finns tillräckligt luftflöde.
- Rök inte i närheten av bränslet eller motorn.
- Placera inga varma föremål i närheten av bränslet eller motorn.
- Fyll inte på bränsle när motorn är på.
- Se till att motorn har svalnat innan du fyller på bränsle.
- Innan du fyller på bränsle bör du öppna bränsletanklocket långsamt och försiktigt släppa på trycket.
- Fyll inte på bränsle i motorn inomhus. Otillräckligt luftflöde kan orsaka skador eller dödsfall på grund av kvävning eller kolmonoxidförgiftning.
- Dra åt bränsletanklocket ordentligt. Om bränsletanklocket inte dras åt ordentligt finns det en risk för brand.
- Flytta produkten minst 3 m från den plats där du fyllde på tanken innan du startar den.
- Fyll inte upp tanken helt. Värme gör att bränslet expanderar. Lämna lite plats längst upp på tanken.
- Förvara aldrig produkten med bränsle i bränsletanken i en byggnad där det finns antändningskällor, t.ex. varmvattenberedare, värmeelement eller klädtorkar. Låt motorn kallna före förvaring i ett slutet utrymme.

Säkerhetsinstruktioner för underhåll



VARNING: Läs varningsinstruktionerna nedan innan du använder produkten.

- Motorns avgaser innehåller kolmonoxid, en luktlös, giftig och mycket farlig gas. Starta inte motorn inomhus eller i slutna utrymmen.
- Innan du utför underhåll på produkten ska du stänga av motorn och ta bort tändkabeln från tändstiftet. På LB 244E ska du även ta ur batteriet.
- Använd skyddshandskar när du utför underhåll på skärutrustningen. Kniven är mycket vass och skärskador uppstår lätt.
- Tillbehör och ändringar av produkten som inte godkänts av tillverkaren kan orsaka allvarliga skador eller dödsfall. Modifiera inte produkten. Använd endast tillbehör som godkänts av tillverkaren.
- Om underhåll inte utförs korrekt och regelbundet ökar risken för personskador och skador på produkten.
- Utför endast underhåll enligt anvisningarna i den här bruksanvisningen. All annan service måste utföras av en godkänd Husqvarna-serviceverkstad.
- Låt en godkänd Husqvarna-serviceverkstad utföra service på produkten regelbundet.
- Byt ut skadade, slitna och trasiga delar.

Montering

Introduktion



VARNING: Innan du monterar produkten måste du läsa igenom och förstå kapitlet om säkerhet.



VARNING: Avlägsna tändstiftskabeln från tändstiftet innan du monterar produkten.

Montera handtaget

1. Dra handtaget bakåt tills det är i ändläget. (Fig. 20)

2. Dra åt handtagsvreden. (Fig. 21)

Ställa in höjden på handtaget

1. Se till att höjjusteringsbygeln är i spåret. Tryck ner höjjusteringsbygeln med foten, om höjjusteringsbygeln inte placeras i spåret. (Fig. 22)
2. Tryck in höjjusteringsbygeln med foten.
3. Placera styret i rätt läge och släpp handtaget. (Fig. 23)

Drift

Introduktion



VARNING: Innan du använder produkten måste du läsa igenom och förstå kapitlet om säkerhet.

Husqvarna Connect

Husqvarna Connect är en kostnadsfri app för mobila enheter. Husqvarna Connect-appen utökar funktionerna för Husqvarna-produkten:

- Mer produktinformation.
- Information om, och hjälp med, produktdelar och service.

Börja använda Husqvarna Connect

1. Hämta Husqvarna Connect-appen på din mobila enhet.
2. Utför registreringen i Husqvarna Connect-appen.
3. Följ instruktionerna i Husqvarna Connect-appen för att ansluta och registrera produkten.

Innan du använder produkten

1. Läs igenom bruksanvisningen noggrant och se till att du förstår instruktionerna.
2. Undersök skärutrustningen för att se till att den är korrekt monterad och justerad. Se *Kontrollera skärutrustningen på sida 381*.
3. Kontrollera oljenivån och fyll på motorolja om det behövs. Se *Kontrollera oljenivån på sida 382*.
4. Fyll bränsletanken. Se *Fylla på bränsle på sida 379*.

Fylla på bränsle

Använd om möjligt bensin med låg utsläppsgrad/alkylatbränsle. Om bensin med låg utsläppsgrad/alkylatbränsle inte finns tillgänglig ska du använda blyfri

bensin eller blyad bensin av hög kvalitet med ett oktantal på minst 91.



OBSERVERA: Använd inte bensin med ett oktantal som är lägre än 91 RON. Det kan orsaka skador på produkten.



OBSERVERA: Byt bränslefiltret årligen eller oftare om det behövs. Nya bränslefilter finns hos Husqvarna-återförsäljare.



OBSERVERA: Stäng alltid av motorn innan du fyller på bränsle.



OBSERVERA: Använd inte trycksatta startvätskor.

1. Öppna tanklocket långsamt för att släppa på trycket.
2. Fyll på långsamt med en bränsledunk. Om du spiller bränsle ska du ta bort det med en trasa och låta bensen resterna avdunsta. (Fig. 24)
3. Torka rent runt bränsletanklocket.
4. Dra åt bränsletanklocket ordentligt. Om bränsletanklocket inte dras åt ordentligt finns det en risk för brand.
5. Flytta produkten minst 3 m från den plats där du fyllde på tanken innan du startar den.

Ställa in produkten i arbetsläge

1. Montera handtaget. Se *Montera handtaget på sida 379*.

- Ställ in höjden på handtaget. Se *Ställa in höjden på handtaget på sida 379*.



OBSERVERA: Se till att kablarna inte är för spända. Om en kabel är för spänd kan den skadas när handtaget fälls till transportläge.



WARNING: Använd inte produkten om inte handtaget är helt uppfällt och inställt i något av de aktuella höjdlägena. Se *Ställa in höjden på handtaget på sida 379*.

Ställa in klipphöjden

Klipphöjden kan justeras i sex olika lägen.

- Stanna motorn.
- Flytta klipphöjdsspaken bakåt för att höja klipphöjden. (Fig. 25)
- Flytta klipphöjdsspaken framåt för att sänka klipphöjden.



OBSERVERA: Ställ inte in för låg klipphöjd. Knivarna kan träffa marken om gräsmattans yta inte är plan.

Starta produkten

- Se till att tändkabeln är ansluten till tändstiftet.

Manuell start (LB 144)

- Stå bakom produkten.
- Håll motorbromsbygeln mot det övre handtaget. (Fig. 26)
- Håll i startsnörets handtag med höger hand.
- Dra långsamt i startsnöret tills du känner ett motstånd.
- Dra kraftigt för att starta motorn.



WARNING: Vira inte startsnöret runt handen.

Underhåll

Introduktion



WARNING: Innan du utför underhåll måste du läsa och förstå kapitlet om säkerhet.

För allt service- och reparationsarbete på produkten krävs särskild utbildning. Vi garanterar att du kan få en fackmannamässig reparation och service utförd. Om din

Elstart (LB 244E)

- Se till att batteriet är laddat. Se *Batteriunderhåll (LB 244E) på sida 383*.
- Anslut batteriet till motorn. Batteriet läses på plats när du hör ett klickljud. (Fig. 27)
- Stå bakom produkten och håll motorbromshandtaget (A) mot det övre handtaget. (Fig. 28)
- Håll startknappen (B) intryckt i tre till fem sekunder. Motorn startar.

Notera: Om motorn inte startar väntar du en minut och försöker sedan starta produkten igen.

Stänga av produkten

- För att stänga av motorn ska du släppa motorbromsbygeln.

Ta ur batteriet (LB 244E)

För att förhindra oavsiktlig start av motorn ska du ta ut batteriet när produkten inte är i drift.

- Tryck på låsknappen (A) och dra batteriet rakt ut. (Fig. 29)

Få ett bra resultat

- Använd alltid en vass kniv. En slö kniv ger ett ojämnt resultat och grässets snittyta blir gul. En vass kniv förbrukar mindre energi än en slö kniv.
- Klipp inte mer än en tredjedel av grässets längd. Klipp först med hög klipphöjd. Undersök resultatet och sänk klipphöjden till en lämplig nivå. Om gräset är väldigt långt kan du köra sakta och klippa två gånger vid behov.
- Klipp i olika riktningar varje gång för att undvika ränder i gräsmattan.
- Håll klippkåpan ren. Ansamling av gräs och smuts på insidan av klippkåpan kan försämra klippresultatet. Se *Rengöra insidan av klippkåpan på sida 381*.

återförsäljare inte är en serviceverkstad kan du tala med dem för information om närmaste serviceverkstad.

Mer information finns här i www.husqvarna.com.

Underhållsschema



OBSERVERA: Se till att luftfiltret är uppåt och inte mot marken när du lutar produkten. Risk för motorskador.



OBSERVERA: På modeller med elektrisk start ska du alltid ta ut batteriet innan du utför underhåll, reparationer eller rengöring.

Underhållsintervallen beräknas utifrån daglig användning av produkten. Intervallen ändras om produkten inte används dagligen.

För underhåll som markeras med *, se anvisningarna i *Säkerhetsanordningar på produkten på sida 377*.

Underhåll	Dagligen	Varje månad	Varje säsong
Utför en allmän inspektion	X		
Kontrollera oljenivån	X		
Byt ut oljan (första gången efter fem timmars användning, sedan efter var 50:e timmes användning) ¹⁶⁹			X
Rengör produkten	X		
Rengör området runt handtagets höjdjusteringsbygel	X		
Kontrollera skärutrustningen	X		
Kontrollera klippkåpan*	X		
Kontrollera motorbromsbygeln *	X		
Kontrollera ljuddämparen *		X	
Undersök tändstiftet. Rengör eller byt ut tändstiftet vid behov			X
Kontrollera luftfiltret	X		
Rengör luftfiltret ¹⁷⁰		X	
Byt luftfilter			X
Kontrollera bränslesystemet			X
Rengör kylflänsarna på cylindern.		X	

Allmän inspektion

- Se till att alla skruvar och muttrar på produkten är korrekt åtdragna.

Rengöra produkten utvändigt

- Använd en borste för att ta bort löv, gräs och smuts.
- Kontrollera att luftintaget på motorns ovansida inte är igentäppt.
- Undvik att använda högtryckstvätt när du rengör maskinen.
- Om du använder vatten för att rengöra produkten ska du inte spola vatten direkt på motorn.

För att rengöra området runt handtagets bygel för höjdjustering

- Använd en borste för att ta bort löv, gräs och smuts. (Fig. 30)

Rengöra insidan av klippkåpan

1. Töm bensintanken.
2. Luta produkten. Se till att tändstiftet pekar uppåt.



OBSERVERA: Om produkten placeras med luftfiltret nedåt kan motorn skadas.

3. Spola av klippkåpan insida med vatten.

Kontrollera skärutrustningen



WARNING: För att förhindra oavsiktlig start ska du ta bort tändkabeln från tändstiftet.

¹⁶⁹ Om produkten används med hög belastning eller vid höga omgivningstemperaturer ska motoroljan bytas var 25:e timme.

¹⁷⁰ Rengör oftare vid dammiga förhållanden eller när luftburet skräp förekommer. Byt ut luftfiltret om det är mycket smutsigt.



WARNING: Använd skyddshandskar när du utför underhåll på skärutrustningen. Kniven är mycket vass och skärskador uppstår lätt.

1. Kontrollera så att skärutrustningen inte är skadad eller har sprickor. Byt alltid ut skadad skärutrustning.
2. Titta på kniven för att se om den är skadad eller slö.

Notera: Kniven måste balanseras när den har slipats. Låt en serviceverkstad slipa, byta och balansera kniven. Om du träffar ett hinder som gör att produkten stannar ska du byta ut den skadade kniven. Låt serviceverkstaden bedöma om kniven kan slipas eller måste ersättas.

Byta knivar

1. Lås kniven med en träbit. (Fig. 31)
2. Ta bort knivbulten och fjäderbrickan.
3. Ta bort kniven.
4. Kontrollera knivstödet och knivbulten för att se om det finns skador.
5. Kontrollera motoraxeln för att se till att den inte är böjd.
6. När du monterar en ny kniv ska du rikta knivens vinklade ändrar mot klippkåpan. (Fig. 32)
7. Se till att kniven är i linje med motoraxelns mitt.
8. Lås kniven med en träbit. Montera fjäderbrickan och dra åt bulten och brickan med ett vridmoment på 44-46 Nm. (Fig. 33)
9. Dra runt kniven för hand och se till att den roterar fritt.



WARNING: Använd kraftiga arbetshandskar. Kniven är mycket vass och skärskador uppstår lätt.

10. Starta produkten för att testa kniven. Om kniven inte är korrekt monterad känner du vibrationer i produkten eller så är klippresultat otillfredsställande.

Kontrollera oljenivån



OBSERVERA: För låg oljenivå kan orsaka allvarliga motorskador. Kontrollera oljenivån innan du startar produkten.

1. Placera produkten på plan mark.
2. Ta bort oljetankslocket och mätstickan.
3. Torka av oljan från mätstickan.
4. Tryck in mätstickan helt i oljetanken.
 - a) Sätt inte fast oljetanklocket på LB 144.
 - b) Sätt fast oljetanklocket på LB 244E.
5. Ta bort locket till oljetanken och mätstickan.

6. Kontrollera oljenivån på mätstickan.
7. Om oljenivån är låg ska du fylla på med motorolja och kontrollera oljenivån igen. (Fig. 34)

Notera: Använd en tratt för att förhindra spill.

8. Sätt tillbaka oljetanklocket när oljenivån är korrekt.

Byta motorolja



WARNING: Motorolja är mycket varm direkt efter att motorn har stängts av. Låt motorn svalna innan du tappar ur motoroljan. Om du spillar olja på huden måste du rengöra med tvål och vatten.

(Fig. 35)

1. Använd produkten tills bränsletanken är tom.
2. Ta bort tändkabeln från tändstiftet.
3. Ta bort oljetankslocket och mätstickan.
4. Ställ en behållare att samla upp motoroljan i under produkten.
5. Luta produkten eller tappa av motoroljan från oljetanken med en oljepump (tillbehör).
6. Fyll på ny motorolja av den typ som rekommenderas i *Tekniska data på sida 386*.
7. Kontrollera oljenivån. Se *Kontrollera oljenivån på sida 382*.
8. Sätt tillbaka oljetanklocket när oljenivån är korrekt.

Lufffilter

Om lufffiltret är smutsigt kan det medföra att motorn skadas eller inte fungerar på rätt sätt. Utför underhåll på lufffiltret oftare vid dammiga förhållanden. Se *Underhållsschema på sida 380* för mer information om när du ska byta lufffilter.

Notera: Byt alltid ut ett skadat lufffilter.

Ta bort och installera lufffiltret (LB 244E)



WARNING: Använd skyddshandskar.

1. Tryck på klämmorna på lufffilterkåpan.
2. Ta försiktigt bort lufffilterkåpan (A) från motorn.
3. Lyft bort lufffiltret (B). (Fig. 36)
4. Undersök om lufffiltret är skadat. Byt lufffiltret om det är skadat.
5. Rengör och undersök lufffiltret. Se *Rengöra lufffiltret (LB 244E) på sida 383*.
6. Installera i omvänd ordningsföljd.

Rengöra luftfiltret (LB 244E)

Om luftfiltret är smutsigt kan det medföra att motorn skadas eller inte fungerar på rätt sätt. Utför underhåll på luftfiltret oftare vid dammiga förhållanden.

Se *Underhållsschema på sida 380* för mer information om när du ska byta luftfilter.

1. Ta bort luftfilterkåpan och filtret.
2. Gör rent filtret genom att slå det mot en plan yta. Använd aldrig lösningsmedel med petroleum eller fotingar eller tryckluft till att rengöra filtret.

Notera: Det går inte att rengöra luftfilter som har använts under lång tid helt. Byt luftfiltret regelbundet. Om luftfiltret är skadat måste du byta det.

3. När du monterar luftfiltret måste du se till att det sitter tätt mot filterhållaren.

Rengöra skumplastfiltret (LB 144)



OBSERVERA: Starta inte motorn utan luftfilter. Slitage på motorn ökar om luften är smutsig.

1. Ta bort luftfilterkåpan (A). (Fig. 37)
2. Ta bort skumplastfiltren (B).



OBSERVERA: Undersök om skumplastfiltren är skadade eller slitna. Byt ut alla skadade skumplastfilter.

3. Rengör skumplastfiltren med tvål och vatten.
4. Spola av skumplastfiltren med rent vatten.
5. Pressa ut vattnet från skumplastfiltren och låt dem torka.



OBSERVERA: Använd inte tryckluft. Det kan orsaka skador på skumplastfiltret.

6. Smörj skumplastfiltren med motorolja.
7. Tryck en ren trasa mot skumplastfiltret för att få bort överflödig olja.
8. Rengör skumplastfiltren. Se till att skumplastfiltren ligger helt tätt mot luftfilterhållaren.
9. Installera luftfilterkåpan.

Batteriunderhåll (LB 244E)

Batteriet är underhållsfritt. Låt endast godkända servicecenter utföra service på batteriet vid behov.

Använda batteriet för första gången (LB 244E)



OBSERVERA: Låt inte batteriet laddas ur. Om batteriet laddas ur helt kan det ta skada.

Du måste ladda batteriet innan du börjar använda det.

1. Anslut batteriladdaren till batteriet, se *Ladda batteriet (LB 244E) på sida 383*.
2. Vänta tills minst en grön lampa tänds.
3. Anslut batteriet till motorn, se *Elstart (LB 244E) på sida 380*.

Ladda batteriet (LB 244E)

Om bara en eller om ingen indikatorlampa på batteriet lyser måste batteriet laddas. Det tar två timmar att ladda upp ett tomt batteri. Batteriet skadas inte vid kortare laddningstid.

1. Anslut batteriladdaren till batteriet. (Fig. 38)
2. Anslut batteriladdaren till ett eluttag, 100–240 V, 50–60 Hz.
3. Ta först bort laddaren från eluttaget och ta därefter bort laddaren från batteriet.

Status för batteriladdning

LED-display på batteriet	Status
Lysdiod 1 blinkar med rött sken.	1–9 %
Lysdiod 1 lyser med fast rött sken.	10–32 %
Lysdiod 1 är grön och lysdiod 2 är röd.	33–54 %
Lysdiod 1 och 2 är gröna och lysdiod 3 är röd.	55–77 %
Lysdiod 1, 2 och 3 är gröna och lysdiod 4 är röd.	78–100 %

Lampindikator på batteriladdaren	Status
Fast rött ljus	Batteriet laddas.
Fast grönt ljus	Batteriet är fulladdat.

Kontrollera tändstiftet



OBSERVERA: Använd alltid den rekommenderade tändstiftstypen. Fel typ av tändstift kan orsaka skador på produkten.

- Kontrollera tändstiftet om motorn har låg effekt, är svår att starta eller inte fungerar korrekt vid tomgångsvarvtal.
- Följ dessa instruktioner om du vill minska risken för oönskat material på tändstiftets elektroder:
 - a) Se till att tomgångsvarvtalet är korrekt justerat.
 - b) Se till att bränsleblandningen är korrekt.
 - c) Se till att luftfiltret är rent.

- Om tändstiftet är smutsigt rengör du det och ser till att elektrodavståndet är korrekt, se *Tekniska data på sida 386*. (Fig. 39)
- Byt ut tändstiftet vid behov.

Kontrollera bränslesystemet

- Kontrollera bränsletanklocket och tätningen till bränsletanklocket för att se till att det inte finns några skador.
- Kontrollera bränsleslangen för att se till att inget läckage förekommer. Om bränsleslangen är skadad ska du låta en serviceverkstad byta ut den.

Tappa ur bränsletanken

1. Placera ett kärl under bränsletanken.
2. Ta bort bränsletanklocket.
3. Tryck slangklämmorna på bränsleslangen mot förgasaren.
4. Ta bort bränsleslangen från förgasaren.

5. Lägg bränsletankens slang i kärlet och ta bort slangklämmorna.
6. Luta produkten och låt bränslet rinna ner i kärlet.

Byta bränslefilter



VARNING: Använd skyddshandskar.

1. Tappa ur bränsletanken.
2. Flytta slangklämman bort från bränsletanken. (Fig. 40)
3. Ta bort bränsleslangen från bränsletanken. En mindre mängd bränsle kan läcka ut. (Fig. 41)
4. Ta bort bränslefiltret från bränsletanken. (Fig. 42)
5. Installera ett nytt bränslefilter i bränsletanken.
6. Fäst bränsleslangen på bränsletanken.
7. Sätt slangklämman på plats mot bränsletanken.

Felsökning av motorn

Problem	Möjlig orsak	Lösning
Maskinen startar inte.	Tändkabeln är felaktigt ansluten.	Anslut tändkabeln till tändstiftet.
	Bränsletanken är tom.	Fyll bränsletanken med korrekt bränsletyp.
	Bränslet är gammalt.	Töm bränsletanken och förgasaren. Fyll på med ny bensin.
	Det finns smuts i förgasare eller bränsleledning.	Rengör förgasaren och/eller bränsleledningen.
	Tändstiftet är skadat.	Justera elektrodavståndet, rengör eller byt ut tändstiftet.
	Det finns bränsle på tändstiftet.	Rengör tändstiftet.
Motorn stannar inte.	Stoppmekanismen fungerar inte som den ska.	Koppla bort tändkabeln från tändstiftet. Låt en godkänd serviceverkstad reparera produkten.
Motorn går ojämnt.	Tändkabeln är felaktigt ansluten.	Anslut tändkabeln till tändstiftet.
	Det finns smuts i bränsleledningen eller så är bränslet slut.	Rengör bränsleledningen. Fyll bränsletanken med nytt bränsle av rätt typ.
	Det är stopp i bränsletanklocket.	Rensa bränsletanklocket.
	Det finns vatten eller smuts i bränslesystemet.	Tappa ur bränsletanken. Fyll bränsletanken med nytt bränsle av rätt typ.
	Lufffiltret är smutsigt.	Rengör lufffiltret.
	Förgasaren måste justeras.	Låt en serviceverkstad justera förgasaren.

Problem	Möjlig orsak	Lösning
Motorn blir för varm.	Motoroljenivån är för låg.	Fyll på motorolja.
	Luftflödet är inte tillräckligt.	Rengör luftfiltret och luftfilterkåpan.
	Förgasaren måste justeras.	Låt en serviceverkstad justera förgasaren.
Motorn feltänder när den arbetar på höga varvtal.	Elektroavståndet i tändstiftet är för litet.	Justera elektroavståndet.
Ovanliga ljud från motorn vid normal belastning.	Fel typ av bensin.	Töm bränsletanken och förgasaren. Fyll på med ny bensin. Se <i>Kontrollera bränslesystemet på sida 384</i> . Kontakta en serviceverkstad om problemet kvarstår.
Motorn fungerar inte korrekt på tomgång.	Tändstiftet är smutsigt eller skadat eller så är elektroavståndet för stort.	Justera elektroavståndet eller byt ut tändstiftet.
	Förgasaren måste justeras.	Justera förgasaren.
	Luftfiltret är smutsigt.	Rengör luftfiltret.

Transport, förvaring och kassering

Transport och förvaring

- Vid förvaring och transport av produkten och bränslet ska du se till att det inte förekommer något läckage eller avgaser. Gnistor eller öppen eld, t.ex. från elektriska apparater eller pannor, kan orsaka brand.
- Använd alltid godkända behållare för transport och förvaring av bränsle.
- Töm bränsletanken innan du placerar produkten för förvaring under en längre tid. Kassera bränslet på lämplig anvisad plats
- Fäst produkten ordentligt under transport för att förhindra skador och olyckor.
- Förvara produkten i ett låst utrymme för att förhindra åtkomst för barn eller personer som inte är behöriga.
- Förvara produkten på en torr och frostfri plats.

Ställa in produkten i transportläge

- Släpp på handtagsvreden. (Fig. 43)
- Fäll handtaget framåt tills det når ändläget. (Fig. 44)

Transport och förvaring av batteri och laddare

- Ta inte bort batteriet förrän produkten står stilla och svalnat. Ta ut batteriet genom att hålla knappen på batteriets ovansida intryckt och ta bort batteriet från dess plats.
- Om batteriet ska förvaras längre än 30 dagar laddar du det tills fler än tre lysdioder lyser grönt.

- Ladda batteriet en gång var tredje månad för att förhindra att skador uppstår.
- Batteriet och batteriladdaren måste förvaras i en temperatur mellan 5 och 40 °C. Högre temperaturer och värmekällor med hög temperatur, t.ex. eld, kan orsaka skador på batteriet.
- Ta aldrig isär batteriet.
- Sänk inte ner batteriet i vatten. Förvara batteriet på en torr, sval och ren plats med god ventilation.
- Om batteriet luktar, är varmt eller om värme under drift, förvaring eller laddning har orsakat deformation av batteriet ska du ta bort batteriet och inte använda det.
- Se till att batteriet och batteriladdaren förvaras stadigt under transport för att förhindra skador.
- Se till att batteriladdaren inte blir för varm.

Kassering

- Följ lokala återvinningsbestämmelser och tillämpliga förordningar.
- Kassera alla kemikalier, som olja och frostskyddsmedel, vid en serviceverkstad eller på lämplig anvisad plats.
- När produkten inte längre används ska du skicka den till en Husqvarna-återförsäljare eller lämna den till en återvinningsstation.
- Kassera batteriet vid en serviceverkstad eller kassera det på en anvisad plats för förbrukade batterier.

Tekniska data

Tekniska data

	LB 144	LB 244E
Motor		
Varumärke	Husqvarna	Husqvarna
Modell	HS 123A	HS 139AE
Motortyp	Encylindrig, fyrtakt, forced-luftkylning, OHV	Encylindrig, fyrtakt, forced-luftkylning, OHV
Slagvolym, cm ³	123	139
Motorvarvtal - nominellt, rpm	3 000/min	2900/min
Nominell motoreffekt, kW ¹⁷¹	1,95	2,2
Tändsystem		
Tändstift	Husqvarna HQT-7	Husqvarna HQT-7
Elektrodstånd, mm	0,7-0,8	0,7-0,8
Bränsle- och smörjsystem		
Typ av motorsmörjning	Splash	Splash
Bränsletankens volym, l	0,9	0,9
Oljetankvolym, l	0,5	0,5
Motorolja ¹⁷²	Husqvarna SAE 30, Husqvarna SAE 5W-30 syntetisk, Husqvarna SAE 10W-40	Husqvarna SAE 30, Husqvarna SAE 5W-30 syntetisk, Husqvarna SAE 10W-40
Vikt		
Med tomma tankar, kg	22	23,5
Bulleremission ¹⁷³		
Ljudeffektnivå, uppmätt dB(A)	91	92
Ljudeffektnivå, garanterad L _{WA} dB(A)	94	94
Ljudnivåer ¹⁷⁴		
Ljudtrycksnivå vid användarens öra, dB(A)	79	80

¹⁷¹ Motorns angivna märkeffekt är medelvärdet för nettoeffekten (vid det specificerade varvtalet) hos en typisk produktionsmotor för den motormodell som mätts enligt SAE-standard J1349/ISO1585. Massproducerade motorer kan avvika från detta värde. Den faktiska uteffekten hos den motor som är installerad i slutprodukten kommer att bero på driftshastigheten, omgivningens egenskaper och andra faktorer.

¹⁷² Använd motorolja av kvalitet API SJ eller högre. Om SAE-30-olja används vid lägre temperatur än 5 °C är det risk att motorn inte smörjs tillräckligt. Detta kan skada motorn. Information om rätt olja vid låga temperaturer finns i *Byta motorolja på sida 382*. Se viskositetsdiagrammet i motorns handbok (om den medföljer) och välj den bästa viskositeten baserat på förväntad utomhustemperatur.

¹⁷³ Bulleremission till omgivningen uppmätt som ljudeffekt (L_{WA}) enligt EG-direktiv 2000/14/EG.

¹⁷⁴ Redovisade data för ljudtrycksnivå har ett typiskt spridningsmått (standardavvikelse) på 1,2 dB (A).

	LB 144	LB 244E
Vibrationsnivåer ¹⁷⁵		
Vibrationer övre handtag, m/s ²	7,6	6,0
Skärutrustning		
Klipphöjd, mm	25–75	25–75
Klippbredd, mm	440	440
Klippsystem	Bioclip®	Bioclip®
Kniv – standard	Mulch 5464584-10	Mulch 5464584-10
Startsystem		
Elstart.	Nej	Ja
Batteri	-	Litiumjon, 10,8 V, 21,6 Wh

¹⁷⁵ Rapporterade data för vibrationsnivå har en typisk statistisk spridning (standardavvikelse) på 0,2 m/s².

Försäkran om överensstämmelse

EU-försäkran om överensstämmelse

Vi, **Husqvarna AB**, 561 82 Huskvarna, Sverige, tel:
+46-36-146500, försäkrar på eget ansvar att produkten:

Beskrivning	Gräsklippare
Varumärke	Husqvarna
Typ/Modell	LB 144, LB 244E
Identifiering	Serienummer daterade 2023 och framåt

uppfyller alla krav i följande EU-direktiv och förordningar:

Lagstiftning	Beskrivning
2006/42/EG	"om maskiner"
2014/30/EU	"angående elektromagnetisk kompatibilitet"
2000/14/EC	"angående emission av buller till omgivningen"
2011/65/EU	"angående begränsning av användning av vissa farliga ämnen i elektrisk och elektronisk utrustning"

och att följande standarder och/eller tekniska specifikationer tillämpas: EN ISO 5395-1:2013+A1:2018, EN ISO 5395-2:2013+A1:2016+A2:2017, EN IEC 63000:2018, EN ISO 14982:2009

Anmält organ: 0404, SMP Svensk Maskinprovning AB, Box 4053, SE-904 03 Umeå, Sweden har intygat överensstämmelse med rådets direktiv 2000/14/EG, procedur för utvärdering av överensstämmelse: bilaga VI.

För information om bulleremissioner, se *Tekniska data på sida 386*.

Huskvarna, 2023-09-18



Claes Losdal, utvecklingschef/trädgårdsprodukter,
Husqvarna AB

Ansvarig för teknisk dokumentation



İçindekiler

Giriş.....	389	Motor sorunlarını giderme.....	399
Güvenlik.....	390	Taşıma, depolama ve atma.....	400
Montaj.....	393	Teknik veriler.....	400
Çalışma.....	393	Uyumluluk Bildirimi.....	403
Bakım.....	395		

Giriş

Ürün açıklaması

Ürün, çimleri gübre olacak şekilde kesmek için BioClip kullanan yaya kumandalı bir döner çim biçme makinesidir.

Ürüne genel bakış

(Şek. 1)

1. Motor fren kolu
2. Tutma yeri/Tutma çubuğu
3. Marş ipi tutma yeri (LB 144)
4. Kesim yüksekliği kolu
5. Yağ kapağı ve yağ çubuğu
6. Susturucu
7. Buji
8. Kaldırma tutma yeri
9. Tutma çubuğu için yükseklik ayarı kolu
10. Yakıt deposu kapağı
11. Hava filtresi
12. Kesim kapağı
13. Bıçak
14. Yaylı rondela
15. Bıçak civatası
16. Akü, güvenlik aracı (LB 244E)
17. Elektrikle çalıştırma düğmesi (LB 244E)
18. Kullanım kılavuzu

Ürün üzerindeki semboller

(Şek. 2) UYARI!! Dikkatli olun ve ürünü doğru kullanın. Bu ürün, operatör ya da başkaları açısından ciddi yaralanmalara veya ölüme neden olabilir.

(Şek. 3) Lütfen kullanım kılavuzunu dikkatle okuyun ve kullanımdan önce talimatları anladığınızdan emin olun.

(Şek. 4) Atılan nesnelere ve seken cisimlere dikkat edin.

(Şek. 5) İnsanları ve hayvanları çalışma alanından güvenli bir uzaklıkta tutun.

Kullanım amacı

Ürünü çim biçmek için kullanın. Ürünü başka işler için kullanmayın.

(Şek. 6) Uyarı: El ve ayaklarınızı döner bıçaktan uzak tutun.

(Şek. 7) Uyarı: El ve ayaklarınızı döner parçalardan uzak tutun.

(Şek. 8) Onarım veya bakım işlemlerinden önce motoru durdurun ve ateşleme kablosunu çıkarın.

(Şek. 9) Bu ürün yürürlükteki AT direktiflerine uygundur.

(Şek. 10) AB ve BK direktifleri ile yönetmelikleri ve Yeni Güney Galler mevzuatı "Çevre Koruma Operasyonları (Gürültü Kontrolü) Yönetmeliği 2017" uyarınca çevreye yayılan gürültü emisyonu etiketi. Ürünün garantili ses gücü düzeyi *Teknik veriler sayfasında: 400* bölümünde ve etiket üzerinde belirtilmiştir.

(Şek. 11)

Bu ürün yürürlükteki Birleşik Krallık yönetmeliklerine uygundur.

(Şek. 12) Yangın tehlikesi.

(Şek. 13) Egzoz dumanlarını solumayın. Motordan gelen egzoz dumanı kokusuz, zehirli ve son derece tehlikeli bir gaz olan karbon monoksit içerir. Motoru iç mekanlarda veya kapalı alanlarda çalıştırmayın.

(Şek. 14) Sıcak yüzey.

(Şek. 16) Ürünü çalıştırmadan önce motora yağ doldurun.

(Şek. 17) LB 144 için çalıştırma prosedürü: Motor fren kolunu aşağı bastırın ve çalıştırma ipi kolunu çekin.

(Şek. 18) LB 244E için çalıştırma prosedürü: Motor fren kolunu aşağı bastırın ve çalıştırma düğmesine basın.

(Şek. 15) Taranabilir kod.

Not: Ürünün üzerindeki diğer semboller/etiketler, diğer ticari alanların sertifikalandırma gereklilikleri ile ilgilidir.

Üründe oluşabilecek hasarlar

Aşağıdaki durumlarda ürünümdede oluşabilecek hasarlardan sorumlu olmayız:

- ürünün hatalı bir şekilde onarılması,
- ürünün, üretici tarafından onaylanmayan veya üreticiden alınmayan parçalarla tamir edilmesi,
- üründe, üreticiden alınmayan veya üretici tarafından onaylanmayan bir aksesuar bulunması,
- ürünün, onaylı bir servis merkezinde veya yetkili bir kurum tarafından tamir edilmemesi.

Avrupa V Emisyonları



UYARI: Motorun kurcalanması bu ürünün AB tip onayını geçersiz kılar.

Güvenlik

Güvenlik tanımları

Kılavuzdaki önemli kısımları vurgulamak için uyarılar ve notlar kullanılmıştır.



UYARI: Kılavuzdaki talimatlara uyulmadığı takdirde operatör veya çevredeki kişiler için ciddi yaralanma veya ölüm tehlikesi varsa kullanılır.



DİKKAT: Kılavuzdaki talimatlara uyulmadığı takdirde ürünün, diğer malzemelerin veya çevrenin zarar görme riski olduğunda kullanılır.

Not: Belirli bir durumda bilgi verilmesi gerektiğinde kullanılır.

Genel güvenlik talimatları



UYARI: Ürünü kullanmadan önce aşağıdaki uyarı talimatlarını okuyun.

- Bu ürün yanlış kullanıldığında veya dikkatli olmazsanız tehlikelidir. Güvenlik talimatlarına uyulmaması yaralanmalara veya ölüme yol açabilir.
- Bu ürün, çalışırken elektromanyetik bir alan oluşturur. Bu alan, bazı koşullarda aktif veya pasif tıbbi implantlarda parazitlenmeye neden olabilir. Ciddi yaralanmaya veya ölüme neden olabilecek durumların ortaya çıkma riskini azaltmak için tıbbi implantı olan kişilerin, bu ürünü çalıştırmadan önce doktorlarına ve tıbbi implant üreticilerine danışmalarını öneririz.

- Her zaman dikkatli olun ve sağduyunuzu kullanın. Özel bir durumda ürünü nasıl kullanacağınızdan emin değilseniz durun ve devam etmeden önce Husqvarna bayinizle görüşün.
- Diğer insanları veya bu insanlara ait mülkleri içeren kazalardan operatörün sorumlu tutulacağını unutmayın.
- Ürünü temiz tutun. İşaretleri ve etiketleri net bir şekilde okuyabildiğinizden emin olun.
- Kullanım kılavuzunun içindekileri okuyup anladığınızdan emin olmadan kimsenin ürünü kullanmasına izin vermeyin.
- Ürünü, bir çocuğun kullanmasına izin vermeyin.
- Çocukları çalışma alanından uzakta tutun. Sorumluluk sahibi bir yetişkin her zaman orada olmalıdır.
- Talimatlar hakkında bilgisi olmayan birinin ürünü kullanmasına izin vermeyin.
- Fiziksel veya zihinsel kapasitesi düşük olan bir kişi ürünü kullanırken bu kişiyi daima gözetim altında tutun. Sorumluluk sahibi bir yetişkin her zaman orada olmalıdır.
- Ürünü yorgunken, hastayken veya alkol ya da ilaç etkisi altındayken kullanmayın. Bu durum görüş, dikkat, koordinasyon ve doğru bir şekilde düşünmenizi olumsuz yönde etkiler.
- Hasarlı veya düzgün çalışmayan bir ürünü kullanmayın.
- Başkaları tarafından değiştirilmiş olma olasılığı varsa bu ürünü değiştirmeyin veya kullanmayın.
- Motor devir kontrolü ayarını değiştirmeyin.

Çalışma alanı güvenliği



UYARI: Ürünü kullanmadan önce aşağıdaki uyarı talimatlarını okuyun.

- Ürünü kullanmadan önce çalışma alanındaki dal, çalı çırpı ve taş gibi nesnelere alın.
- Kesme donanımına çarpan nesnelere fırlatılacak kişi ve nesnelere zarar görmesine neden olabilir. Etraftaki insanları ve hayvanları üründen güvenli bir uzaklıkta tutun.
- Ürünü sis, yağmur, kuvvetli rüzgar, şiddetli soğuk ve yıldırım düşmesi riski gibi olumsuz hava koşullarında hiçbir zaman kullanmayın. Ürünü olumsuz hava koşullarında veya nemli ya da ıslak yerlerde kullanmak yorucudur. Kötü hava, kaygan yüzeyler gibi tehlikeli koşullara neden olabilir.
- Ürünün güvenli bir şekilde çalışmasını önleyebilecek kişi, nesne ve durumlara dikkat edin.
- Kök, taş, çalı çırpı, çukur, hendek gibi engelleri dikkat edin. Uzun çim nesnelere saklayabilir.
- Eğimli yerlerde çim kesme tehlikeli olabilir. Ürünü 15°'den daha eğimli zeminlerde kullanmayın.
- Yokuşlarda ürünü yatay olarak kullanın. Yukarı ve aşağı hareket ettirmeyin.
- Gizli köşelere ve açık görüşü engelleyen nesnelere yanına giderken dikkatli olun.

Çalışma güvenliği



UYARI: Ürünü kullanmadan önce aşağıdaki uyarı talimatlarını okuyun.

- Bu ürünü yalnızca çimenlik alanlarda çim kesmek için kullanın. Ürünün başka işler için kullanılması yasaktır.
- Kişisel koruyucu araçlar kullanın. Bkz. *Kişisel koruyucu ekipman sayfa: 391*.
- Acil bir durumda motoru hızlı bir şekilde nasıl kapatacağınızı öğrenin.
- Ürünü hiçbir zaman kapalı yerlerde veya yanıcı maddelerin yakınında çalıştırmayın. Motordan çıkan egzoz dumanları sıcaktır ve yangın çıkmasına neden olabilecek kıvılcımlar içerebilir.
- Bıçağı ve tüm kapakları doğru bir şekilde takmadan ürünü çalıştırmayın. Yanlış bir şekilde takılan bıçak gevşeyerek yaralanmanıza neden olabilir.
- Bıçağın taş veya kök gibi nesnelere çarpmamasına dikkat edin. Bu, bıçağa zarar verebilir ve motor milini bükebilir. Bükülmüş aks, ağır titreşime ve çok yüksek bir bıçak gevşemesi riskine neden olabilir.
- Bıçak bir cisme çarpar veya titreşim olursa ürünü hemen durdurun. Ateşleme kablosunu bujiden ayırın. Üründe hasar olup olmadığını kontrol edin. Hasarları onarın veya yetkili bir servis noktasının onarım yapmasını sağlayın.

- Motor çalıştırıldığında motor fren kolunu hiçbir zaman sürekli olarak kola takmayın.
- Ürünü sabit ve düz bir yüzeye koyup çalıştırın. Bıçağın yere veya diğer cisimlere çarpmadığından emin olun.
- Ürünü çalıştırırken her zaman arkasında durun.
- Ürünü kullanırken tüm tekerleklerin yere basmasını sağlayın ve 2 elinizi kolun üzerinde tutun. Ellerinizi ve ayaklarınızı döner bıçaklardan uzakta tutun.
- Motor çalışırken ürünü yatırmayın.
- Ürünü arkaya doğru çekerken dikkatli olun.
- Motor çalışırken ürünü hiçbir zaman yukarı kaldırmayın. Ürünü kaldırmazın gerekirse önce motoru durdurun ve ateşleme kablosunu bujiden ayırın.
- Ürünü kullanırken arkaya doğru yürümeyin.
- Çakıl, taş ve asfalt gibi malzemelerden yapılmış, çim olmayan alanlardan geçerken motoru durdurun.
- Motor çalışırken ürünle birlikte koşmayın. Ürünü kullanırken her zaman yürüyün.
- Kesme yüksekliğini değiştirmeden önce motoru durdurun. Motor çalışırken asla ayarlama yapmayın.
- Motor çalışırken ürünün hiçbir zaman görüş alanından çıkmasına izin vermeyin. Motoru durdurun ve kesme donanımının dönmediğinden emin olun.

Kullanım için güvenlik talimatları

Kişisel koruyucu ekipman



UYARI: Ürünü kullanmadan önce aşağıdaki uyarı talimatlarını okuyun.

- Kişisel koruyucu ekipmanlar yaralanma riskini tamamen engelleyemez ancak bir kaza durumunda yaralanmanın derecesini azaltır. Bayinizin doğru ekipmanı seçmenize yardımcı olmasını sağlayın.
- Gürültü düzeyi 85 dB'den fazlaysa kulaklık koruma ekipmanı kullanın.
- Ağır hizmet tipi kaymayan botlar veya ayakkabılar kullanın. Açık ayakkabılar giymeyin veya çıplak ayakla yürümeyin.
- Kalın, uzun pantolonlar giyin.
- Kesme donanımını takma, kontrol etme veya temizleme gibi gerekli durumlarda koruyucu eldivenler kullanın.

Ürünün üzerindeki güvenlik araçları



UYARI: Ürünü kullanmadan önce aşağıdaki uyarı talimatlarını okuyun.

- Güvenlik araçları hasarlı olan veya düzgün çalışmayan bir ürünü kullanmayın.
- Güvenlik araçlarını düzenli olarak kontrol edin. Güvenlik cihazları hasarlıysa veya düzgün çalışmıyorsa Husqvarna servis bünyenizle görüşün.

- Güvenlik araçları üzerinde değişiklik yapmayın.

Kesme kapağını kontrol etme

Kesme kapağı, üründeki titreşimleri ve bıçakla yaralanma riskini azaltır.

- Çatlak gibi hasarlar olmadığından emin olmak için kesme kapağını inceleyin.

Akü (LB 244E)



UYARI: Arızalı akü ürünün güvenliğini azaltır. Her zaman üreticinin onayladığı bir akü kullanın.

Akü, elektrikle çalıştırmada güç sağlar ve kazara çalıştırmayı önleyen bir güvenlik aracıdır. Ürünü kullanmadığınızda ve görüş alanının dışında bıraktığınızda aküyü çıkarın.

Motor fren kolunu kontrol etme

Motor fren kolu motoru durdurur. Motor fren kolu bırakıldığında motor durur.

- Motoru çalıştırın ve ardından motor fren kolunu serbest bırakın. Motor 3 saniye içinde durmazsa motor frenini onaylı Husqvarna servis noktasına ayarlatın. (Şek. 19)

Susturucu

Susturucu, gürültü düzeyini minimum seviyede tutar ve egzoz dumanlarını operatörden uzağa gönderir.

Susturucu yoksa veya hasarlıysa ürünü kullanmayın. Hasarlı bir susturucu, gürültü düzeyini ve yangın riskini artırır.



UYARI: Susturucu kullanım sırasında, kullanım sonrasında ve motor rölantide çalışırken çok sıcak olur. Yangını önlemek için yanıcı malzemelerin ve/veya dumanların yakınında dikkatli olun.

Susturucuyu kontrol etme

- Düzgün takıldığından ve hasarlı olmadığından emin olmak için susturucuyu düzenli olarak kontrol edin.

Yakıt güvenliği



UYARI: Ürünü kullanmadan önce aşağıdaki uyarı talimatlarını okuyun.

- Ürünün üzerinde yakıt veya motor yağı varsa ürünü çalıştırmayın. İstenmeyen yakıtı/yağı temizleyin ve ürünün kurumasını bekleyin.
- Kıyafetlerinize yakıt bulaşırsa kıyafetlerinizi hemen değiştirin.

- Vücudunuza yakıt bulaştırmayın; bu, yaralanmaya sebep olabilir. Vücudunuza yakıt bulaşırsa yakıtı temizlemek için su ve sabun kullanın.
- Motorda sızıntı varsa ürünü çalıştırmayın. Motorda sızıntı olup olmadığını düzenli olarak kontrol edin.
- Yakıtla uğraşırken dikkatli olun. Yakıt yanıcı ve dumanlar patlayıcıdır; yaralanmalara veya ölüme sebep olabilir.
- Yaralanmaya sebep olabileceğinden yakıt dumanını solumayın. Yeterli hava akışı olduğundan emin olun.
- Yakıtın veya motorun yakınında sigara içmeyin.
- Yakıtın veya motorun yakınına sıcak nesnelere koymayın.
- Motor açıkken yakıt eklemeyin.
- Yakıt doldurmadan önce motorun soğuk olduğundan emin olun.
- Yakıt doldurmadan önce yakıt deposunun kapağını yavaşça açın ve basıncı dikkatlice tahliye edin.
- Kapalı bir alanda motora yakıt eklemeyin. Yeterli hava akışının olmaması, nefessiz kalma veya karbon monoksit nedeniyle yaralanmaya veya ölüme sebep olabilir.
- Yakıt deposu kapağını tamamen sıkın. Yakıt deposu kapağı sıkılmamışsa yangın riski vardır.
- Çalıştırmadan önce ürünü, yakıt deposunu doldurduğunuz konumdan en az 3 m / 10 ft uzağa taşıyın.
- Yakıt deposunu tamamen doldurmayın. Isı, yakıtın genleşmesine neden olur. Yakıt deposunun üst kısmında boşluk bırakın.
- Sıcak su ısıtıcıları, alan ısıtıcıları veya çamaşır kurutucuları gibi tutuşma kaynaklarının bulunduğu binanın içinde asla yakıt deposunda yakıt varken ürünü depoya kaldırmayın. Depolamadan önce motorun soğumasını bekleyin.

Bakım için güvenlik talimatları



UYARI: Ürünü kullanmadan önce aşağıdaki uyarı talimatlarını okuyun.

- Motordan gelen egzoz dumanı kokusuz, zehirli ve son derece tehlikeli bir gaz olan karbon monoksit içerir. Motoru iç mekanlarda veya kapalı alanlarda çalıştırmayın.
- Ürüne bakım yapmadan önce, motoru durdurun ve ateşleme kablosunu bujiden ayırın. LB 244E modelinde, aküyü de çıkarın.
- Kesme donanımına bakım yaptığınızda koruyucu eldivenler kullanın. Bıçak çok keskindir ve kolaylıkla keskilere yol açabilir.
- Üretici tarafından onaylanmayan aksesuarlar ve değişiklikler ciddi yaralanmaya veya ölüme neden olabilir. Ürünü değiştirmeyin. Her zaman üretici tarafından onaylanmış aksesuarlar kullanın.
- Bakım doğru bir şekilde ve düzenli olarak yapılmazsa yaralanma ve ürünün zarar görme riski artar.

- Yalnızca bu kullanım kılavuzunda açıklandığı şekilde bakım yapın. Tüm diğer servis işlemleri yetkili bir Husqvarna servis noktası tarafından yapılmalıdır.

- Yetkili bir Husqvarna servis noktasının ürüne düzenli olarak servis işlemi uygulamasını sağlayın.
- Hasarlı, aşınmış veya bozuk parçaları değiştirin.

Montaj

Giriş



UYARI: Ürünü monte etmeden önce güvenlik bölümünü okuyup anlamalısınız.



UYARI: Ürünün montajını yapmadan önce buji kablosunu bujiden çıkarın.

Tutma yerinin takılması

1. Tutma yerini, son konuma gelene kadar geriye doğru çekin. (Şek. 20)

2. Tutma yeri düğmelerini sıkın. (Şek. 21)

Tutma yeri yüksekliğini ayarlama

1. Yükseklik ayarı kolunun olukta olduğundan emin olun. Yükseklik ayarı kolu oluğa yerleştirilmemişse yükseklik ayarı kolunu ayağınızla aşağı bastırın. (Şek. 22)
2. Ayağınızla yükseklik ayarı koluna bastırın.
3. Tutma çubuğunu doğru konuma getirin ve tutma çubuğunu serbest bırakın. (Şek. 23)

Çalışma

Giriş



UYARI: Ürünü kullanmadan önce güvenlik bölümünü okuyup anlamalısınız.

Husqvarna Connect

Husqvarna Connect, mobil cihazınız için ücretsiz bir uygulamadır. Husqvarna Connect uygulaması, Husqvarna ürününüz için ayrıntılı işlevler sunar:

- Ayrıntılı ürün bilgileri.
- Ürün parçaları ve servis hakkında bilgi ve yardım.

Husqvarna Connect uygulamasını kullanmaya başlamak için

1. Husqvarna Connect uygulamasını mobil cihazınıza indirin.
2. Husqvarna Connect uygulamasında kaydolun.
3. Ürünü bağlamak ve kaydetmek için Husqvarna Connect uygulamasındaki talimatları izleyin.

Ürünü çalıştırmadan önce

1. Kullanım kılavuzunu dikkatle okuyun ve talimatları anladığınızdan emin olun.
2. Doğru bir şekilde takılıp ayarlandığından emin olmak için kesme donanımını inceleyin. Bkz. *Kesme donanımını kontrol etme sayfa: 396*.
3. Yağ seviyesini kontrol edin ve gerekirse motor yağı doldurun. Bkz. *Yağ seviyesini kontrol etme sayfa: 396*.

4. Yakıt tankını doldurun. Bkz. *Yakıt doldurma sayfa: 393*.

Yakıt doldurma

Varsa düşük emisyon sınıfı/alkilat yakıtı olan benzin kullanın. Düşük emisyon sınıfı/alkilat yakıtı olan benzin yoksa oktan sayısı 91'den az olmayan, kaliteli kurşunsuz veya kurşunlu benzin kullanın.



DİKKAT: Oktan sayısı 91 RON değerinin altında olan benzinleri kullanmayın. Bu, üründe hasara neden olabilir.



DİKKAT: Yakıt filtresini yılda bir veya gerekirse daha sık değiştirin. Yeni yakıt filtresini Husqvarna bayinizden temin edebilirsiniz.



DİKKAT: Yakıt doldurmadan önce mutlaka motoru durdurun.



DİKKAT: Basıncılı marş sıvıları kullanmayın.

1. Basıncı tahliye etmek için yakıt deposu kapağını yavaşça açın.
2. Yakıt bidonuyla yavaşça doldurun. Yakıt dökerseniz bezle silin ve kalan yakıtı kurumaya bırakın. (Şek. 24)
3. Yakıt deposu kapağının çevresini temizleyin.

4. Yakıt deposu kapağını tamamen sıkın. Yakıt deposu kapağı sıkılmamışsa yangın riski vardır.
5. Çalıştırmadan önce ürünü, yakıt deposunu doldurduğunuz konumdan en az 3 m / 10 ft uzağa taşıyın.

Ürünü çalışma konumuna getirme

1. Tutma yerini monte edin. Bkz. *Tutma yerinin takılması sayfada: 393.*
2. Tutma yeri yüksekliğini ayarlayın. Bkz. *Tutma yeri yüksekliğini ayarlama sayfada: 393.*



DİKKAT: Kabloların çok gergin olmadığından emin olun. Fazla gerginlik, tutma yeri taşıma konumuna katlandığında kabloların hasar görmesine neden olabilir.



UYARI: Tutma yeri tamamen katlanıp uygun yükseklik konumlarından birine ayarlanmadıkça ürünü çalıştırmayın. Bkz. *Tutma yeri yüksekliğini ayarlama sayfada: 393.*

Kesim yüksekliğini ayarlama

Kesim yüksekliği 6 farklı adımda ayarlanabilir.

1. Motoru durdurun.
2. Kesim yüksekliğini artırmak için kesim yüksekliği kolunu arkaya getirin. (Şek. 25)
3. Kesim yüksekliğini azaltmak için kesim yüksekliği kolunu öne getirin.



DİKKAT: Kesim yüksekliğini çok alçakta belirlemeyin. Bahçenin yüzeyi düz değilse bıçaklar yere çarpabilir.

Ürünü çalışma

- Ateşleme kablosunun bujiye bağlandığından emin olun.

Manuel çalışma (LB 144)

1. Ürünün arkasında durun.
2. Motor freni kolunu üst tutma yerine doğru bastırın. (Şek. 26)
3. Çalıştırma ipi kolunu sağ elinizle tutun.
4. Çalıştırma ipini bir miktar direnç hissedene kadar yavaşça çekin.

5. Motoru çalıştırmak için kuvvetlice çekin.



UYARI: Marş ipini elinize dolamayın.

Elektrikle çalışma (LB 244E)

1. Akünün şarj edilmiş olduğundan emin olun. Bkz. *Akü bakımı (LB 244E) sayfada: 397.*
2. Aküyü motora takın. Akü yerine oturduğunda bir tık sesi duyarsınız. (Şek. 27)
3. Ürünün arkasında durun ve motor fren kolunu (A) üst tutma yerine doğru tutun. (Şek. 28)
4. Elektrikle çalışma düğmesini (B) 3-5 saniye basılı tutun. Motor çalışır.

Not: Motor çalışmazsa 1 dakika bekleyin ve ürünü yeniden çalıştırmayı deneyin.

Ürünü durdurmak için

- Motoru durdurmak için motor fren kolunu serbest bırakın.

Aküyü çıkarma (LB 244E)

Motorun kazara çalışmasını önlemek için ürünü kullanmadığınızda aküyü çıkarın.

- Kilitleme düğmesine (A) basın ve aküyü doğrudan dışarı çekin. (Şek. 29)

İyi sonuç alma

- Her zaman keskin bıçak kullanın. Kör bıçak, düzensiz bir sonuç verir ve çim kesme yüzeyi sarı olur. Ayrıca keskin bıçak kör bıçaktan daha az güç kullanır.
- Çim boyunun 1/3'sinden fazlasını kesmeyin. Önce kesme yüksekliği yüksek ayardayken kesmeye başlayın. Sonucu inceleyin ve kesme yüksekliğini uygun seviyeye indirin. Çimler çok uzunsa makineyi yavaş kullanın ve gerekirse 2 kere kesin.
- Her seferinde farklı yönlerde keserek çimenlik alanda çizgi oluşmasını önleyin.
- Kesme kapağını temiz tutun. Kesme kapağının iç tarafında çim ve kir birikmesi kesme performansını zayıflatabilir. Bkz. *Kesme kapağının iç yüzeyini temizleme sayfada: 396.*

Bakım

Giriş



UYARI: Bakım yapmadan önce güvenlik bölümünü okuyup anlamanız gerekir.

Ürüne uygulanacak tüm servis ve onarım işlemleri için özel eğitim gereklidir. Profesyonel onarım ve servis hizmetlerinin mevcut bulunduğunu garanti etmekteyiz. Yetkili satıcınız servis noktası değilse kendisiyle görüşüp en yakınınızdaki servis noktası hakkında bilgi edinin.

Daha ayrıntılı bilgi için bkz. www.husqvarna.com.

Bakım takvimi



DİKKAT: Ürünü eğerken hava filtresinin yere dayalı değil, yukarı dönük olduğundan emin olun. Motor hasarı riski.



DİKKAT: Elektrikle çalıştırmaya sahip modellerde ürün üzerinde bakım, onarım veya temizlik işi yapmadan önce aküyü çıkarın.

Bakım aralıkları, ürünün günlük kullanımına göre hesaplanır. Ürün her gün kullanılmıyorsa aralıklar değişir.

* İşaretili bakım işlemleri için şu bölümdeki talimatlara bakın: *Ürünün üzerindeki güvenlik araçları sayfa: 391.*

Bakım	Günlük	Aylık	Her mevsimde
Genel inceleme yapma	X		
Yağ seviyesini inceleme	X		
Yağ değişimi (ilk kullanımda 5 saatten sonra, daha sonra her 50 saatlik kullanımda bir) ¹⁷⁶			X
Ürünü temizleme	X		
Tutma yeri yükseklik ayarı kolunun çevresindeki alanı temizleme	X		
Kesme ekipmanını inceleme	X		
Kesim kapağını inceleme *	X		
Motor fren kolunu inceleme *	X		
Susturucuyu inceleme *		X	
Bujiyi inceleme. Gerekirse bujiyi temizleme veya değiştirme			X
Hava filtresini inceleme	X		
Hava filtresini temizleme ¹⁷⁷		X	
Hava filtresini değiştirme			X
Yakıt sistemini inceleme			X
Silindirin soğutma kanatlarını temizleme		X	

Genel denetim yapma

- Ürünün üzerindeki tüm somun ve vidaların doğru şekilde sıkıldığından emin olun.

Ürünün dış kısmını temizleme

- Yaprak, çim ve kirleri gidermek için fırça kullanın.

¹⁷⁶ Ürün ağır yükte veya yüksek ortam sıcaklıklarında kullanılıyorsa motor yağını her 25 saatte bir değiştirin.

¹⁷⁷ Tozlu koşullarda veya havada döküntü varsa daha sık temizleyin. Çok kirliyse hava filtresini değiştirin.

- Motorun üst kısmındaki hava girişinin kapanmadığından emin olun.
- Ürünü temizlemek için yüksek basınçlı yıkayıcı kullanmayın.
- Ürünü temizlemek için su kullanıyorsanız suyu doğrudan motorun üzerine akıtmayın.

Tutma yeri yükseklik ayarı kolunun çevresindeki alanı temizleme

- Yaprak, çim ve kirleri gidermek için fırça kullanın. (Şek. 30)

Kesme kapağının iç yüzeyini temizleme

1. Yakıt tankını boşaltın.
2. Ürünü eğin. Bujinin yukarı doğru baktığından emin olun.



DİKKAT: Ürün hava filtresi alta gelecek şekilde yerleştirilirse motor hasar görebilir.

3. Kesme kapağının iç yüzeyini hortum kullanarak suyla yıkayın.

Kesme donanımını kontrol etme



UYARI: Kazara çalışmayı önlemek için ateşleme kablosunu bujiden ayırın.



UYARI: Kesme donanımına bakım yaptığınızda koruyucu eldivenler kullanın. Bıçak çok keskindir ve kolaylıkla kesiklere yol açabilir.

1. Kesme donanımında hasar veya çatlak olup olmadığını inceleyin. Hasarlı bir kesme donanımını kesinlikle değiştirin.
2. Hasarlı veya kör olup olmadığını anlamak için bıçağa bakın.

Not: Bilendikten sonra bıçağı dengelemek gerekir. Bıçağın bir servis merkezinde bilenmesini, değiştirilmesini ve dengelenmesini sağlayın. Ürünün durmasına neden olan bir engele çarparsanız hasarlı bıçağı değiştirin. Bıçağın bilenip bilenmeyeceğini veya değiştirmek gerekip gerekmediğine servis merkezinin karar vermesini sağlayın.

Bıçağı değiştirme

1. Bıçağı ahşap bir blokla kilitleyin. (Şek. 31)
2. Bıçak civatasını ve yaylı rondelayı çıkarın.
3. Bıçağı sökün.
4. Bıçak desteğinde ve bıçak civatasında hasar olup olmadığını kontrol edin.

5. Motor milini inceleyip bükülmediğinden emin olun.
6. Yeni bıçak taktığınızda bıçağın açılı uçlarını kesme kapağı yönüne doğrultun. (Şek. 32)
7. Bıçağın, motor milinin orta kısmıyla hizalandığından emin olun.
8. Bıçağı ahşap bir blokla kilitleyin. Yaylı rondela takıp civatayı ve rondelayı 44-46 Nm'lik torkla sıkın. (Şek. 33)
9. Bıçağı elinizle çekerek döndürün ve serbestçe döndüğünden emin olun.



UYARI: Ağır hizmet tipi eldiven kullanın. Bıçak çok keskindir ve kolaylıkla kesiklere yol açabilir.

10. Bıçağı test etmek için ürünü çalıştırın. Bıçak doğru bir şekilde taktımdıysa üründe titreşim olur veya kesme işleminin sonucu başarısızdır.

Yağ seviyesini kontrol etme



DİKKAT: Yağ seviyesinin çok düşük olması motora zarar verebilir. Ürünü çalıştırmadan önce yağ seviyesini kontrol edin.

1. Ürünü düz bir zemine koyun.
2. Yağ deposu kapağını ve takılı yağ çubuğunu çıkarın.
3. Yağ çubuğundaki yağı temizleyin.
4. Yağ çubuğunu yağ deposuna tamamen itin.
 - a) Yağ deposu kapağını LB 144 üzerine takmayın.
 - b) Yağ deposu kapağını LB 244E üzerine takın.
5. Yağ deposu kapağını ve yağ çubuğunu çıkarın.
6. Takılı yağ çubuğundaki yağ seviyesini kontrol edin.
7. Yağ seviyesi düşükse motor yağı doldurun ve yağ seviyesini tekrar kontrol edin. (Şek. 34)

Not: Dökülmeyi önlemek için huni kullanın.

8. Yağ seviyesi doğru olduğunda yağ deposu kapağını takın.

Motor yağının değiştirilmesi



UYARI: Motor yağı, motor durdurulduktan hemen sonra çok sıcaktır. Motor yağını boşaltmadan önce motorun soğumasını bekleyin. Cildinize motor yağı dökülürse sabun ve suyla temizleyin.

(Şek. 35)

1. Ürünü yakıt deposu boşalana kadar çalıştırın.
2. Ateşleme kablosunu bujiden çıkarın.
3. Yağ deposu kapağını ve takılı yağ çubuğunu çıkarın.
4. Ürünün altına motor yağını alacak bir kap yerleştirin.

5. Ürünü eğin veya yağ deposundaki motor yağını bir yağ pompası (aksesuar) yardımıyla boşaltın.
6. *Teknik veriler sayfa*da: 400 bölümünde tavsiye edilen tipte yeni motor yağı doldurun.
7. Yağ seviyesini kontrol edin. Bkz. *Yağ seviyesini kontrol etme sayfa*da: 396.
8. Yağ seviyesi doğru olduğunda yağ deposu kapağını takın.

Hava filtresi

Kirlenmiş hava filtresi, motorun zarar görmesine veya düzgün çalışmamasına neden olabilir. Tozlu ortamlarda hava filtresi üzerinde daha sık bakım yapın. Hava filtresinin ne zaman değiştirileceği hakkında bilgi için bkz. *Bakım takvimi sayfa*da: 395.

Not: Hasar görmüş hava filtrelerini daima değiştirin.

Hava filtresini (LB 244E) çıkarma ve takma



UYARI: Koruyucu eldivenler kullanın.

1. Hava filtresi kapağının üzerindeki klipslere bastırın.
2. Hava filtresi kapağını (A) motordan dikkatlice çıkarın.
3. Hava filtresini (B) çıkarın. (Şek. 36)
4. Hava filtresinde hasar olup olmadığını kontrol edin. Hasar görmüş hava filtrelerini değiştirin.
5. Hava filtresini temizleyin ve kontrol edin. Bkz. *Hava filtresini temizleme (LB 244E) sayfa*da: 397.
6. Ters sırayla takın.

Hava filtresini temizleme (LB 244E)

Kirlenmiş hava filtresi, motorun zarar görmesine veya düzgün çalışmamasına neden olabilir. Tozlu ortamlarda hava temizleyici üzerinde daha sık bakım yapın.

Hava filtresinin ne zaman değiştirileceği hakkında bilgi için bkz. *Bakım takvimi sayfa*da: 395.

1. Hava filtresi kapağını ve filtreyi çıkarın.
2. Düz bir zemine vurarak filtreyi temizleyin. Filtreyi temizlemek için petrol içeren çözücüler, gaz yağı veya basınçlı hava kullanmayın.

Not: Uzun süredir kullanılan hava filtreleri tam anlamıyla temizlenemez. Hava filtresini düzenli aralıklarla değiştirin. Hasarlı hava filtreleri mutlaka değiştirilmelidir.

3. Hava filtresini takarken filtrenin, filtre tutucusuna tamamen sabitlendiğinden emin olun.

Köpük plastik filtreyi temizleme (LB 144)



DİKKAT: Hava filtreleri olmadan motoru çalıştırmayın. Hava kirliyse motorun aşınması artar.

1. Hava filtresi kapağını (A) çıkarın. (Şek. 37)
2. Köpük plastik filtreleri (B) çıkarın.



DİKKAT: Köpük plastik filtrelerde hasar veya aşınma olup olmadığını kontrol edin. Tüm hasarlı köpük plastik filtreleri değiştirin.

3. Köpük plastik filtreleri su ve sabunla temizleyin.
4. Köpük plastik filtreleri temiz suya batırın.
5. Köpük plastik filtrelerdeki suyu sıkıp filtreleri kurumaya bırakın.



DİKKAT: Basınçlı hava kullanmayın. Aksi halde köpük plastik filtre zarar görebilir.

6. Köpük plastik filtreyi motor yağıyla yağlayın.
7. Fazla yağı temizlemek için köpük plastik filtreye temiz bir bez bastırın.
8. Köpük plastik filtreleri takın. Köpük plastik filtrelerin hava filtresi tutucusuna tamamen oturduğundan emin olun.
9. Hava filtresi kapağını takın.

Akü bakımı (LB 244E)

Akü bakım gerektirmez. Gerekliğinde akü üzerinde servis işlemlerini yalnızca yetkili bir servis merkezine yaptırın.

Aküyü ilk kez kullanma (LB 244E)



DİKKAT: Akünün boşalmasına izin vermeyin. Akünün boşalması, aküye zarar verebilir.

İlk kullanımdan önce aküyü şarj etmeniz gerekir.

1. Akü şarj cihazını aküye bağlayın, bkz. *Aküyü şarj etme (LB 244E) sayfa*da: 397.
2. En az 1 yeşil LED yanana kadar bekleyin.
3. Aküyü motora takın, bkz. *Elektrikle çalıştırma (LB 244E) sayfa*da: 394.

Aküyü şarj etme (LB 244E)

Aküde yalnızca 1 veya 0 gösterge lambası yanarsa şarj edilmesi gerekir. Boş akü 2 saatte tam olarak şarj edilir. Daha kısa süreyle şarj etmek aküye zarar vermez.

1. Akü şarj cihazını aküye bağlayın. (Şek. 38)
2. Akü şarj cihazını 100-240 V, 50-60 Hz bir prize takın.

- Öncelikle şarj cihazını prizden çıkarın, ardından şarj cihazını aküden çıkarın.

Akü şarjının durumu

Aküdeki LED ekran	Durum
LED 1 kırmızı yanıp sönüyor.	%1-%9
LED 1 sürekli kırmızı yanıyor.	%10-%32
LED 1 yeşil, LED 2 kırmızı yanıyor.	%33-%54
LED 1 ve 2 yeşil, LED 3 kırmızı yanıyor.	%55-%77
LED 1, 2 ve 3 yeşil, LED 4 kırmızı yanıyor.	%78-%100

Akü şarj istasyonundaki gösterge lambası	Durum
Sabit kırmızı ışık	Akü şarj ediliyor.
Sabit yeşil ışık	Pil tamamen şarj olmuş.

Bujinin kontrolü



DİKKAT: Daima önerilen tipte buji kullanın. Yanlış buji türü ürüne zarar verebilir.

- Motor gücü düşükse, çalıştırılması kolay değilse veya rölantide düzgün bir şekilde çalışmıyorsa bujiyi kontrol edin.
- Buji elektrotlarında istenmeyen madde riskini azaltmak için şu talimatlara uyun:
 - Rölantinin doğru ayarlandığından emin olun.
 - Yakıt karışımının doğru olduğundan emin olun.
 - Hava filtresinin temiz olduğundan emin olun.
- Buji kirliyse temizleyin ve elektrot boşluğunun doğru olduğundan emin olun, bkz. *Teknik veriler sayfa: 400*. (Şek. 39)

- Gerekirse bujiyi değiştirin.

Yakıt sistemini kontrol etme

- Hasar olmadığından emin olmak için yakıt tankı kapağını ve yakıt tankı kapağının contasını inceleyin.
- Sızıntı olmadığından emin olmak için yakıt hortumunu inceleyin. Yakıt hortumu hasarlıysa bir servis noktasında değiştirilmesini sağlayın.

Yakıt deposunu boşaltma

- Yakıt deposunun altına bir kap yerleştirin.
- Yakıt deposu kapağını çıkarın.
- Yakıt hortumundaki hortum klipslerini karbüratöre doğru itin.
- Yakıt hortumunu karbüratörden çıkartın.
- Yakıt deposu hortumunu kaba yerleştirin ve hortum klipslerini çıkarın.
- Ürünü eğin ve yakıtı kaba boşaltın.

Yakıt filtresini değiştirme



UYARI: Koruyucu eldivenler kullanın.

- Yakıt deposunu boşaltın.
- Hortum klipsini yakıt deposundan uzağa alın. (Şek. 40)
- Yakıt hortumunu yakıt deposundan çıkarın. Az miktarda yakıt sızabilir. (Şek. 41)
- Yakıt filtresini yakıt deposundan çıkarın. (Şek. 42)
- Yakıt deposuna yeni bir yakıt filtresi takın.
- Yakıt hortumunu yakıt deposuna takın.
- Hortum klipsini yakıt deposundaki yerine yerleştirin.

Motor sorunlarını giderme

Sorun	Olası neden	Çözüm
Motor çalışmıyor.	Ateşleme kablosu doğru bir şekilde bağlanmamıştır.	Ateşleme kablosunu bujiye bağlayın.
	Yakıt deposu boştur.	Yakıt deposunu doğru tipte yakıtla doldurun.
	Yakıt eskidir.	Yakıt deposunu ve karbüratörü boşaltın. Yeni benzin doldurun.
	Karbüratör veya yakıt hattında kir vardır.	Karbüratörü ve/veya yakıt hattını temizleyin.
	Buji hasarlıdır.	Elektrot boşluğunu ayarlayın, bujiyi temizleyin veya değiştirin.
	Bujinin üstünde yakıt vardır.	Bujiyi temizleyin.
Motor durmuyor.	Durdurma mekanizması düzgün çalışmıyordur.	Ateşleme kablosunu bujiden ayırın. Yetkili bir servis noktasında ürünü tamir ettirin.
Motor düzgün çalışmıyor.	Ateşleme kablosu doğru bir şekilde bağlanmamıştır.	Ateşleme kablosunu bujiye bağlayın.
	Yakıt hattında kir vardır veya yakıt eskimiştir.	Yakıt hattını temizleyin. Yakıt deposunu doğru tipte yeni bir yakıtla doldurun.
	Yakıt deposu kapağı tıkanmıştır.	Yakıt deposu kapağını temizleyin.
	Yakıt sisteminde su veya kir vardır.	Yakıt deposunu boşaltın. Yakıt deposunu doğru tipte yeni bir yakıtla doldurun.
	Hava filtresi kirlidir.	Hava filtresini temizleyin.
	Karbüratörün ayarlanması gerekiyordu.	Servis bayisine karbüratörü ayarlatın.
Motor çok ısınıyor.	Motor yağı seviyesi çok düşüktür.	Motor yağı doldurun.
	Hava akışı yeterli değildir.	Hava filtresini ve hava filtresi yuvasını temizleyin.
	Karbüratörün ayarlanması gerekiyordu.	Servis bayisine karbüratörü ayarlatın.
Yüksek hızda çalışırken motorda tekleme var.	Bujideki elektrot boşluğu çok azdır.	Elektrot boşluğunu ayarlayın.
Normal yükteyken motordan olağan dışı sesler geliyor.	Yanlış benzin tipi.	Yakıt deposunu ve karbüratörü boşaltın. Yeni benzin doldurun. Bkz. <i>Yakıt sistemi ni kontrol etme sayfa: 398</i> . Sorun devam ederse yerel servis bayinize başvurun.
Motor, rölantide düzgün çalışmıyor.	Buji kirlidir, hasarlıdır veya elektrot boşluğu çok geniştir.	Elektrot boşluğunu ayarlayın veya bujiyi değiştirin.
	Karbüratörün ayarlanması gerekiyordu.	Karbüratörü ayarlayın.
	Hava filtresi kirlidir.	Hava filtresini temizleyin.

Taşıma, depolama ve atma

Taşıma ve saklama

- Ürün ile yakıtı taşımak ve saklamak için sızıntı veya duman olmadığından emin olun. Örneğin, elektrikli cihazlardan veya kazanlardan kaynaklanan kıvılcım veya açık alevler yangın çıkarabilir.
- Yakıtı taşımak ve saklamak için her zaman onaylı kaplar kullanın.
- Ürünü uzun bir süre için saklama yerine koymadan önce yakıt tankını boşaltın. Yakıtı uygun bir çöp atma merkezinde bertaraf edin
- Hasar veya kaza olmasını önlemek için taşıma sırasında ürünü güvenli bir şekilde bağlayın.
- Çocukların veya yetkili olmayan kişilerin erişmesini önlemek için ürünü kilitle bir alanda tutun.
- Ürünü kuru ve donmayan bir yerde tutun.

Ürünü taşıma konumuna getirme

1. Tutma yeri düğmelerini serbest bırakın. (Şek. 43)
2. Tutma yerini, son konuma ulaşana kadar ileri doğru katlayın. (Şek. 44)

Akü ve şarj cihazının taşınması ve depolanması

- Ürün sabit konuma gelmeden ve soğumadan aküyü çıkarmayın. Çıkarmak için akünün üst kısmındaki düğmeyi basılı tutun ve aküyü yuvasından çıkarın.
- Depolama süresi 30 günden fazlaysa aküyü 3'ten fazla yeşil ışık yanana kadar şarj edin.

- Akünün hasar görmesini önlemek için aküyü 3 ayda bir şarj edin.
- Akü ve akü şarj cihazı 5°C ile 40°C arasında depolanmalıdır. Yüksek sıcaklıklar veya ateş gibi yüksek sıcaklık kaynakları aküye zarar verebilir.
- Akü parçalarını sökmeyin.
- Aküyü tamamen suya batırmayın. Aküyü hava akışı iyi olan serin ve kuru bir yerde tutun.
- Akü kokuyorsa veya sıcaksa ya da çalışma, depolama veya şarj sırasında ısı aküde deformasyona neden oluyorsa aküyü çıkarın ve kullanmayın.
- Hasarı önlemek için taşıma sırasında akünün veya akü şarj cihazının takılı olduğundan emin olun.
- Akü şarj cihazının çok fazla ısınmadığından emin olun.

Atma

- Yerel geri dönüşüm gerekliliklerine ve geçerli düzenlemelere uyun.
- Motor yağı veya antifriz gibi tüm kimyasal maddeleri bir servis merkezinde ya da uygun çöp atma merkezinde bertaraf edin.
- Artık kullanılmadığında, ürünü bir Husqvarna yetkili satıcısına gönderin veya geri dönüşüm merkezinde bertaraf edin.
- Aküyü bir servis noktasında veya kullanılmış aküler için çöp atma merkezinde bertaraf edin.

Teknik veriler

Teknik veriler

	LB 144	LB 244E
Motor		
Marka	Husqvarna	Husqvarna
Model	HS 123A	HS 139AE
Motor tipi	Tek silindirli, 4 Zamanlı, Basınçlı Havayla Soğutma, OHV	Tek silindirli, 4 Zamanlı, Basınçlı Havayla Soğutma, OHV
Hacim, cm ³	123	139
Motor devri - Nominal, dev/dak	3000/dak	2900/dak

	LB 144	LB 244E
Nominal motor çıkış gücü, kW ¹⁷⁸	1,95	2,2
Ateşleme Sistemi		
Buji	Husqvarna HQT-7	Husqvarna HQT-7
Elektrot boşluğu, mm	0,7-0,8	0,7-0,8
Yakıt ve yağlama sistemi		
Motor yağlama türü	Çarpmalı yağlama	Çarpmalı yağlama
Yakıt deposu kapasitesi, l	0,9	0,9
Yağ deposu kapasitesi, l	0,5	0,5
Motor yağı ¹⁷⁹	Husqvarna SAE 30, Husqvarna SAE 5W-30 Sentetik, Husqvarna SAE 10W-40	Husqvarna SAE 30, Husqvarna SAE 5W-30 Sentetik, Husqvarna SAE 10W-40
Ağırlık		
Boş depolarla birlikte, kg	22	23,5
Gürültü emisyonu ¹⁸⁰		
Ses gücü düzeyi, ölçülmüş dB (A)	91	92
Ses gücü düzeyi, garantili L _{WA} dB (A)	94	94
Ses düzeyleri ¹⁸¹		
Operatörün kulağındaki ses basıncı düzeyi, dB (A)	79	80
Titreşim düzeyleri ¹⁸²		
Üst tutma yerindeki titreşim, m/sn ²	7,6	6,0
Kesme ekipmanı		
Kesim yüksekliği, mm	25-75	25-75
Kesim genişliği, mm	440	440
Kesim sistemi	Bioclip®	Bioclip®
Bıçak - Standart	Malç 5464584-10	Malç 5464584-10
Marş sistemi		
Elektrikli marş	Hayır	Evet

¹⁷⁸ Motor için gösterilen güç derecesi SAE J1349/ISO1585 standardına göre ölçülen motor modeli için tipik bir üretim motorunun (belirlenmiş dev/dak'da) ortalama net güç çıkışıdır. Seri üretim motorları bu değerden farklı olabilir. Ürünün son haline takılan motorun gerçek güç çıkışı çalışma hızına, çevre koşullarına ve diğer değerlere bağlıdır.

¹⁷⁹ API SJ veya daha yüksek kalitede motor yağı kullanın. SAE-30 yağ, +5°C'nin altındaki sıcaklıkta kullanılırsa motoru yeterince yağlayamayabilir. Bu, motora zarar verebilir. Düşük sıcaklıklara yönelik doğru yağ için bkz. *Motor yağının değiştirilmesi sayfa: 396*. Motor kılavuzundaki (birlikte verilmişse) viskozite tablosuna bakarak beklenen dış ortam sıcaklığına göre en iyi viskoziteyi seçin.

¹⁸⁰ 2000/14/AT sayılı AT direktifi uyarınca ses gücü (L_{WA}) olarak çevre de ölçülen gürültü emisyonu düzeyi.

¹⁸¹ Ses basıncı düzeyi için bildirilen verilerdeki tipik istatistik dağılım (standart sapma) 1,2 dB(A) şeklindedir.

¹⁸² Titreşim düzeyi için bildirilen verilerdeki tipik istatistik dağılım (standart sapma) 0,2 m/sn² şeklindedir.

	LB 144	LB 244E
Akü	-	Lityum iyon, 10,8 V, 21,6 Wh

Uyumluluk Bildirimi

AB Uyumluluk Bildirimi

Biz, **Husqvarna AB**, SE-561 82 Huskvarna, İsveç, tel: +46-36-146500 olarak tek sorumlu vasfıyla ürüne ilişkin aşağıdaki beyanlarda bulunmaktayız:

Açıklama	Çim Bıçme Makinesi
Marka	Husqvarna
Tıp/Model	LB 144, LB 244E
Kimlik	2023 ve sonrası tarihli seri numaraları

aşağıdaki AB direktifleri ve yönetmelikleriyle tamamen uyumludur:

Düzenleme	Açıklama
2006/42/AT	"makinelerle ilgili"
2014/30/AB	"elektromanyetik uyumlulukla ilgili"
2000/14/AT	"çevredeki gürültü emisyonlarıyla ilgili"
2011/65/AB	"elektrikli ve elektronik ekipmanlarda belirli tehlikeli maddelerin kullanımının kısıtlanmasıyla ilgili"

ve aşağıdaki standartlar ve/veya teknik özellikler uygulanmıştır: EN ISO 5395-1:2013+A1:2018, EN ISO 5395-2:2013+A1:2016+A2:2017, EN IEC 63000:2018, EN ISO 14982:2009

Onaylanmış Kuruluş: 0404, SMP Svensk Maskinprovning AB, Box 4053, SE-904 03 Umeå, Sweden 2000/14/AT konsey direktifi, uyumluluk değerlendirme prosedürü: Ek VI ile uyumluluğu belgelemiştir.

Gürültü emisyonları ile ilgili bilgi için bkz. *Teknik veriler sayfada: 400.*

Huskvarna, 2023-09-18



Claes Losdal, Geliştirme Müdürü/Bahçe Ürünleri
Husqvarna AB

Teknik dokümantasyon sorumlusu

Türk ithalat şirketi daha fazla bilgi için temas edilecek:
Çullas Orman Bahçe ve Tarım Mak. San. Tic. A.Ş.
Suadiye Mh. Bağdat Cd. No:455/4
Kadıköy – 34740 İstanbul / Türkiye
Telefon: +90 216 519 88 82
Faks: +90 216 519 88 78
info@cullas.com.tr



Зміст

Вступ.....	404	Усунення несправностей двигуна.....	415
Безпека.....	405	Транспортування, зберігання й утилізація.....	416
Збирання.....	408	Технічні характеристики.....	417
Експлуатація.....	409	Декларація відповідності.....	419
ТЕХНІЧНЕ ОБСЛУГОВУВАННЯ.....	410		

Вступ

Опис виробу

Це обертальна газонокосарка для піших операторів із системою BioClip для перетворення трави на добриво.

Огляд виробу

(Мал. 1)

1. Ручка зупинення двигуна
2. Ручка / рукоятка
3. Рукоятка стартера (LB 144)
4. Важіль регулювання висоти різання
5. Кришка бака для оливи й вимірювальний стрижень
6. Глушник
7. Свічка запалювання
8. Ручка для підймання
9. Регулятор висоти рукоятки
10. Кришка паливного бака
11. Повітряний фільтр
12. Кожух леза
13. Лезо
14. Пружинна шайба
15. Болт леза
16. Акумулятор, захисний пристрій (LB 244E)
17. Кнопка електричного стартера (LB 244E)
18. Посібник користувача

Символи на виробі

(Мал. 2) **ПОПЕРЕДЖЕННЯ!** Будьте обережні й використовуйте виріб належним чином. Він може спричинити серйозні травми або загибель оператора чи сторонніх осіб.

(Мал. 3) Перед початком використання виробу уважно прочитайте посібник користувача й переконайтеся, що зрозуміли всі вказівки.

(Мал. 4) Остерігайтеся рикошету й об'єктів, які можуть вилітати з-під виробу.

Призначення

Користуйтеся виробом для зрізання трави. Забороняється використовувати виріб для інших завдань.

(Мал. 5) Сторонні особи та тварини повинні перебувати на безпечній відстані від робочої зони.

(Мал. 6) Увага! Тримайте руки й ноги на безпечній відстані від леза, що обертається.

(Мал. 7) Увага! Тримайте руки та ноги на відстані від деталей, що обертаються.

(Мал. 8) Перед проведенням ремонтних робіт або обслуговування необхідно зупинити двигун та витягнути провід запалювання.

(Мал. 9) Цей виріб відповідає вимогам відповідних директив ЄС.

(Мал. 10) Етикетка з інформацією щодо шумових викидів у навколишнє середовище відповідно до вимог директив і нормативних актів ЄС і Сполученого Королівства та Закону про збереження навколишнього середовища (контроль шуму) 2017 р. Нового Південного Уельсу. Гарантований рівень звукової потужності виробу вказано в розділі *Технічні характеристики на сторінці 417* і на етикетці.

(Мал. 11) Цей виріб відповідає вимогам застосованих норм Сполученого Королівства.

(Мал. 12) Небезпека загоряння.

(Мал. 13) Не вдихайте вихлопні гази. Вихлопні гази з двигуна містять монооксид

вуглецю – отруйний і дуже небезпечний газ без запаху. Забороняється заводити двигун у приміщенні чи в замкнутому просторі.

(Мал. 14) Гаряча поверхня.

(Мал. 16) Перш ніж запускати виріб, залийте оливу у двигун.

(Мал. 17) Процедура запуску для LB 144: Натисніть на ручку зупинення двигуна вниз і потягніть ручку троса стартера.

(Мал. 18) Процедура запуску для LB 244E: Натисніть рукоятку зупинення двигуна вниз і натисніть кнопку запуску.

(Мал. 15) Сканований код.

Зверніть увагу: Інші позначення на виробі відповідають вимогам спеціальних сертифікатів для інших торгових зон.

Пошкодження виробу

Ми не несемо відповідальності за пошкодження, якщо:

- виріб було неправильно відремонтовано;
- виріб було відремонтовано із використанням деталей, виготовлених не виробником або не затверджених ним;
- виріб обладнано аксесуаром, виготовленим не виробником або не затвердженим ним;
- виріб було відремонтовано в неавторизованому сервісному центрі або неавторизованою компанією;

Відповідає вимогам європейського екологічного стандарту Євро-5



ПОПЕРЕДЖЕННЯ: Внесення змін у двигун позбавляє чинності сертифікацію ЕС для цього виробу.

Безпека

Визначення щодо безпеки

Попередження, застереження й примітки служать для наголошення на особливо важливих положеннях посібника.



ПОПЕРЕДЖЕННЯ: Вказує на те, що в разі порушення інструкцій, наведених у цьому посібнику, існує небезпека поранення або смерті оператора чи інших осіб, що знаходяться поруч.



УВАГА: Вказує на те, що в разі порушення інструкцій, наведених у цьому посібнику, існує небезпека пошкодження виробу, інших матеріалів або навколишніх об'єктів.

Зверніть увагу: Використовується для надання додаткової інформації щодо певної ситуації.

Загальні правила техніки безпеки



ПОПЕРЕДЖЕННЯ: Перш ніж розпочати використання виробу,

уважно прочитайте наведені нижче попередження.

- Цей виріб може бути небезпечним у разі неправильного або недбалого використання. Порушення правил техніки безпеки може призвести до травм або смерті.
- Під час роботи цього виробу утворюється електромагнітне поле. Це поле може за деяких умов взаємодіяти з активними чи пасивними медичними імплантатами. Щоб зменшити ризик тяжких або смертельних травм, рекомендуємо особам із медичними імплантатами проконсультуватися зі своїм лікарем і виробником медичного імплантату перед початком експлуатації цього виробу.
- Завжди будьте обережні й керуйтеся здоровим глуздом. Якщо ви маєте сумніви щодо того, як користуватися виробом у конкретній ситуації, припиніть роботу й проконсультуйтеся з дилером Husqvarna.
- Пам'ятайте, що оператор несе відповідальність за нещасні випадки, у результаті яких постраждали інші особи або їхнє майно.
- Тримайте пристрій у чистоті. Переконайтеся, що знаки та наклейки читабельні.
- Не дозволяйте використовувати виріб стороннім особам доки не переконаєтеся, що вони прочитали й зрозуміли весь зміст посібника користувача.



ПОПЕРЕДЖЕННЯ: Перш ніж розпочати використання виробу, уважно прочитайте наведені нижче попередження.

- Використовуйте виріб лише для скошування трав'яних газонів. Заборонено використовувати виріб для інших цілей.
- Використовуйте засоби індивідуального захисту. Див. *Засоби індивідуального захисту на сторінці 407.*
- Дізнайтеся, як швидко зупинити двигун в екстреній ситуації.
- Забороняється запускати двигун у закритому приміщенні або поблизу легкозаймистих матеріалів. Вихлопні дими мають високу температуру й можуть містити іскри, що можуть призвести до пожежі.
- Забороняється використовувати виріб без правильно встановленого леза та всіх кожухів. Неправильно встановлене лезо може від'єднатися й призвести до травм.
- Слідкуйте, щоб лезо не зачіпляло сторонні предмети на кшталт каміння та коріння. Це може призвести до пошкодження леза та згинання вала двигуна. Зігнута вісь викликає значні вібрації та призводить до ризику від'єднання леза від виробу.
- У разі удару леза об будь-який сторонній предмет чи появі вібрації негайно зупиніть виріб. Від'єднайте провід запалювання від свічки запалювання. Перевіряйте виріб на наявність пошкоджень. Виправляйте пошкодження або здавайте виріб на ремонт в авторизований центр обслуговування.
- Забороняється закріплювати ручку зупинення двигуна на рукоятці, коли працює двигун.
- Поставте виріб на тверду рівну поверхню та увімкніть його. При цьому лезо не повинно торкатися землі або інших предметів.
- Під час роботи з виробом завжди залишайтеся позаду нього.
- Під час роботи з виробом усі колеса мають залишатися на землі, а обидві руки треба тримати на ручці. Тримайте руки та ноги на відстані від лез, що обертаються.
- Не нахиляйте виріб, коли двигун увімкнений.
- Будьте обережні під час руху у зворотному напрямку.
- Забороняється піднімати виріб коли двигун увімкнений. Якщо виріб треба підняти, спочатку вимкніть двигун та від'єднайте провід запалювання від свічки запалювання.
- Не рухайтесь у зворотному напрямку під час роботи з виробом.

- Не дозволяйте дітям використовувати виріб.
- Не підпускайте до робочої зони дітей. Біля виробу, що працює, має завжди перебувати відповідальна доросла особа.
- Не дозволяйте використовувати прилад особам, що не ознайомилися з інструкціями.
- Завжди наглядуйте за особами з обмеженими фізичними чи розумовими можливостями, які використовують виріб. Біля виробу, що працює, має завжди перебувати відповідальна доросла особа.
- Забороняється використовувати виріб, якщо ви втомлені, хворі, чи перебуваєте під впливом наркотиків, алкоголю або медикamentів. Ці фактори мають негативний вплив на ваш зір, зосередженість, свідомість і координацію рухів.
- Не використовуйте виріб, який пошкоджений або не працює належним чином.
- Заборонено вносити зміни в конструкцію виробу чи використовувати виріб, якщо є підозра, що його було змінено сторонніми особами.
- Не змінюйте налаштування керування частотою обертання двигуна.

Безпека в робочій зоні



ПОПЕРЕДЖЕННЯ: Перш ніж розпочати використання виробу, уважно прочитайте наведені нижче попередження.

- Перед використанням виробу приберіть з робочої зони всі гілки, лозу та каміння.
- Предмети, що потраплять на різальне обладнання, можуть відлетіти та поранити сторонніх осіб або пошкодити інші предмети. Сторонні особи та тварини повинні знаходитися на безпечній відстані від виробу.
- Забороняється використовувати виріб за поганої погоди на кшталт туману, дощу, сильного вітру, значного холоду або грози. Робота в погану погоду або на вологих ділянках виснажує. Погана погода може стати причиною небезпечних умов роботи, таких як слизькі поверхні.
- Бережіть осіб, предметів та ситуацій, які можуть зашкодити безпечній роботі виробу.
- Бережіть перешкод на кшталт коріння, каміння, гілок, ям або канав. Висока трава може приховувати перешкоди.
- Скошування трави на схилах може бути небезпечним. Не використовуйте виріб на ділянках із нахилом понад 15°.
- Використовуйте виріб на схилах у горизонтальному напрямку. Не рухайтесь вгору і вниз.
- Будьте обережні, наближаючись до прихованих кутів та предметів, які можуть закривати поле зору.

- Вимикайте двигун під час руху через ділянки без трави на кшталт доріжок із гравію, каменю або асфальту.
- Не бігайте з виробом, коли двигун увімкнений. Під час роботи з виробом необхідно ходити зі звичайною швидкістю.
- Вимикайте двигун, перш ніж змінювати висоту різання. Забороняється виконувати регулювання при ввімкненому двигуні.
- Забороняється залишати виріб без нагляду коли двигун працює. Зупиніть двигун та переконайтеся, що ріжуче обладнання не обертається.

Правила техніки безпеки під час використання

Засоби індивідуального захисту



ПОПЕРЕДЖЕННЯ: Перш ніж розпочати використання виробу, уважно прочитайте наведені нижче попередження.

- Особисте захисне спорядження не може повністю усунути небезпеку травмування, але при нещасному випадку воно знизить ступінь важкості травми. Дозвольте дилеру допомогти вам із вибором підходящого обладнання.
- Використовуйте засоби захисту органів слуху, якщо рівень шуму перевищує 85 дБ.
- Використовуйте взуття із захистом від ковзання для роботи у важких умовах. Забороняється використовувати відкрите взуття або працювати взагалі без нього.
- Використовуйте цупкі довгі штани.
- За потреби використовуйте рукавички, наприклад, якщо необхідно приєднати, оглянути або почистити різальне обладнання.

Запобіжне обладнання на виробі



ПОПЕРЕДЖЕННЯ: Перш ніж розпочати використання виробу, уважно прочитайте наведені нижче попередження.

- Не використовуйте виріб із запобіжними пристроями, які пошкоджені або не працюють належним чином.
- Регулярно перевіряйте захисні пристрої. Якщо запобіжні пристрої пошкоджені або не працюють належним чином, зверніться до дилера з обслуговування Husqvarna.
- Не вносьте зміни до захисних пристроїв.

Перевірка кожуха леза

Кожух леза частково поглинає вібрацію виробу та знижує небезпеку травмування лезом.

- Огляньте кожух леза та переконайтеся, що він не має пошкоджень на кшталт тріщин.

Акумулятор (LB 244E)



ПОПЕРЕДЖЕННЯ: Пошкоджений акумулятор знижує рівень безпеки під час експлуатації виробу. Завжди користуйтеся лише акумуляторами, схваленими виробником.

Акумулятор живить блок електричного запуску та водночас є захисним пристроєм, що запобігає ненавмисному запуску. Виймайте акумулятор, коли не працюєте з виробом або коли залишаєте його без нагляду.

Перевірка ручки зупинення двигуна

Ручка зупинення двигуна зупиняє двигун. За відпускання ручки зупинення двигуна він зупиняється.

- Запустіть двигун, а потім відпустіть ручку зупинення двигуна. Якщо двигун не зупиняється протягом 3 секунд, необхідно передати виріб в авторизований центр обслуговування Husqvarna для налаштування гальма двигуна. (Мал. 19)

Глушник

Глушник зменшує рівень шуму та відводить вихлопні гази подалі від оператора.

Не використовуйте виріб із пошкодженим глушником або взагалі без глушника. Пошкоджений глушник збільшує рівень шуму та підвищує небезпеку загоряння.



ПОПЕРЕДЖЕННЯ: Під час роботи виробу та відразу після роботи, а також під час роботи двигуна на холостих обертах глушник сильно нагрівається. Зважайте на легкозаймисті матеріали та/або випари, щоб не допустити пожежі.

Перевірка глушника

- Регулярно оглядайте глушник, стежте, щоб він був правильно під'єднаний та справний.

Заходи безпеки під час заправки палива



ПОПЕРЕДЖЕННЯ: Перш ніж розпочати використання виробу, уважно прочитайте наведені нижче попередження.

- Не запускайте виріб, якщо на ньому залишилося пальне або моторна олива. Приберіть непотрібне пальне / оливу та дайте виробу просохнути.

- Якщо ви пролили пальне на свій одяг, негайно передягніться.
- Не допускайте потрапляння пального на тіло, адже це може призвести до травм. Для видалення пального, що потрапило на тіло, використовуйте мило та воду.
- Не запускайте виріб у разі наявності протікання у двигуні. Регулярно перевіряйте двигун на протікання.
- Будьте обережні з палим. Пальне є легкозаймистою речовиною, а його пари вибухонебезпечні та можуть призвести до травм або смерті.
- Не вдихайте вихлопні гази, це може призвести до травм. Забезпечте належне провітрювання.
- Не паліть біля пального або двигуна.
- Не кладіть біля пального або двигуна теплі предмети.
- Не доливайте пальне, коли двигун працює.
- Перед заправленням переконайтеся, що двигун охолонув.
- Перед заправленням повільно відкрийте кришку паливного бака, обережно зменшивши тиск.
- Не заправляйте виріб у приміщенні. Недостатнє провітрювання може призвести до травм або смерті внаслідок задухи чи отруєння монооксидом вуглецю.
- Затягніть до упору кришку паливного бака. Якщо кришку паливного бака не затягнуто, існує ризик виникнення пожежі.
- Перед запуском пересуньте виріб щонайменше на 3 м від місця, де ви заправляли його.
- Не заповнюйте паливний бак повністю. Під впливом високої температури паливо розширюється. Залиште трохи вільного місця вгорі паливного бака.
- Ніколи не зберігайте виріб із паливом у паливному баку в приміщенні, де є джерела запалювання, наприклад водонагрівачі, обігрівачі, сушарки для одягу тощо. Дайте двигуну охолонути, перш ніж ставити машину на зберігання в закриті приміщення.

Правила техніки безпеки під час обслуговування



ПОПЕРЕДЖЕННЯ: Перш ніж розпочати використання виробу, уважно прочитайте наведені нижче попередження.

- Вихлопні гази з двигуна містять монооксид вуглецю, отруйний та дуже небезпечний газ без запаху. Забороняється заводити виріб у приміщенні чи в замкнутому просторі.
- Перед тим, як почати технічне обслуговування виробу, вимкніть двигун та від'єднайте провід запалювання від свічки запалювання. На моделі LB 244E також необхідно виймати акумулятор.
- Під час технічного обслуговування різального обладнання використовуйте захисні рукавиці. Лезо дуже гостре, ним можна легко порізатися.
- Встановлення аксесуарів, виготовлених не виробником, або внесення змін, не затверджених ним, може призвести до серйозної травми чи смерті. Вносити зміни в виріб забороняється. Використовуйте лише сертифіковані виробником аксесуари.
- Якщо не проводити правильне та регулярне технічне обслуговування, виникає небезпека травм та пошкодження виробу.
- Виконуйте технічне обслуговування лише так, як це наведено в цьому посібнику користувача. Будь-які інші види обслуговування повинні проводитися в авторизованому центрі обслуговування Husqvarna.
- Регулярне обслуговування виробу може проводити авторизований центр обслуговування Husqvarna.
- Замінюйте пошкоджені, зношені або зламані деталі.

Збирання

Вступ



ПОПЕРЕДЖЕННЯ: Перед монтажем виробу обов'язково прочитайте й усвідомте зміст розділу про заходи безпеки.



ПОПЕРЕДЖЕННЯ: Перед збиранням виробу необхідно від'єднати кабель від свічки запалювання.

Монтаж ручки

1. Відтягуйте ручку назад до упору. (Мал. 20)
2. Затягніть фіксувальні головки ручки. (Мал. 21)

Налаштування висоти ручки

1. Переконайтеся, що регулятор висоти вставлено в паз. Натисніть ногою на регулятор висоти, якщо він не вставлений у паз. (Мал. 22)
2. Втисніть ногою регулятор висоти.
3. Переведіть рукоятку в потрібне положення, а потім відпустіть її. (Мал. 23)

Експлуатація

Вступ



ПОПЕРЕДЖЕННЯ: Перед експлуатацією виробу обов'язково прочитайте й усвідомте зміст розділу про заходи безпеки.

Husqvarna Connect

Husqvarna Connect є безкоштовною програмою для мобільного пристрою. У програмі Husqvarna Connect доступна ціла низка розширених функцій для користування Husqvarna:

- розширена інформація про виріб;
- відомості про деталі й обслуговування виробу, а також довідкова інформація.

Щоб почати користуватися Husqvarna Connect

1. Завантажте програму Husqvarna Connect на свій мобільний пристрій.
2. Зареєструйтеся в програмі Husqvarna Connect.
3. Виконайте кроки з реєстрації в програмі Husqvarna Connect, щоб під'єднати та зареєструвати виріб.

Перед початком роботи з виробом

1. Уважно прочитайте посібник користувача та переконайтеся, що ви зрозуміли всі вказівки.
2. Огляньте різальне обладнання та переконайтеся, що воно правильно встановлено та налаштовано. Див. *Перевірка різального обладнання на сторінці 412*.
3. Перевірте рівень оливи та додайте її у двигун, якщо потрібно. Див. *Перевірка рівня оливи на сторінці 412*.
4. Наповніть паливний бак. Див. *Заправлення паливом на сторінці 409*.

Заправлення паливом

Якщо є можливість, використовуйте бензин із низьким рівнем викидів / алкілатне паливо. Якщо можливості використовувати бензин із низьким рівнем викидів / алкілатне паливо немає, використовуйте якісний неетилований бензин або етилований бензин з октановим числом не менше 91.



УВАГА: Не використовуйте бензин з октановим числом менше 91 RON. Це може призвести до пошкодження виробу.



УВАГА: Замінюйте паливний фільтр щорічно або частіше, якщо необхідно. Новий паливний фільтр можна придбати в дилера Husqvarna.



УВАГА: Перед заливанням палива завжди зупиняйте двигун.



УВАГА: Не використовуйте рідину для запуску двигуна під тиском.

1. Повільно відкрутіть кришку паливного бака, щоб скинути тиск.
2. Повільно залийте пальне з канистри. У разі проливання пального витріть його ганчіркою або дайте йому висохнути. (Мал. 24)
3. Витріть поверхню біля кришки паливного бака.
4. Затягніть до упору кришку паливного бака. Якщо кришку паливного бака не затягнуто, існує ризик виникнення пожежі.
5. Перед запуском пересуньте виріб щонайменше на 3 м від місця, де ви заправляли його.

Установлення виробу в положення для експлуатування

1. Монтаж ручки. Дивіться розділ *Монтаж ручки на сторінці 408*.
2. Відрегулюйте висоту ручки. Дивіться розділ *Налаштування висоти ручки на сторінці 408*.



УВАГА: Переконайтеся, що кабелі натягнуто не занадто. Надмірне натягнення може призвести до пошкодження кабелю під час складання ручки в положення для транспортування.



ПОПЕРЕДЖЕННЯ: Не використовуйте виріб, якщо ручка не складена повністю та не встановлена в одне з відповідних положень висоти. Дивіться розділ *Налаштування висоти ручки на сторінці 408*.

Налаштування висоти скошування

Можна встановити шість різних рівнів висоти різання.

1. Зупиніть двигун.
2. Щоб збільшити висоту різання, потягніть важіль регулювання висоти різання назад. (Мал. 25)

- Щоб зменшити висоту різання, потягніть важіль регулювання висоти різання вперед.



УВАГА: Не встановлюйте замалу висоту різання. Леза можуть зачепити землю, якщо поверхня газону буде нерівною.

- Натисніть і втримуйте кнопку електричного запуску (B) протягом 3–5 секунд. Двигун запуститься.

Зверніть увагу: Якщо двигун не запуститься, зачекайте 1 хвилину та спробуйте його запустити знову.

Увімкнення виробу

- Переконайтеся, що дрят запалювання під'єднаний до свічки запалювання.

Ручний запуск (LB 144)

- Залишайтеся позаду виробу.
- Утримуйте ручку зупинення двигуна біля верхньої ручки (Мал. 26)
- Утримуйте ручку троса стартера правою рукою.
- Повільно потягніть ручку троса стартера доки не відчуєте певний опір.
- Сильно потягніть, щоб запустити двигун.



ПОПЕРЕДЖЕННЯ: Не намотуйте трос стартера на руку.

Електричний запуск (LB 244E)

- Переконайтеся, що акумулятор заряджений. Дивіться розділ *Обслуговування акумулятора (LB 244E) на сторінці 413.*
- Установіть акумулятор на двигун. Коли почується клацання, акумулятор буде зафіксовано. (Мал. 27)
- Сійте позаду виробу й утримуйте ручку зупинення двигуна (A) біля верхньої ручки. (Мал. 28)

Зупинка виробу

- Щоб зупинити двигун, необхідно відпустити ручку зупинення двигуна.

Виймання акумулятора (LB 244E)

Щоб запобігти випадковому запуску двигуна, коли виріб не використовується, знімайте акумулятор.

- Натисніть на кнопку блокування (A) і потягніть акумулятор прямо вгору. (Мал. 29)

Забезпечення ефективної роботи

- Завжди користуйтеся гострим лезом. Тупе лезо ріже нерівно, а трава на поверхні розрізу жовтіє. Крім того, гостре лезо споживає менше енергії за тупе.
- Не скошуйте більше $\frac{1}{3}$ довжини трави. Спочатку треба виконувати скошування з великою висотою різання. Оцініть результат і зменште висоту зрізання на потрібну вам. Якщо трава дуже довга, ведіть газонокосарку повільно і виконайте скошування двічі, якщо це необхідно.
- Косіть щоразу в різних напрямках, щоб на газоні не було смуг.
- Тримайте кожух леза в чистоті. Скупчення трави й бруду на внутрішньому боці кожуха леза може негативно вплинути на результат роботи. Див. *Чищення внутрішніх поверхонь кожуха леза на сторінці 411.*

ТЕХНІЧНЕ ОБСЛУГОВУВАННЯ

Вступ



ПОПЕРЕДЖЕННЯ: Перед виконанням робіт із технічного обслуговування обов'язково прочитайте й усвідомте зміст розділу про заходи безпеки.

Для всіх робіт з обслуговування та ремонту необхідна спеціальна підготовка. Ми гарантуємо доступність послуг із професійного ремонту та обслуговування. Якщо ваш дилер не є агентом з обслуговування, зверніться до нього по інформацію щодо найближчого центру обслуговування.

Для отримання більш детальної інформації див. www.husqvarna.com.

Графік технічного обслуговування



УВАГА: У разі нахилання виробу переконайтеся, що повітряний фільтр розташований зверху й не направлений у бік землі. Ризик пошкодження двигуна.



УВАГА: У разі використання моделей з електричним запуском перед виконанням їхнього технічного обслуговування, ремонту або чищення необхідно завжди знімати акумулятор.

Інтервали технічного обслуговування зазначено з урахуванням щоденного використання виробу. Інтервали змінюються для іншої частоти використання виробу.

Вказівки щодо технічного обслуговування елементів, позначених зірочкою (*), дивіться в розділі *Запобіжне обладнання на виробі на сторінці 407*.

Технічне обслуговування	Щодня	Щомісяця	Кожного сезону
Загальна перевірка	X		
Перевірка рівня оливи	X		
Заміна оливи (уперше через 5 годин експлуатації, далі — кожні 50 годин експлуатації) ¹⁸³			X
Очищення виробу	X		
Очищення зони навколо регулятора висоти рукоятки.	X		
Перевірка різального обладнання	X		
Перевірка кожуха леза*	X		
Перевірка ручки зупинення двигуна*	X		
Перевірка глушника*		X	
Перевірка свічки запалювання. У разі необхідності почистьте чи замініть свічку запалювання.			X
Перевірка повітряного фільтра	X		
Почистьте повітряний фільтр ¹⁸⁴		X	
Замініть повітряний фільтр			X
Перевірка паливної системи			X
Почистьте ребра охолодження на циліндрі.		X	

Процедура загальної перевірки

- Переконайтеся, що всі гайки й гвинти на виробі затягнуто відповідним чином.

Чищення зовнішніх поверхонь виробу

- Прибирайте листя, траву та бруд за допомогою щітки.
- Переконайтеся, що всмоктувач повітря зверху двигуна не заблокований.
- Для чищення виробу не використовуйте миючий апарат високого тиску.
- У разі використання води для чищення виробу, забороняється лити її безпосередньо на двигун.

Чищення області навколо регулятора висоти рукоятки

- Видаляйте листя, траву та бруд за допомогою щітки. (Мал. 30)

Чищення внутрішніх поверхонь кожуха леза

1. Вилийте паливо з паливного бака.
2. Нахиліть виріб. Упевніться, що свічка запалювання спрямована вгору.



УВАГА: Якщо покласти виріб повітряним фільтром донизу, може виникнути ризик пошкодження двигуна.

¹⁸³ Якщо виріб працює за значного навантаження чи за високої температури навколишнього середовища, замінійте моторну оливу кожні 25 годин.

¹⁸⁴ У разі експлуатації в умовах запиленості чи за наявності викидів у повітрі виконуйте чищення частіше. Якщо повітряний фільтр дуже брудний, замініть його.

- Промийте водою зі шлангу внутрішню поверхню кожуха леза.

Перевірка різального обладнання



ПОПЕРЕДЖЕННЯ: Зніміть провід запалювання зі свічки запалювання, щоб попередити ненавмисний запуск.



ПОПЕРЕДЖЕННЯ: Під час технічного обслуговування різального обладнання використовуйте захисні рукавиці. Лезо дуже гостре, ним можна легко порізатися.

- Перевірте різальне обладнання на наявність пошкоджень або тріщин. Обов'язково замінійте пошкоджене різальне обладнання.
- Огляньте лезо на предмет пошкоджень або затуплення.

Зверніть увагу: Після гостріння леза необхідно відрегулювати його баланс. Гостріння, заміну та балансування леза необхідно проводити в центрі обслуговування. У разі потрапляння на перешкоду, що призвела до зупинки двигуна, замініть пошкоджене лезо. Спеціалісти центру обслуговування мають провести оцінювання стану леза та надати консультацію щодо необхідності його гостріння або заміни.

Заміна ножа

- Зафіксуйте лезо дерев'яним брусом. (Мал. 31)
- Зніміть болт фіксації леза й пружинну шайбу.
- Зніміть лезо.
- Перевірте опору леза й болт на наявність пошкоджень.
- Перевірте, чи не погнутий вал двигуна.
- Під час встановлення нового леза спрямовуйте розміщені під кутом кінці в напрямку кожуха леза. (Мал. 32)
- Переконайтеся, що лезо розташоване на одному рівні із центром вала двигуна.
- Зафіксуйте лезо дерев'яним брусом. Установіть пружинну шайбу й затягніть болт і шайбу з моментом 44-46 Н·м. (Мал. 33)
- Прокрутіть лезо рукою й переконайтеся в тому, що воно вільно обертається.



ПОПЕРЕДЖЕННЯ: Використовуйте міцні робочі рукавиці. Лезо дуже гостре, ним можна легко порізатися.

- Запустіть виріб, щоб перевірити роботу леза. У разі неправильного встановлення леза у виріб буде спостерігатися вібрація або результат скошування буде незадовільним.

Перевірка рівня оливи



УВАГА: Занадто низький рівень оливи може спричинити пошкодження двигуна. Перед запуском виробу необхідно перевіряти рівень оливи.

- Установіть виріб на рівній поверхні.
- Зніміть кришку бака для оливи та під'єднаний вимірювальний стрижень.
- Усуньте оливу з вимірювального стрижня.
- Повністю вставте вимірювальний стрижень у бак для оливи.
 - Не закривайте кришку бака для оливи на моделях LB 144.
 - Закрийте кришку бака для оливи на моделі LB 244E.
- Зніміть кришку бака для оливи й вимірювальний стрижень.
- Перевірте рівень оливи на під'єднаному вимірювальному стрижні.
- Якщо рівень оливи занижений, залийте моторну оливу й перевірте рівень ще раз. (Мал. 34)

Зверніть увагу: Для запобігання проливання скористайтеся лійкою.

- Коли рівень оливи буде правильним, встановіть кришку бака для оливи.

Заміна моторної оливи



ПОПЕРЕДЖЕННЯ: Відразу після зупинки двигуна моторна олива є дуже гарячою. Дайте двигуну охолонути, перш ніж зливати моторну оливу. Якщо моторна олива потрапить на шкіру, промийте цю ділянку водою з милом.

(Мал. 35)

- Запустіть виріб і дочекайтеся, коли запаси палива в баку буде вичерпано.
- Витягніть провід запалювання зі свічки запалювання.
- Зніміть кришку бака для оливи та під'єднаний вимірювальний стрижень.
- Підставте під виріб резервуар для збору моторної оливи.
- Нахиліть виріб або злийте моторну оливу з бака для оливи й насоса оливи (аксесуар).

6. Залийте свіжу моторну оливу рекомендованого в *Технічні характеристики на сторінці 417* типу.
7. Перевірте рівень оливи. Див. *Перевірка рівня оливи на сторінці 412*.
8. Коли рівень оливи буде правильним, встановіть кришку бака для оливи.

Повітряний фільтр

Брудний повітряний фільтр може призвести до пошкодження двигуна або його неправильної роботи. У разі експлуатації в умовах запиленості виконуйте обслуговування повітряного фільтра частіше. Дивіться розділ *Графік технічного обслуговування на сторінці 410* щодо інформації стосовно інтервалів заміни повітряного фільтра.

Зверніть увагу: Пошкоджений повітряний фільтр обов'язково потрібно замінити.

Установлення й виймання повітряного фільтра (LB 244E)



ПОПЕРЕДЖЕННЯ:

Використовуйте захисні рукавички.

1. Натисніть на затискачі кришки повітряного фільтра.
2. Обережно вийміть кришку повітряного фільтра (А) з двигуна.
3. Вийміть повітряний фільтр (В). (Мал. 36)
4. Перевірте повітряний фільтр на наявність пошкоджень. Пошкоджений повітряний фільтр необхідно замінювати.
5. Почистьте й перевірте повітряний фільтр. Див. *Очищення повітряного фільтра (LB 244E) на сторінці 413*.
6. Для встановлення виконайте вказівки вище у зворотному порядку.

Очищення повітряного фільтра (LB 244E)

Брудний повітряний фільтр може призвести до пошкодження двигуна або його неправильної роботи. В умовах запиленості виконуйте технічне обслуговування повітряного фільтра частіше.

Дивіться розділ *Графік технічного обслуговування на сторінці 410* щодо інформації стосовно інтервалів заміни повітряного фільтра.

1. Зніміть кришку повітряного фільтра та витягніть його.
2. Для очищення фільтра постукайте ним по пласкій поверхні. Не використовуйте розчинник із вмістом нафти, газу або стиснене повітря для очищення фільтра.

Зверніть увагу: Повітряні фільтри, які працюють протягом тривалого часу, неможливо очистити повністю. Регулярно замінюйте повітряний фільтр. Пошкоджені повітряні фільтри необхідно замінювати.

3. Під час установлення повітряного фільтра переконайтеся, що він щільно прилягає до тримача фільтра.

Очищення поролонового фільтра (LB 144)



УВАГА: Не запускайте двигун без установлених повітряних фільтрів. Якщо повітря буде брудним, двигун більше зношуватиметься.

1. Зніміть кришку повітряного фільтра (А). (Мал. 37)
2. Вийміть поролонові фільтри (В).



УВАГА: Перевірте поролонові фільтри на наявність пошкоджень або зносу. Замініть усі пошкоджені поролонові фільтри.

3. Промийте поролонові фільтри водою з милом.
4. Промийте поролонові фільтри чистою водою.
5. Видавіть воду з поролонових фільтрів і дайте їм просохнути.



УВАГА: Не використовуйте стиснене повітря. Воно може пошкодити поролоновий фільтр.

6. Змастіть поролонові фільтри моторною оливою.
7. Промокніть поролонові фільтри чистою тканиною, щоб прибрати зайву оливу.
8. Установіть поролонові фільтри. Переконайтеся, що поролонові фільтри щільно прилягають до тримача повітряного фільтра.
9. Установіть кришку повітряного фільтра.

Обслуговування акумулятора (LB 244E)

Акумулятор не потребує обслуговування. Якщо акумулятор потребує обслуговування, виконувати його можуть лише співробітники сертифікованого сервісного центру.

Перше використання акумулятора (LB 244E)



УВАГА: Не давайте акумулятору повністю розряджатися. Повне розрядження акумулятора може призвести до його пошкодження.

Перед першим використанням акумулятор необхідно зарядити.

1. Під'єднайте зарядний пристрій до акумулятора, як описано в розділі *Зарядження акумулятора (LB 244E) на сторінці 414*.
2. Зачекайте, доки ввімкнеться хоча б один зелений світлодіод.
3. Прикріпіть акумулятор до двигуна, як описано в розділі *Електричний запуск (LB 244E) на сторінці 410*.

Зарядження акумулятора (LB 244E)

Якщо на акумуляторі горить всього один світлодіод або світлодіоди взагалі не горять, їх необхідно зарядити. Розряджений акумулятор повністю заряджається протягом двох годин. Зарядження протягом менших проміжків часу не завдає шкоди акумулятору.

1. Під'єднайте зарядний пристрій до акумулятора. (Мал. 38)
2. Під'єднайте зарядний пристрій до розетки електромережі 100–240 В, 50–60 Гц.
3. Спочатку від'єднайте зарядний пристрій від розетки, а потім від акумулятора.

Стан зарядження акумулятора

Світлодіодний індикатор на акумуляторі	Стан
Світлодіодний індикатор 1 блимає червоним.	1–9 %
Світлодіодний індикатор 1 горить червоним.	10–32 %
Світлодіодний індикатор 1 горить зеленим, а світлодіодний індикатор 2 горить червоним.	33–54 %
Світлодіодні індикатори 1 і 2 горять зеленим, а світлодіодний індикатор 3 горить червоним.	55–77 %
Світлодіодні індикатори 1, 2 й 3 горять зеленим, а світлодіодний індикатор 4 горить червоним.	78–100 %

Ламповий індикатор на зарядному пристрої	Стан
Горить червоним	Акумулятор заряджається.
Горить зеленим	Акумулятор повністю заряджено.

Перевірка свічки запалювання



УВАГА: Завжди користуйтеся рекомендованими свічками запалювання. Неправильний тип свічки запалювання може призвести до пошкодження виробу.

- Якщо двигун втрачає потужність, його важко запустити або він погано працює на холостому ході, необхідно перевірити свічку запалювання.
- Щоб зменшити ризик потрапляння зайвих предметів на електроди свічки запалювання, дотримуйтеся таких інструкцій:
 - a) переконайтеся, що швидкість холостого ходу налаштовано правильно;
 - b) переконайтеся в правильності змішування паливної суміші;
 - c) переконайтеся, що повітряний фільтр чистий.
- Якщо свічка запалювання забруднена, її слід очистити та переконаватися в тому, що між електродами встановлено правильний проміжок (див.). *Технічні характеристики на сторінці 417*. (Мал. 39)
- За необхідності замініть свічку запалювання.

Перевірка паливної системи

- Перевірте кришку паливного бака та її ущільнювач на предмет пошкоджень.
- Перевірте шланг подачі пального на предмет протікань. У разі пошкодження шланга подачі пального замініть його в центрі обслуговування.

Спорожнення паливного бака

1. Поставте контейнер під паливний бак.
2. Зніміть кришку паливного бака.
3. Встановіть хомути кріплення паливного шланга на карбюраторі.
4. Вийміть паливний шланг із карбюратора.
5. Вставте шланг паливного бака в контейнер і зніміть хомути кріплення шланга.
6. Нахиліть виріб і злийте моторну оливу в контейнер.

Заміна паливного фільтра



ПОПЕРЕДЖЕННЯ:
Використовуйте захисні рукавиці.

1. Спорожніть паливний бак.
2. Зніміть хомут кріплення шланга з паливного бака. (Мал. 40)
3. Зніміть паливний шланг із паливного бака. Може вилитися невелика кількість палива. (Мал. 41)

4. Зніміть паливний фільтр із паливного бака. (Мал. 42)
5. Встановіть новий паливний фільтр у паливний бак.
6. Під'єднайте паливний шланг до паливного бака.
7. Вставте хомут кріплення шланга у паливний бак.

Усунення несправностей двигуна

Несправність	Можлива причина	Вирішення
Двигун не запускається.	Дріт запалювання під'єднано неправильно.	Під'єднайте дріт запалювання до свічки запалювання.
	Паливний бак порожній.	Залийте до паливного бака (А) паливо правильного типу.
	Паливо занадто старе.	Спорожніть паливний бак і карбюратор. Заповніть їх бензином.
	Бруд у карбюраторі або паливній лінії.	Прочистьте карбюратор і / або паливопровід.
	Пошкоджена свічка запалювання.	Відрегулюйте проміжок між електродами, прочистьте чи замініть свічку запалювання.
	Паливо на свічці запалювання.	Почистьте свічку запалювання.
Двигун не зупиняється.	Механізм зупинки не працює належним чином.	Від'єднайте дріт запалювання від свічки запалювання. Віддайте виріб до авторизованого центру обслуговування для ремонту.
Двигун працює не плавно.	Дріт запалювання під'єднано неправильно.	Під'єднайте дріт запалювання до свічки запалювання.
	У паливопроводі накопичився бруд, або пальне зіссувалося.	Прочистьте паливопровід. Заповніть паливний бак новим пальним належного типу.
	Кришка паливного бака забилася.	Прочистьте кришку паливного бака.
	У паливній системі є вода чи бруд.	Спорожніть паливний бак. Заповніть паливний бак новим пальним належного типу.
	Засмічено повітряний фільтр.	Очистьте повітряний фільтр.
	Необхідно відрегулювати карбюратор.	Передайте виріб до авторизованого центру обслуговування для регулювання карбюратора.
Двигун перегрівається.	Занизький рівень моторної оливи.	Заправте двигун оливою.
	Недостатній потік повітря.	Прочистьте повітряний фільтр і корпус повітряного фільтра.
	Необхідно відрегулювати карбюратор.	Передайте виріб до авторизованого центру обслуговування для регулювання карбюратора.
На високій швидкості у двигуна починаються перебої із запалюванням.	Проміжок між електродами у свічці запалювання замалий.	Налаштуйте проміжок між електродами.

Несправність	Можлива причина	Вирішення
Незвичні шуми двигуна під час звичайного навантаження.	Неправильний тип бензину.	Спорожніть паливний бак і карбюратор. Заповніть їх бензином. Дивіться розділ <i>Перевірка паливної системи на сторінці 414</i> . Якщо проблему не вдалося усунути, зверніться до місцевого дилера з обслуговуванням.
На холостому ході двигун працює не плавно.	Свічка запалювання забруднена чи пошкоджена, або занадто великий проміжок між електродами.	Відрегулюйте проміжок або замініть свічку запалювання.
	Необхідно відрегулювати карбюратор.	Відрегулюйте карбюратор.
	Засмічено повітряний фільтр.	Очистьте повітряний фільтр.

Транспортування, зберігання й утилізація

Транспортування та зберігання

- У разі транспортування та зберігання виробу та пального необхідно переконатися у відсутності протікань та випарів. Іскри або відкритий вогонь, наприклад, від електричних пристроїв, можуть спричинити пожежу.
- Для зберігання та транспортування палива слід використовувати лише сертифіковані резервуари.
- Спорожніть паливний бак у разі, якщо виріб зберігатиметься протягом тривалого часу. Утилізуйте паливо у відповідних місцях для утилізації.
- Під час транспортування закріплюйте виріб безпечним чином, щоб уникнути пошкоджень та нещасних випадків.
- Зберігайте виріб у закритому приміщенні, куди не зможуть отримати доступ діти та особи без належної підготовки.
- Зберігайте виріб у сухому місці за температури нижче 0 градусів.
- Щоб уникнути пошкодження акумулятора, заряджайте його один раз кожні 3 місяці.
- Акумулятор і зарядний пристрій слід зберігати за температури від 5 °C до 40 °C. Більш висока температура або джерела високої температури, наприклад вогонь, можуть пошкодити акумулятор.
- Не розбирайте акумулятор.
- Не занурюйте акумулятор повністю у воду. Зберігайте акумулятор у прохолодному, сухому, добре провітрюваному приміщенні.
- Якщо від акумулятора чимось тхне, він дуже нагрівається або нагрівання спричиняє його деформацію під час використання, зберігання або заряджання, вийміть акумулятор і не використовуйте його.
- Щоб уникнути пошкодження акумулятора або зарядного пристрою під час транспортування, їх має бути закріплено.
- Переконайтеся, що зарядний пристрій не нагрівається занадто сильно.

Установлення виробу в положення для транспортування

- Відпустіть фіксувальні головки ручки. (Мал. 43)
- Складіть ручку вперед у кінцеве положення. (Мал. 44)

Транспортування та зберігання акумулятора й зарядного пристрою

- Не виймайте акумулятор, доки виріб не зупиниться та не охолоне. Щоб вийняти акумулятор, натисніть і втримуйте кнопку зверху акумулятора та вийміть його з відсіку.
- Якщо термін зберігання становитиме більше 30 днів, заряджайте акумулятор, доки на ньому не горітимуть більше 3 зелених індикаторів.

Утилізація

- Виконуйте місцеві вимоги та відповідні норми та правила щодо утилізації.
- Утилізуйте всі хімічні речовини на кшталт моторної оливи або антифризу в центрі обслуговування або у відповідних місцях для утилізації.
- Якщо виріб більше не використовується, відправте його дилеру Husqvarna або утилізуйте у відповідному місці для утилізації.
- Акумулятор необхідно утилізувати в центрі обслуговування або в спеціальному місці для утилізації відпрацьованих акумуляторів.

Технічні характеристики

Технічні характеристики

	LB 144	LB 244E
Двигун		
Бренд	Husqvarna	Husqvarna
Модель	HS 123A	HS 139AE
Тип двигуна	Одноциліндровий, 4-тактний, примусове повітряне охолодження, клапан розташований зверху	Одноциліндровий, 4-тактний, примусове повітряне охолодження, клапан розташований зверху
Об'єм, см ³	123	139
Число обертів двигуна – номінально, об/хв	3000/хв	2900/хв
Номінальна потужність двигуна, кВт ¹⁸⁵	1,95	2,2
Система запалювання		
Свічка запалювання	Husqvarna HQT-7	Husqvarna HQT-7
Проміжок між електродами, мм	0,7–0,8	0,7–0,8
Паливна система й система змащування		
Тип змащування двигуна	Бризкання	Бризкання
Місткість паливного бака, л	0,9	0,9
Місткість бака для мастила, л	0,5	0,5
Моторна олива ¹⁸⁶	Husqvarna SAE 30, Husqvarna SAE 5W-30 синтетична, Husqvarna SAE 10W-40	Husqvarna SAE 30, Husqvarna SAE 5W-30 синтетична, Husqvarna SAE 10W-40
Маса		
Маса з порожніми баками, кг	22	23,5
Випромінювання шуму¹⁸⁷		
Рівень звукової потужності, дБ (A)	91	92

¹⁸⁵ Указана номінальна потужність двигуна є середньою кінцевою потужністю (за вказаного числа обертів на хвилину) типового серійного двигуна для цієї моделі, виміряною згідно зі стандартом SAE J1349/ISO1585. Потужність серійних двигунів може відрізнятися від цього значення. Фактична вихідна потужність двигуна, установленного у виробі, залежить від робочої швидкості, умов навколишнього середовища та інших факторів.

¹⁸⁶ Використовуйте моторну оливу класу API SJ або вище. У разі використання оливи SAE-30 за температури нижче +5 °C існує ризик недостатнього змащування двигуна. Це може призвести до пошкодження двигуна. Див. *Заміна моторної оливи на сторінці 412* для отримання відомостей щодо оливи, яку слід використовувати за низьких температур. Ознайомтеся з таблицею в'язкості в посібнику користувача двигуна (якщо він входить до комплекту) та виберіть оптимальну в'язкість залежно від очікуваної зовнішньої температури.

¹⁸⁷ Випромінювання шуму в середовище, виміряне як звукова потужність (L_{WA}), відповідає директиві ЄС 2000/14/ЄС.

	LB 144	LB 244E
Гарантований рівень звукової потужності, L_{WA} дБ(А)	94	94
Рівні звуку ¹⁸⁸		
Рівень звукового тиску у вусі оператора, дБ(А)	79	80
Рівні вібрації ¹⁸⁹		
Вібрація верхньої ручки, m/s^2	7,6	6,0
Різальне обладнання		
Висота зрізання, мм	25–75	25–75
Ширина зрізання, мм	440	440
Система скошування	Bioclip®	Bioclip®
Стандартне лезо	Mulch 5464584-10	Mulch 5464584-10
Система запуску		
Електричний стартер	Ні	Так
Акумулятор	-	Літій-іонний, 10,8 В, 21,6 Вт-год

¹⁸⁸ Заявлені дані про рівень звукового тиску мають стандартну статистичну розбіжність (стандартне відхилення) у 1,2 дБ(А).

¹⁸⁹ Заявлені дані щодо рівня вібрації мають стандартну статистичну розбіжність (стандартне відхилення) у 0,2 m/s^2 .

Декларація відповідності

Декларація відповідності ЄС

Ми, компанія **Husqvarna AB**, SE-561 82 Huskvarna, Швеція, тел.: +46-36-146500, заявляємо під свою виключну відповідальність, що представлений виріб:

Опис	Газонокосарка
Бренд	Husqvarna
Тип / модель	LB 144, LB 244E
Ідентифікація	Серійні номери за 2023 рік і пізніше

повністю відповідає таким директивам і нормам ЄС:

Норма	Опис
2006/42/EC	«Про механічне обладнання»
2014/30/EU	«Про електромагнітну сумісність»
2000/14/EC	«Про виділення шуму в навколишнє середовище»
2011/65/EU	«Про обмеження використання деяких небезпечних речовин в електричному й електронному обладнанні»

і що до нього застосовуються вказані далі узгоджені стандарти та/або технічні специфікації: EN ISO 5395-1:2013+A1:2018, EN ISO 5395-2:2013+A1:2016+A2:2017, EN IEC 63000:2018, EN ISO 14982:2009

Уповноважений орган: Компанія 0404, SMP Svensk Maskinprovning AB, Box 4053, SE-904 03 Umeå, Sweden підтвердила відповідність директиві ради ЄС 2000/14/EC, процедура оцінки відповідності: Додаток VI.

Відомості стосовно випромінювання шуму дивіться в розділі *Технічні характеристики на сторінці 417*.

Huskvarna, 2023-09-18



Клас Лосдал (Claes Losdal), директор із питань розвитку / продукції для садівництва, Husqvarna AB

Відповідальний за технічну документацію





www.husqvarna.com

Original instructions
Оригинални инструкции
Původní pokyny
Originale instruktioner
Originalanweisungen
Αρχικές οδηγίες
Instrucciones originales
Originaaljuhend
Alkuperäiset ohjeet

Instructions d'origine
Originalne upute
Eredeti útmutatás
Istruzioni originali
Originalios instrukcijos

Lietošanas pamācība
Originale instructies
Originale instruksjoner
Oryginalne instrukcje
Instruções originais
Instrucțiuni inițiale
Оригинальные инструкции
Původně pokyny
Izvirna navodila
Originalna uputstva
Bruksanvisning i original
Orijinal talimatlar
Оригинальні інструкції



FR

1143680-38



2024-11-14