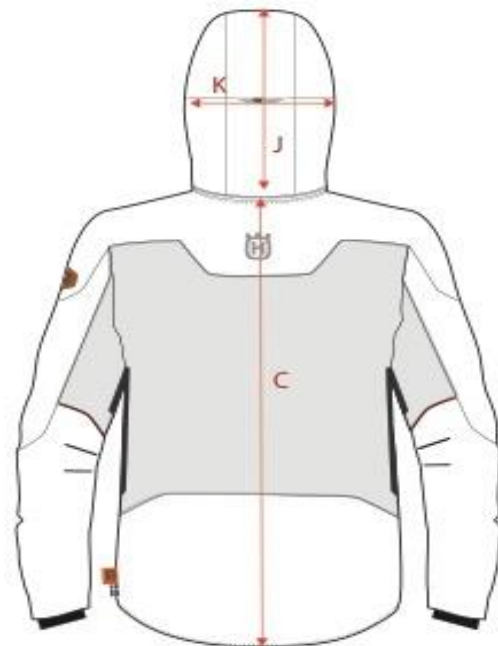
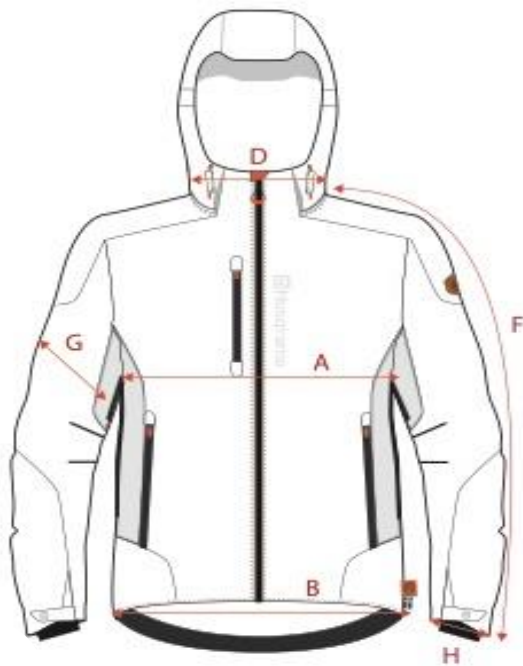
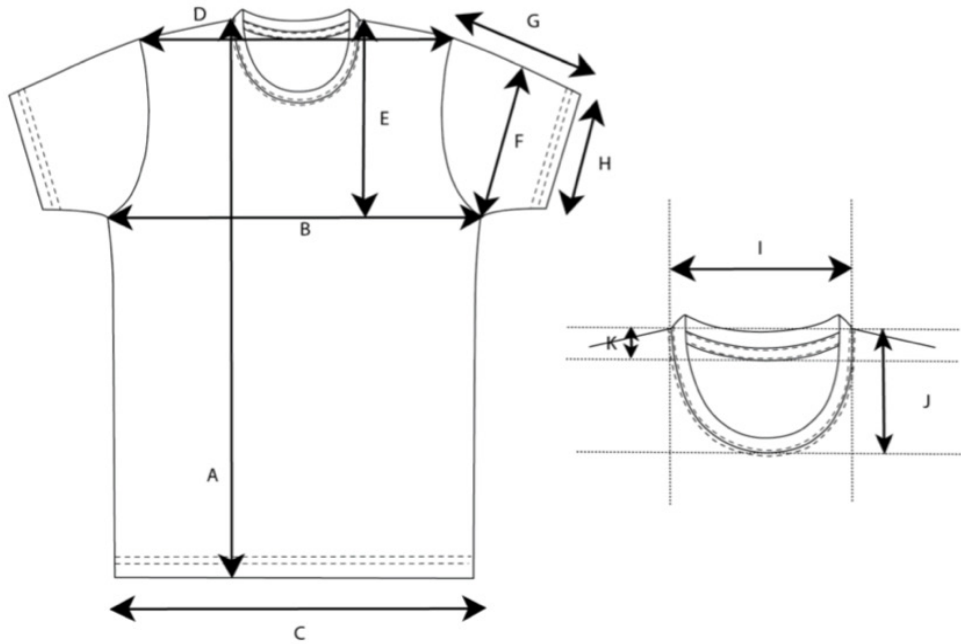
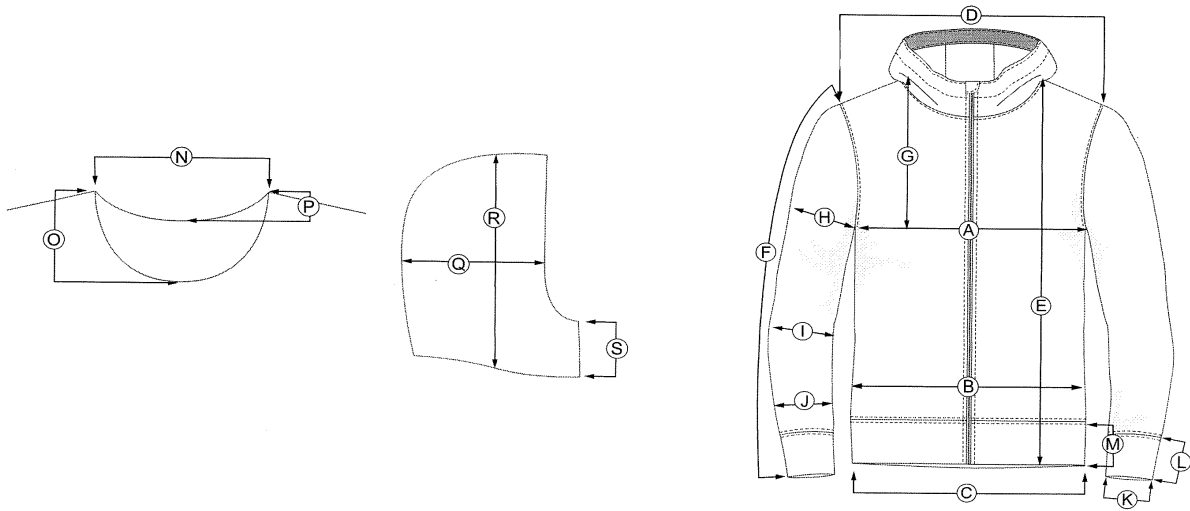


SIZE GUIDE



Husqvarna®
XPLORER

Size measure Xplorer Hoodie



UNISEX

		XS	S	M	L	XL	2XL
A	1/2 chest	49	52	55	58	62	66
B	1/2 bottom 6 cm above rib	44	47	50	53	57	61
C	1/2 bottom	39	42	45	48	52	56
D	Shoulder to shoulder	41	43	45	47	49	51
E	Body lenght from top to shoulder	65	67	69	71	73	75
F	Sleeve lenght from shoulder	64	65	66	67	68	69
G	Armhole depth from top of shoulder	24	25	26	27	28	29
H	1/2biceps	18	19	20	21	22	23
I	1/2 elbow at 1/2 seam	14,25	15	15,75	16,5	17,25	18
J	1/2 width 6 cm above cuff	13	13,5	14	14,5	15	15,5
K	1/2 sleeve opening	9	9,5	10	10,5	11	11,5
L	Sleeve cuff height	6	6	6	6	6	6
M	Bottom cuff height	6	6	6	6	6	6
N	Neck width	21	21,5	22	22,5	23	23,5
O	Front neck drop	8,5	9	9,5	10	10,5	11
P	Back neck drop	2	2	2	2	2	2
Q	Hood width at 1/2 heght	25	25,5	26	26,5	27	27,5
R	Hood height at shoulder	34,5	35	35,5	36	36,5	37
S	Hood Height at front	6,5	6,5	6,5	6,5	6,5	6,5

Size measure Xplorer Shell Jacket

Measure



MEN'S

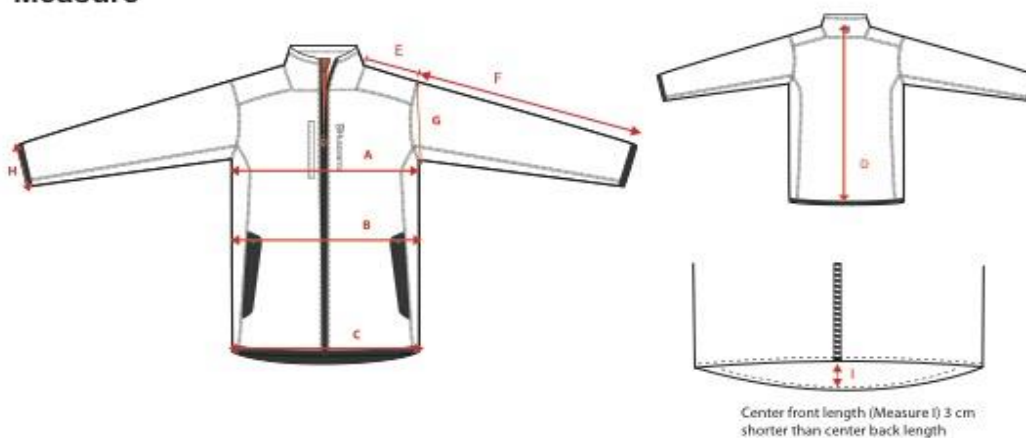
		S	M	L	XL	XXL
A	1/2 CHEST	51	54	57	60	62
B	1/2 BOTTOM	50	53	57	60	62
C	TOTAL LENGTH from C.B	74	77	80	82	84
D	NECK WIDTH	26,5	27,5	28	29	30
F	SLEEVE LENGTH (from shoulder to sleeve opening)	80	83	86	88	90
G	1/2 BICEP	22	23	24	25	26
H	1/2 SLEEVE OPENING	13,5	14	14,5	15	15
I	NECK HEIGHT	10,5	10,5	12,5	12,5	13,5
J	HOOD HEIGHT					
K	1/2 HOOD width					

WOMEN'S

		XS/34	S/36	M/38	L/40
A	1/2 CHEST 1/2	49	51	53	55
B	1/2 BOTTOM 1/2	51	53	55	57
C	TOTAL LENGTH from C.B	69	71	73	75
D	NECK WIDTH	22	22	23	24
F	SLEEVE LENGTH (from shoulder to sleeve opening)	73,5	75,5	77,5	79,5
G	1/2 BICEP 1/2	18	19	20	21
H	1/2 SLEEVE OPENING 1/2	12	12,5	13	13,5
I	NECK HEIGHT	9,5	9,5	9,5	11,5
J	HOOD HEIGHT				
K	1/2 HOOD width				

Size measure Xplorer Fleece Jacket

Measure



WOMEN'S

		XS/34	S/36	M/38	L/40
A	1/2 CHEST	47	50	52	54
B	1/2 WAIST updated	42,5	44,5	46,5	48,5
C	1/2 BOTTOM	44	46	48	50
D	CBL. NECK TO BOTTOM	62	65	68	70
E	SHOULDER	11	11,5	11,5	12,5
F	SLEEVE LENGTH	59	62	64	66
G	1/2 ARM HOLE	25	26	27	28
H	SLEEVE OPENING RELAXED	10	10	10,5	11
I	Center front length	3 cm shorter than back length for all sizes			



MEN'S

		S	M	L	XL	XXL
A	1/2 CHEST	53	55	57	60	63
C	1/2 BOTTOM	47	49	51	54	57
D	CBL. NECK TO BOTTOM	73	75	77	79	81
E	SHOULDER	13,5	14	15,5	16	16,5
F	SLEEVE LENGTH	62	64	66	68	70
G	1/2 ARM HOLE	26	27	28	29	30
H	SLEEVE OPENING RELAXED	10,5	11	11	12	12
I	Center front length	3 cm shorter than back length for all sizes				



Size measure Xplorer Fleece Vest



WOMEN'S

cm

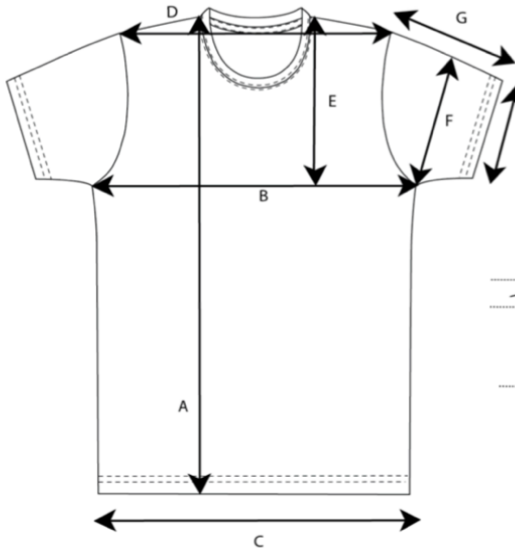
		XS/34	S/36	M/38	L/40
A	1/2 CHEST	47	50	52	54
B	1/2 WAIST updated	42,5	44,5	46,5	48,5
C	1/2 BOTTOM	44	46	48	50
D	CBL. NECK TO BOTTOM	62	65	68	70
E	SHOULDER	11	11,5	11,5	12,5
F	SLEEVE LENGTH	59	62	64	66
G	1/2 ARM HOLE	20	21	22	23
H	SLEEVE OPENING RELAXED	10	10	10,5	11
I	Center front length	3 cm shorter than back length for all sizes			

MEN'S

cm

		S	M	L	XL	XXL
A	1/2 CHEST	53	55	57	60	63
C	1/2 BOTTOM	47	49	51	54	57
D	CBL. NECK TO BOTTOM	73	75	77	79	81
E	SHOULDER	13,5	14	15,5	16	16,5
F	SLEEVE LENGTH	62	64	66	68	70
G	1/2 ARM HOLE	22	23	24	25	26
H	SLEEVE OPENING RELAXED	10,5	11	11	12	12
I	Center front length	3 cm shorter than back length for all sizes				

Size measure Xplorer Short sleeve t-shirt

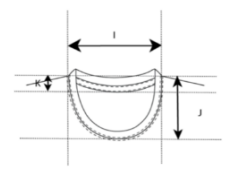
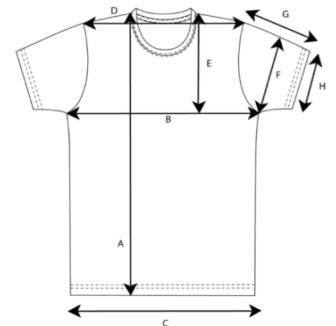


UNISEX

		XS	S	M	L	XL	2XL
A	Body Length	65	68	71	74	77	80,5
B	1/2 chest	44	48	52	56	60	66
C	1/2 bottom	44	48	52	56	60	66
D	Shoulder width	40	42	44	47	50	54
E	Armhole depth	26	27	28	29	30	31
F	1/2 biceps	20	21	22	23	24	25
G	1/2 Bottom sleeve width	15	16	17	18	19	20
H	Sleeve length	18	19	20	21	22	23
I	Neck width	18,5	18,5	19	19,5	20	20,5
J	Front neck drop	10	10	10,5	10,5	10,5	11
K	Back neck drop	2	2	2	2	2	2
L	Collar height	1,5	1,5	1,5	1,5	1,5	1,5
M	Hem height	2,5	2,5	2,5	2,5	2,5	2,5

WOMEN'S

		XS	S	M	L
A	Body Length	60	62	64	66
B	1/2 chest	41	44	47	51
C	1/2 bottom	42	45	48	52
D	Shoulder width	36	38	40	43
E	Armhole depth	22	23	24	25
F	1/2 biceps	17	18	19	20
G	1/2 Bottom sleeve width	13,5	14,5	15,5	16,5
H	Sleeve length	15	16	17	18
I	Neck width	18,5	19	19,5	20
J	Front neck drop	10,5	10,5	11	11,5
K	Back neck drop	2	2	2	2
L	Collar height	1,5	1,5	1,5	1,5
M	Hem height	2,5	2,5	2,5	2,5
N	HPS to waist	40	41	42	43
O	1/2 waist	37	40	43	47



Size measure Xplorer Long Sleeve t-shirt



UNISEX

cm

		XS	S	M	L	XL	2XL
A	Body Length	65	68	71	74	77	80,5
B	1/2 chest	44	48	52	56	60	66
C	1/2 bottom	44	48	52	56	60	66
D	Shoulder width	40	42	44	47	50	54
E	Armhole depth	26	27	28	29	30	31
F	1/2biceps	20	21	22	23	24	25
G	1/2 Bottom sleeve width	15	16	17	18	19	20
H	Long sleeve length	59	60,5	62	63,5	65	67
I	Neck width	18,5	18,5	19	19,5	20	20,5
J	Front neck drop	10	10	10,5	10,5	10,5	11
K	Back neck drop	2	2	2	2	2	2
L	Collar height	1,5	1,5	1,5	1,5	1,5	1,5
M	Hem height	2,5	2,5	2,5	2,5	2,5	2,5